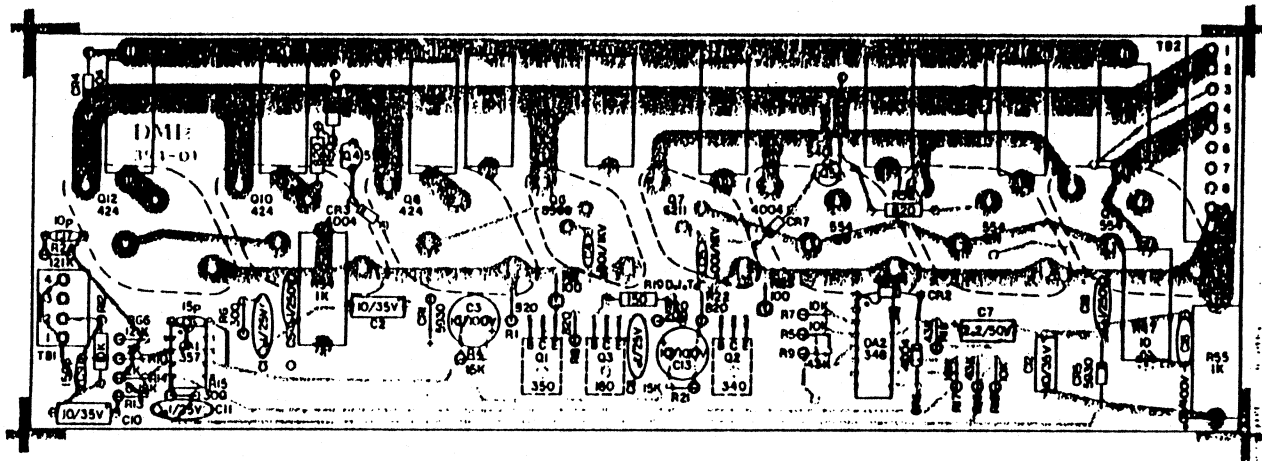
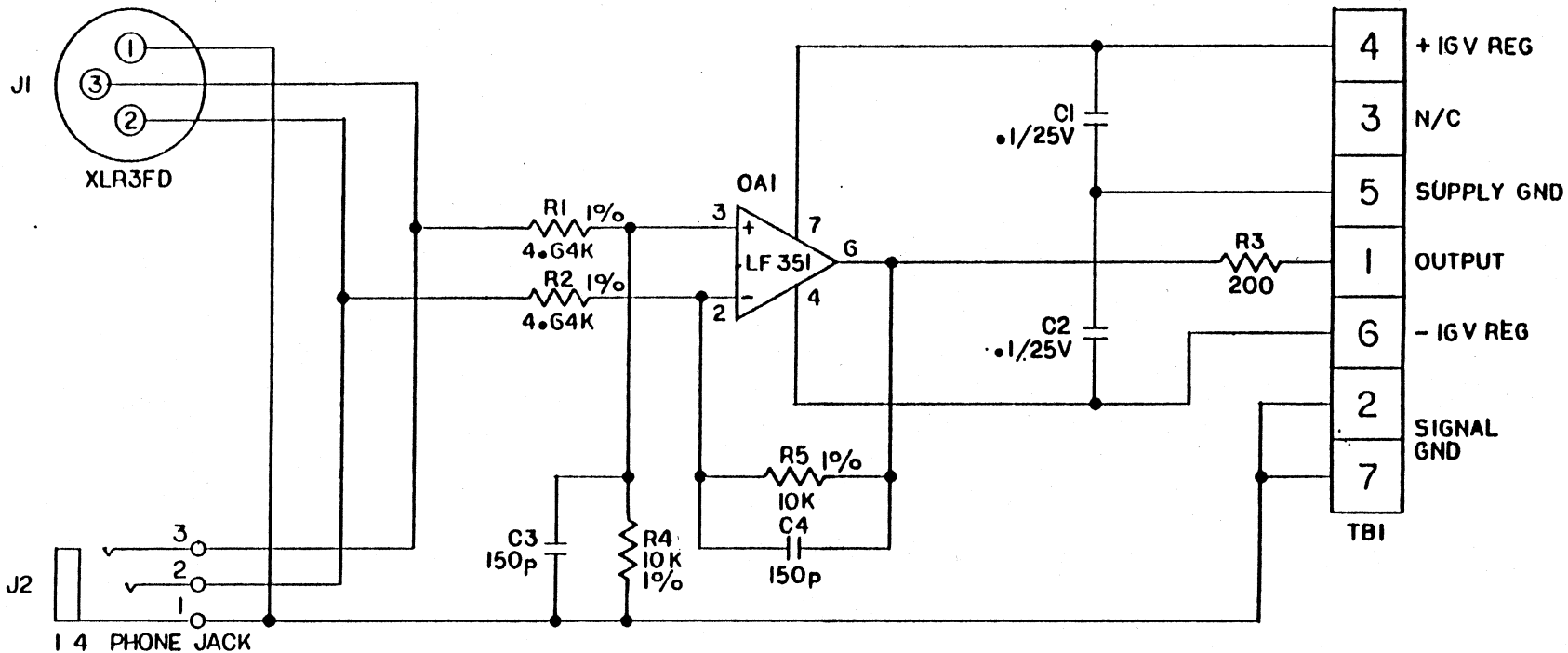


| NOTES | LAST USED | REF | DES | REV | ECO | DESCRIPTION | DATE | BALLBO MUSIC INSTRUMENTS DEPARTMENT OF BOM | |
|--|-----------|-----|--------|-----|-----|-------------|------|---|-----|
| 1) R19, D.J.T., DETERMINE IN TEST. IS BIAS RESISTOR. VOLTAGE ACROSS R15 & R16 IS BETWEEN 475-V MIN. & 510-V MAX. AS DETERMINED BY R19. | R06 | | 027-42 | | | | | REV | REV |
| 2) PHS 5.6.7 ON OA2D NOT USED. | C10 | | C14 | | | | | REV | REV |
| | C18 | | | | | | | REV | REV |
| | L1 | | | | | | | REV | REV |
| | OA2 | | | | | | | REV | REV |
| | Q12 | | | | | | | REV | REV |



| NOTES: | | REV | ECO | DESCRIPTION | DATE |
|--|--|-----|-----|-------------|------|
| 1) COMPONENT SIDE UP 2) MOUNT TO HEATSINK & SOLDER SIDE OF P.C.B. & Q1-3 & 6-13 3) R10 D.I.T., DETERMINE IN TEST | | | | | |

| DALLAS MUSIC INDUSTRIES | |
|--|---|
| MUSICAL EQUIPMENT | |
| DATE: APR 1971 BY: [Signature] NO. OF PAGES: 1/1 | CUSTY: MODEL 25000 & 25010 BRASS POWER AMPLIFIER SERIAL P.C.B. |
| ASSEMBLY NO. 2504394 | 1/100 |
| SCALE: 2:1 DO NOT SCALE DRAWING | |

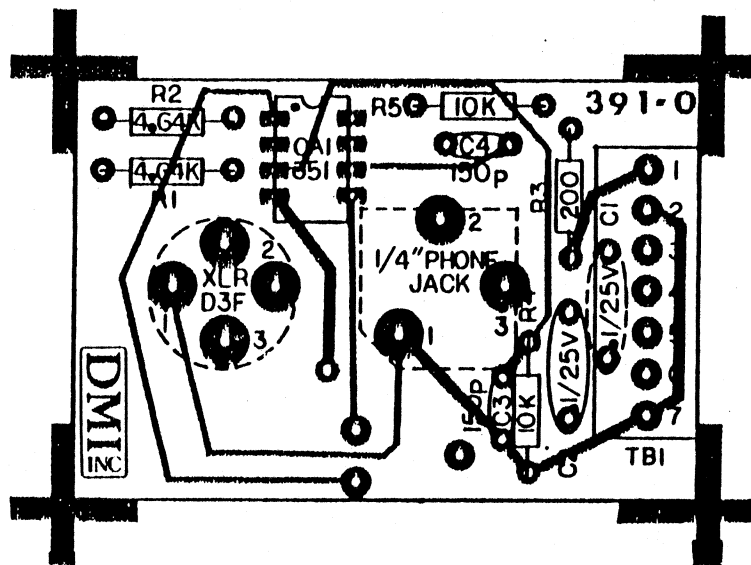


NOTES:

- 1) PINS 2 & 3 ARE BALANCED,
PINS 1 & 3 ARE UNBALANCED
ON BOTH 3-PIN CONNECTORS

| LAST REF DES | | REV | ECO | DESCRIPTION | DATE |
|--------------|----------|-----|-----|-------------|------|
| USED | NOT USED | | | | |
| C4 | | | | | |
| R5 | | | | | |
| OA1 | | | | | |
| TBI | | | | | |

| DALLAS MUSIC INDUSTRIES HAWTHORNE, N.J. 07506 | | | |
|--|---------------|--------------------------------------|---------|
| DWN.: JJD | DATE: 1/18/82 | CREST: | |
| APP: <i>[Signature]</i> | DATE: 1-20-82 | MODEL "8" SERIES POWER AMPLIFIERS | |
| TOL: ±.02 | ±.1° | INPUT P.C.B. | |
| RES: ±.01 | FRACT: 1/84 | SCHEMATIC | |
| MATL: | | | |
| FINISH: | | DWG. No.: 2102391 | REV: 00 |
| SCALE: -- | | DO NOT SCALE DRAWING | |

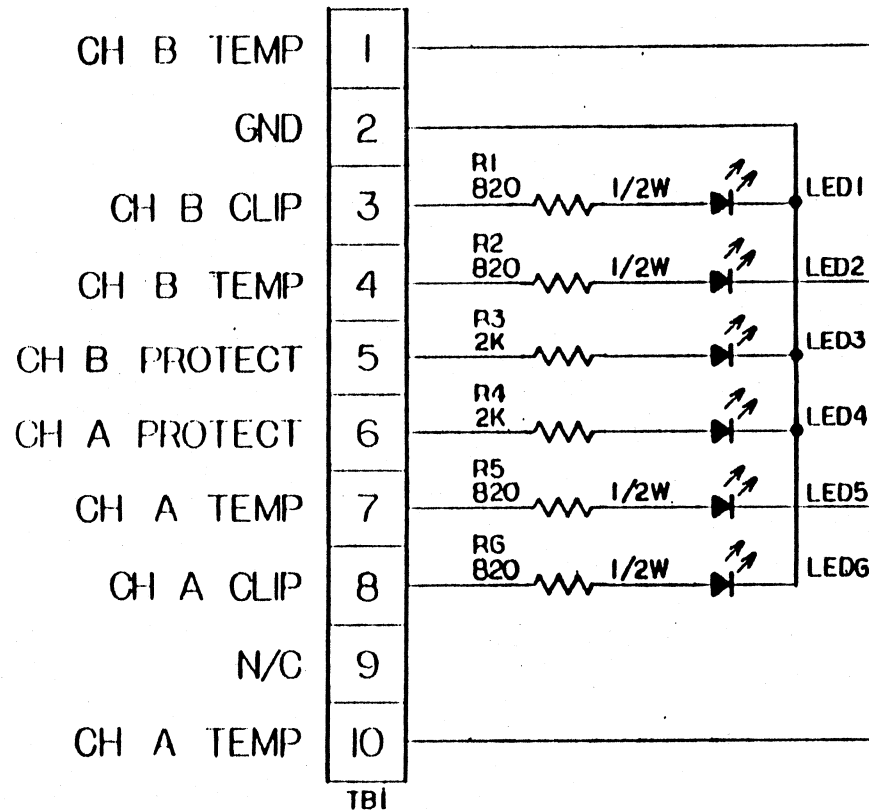


NOTES:

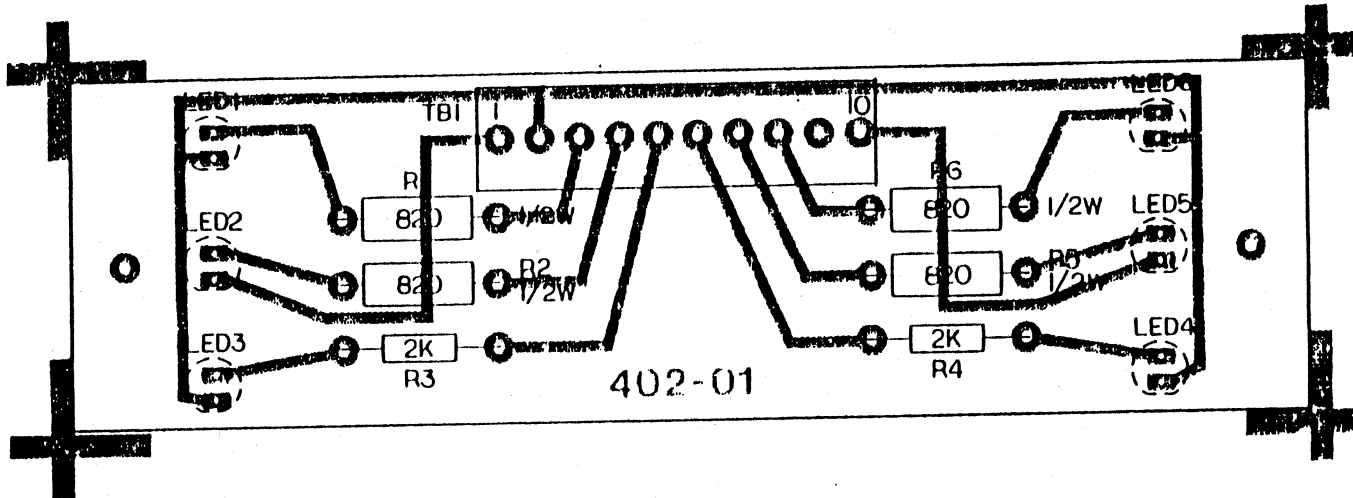
- 1) COMPONENT SIDE UP
- 2) XLR & PHONE CONNECTORS MOUNT TO CHASSIS & SOLDER SIDE OF P.C.B.
- 3) MOUNT CI ON SOLDER SIDE

| REV | ECO | DESCRIPTION | DATE |
|-----|-----|-------------|------|
| | | | |

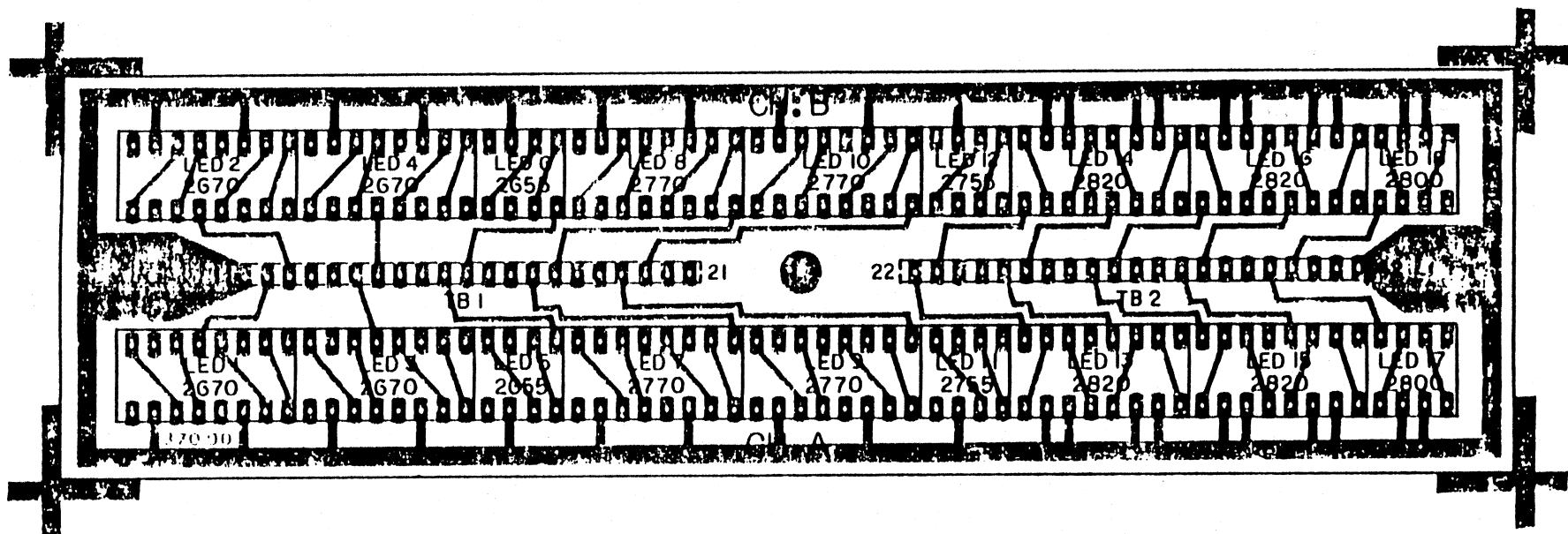
| | | | |
|---|---------------|--------------------------------------|----------------------|
| DALLAS MUSIC INDUSTRIES HAWTHORNE, N.J. 07508 | | | |
| DWN.: JJD | DATE: 1/15/82 | CRST: | |
| APP: <i>[Signature]</i> | DATE: 1-20-82 | MODEL "S" SERIES POWER AMPLIFIERS | |
| TOL: RS: ±.02 L: ±1° RHS: ±.01 FRACT: 1/64 | | INPUT P.C.B. | |
| MATL.: | | ASSEMBLY DWG. | |
| FINISH: | | DWG. No.: 2202391 | REV.: 00 |
| | | SCALE: 2:1 | DO NOT SCALE DRAWING |



| USED | NOT USED | NOTES: | REV | ECO | DESCRIPTION | DATE | DALLAS MUSIC INDUSTRIES HAWTHORNE, N.J. 07506 | |
|------|----------|--|-----|-----|-------------|------|---|--|
| | | 1) LEDs ARE RED 2) UNSPECIFIED RESISTORS—1/4W | | | | | DWN.: JJD | DATE: 8/11/82 |
| | | | | | | | APP: [Signature] | DATE: 8/11/82 |
| | | | | | | | TOL: R: ±.02 L: ±1° RES: ±.01 FRAC: ±1/64 | CREST: MODEL "S" SERIES POWER AMPLIFIERS |
| | | | | | | | MATL.: | LIGHT PROTECT P.C.B. |
| | | | | | | | FINISH: | SCHEMATIC |
| | | | | | | | | DWG. No.: 2102402 |
| | | | | | | | | SCALE: -- NO NOT SCALE DRAW |



| LAST REF DES | | NOTES: 1) LEDS MOUNT ON SOLDER SIDE 2) LEDS ARE RED 3) RESISTORS-1/4W | REV | ECO | DESCRIPTION | DATE | DALLAS MUSIC INDUSTRIES HAWTHORNE, N.J. 07508 | | |
|--------------|----------|--|-----|-----|-------------|---------|---|----------------------|--|
| USED | NOT USED | | | | | | DWN.: JJD | DATE: 8/11/82 | CREST: MODEL "S" SERIES POWER AMPLIFIERS LIGHT PROTECT P.C.B. ASSEMBLY DWG. |
| RG | | | | | | | APP: [Signature] | DATE: 3/11/82 | |
| LEDG | | | | | | | TOL: XX: ±.02 Z: ±1° AAA: ±.01 FRACT: ±1/64 | | |
| TBI | | | | | | | MATL: | | |
| | | | | | | FINISH: | | | |
| | | | | | | | DWG. Nr.: 2202402 | REV 100 | |
| | | | | | | | SCALE: 2:1 | DO NOT SCALE DRAWING | |



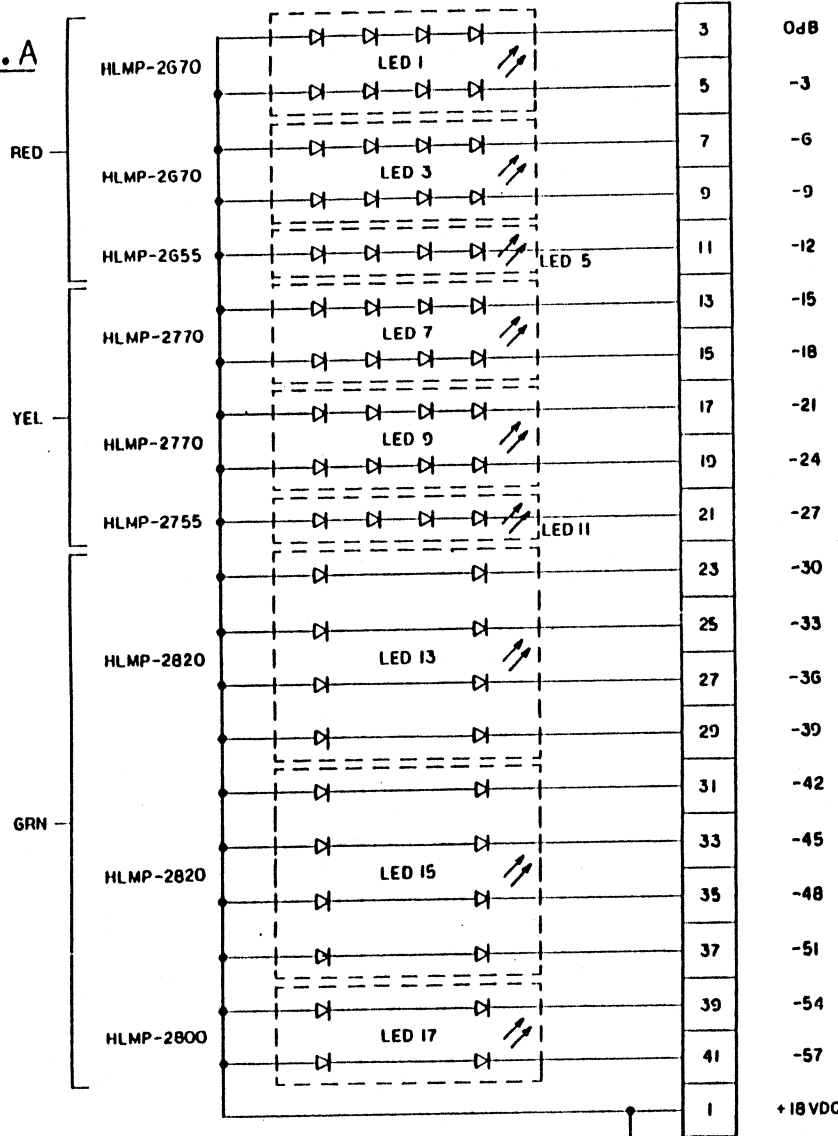
NOTES:

- 1) COMPONENT SIDE UP
- 2) RED- LED 1-6
YEL- LED 7-12
GRN- LED 13-18
- 3) TB1 & 2 MOUNT ON SOLDER SIDE

| REV | ECO | DESCRIPTION | DATE |
|-----|-----|-------------|------|
| | | | |

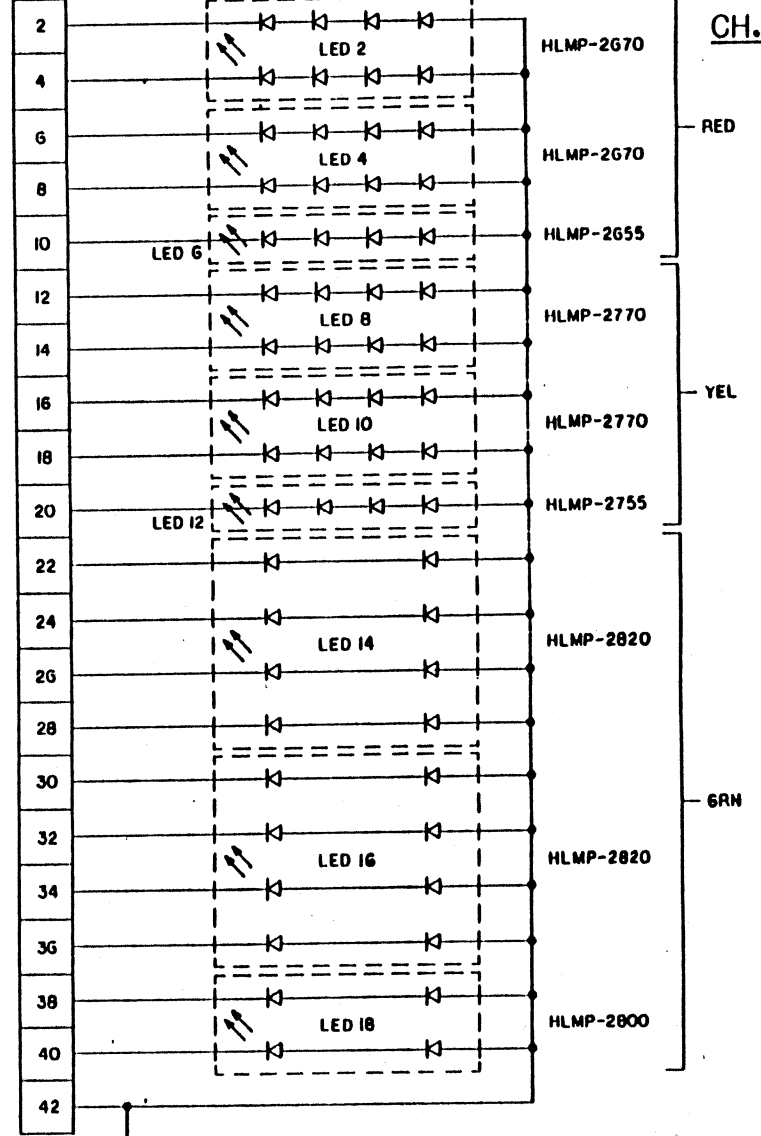
| | | | |
|---|--------------------|----------------------------|--|
| DALLAS MUSIC INDUSTRIES HAWTHORNE, N.J. 07508 | | | |
| DWN.: JJD | DATE: 2/8/82 | CREST: | |
| APP: <i>[Signature]</i> | DATE: 6-12-82 | POWER AMPLIFIERS w/ METERS | |
| TOL: DR: ±.02 Z: ±1° HAR: ±.01 FRAC: 1/64 | METER ARRAY P.C.B. | | |
| MATL.: | ASSEMBLY DWG, | | |
| FINISH: | DWG. Nr.: 2202370 | REV: 00 | |
| SCALE: 2:1 DO NOT SCALE DRAWING | | | |

CH. A



| | |
|--------|----|
| 0dB | 3 |
| -3 | 5 |
| -6 | 7 |
| -9 | 9 |
| -12 | 11 |
| -15 | 13 |
| -18 | 15 |
| -21 | 17 |
| -24 | 19 |
| -27 | 21 |
| -30 | 23 |
| -33 | 25 |
| -36 | 27 |
| -39 | 29 |
| -42 | 31 |
| -45 | 33 |
| -48 | 35 |
| -51 | 37 |
| -54 | 39 |
| -57 | 41 |
| +18VDC | 1 |

CH. B



RED
YEL
GRN

NOTES:
1) TB1 TERMINALS 1-21 & TB2 TERMINALS 22-42.

| REV | ECO | DESCRIPTION | DATE |
|-----|-----|-------------|------|
| | | | |

DALLAS MUSIC INDUSTRIES
HAWTHORNE, N.J. 07508

OWN: JJD DATE: 8/8/82 CREST:
APP: [Signature] DATE: 8-2-82 MODELS 2500B, 3500B, 4000, 5000
POWER AMPLIFIER LEADS
TOL: 1.00 ±.010
FIN: 2.00 ±.010
FRAC: 1/64

NETER ARRAY P.C.B.

MATL:
SCHEMATIC

FINISH: OWS No: 2103370 REV: 00
SCALE: -- DO NOT SCALE DRAWING

