

MODEL	1001A	1501A
+36VDC	+46VDC	
-36VDC	-46VDC	

NOTES

1. J = JUMPER
2. BUSS ON SPEAKER GROUND
3. F1 MOD 1001A 2.5A S.B.
MOD 1501A 4A M.T.L.
4. C2, C3 MOD 1001A 12000 40V
MOD 1501A 15000 50V
5. MOD. 1001A CONNECT TO T1-YEL
MOD. 1501A CONNECT TO T1-RED
6. MOD. 1501A T1-BLU 12VAC TO PROT. BD.

REV

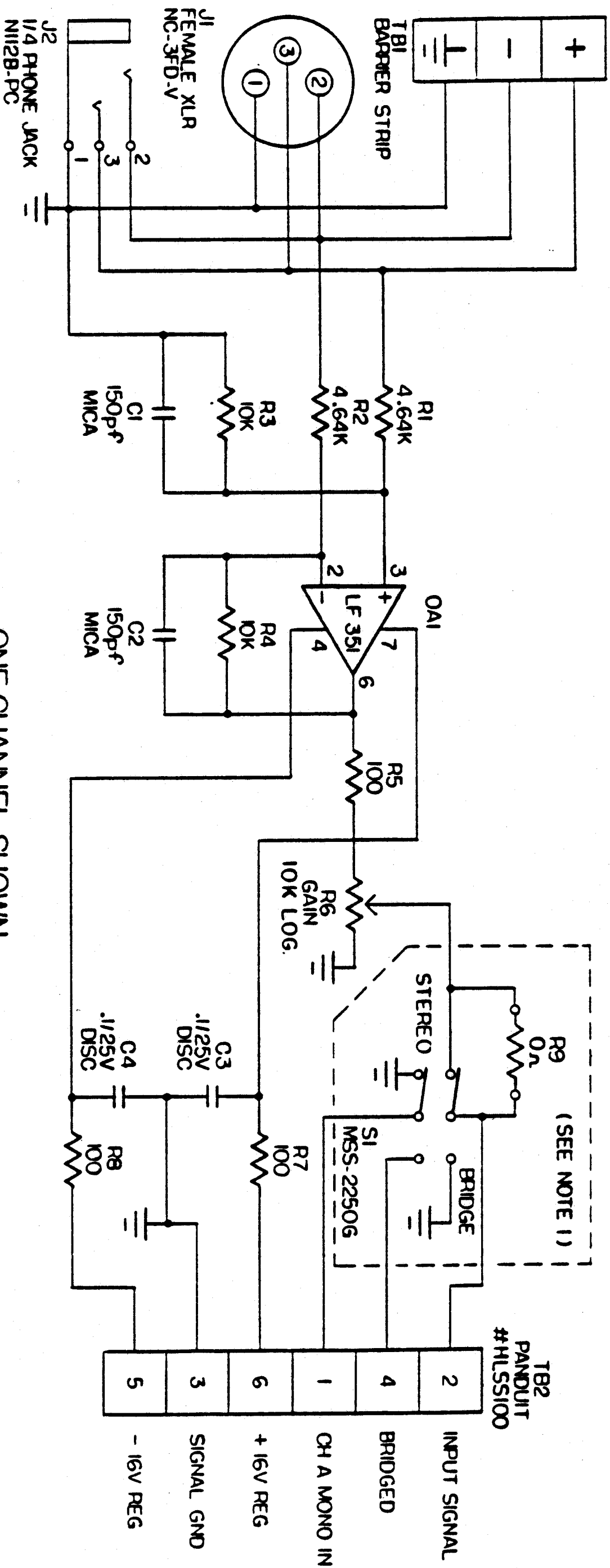
DESCRIPTION

DATE



OWN E.N.	DATE 9/26/85	CREST
APP. J.F.	DATE 10/7/85	MODELS 1001A/1501A
TOL	± 1°	SERIES POWER AMPLIFIERS
FRAC	± 1/100	VOLTAGE CONVERSION AND
MATL		POWER SUPPLY 120V
FINISH		SCHEMATIC DWG
DWG No.	2102799	REV

SCALE — DO NOT SCALE DRAWING



ONE CHANNEL SHOWN

NOTES:

- 1) R9 USED ONLY FOR CHANNEL A INSTEAD OF S1
- SI USED ONLY FOR CHANNEL B INSTEAD OF R9
- 2) RESISTORS 1/4W, 1% UNLESS SPECIFIED

REV	DESCRIPTION	DATE
01	REDESIGN	8/2/84

OWN:	JJD	DATE:	8/2/84
APP:	J.F.	DATE:	8/15/84
TOL:	02	±	1%
REV:	01	FRAC:	1/64

CREST:
POWER AMPLIFIERS
 MODEL'S 1001A/1501A SERIES
 INPUT P.C.B.

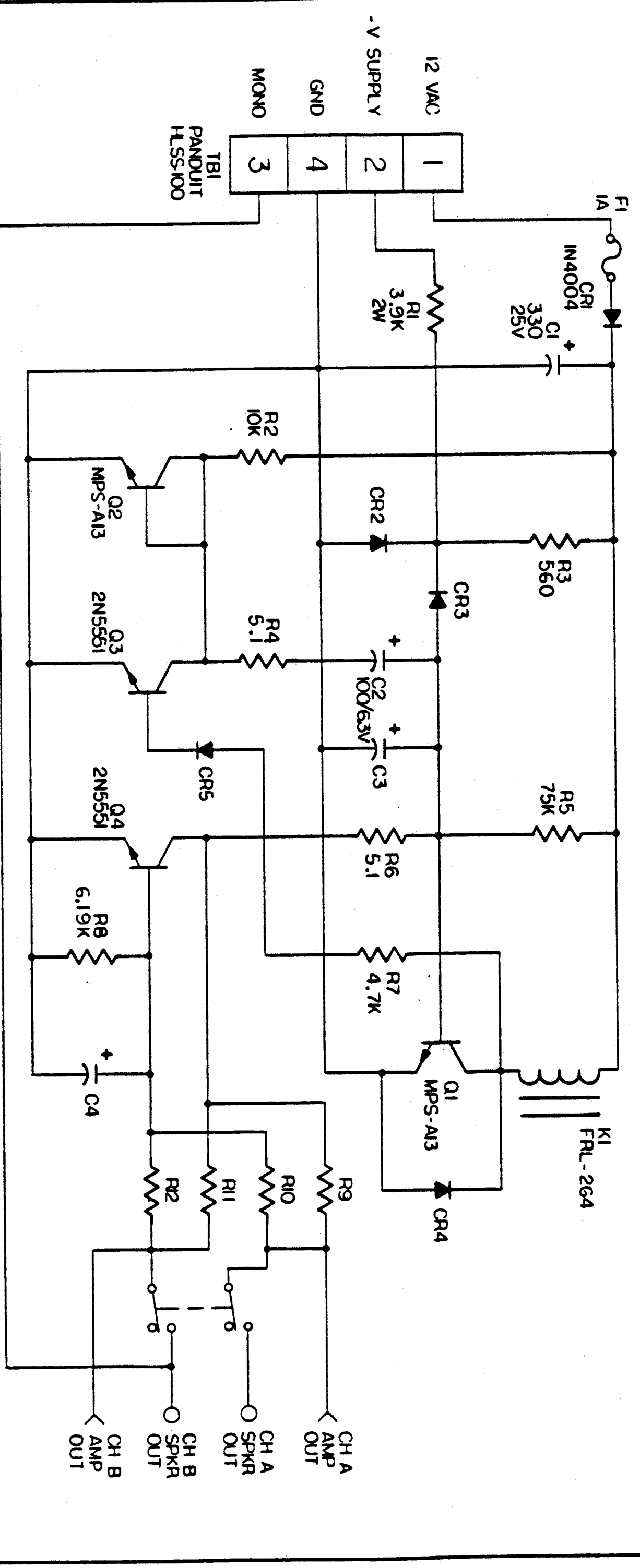
SCHEMATIC

DWG NO: 2102726

REV: 01

SCALE --- DO NOT SCALE DRAWING

CREST AUDIO
 HAWTHORNE, N.J. 07506



NOTES:

- 1) CAPACITOR VALUES IN MFD UNLESS SPECIFIED
C3, C4 ARE 330/25V
- 2) DIODES IN4148 UNLESS SPEC'F'D
- 3) RESISTORS 1/4W 5% UNLESS SPEC'F'D
R9-12 ARE 47K

LAST USED	REF DES	REV	DESCRIPTION	DATE
USED	NOT USED	01	C3,4 FROM 100/63 TO 330/25	2/13/85
C4				
CR5				
F1				
K1				
R12				
TBI				
Q4				

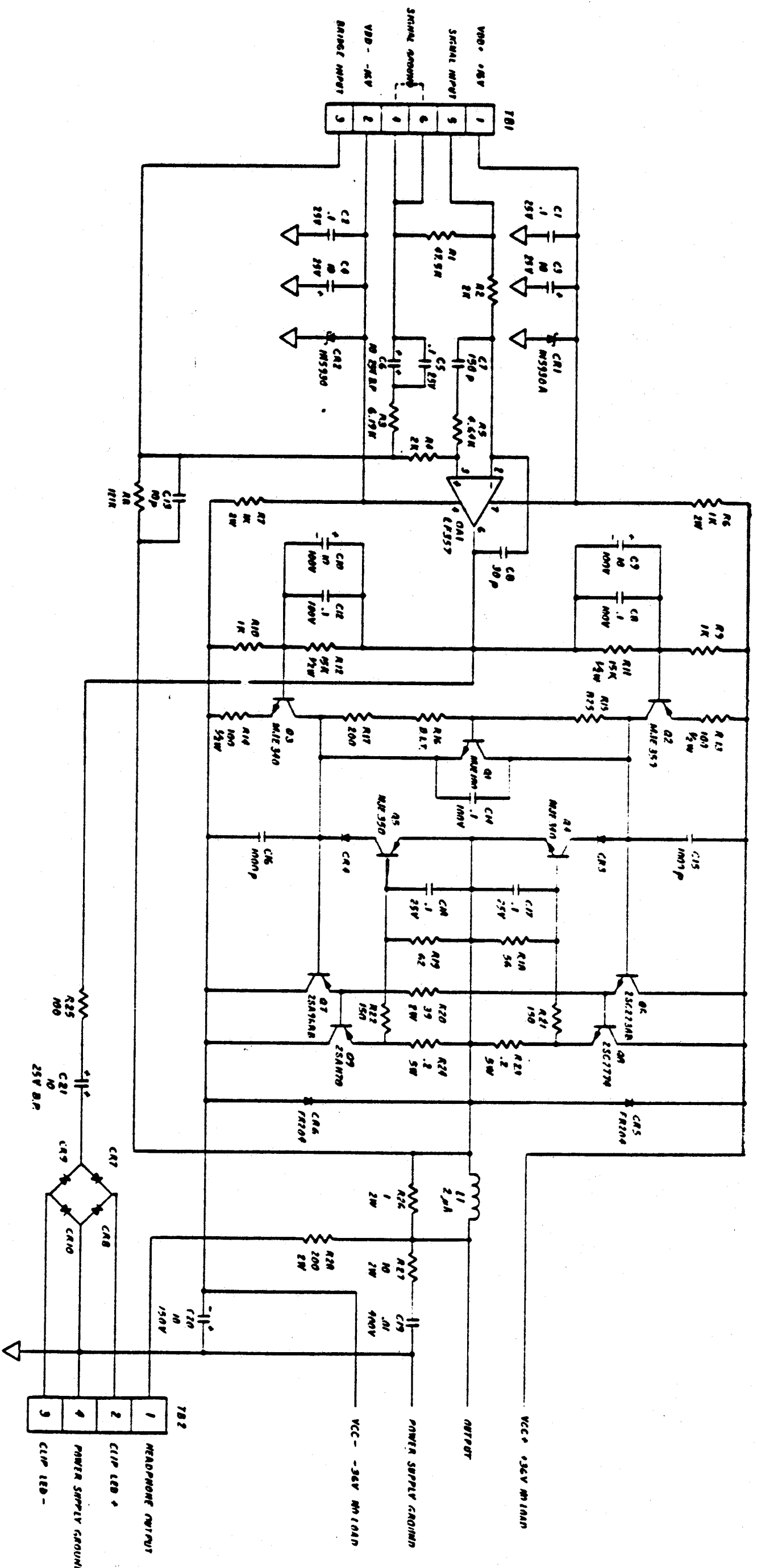
CREST AUDIO
HAWTHORNE, N.J. 07506

OWN: JJD DATE: 8/10/84
 APP: T.F. DATE: 8/15/84
 TOL: ±.02 ±.1°
 REE: .01 FRACT: 1/64

PROJECT P.C.B.
 SERIES
 POWER AMPLIFIERS
 MODEL 1501A

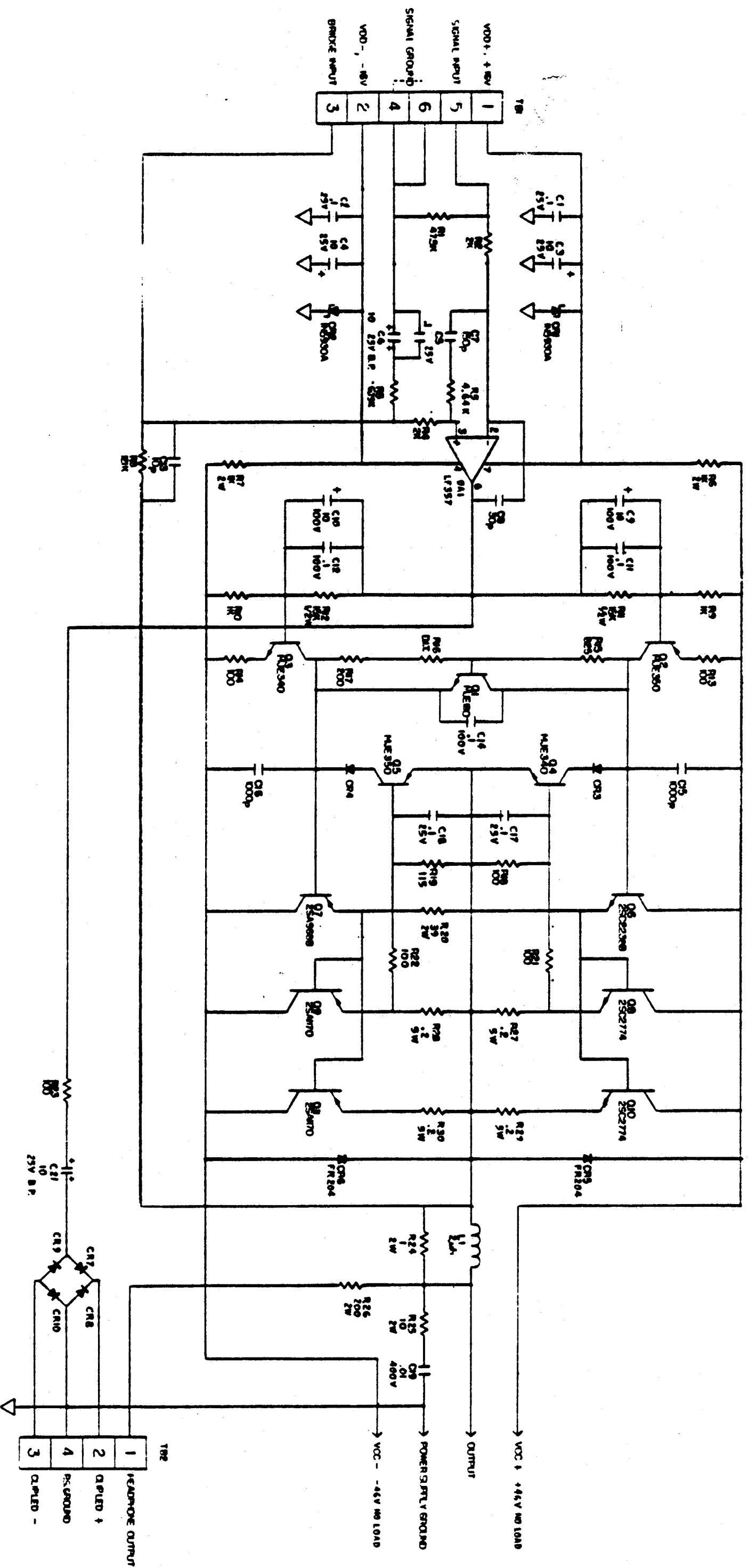
SCHEMATIC
 DWG NO: 2102727
 REV: C1

SCALE: --- DO NOT SCALE DRAWING



COMP. NOT INSTALLED BY	LAST REF. DESIG.	NOT USED	NOTES	REV	DESCRIPTION	DATE
OUTSIDE WINDOW	USED		1. UNLESS SPECIFIED OTHERWISE - CAPACITORS ARE IN PFD P = PICOFARAD - DIODES ARE M4148 - RESISTORS ARE 1/4 W 1% 2. Q1, Q8-Q9 MOUNTED ON MAIN HEATSINK			
	C21					
	C10					
	L1					
	OAI					
	R20					
	Q9					
	T2					

CREST AUDIO
 MOKI 1001A
 POWER AMPLIFIER
 HEATSINK MODULE
 SCHEMATIC DWG
 2104806



COMP. NOT INSTALLED BY	LAST REF DES.	NOTES	REV DESCRIPTION	DATE
OUTSIDE VENDOR		<p>IF GAGE VALUE IN PARADIGM SPECIFIED IN PRODUCTION DIMENSIONS UNLESS NOTED DIMENSIONS IN INCHES DIMENSIONS IN MILLIMETERS</p>		

REV	DESCRIPTION	DATE
1	INITIAL DESIGN	11/11/78
2	REVISED TO ADD HEADPHONE OUTPUT	11/11/78
3	REVISED TO ADD GATED + AND GATED -	11/11/78

CREST AUDIO
 MODEL IS01A SET
 POWER AMPLIFIER
 HEAT SINK MODULE
 SCHEMATIC DWG
 2104609