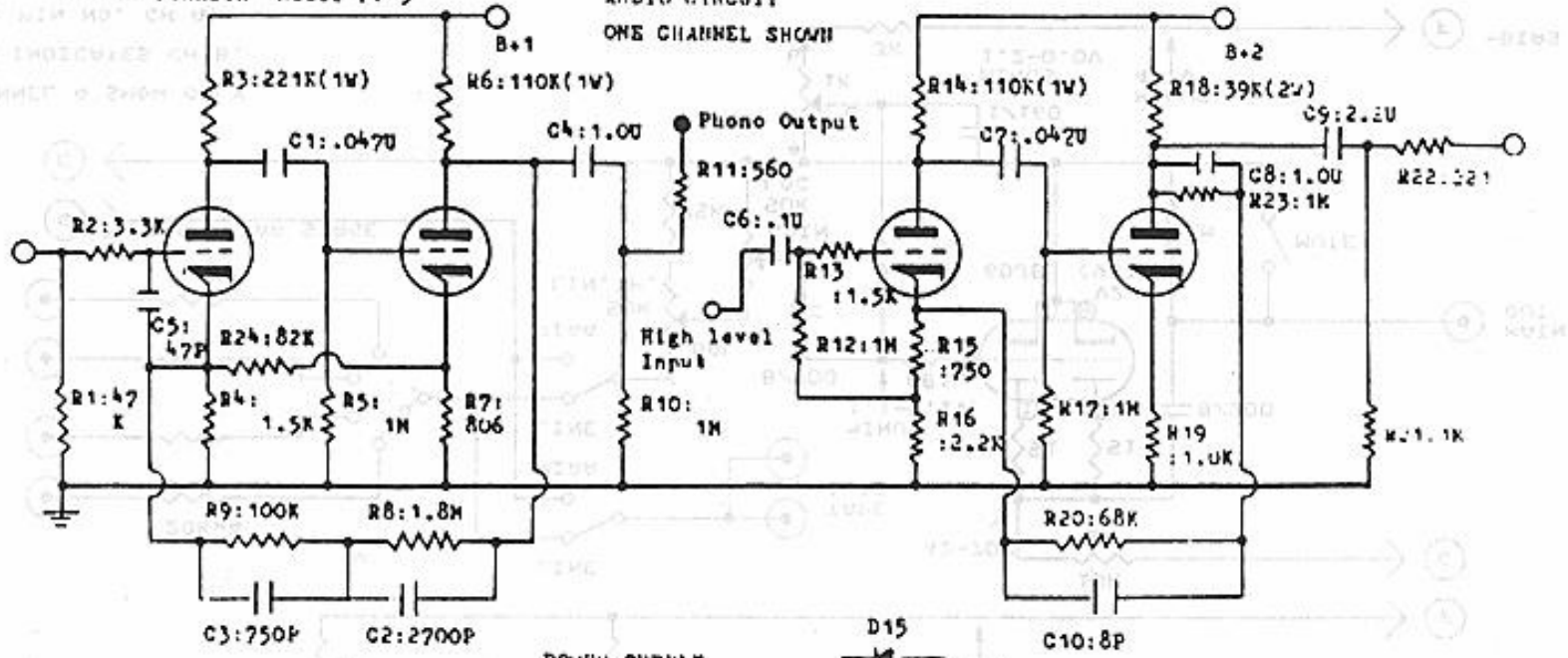


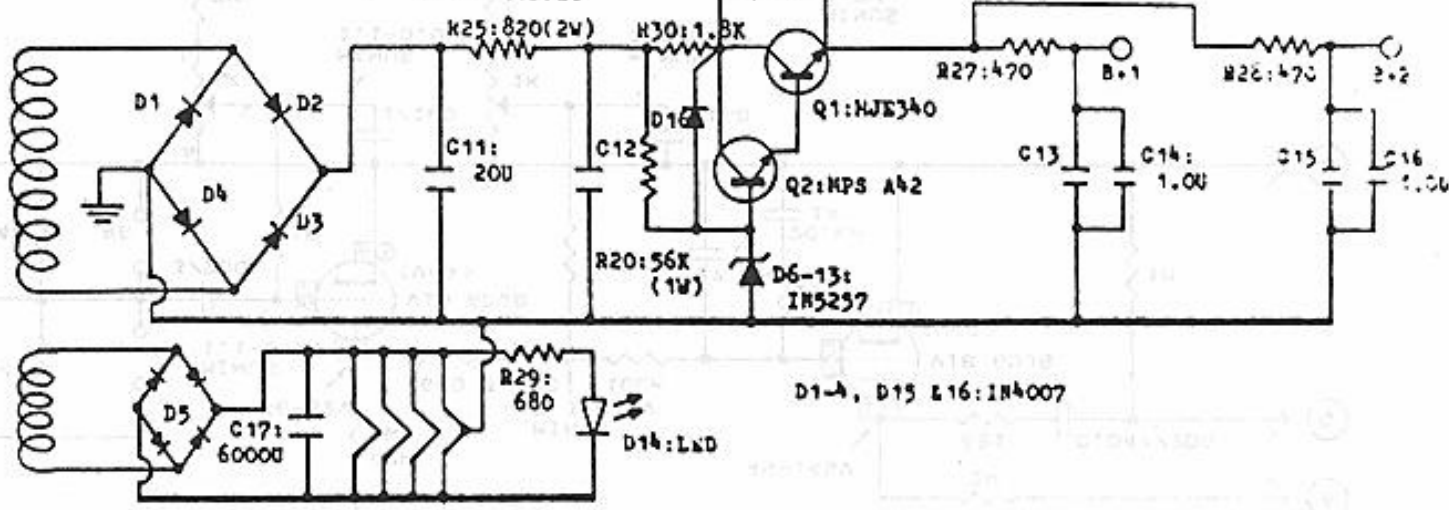
CONRAD JOHNSEN 2U 21

Conrad Johnson Model IV-3

AUDIO CIRCUIT
ONE CHANNEL SHOWN



POWER SUPPLY



D1-A, D15 & 16: 1N4007