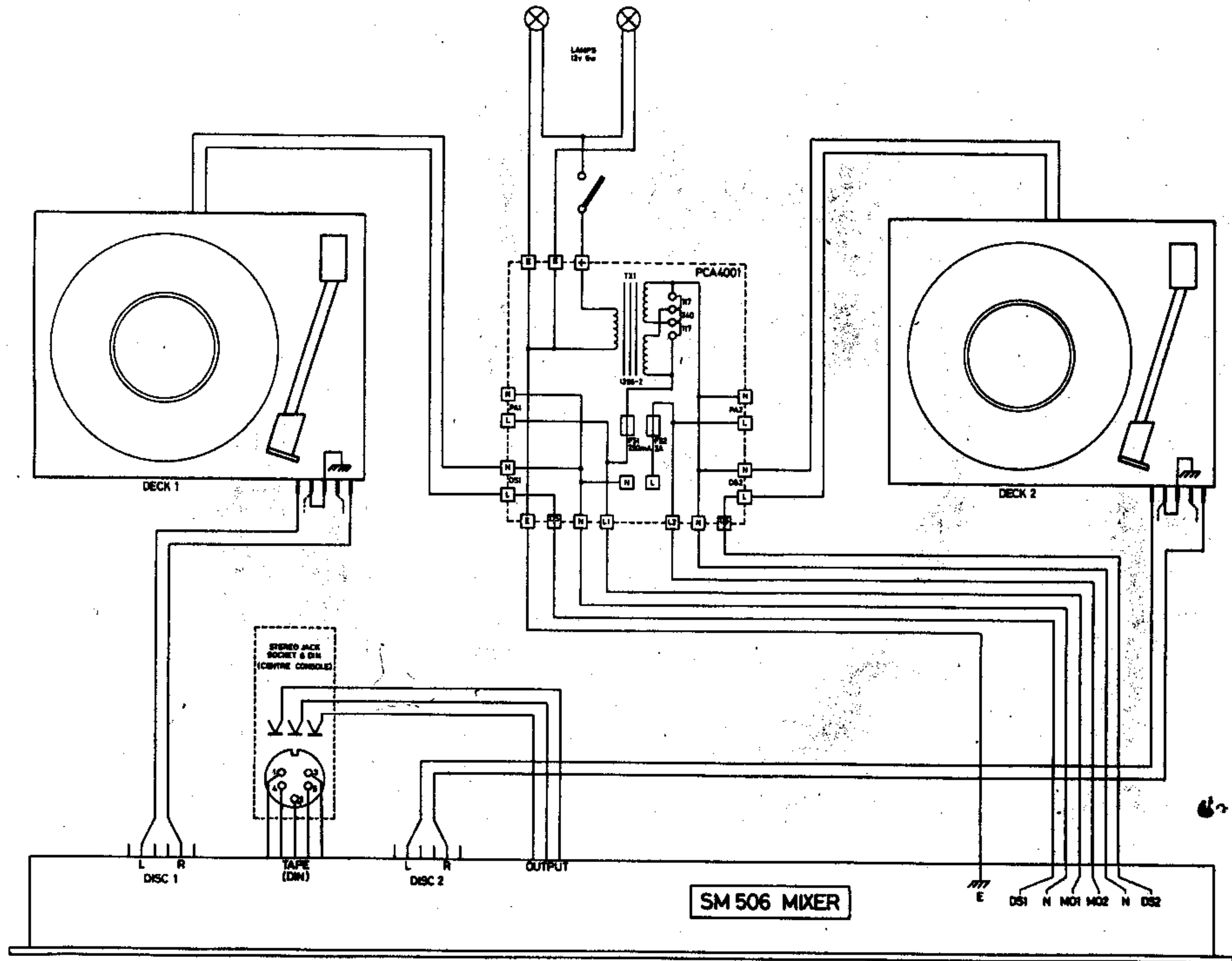
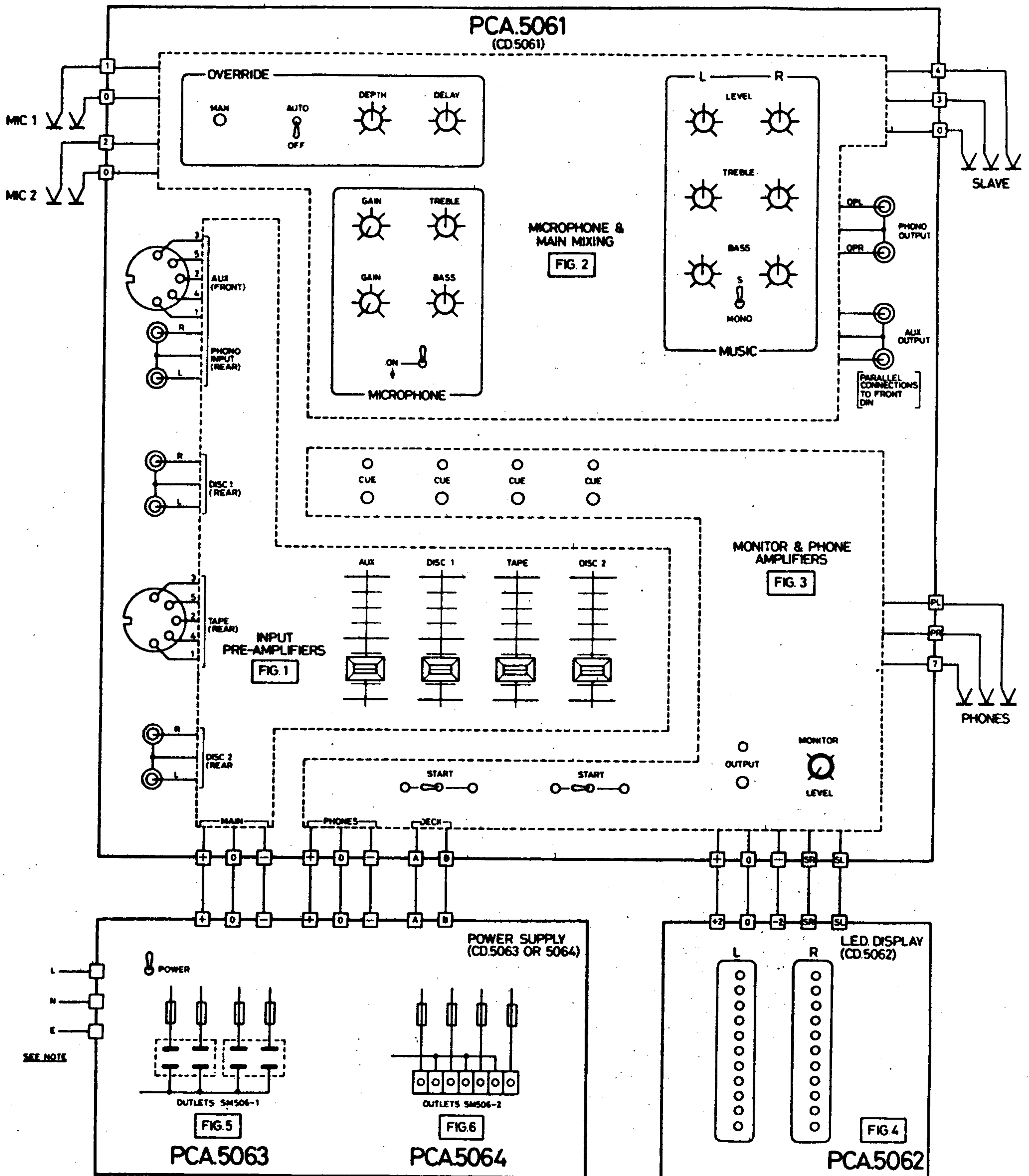


WIRING DIAGRAM FOR STEREO HAWAII (WD 10/5)



WIRING DIAGRAM FOR STEREO HAWAII (WD 10/5)

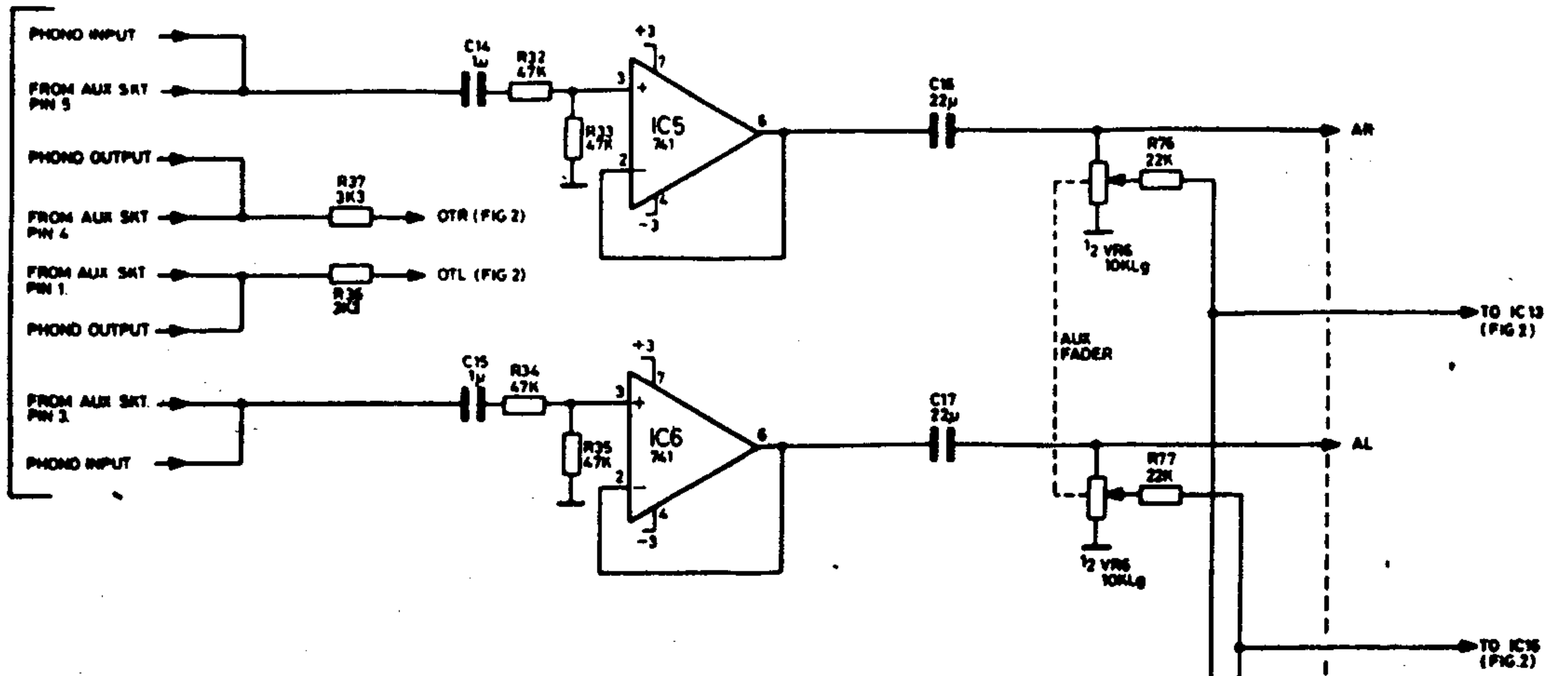


BLOCK DIAGRAM FOR SM506 MIXER

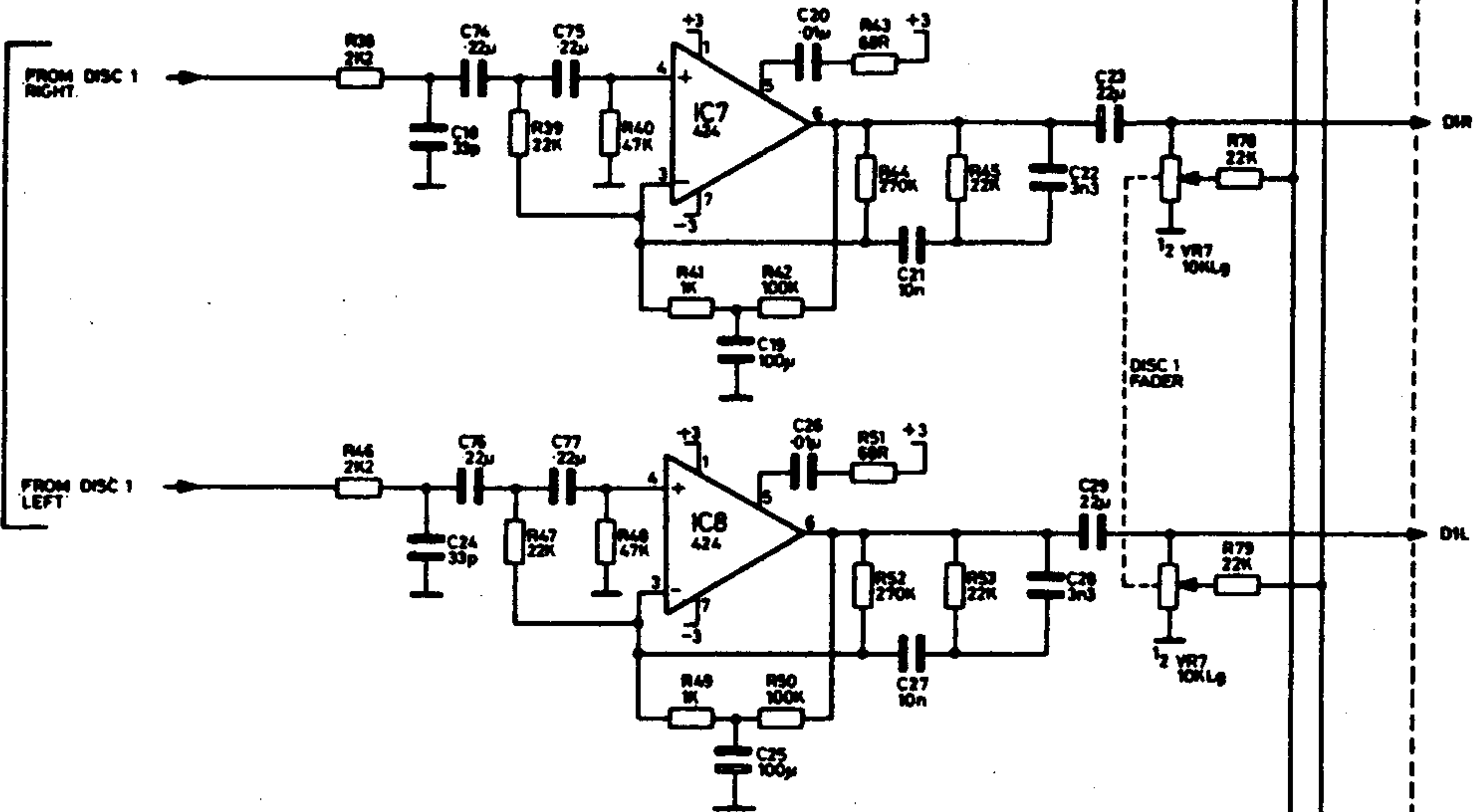
SEE NOTE

NOTE:
SMS06-2 (31 VERSION) MAINS VIA 3-PIN INPUT
PLUG/SOCKET & HD SWITCH

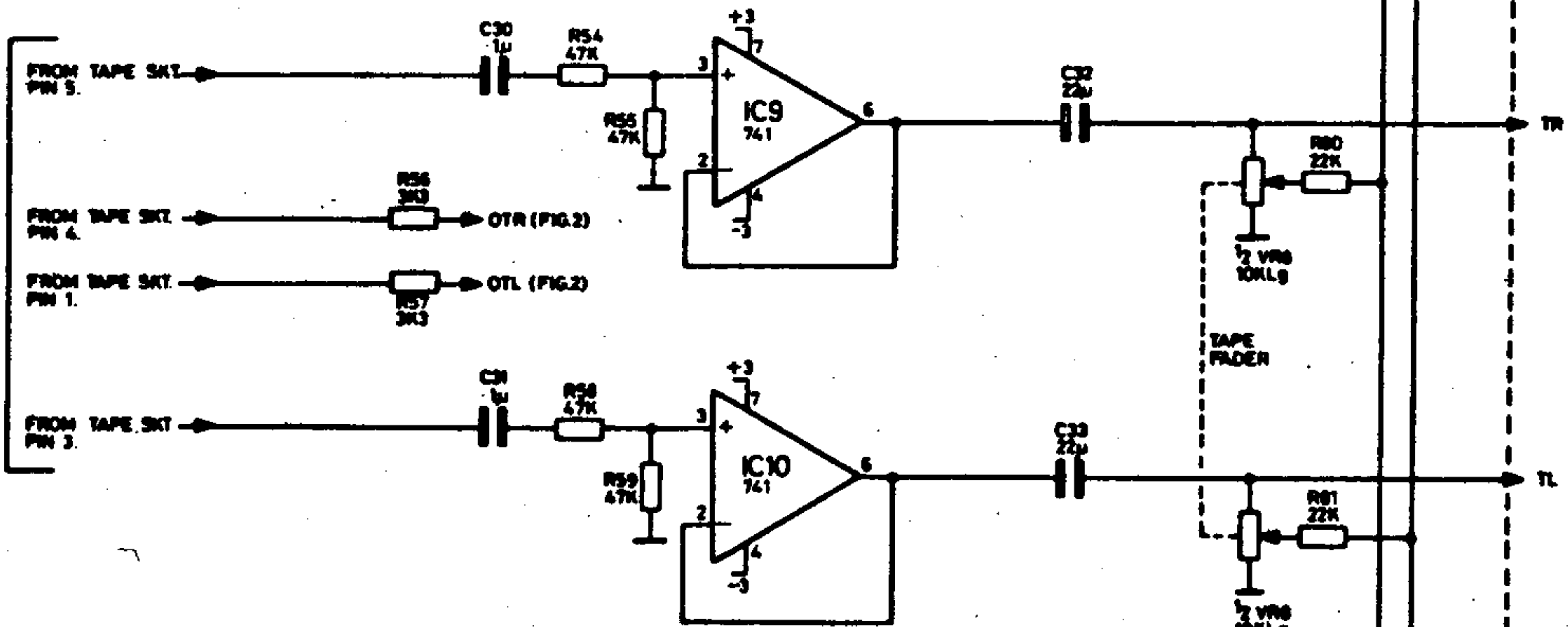
AUX



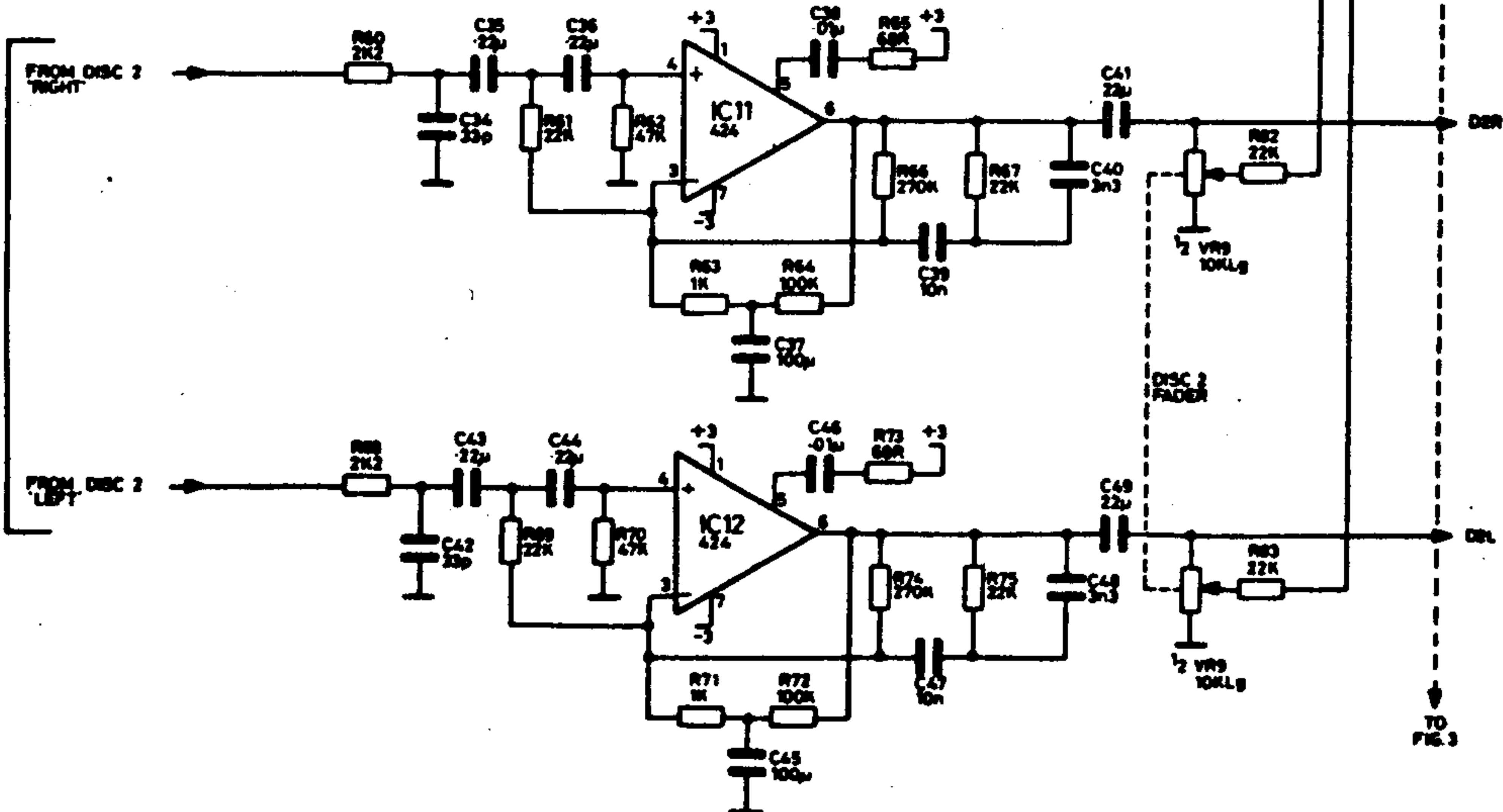
DISC 1

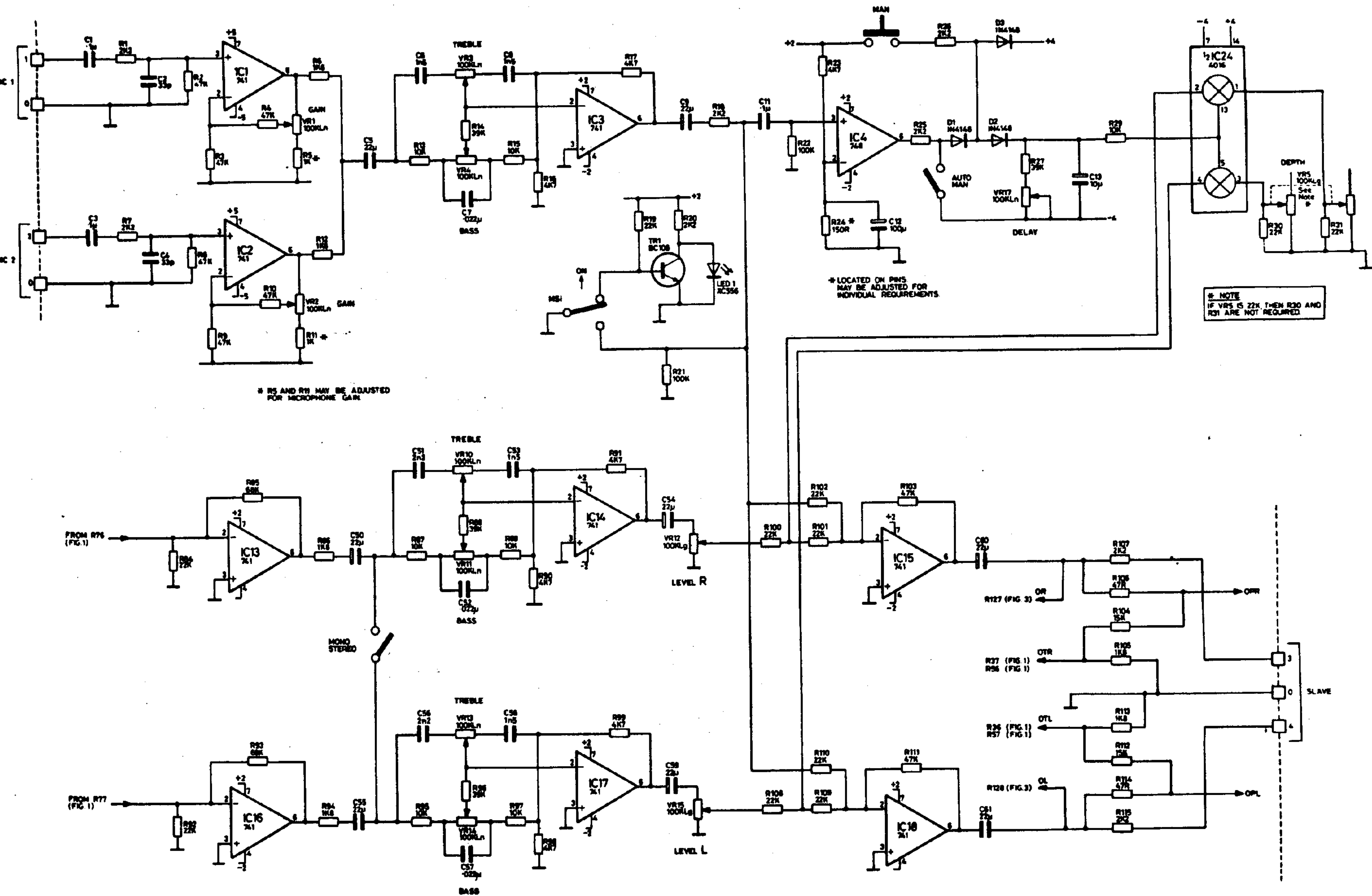


TAPE



DISC 2





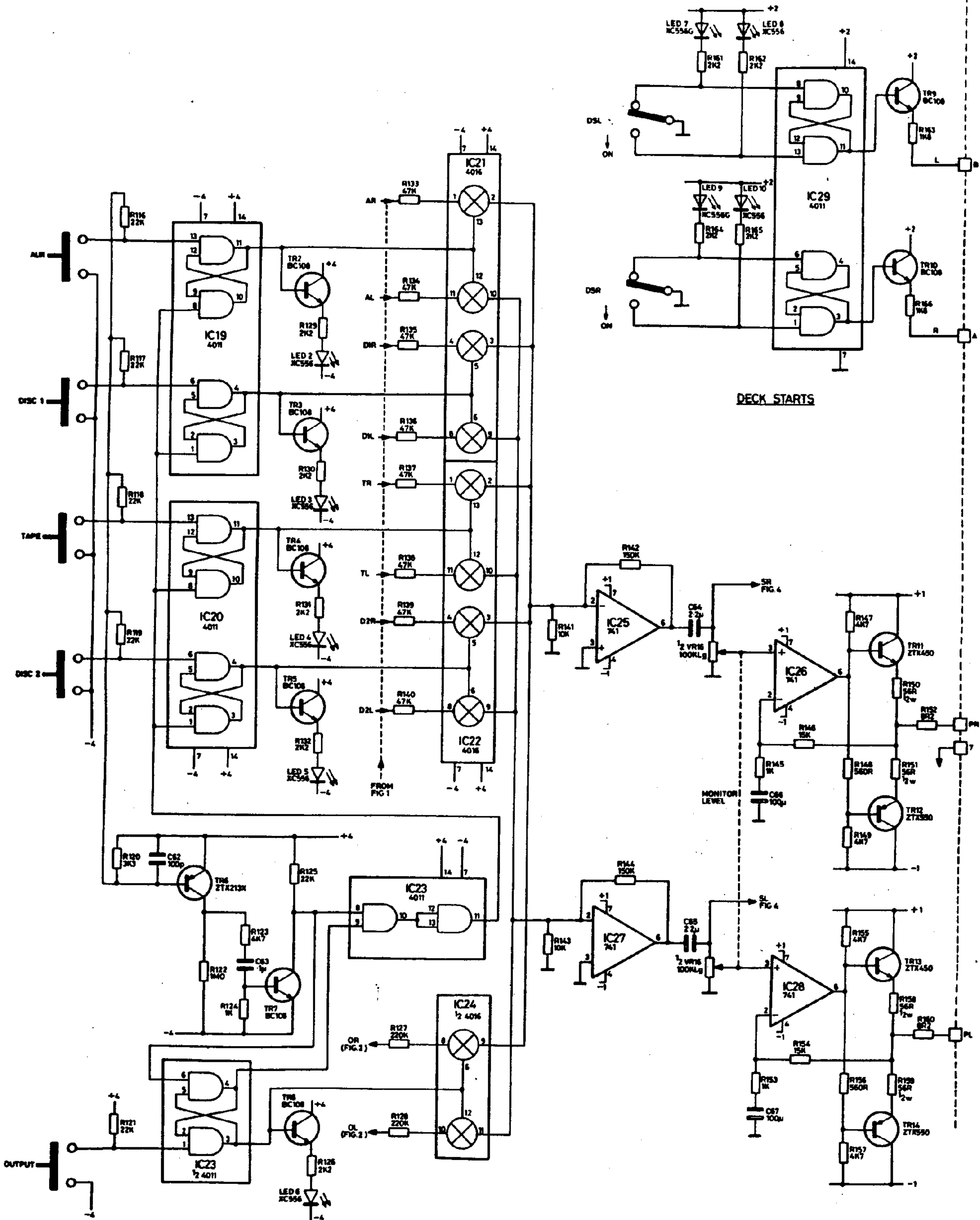
* R5 AND R11 MAY BE ADJUSTED FOR MICROPHONE GAIN

* LOCATED ON PINS MAY BE ADJUSTED FOR INDIVIDUAL REQUIREMENTS

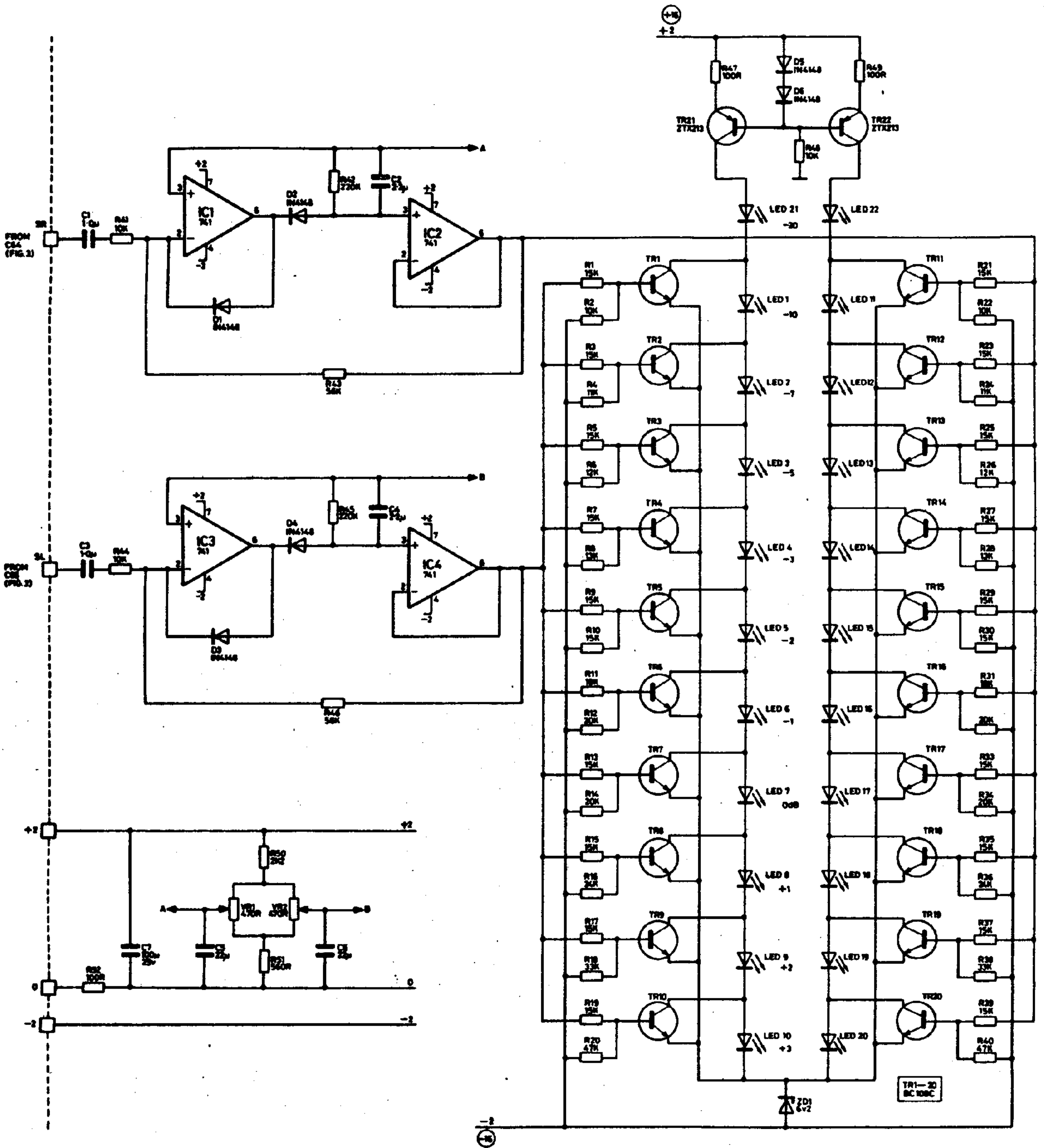
* NOTE IF VR5 IS 22K THEN R30 AND R31 ARE NOT REQUIRED

MICROPHONE & MAIN MIXING (CD.5061)

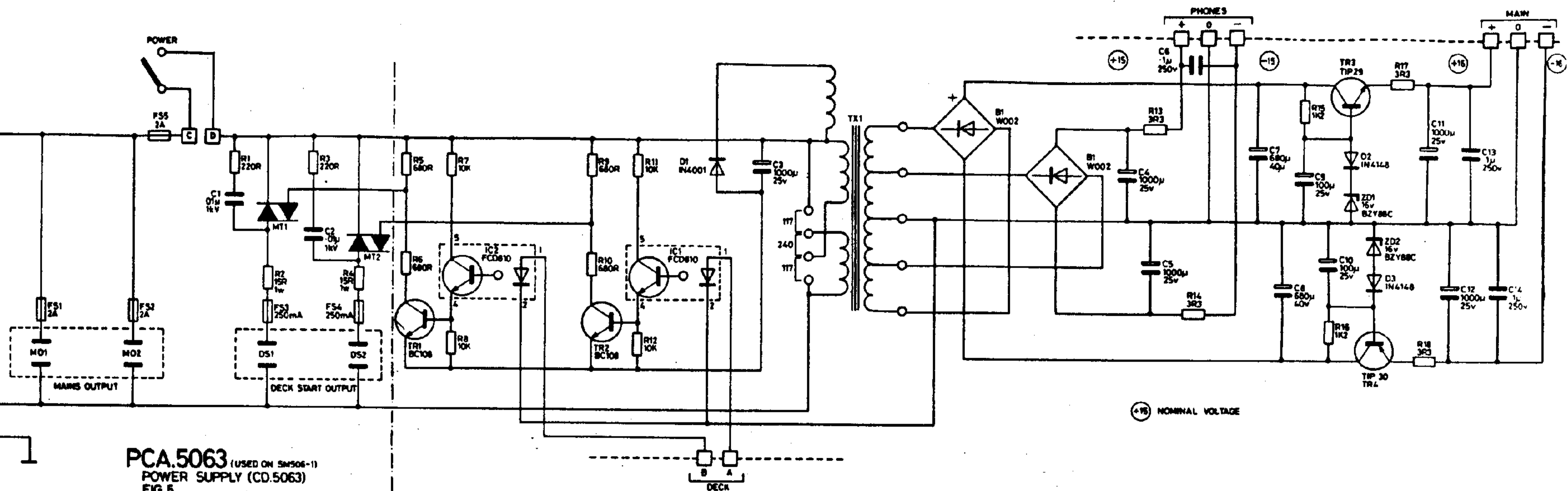
FIG. 2



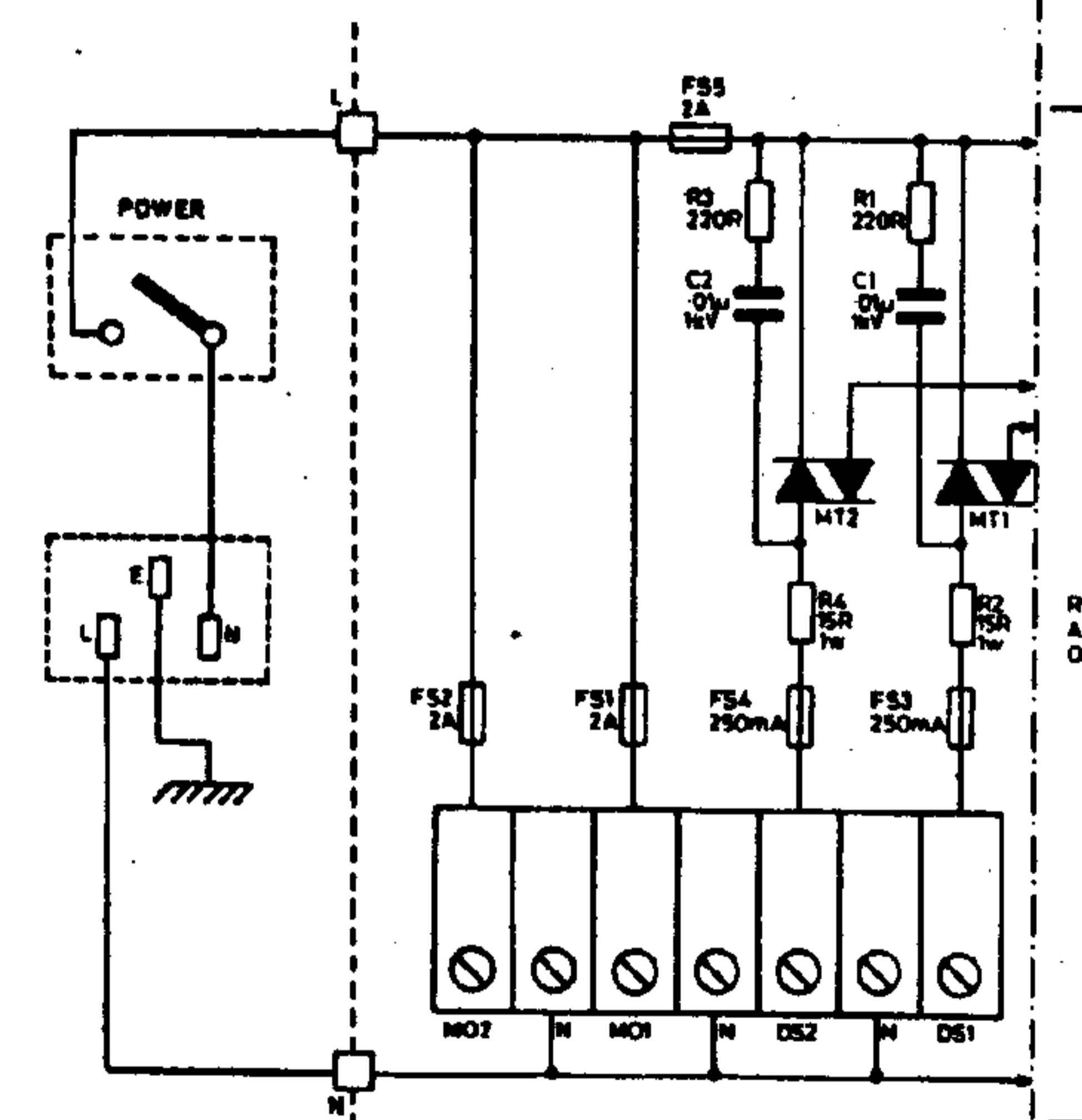
MONITOR & PHONE AMPLIFIERS (CD5061)



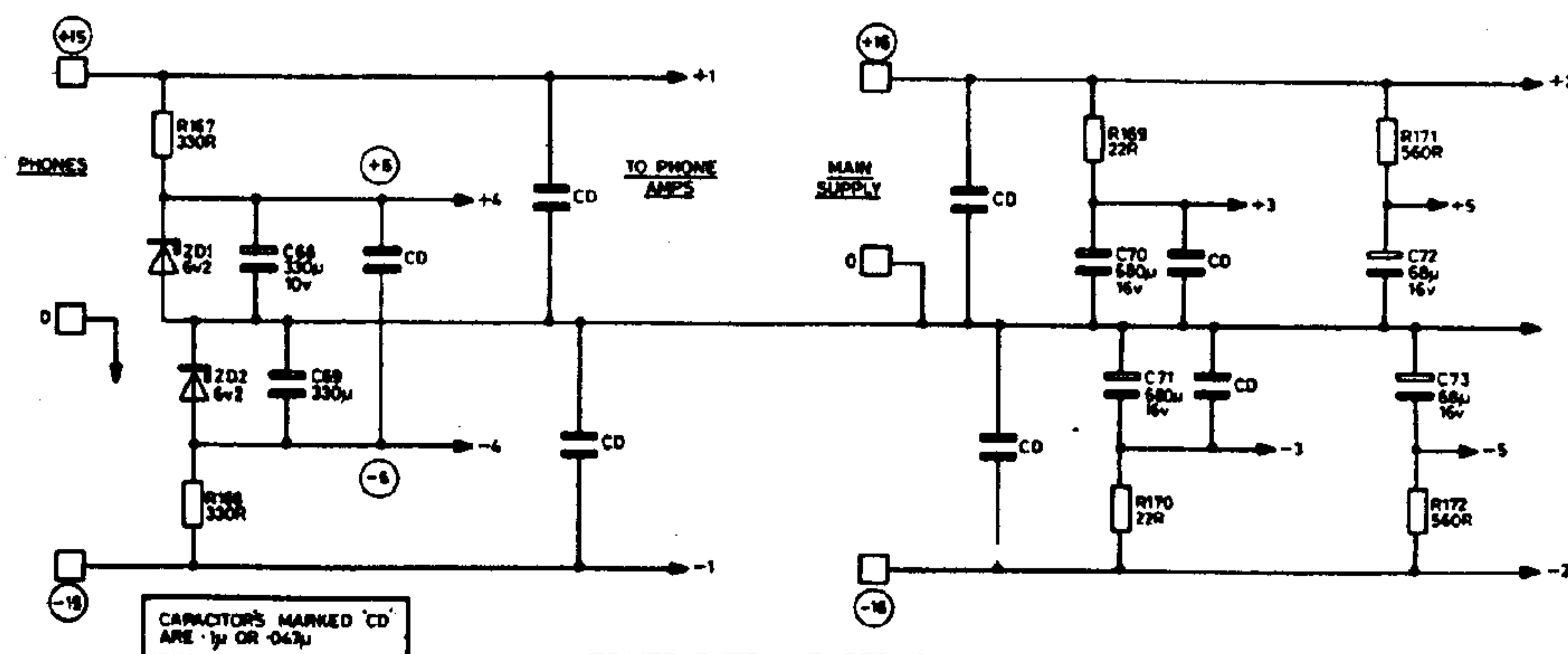
LED DISPLAY (CD 5062)



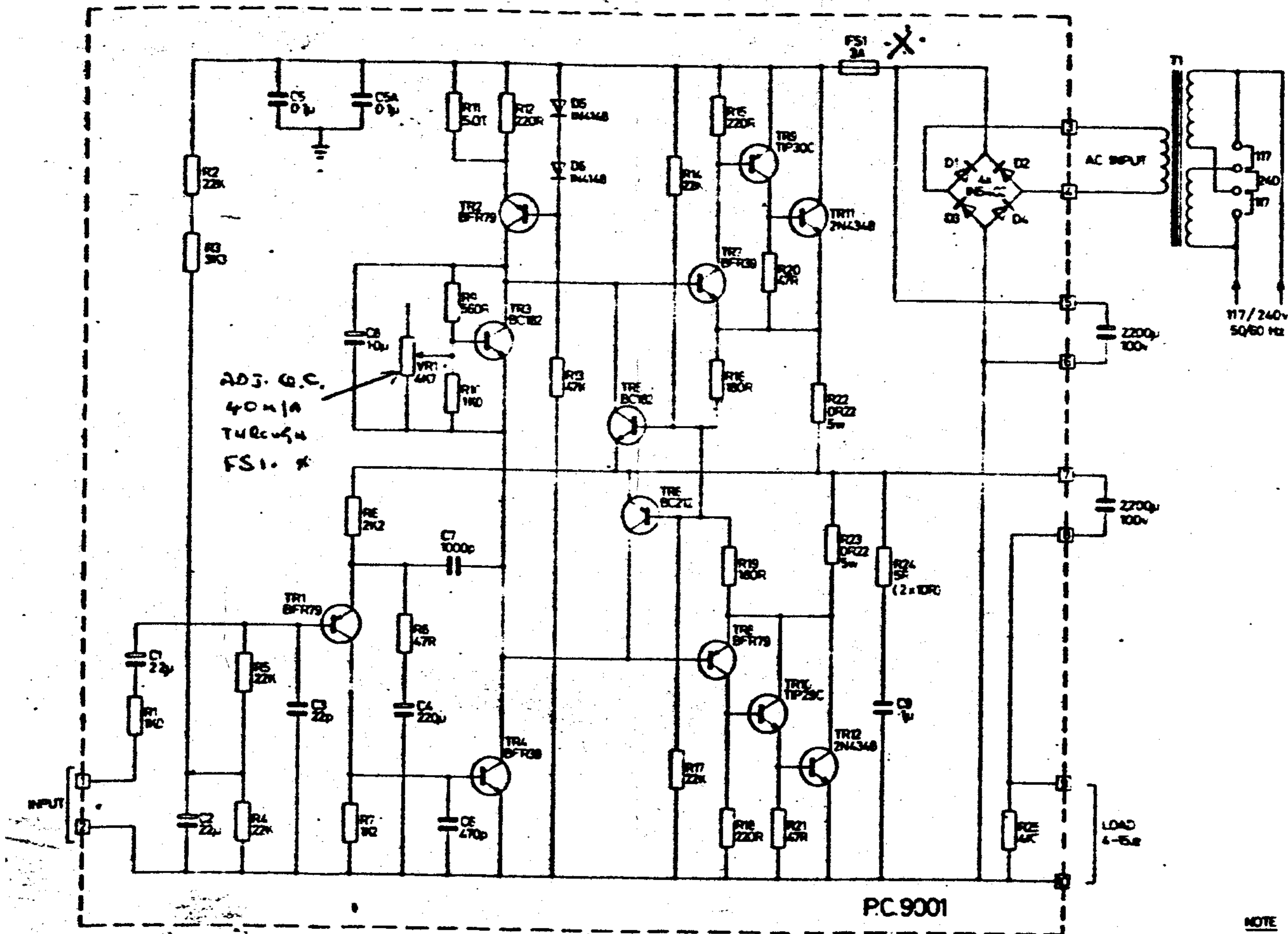
PCA.5063 (USED ON SM506-1)
POWER SUPPLY (CD.5063)
FIG. 5



PCA.5064 (USED ON SM506-2)
POWER SUPPLY (CD.5064)
FIG. 6



POWER SUPPLY FILTER COMPONENTS INCORPORATED
ON MAIN PC. (PC.5061)



ADJ. G.C.
40mA
THROUGH
FS1. *

PC 9001

CITRONIC
POWER
AMP

NOTE
VRI IS ADJUSTED TO GIVE 40mA
THROUGH FS1 AND RT1 IS
SELECTED TO GIVE 3mA THROUGH
TR2

ISSUE	DATE	TITLE P100 CIRCUIT DIAGRAM	CITRONIC LTD. MELKSHAM WILTSHIRE ENGLAND