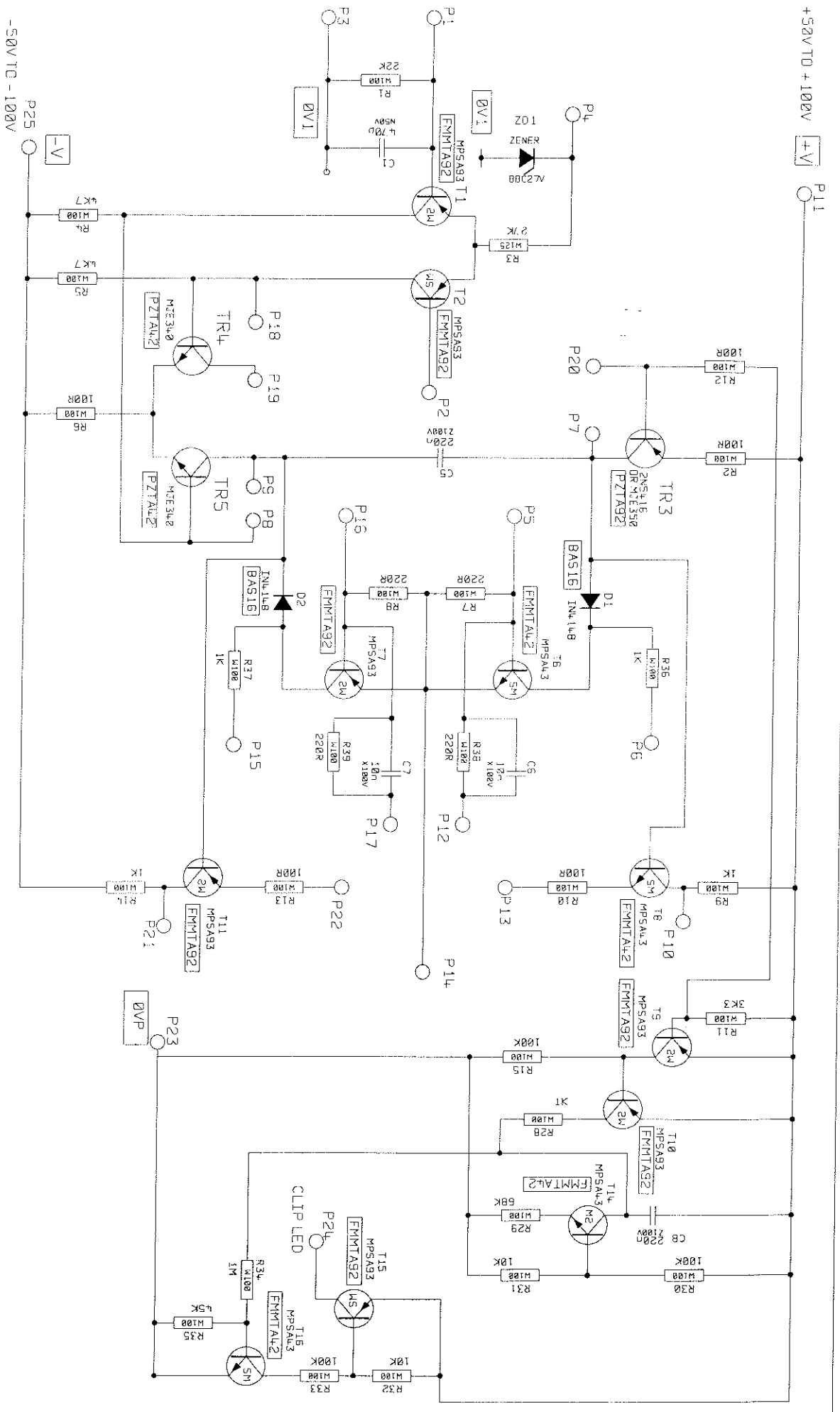


D241 Conquest 12 Issue 05

(Covers Conquest 4.5, 9 & 12)

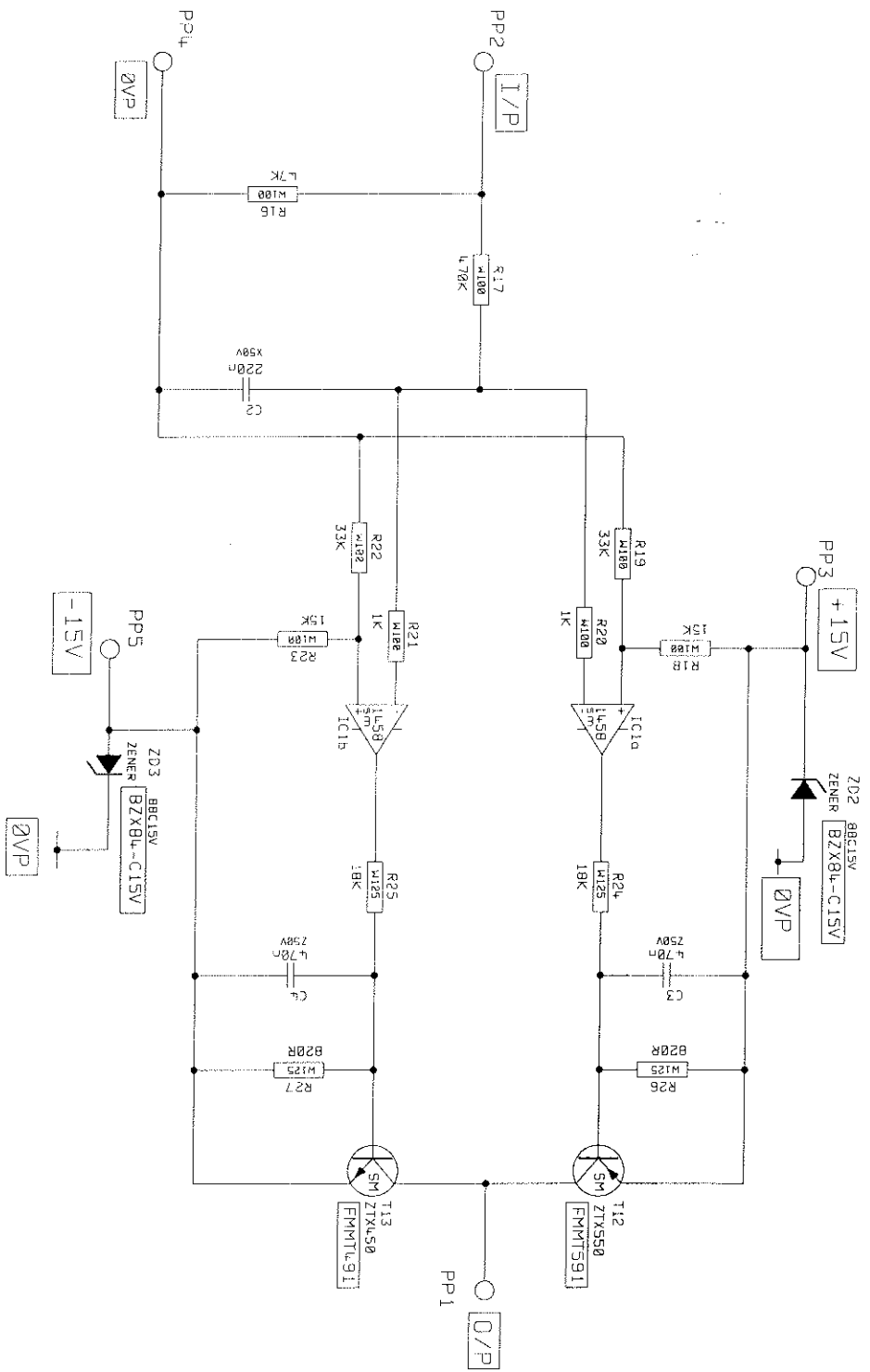
Conquest 12 - Issue 05



CITRONIC LTD. ©
 HALIFAX ROAD
 BOWENHILL
 MELKSHAM
 WILTSHIRE SN12 6UB

ISSUE	MODIFICATION DETAILS	DATE	DRAWN	TITLE	DATE	DRG No	SHT. 1
4	DC147 - R35 CHANGED TO 45K	17/08/95	APPD.	AMPLIFIER HYBRID CIRCUIT	17/08/95	1192	OF 2
							ISSUE
							4

PC1192A*.DGM



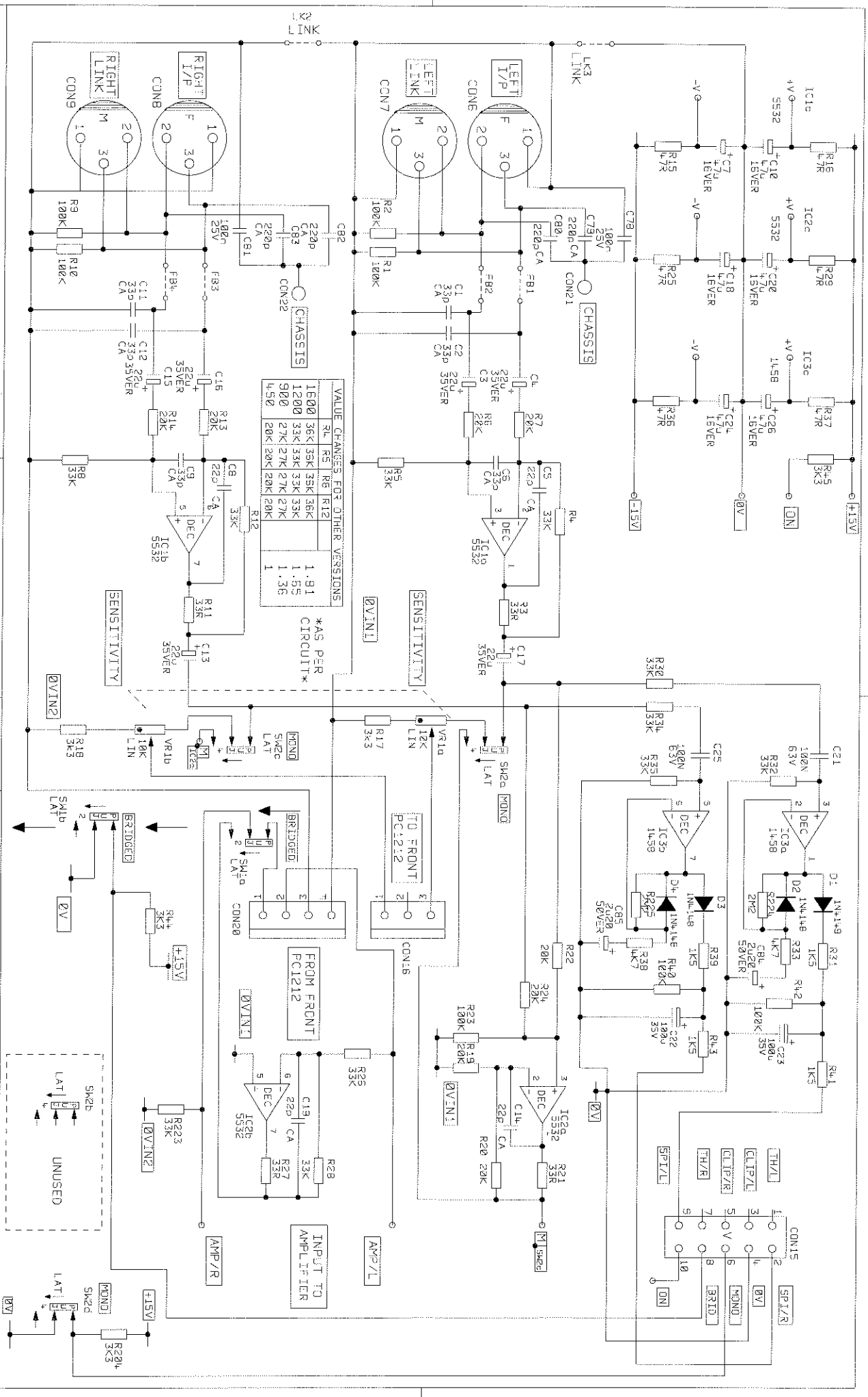
CITRONIC LTD. ©
 HALLEAY ROAD
 BOMERHILL
 MILKSHAM
 WILTSHIRE SN12 6UB

ISSUE	MODIFICATION DETAILS
L	DC14-7 - R35 CHANGED TO 45K

DATE	17/08/95
DRAWN	APFD.

TITLE
 CROWBAR HYBRID CIRCUIT.

DATE	17/08/95	SHT. 2
DRG No	PC1192	OF 2
		ISSUE
		L



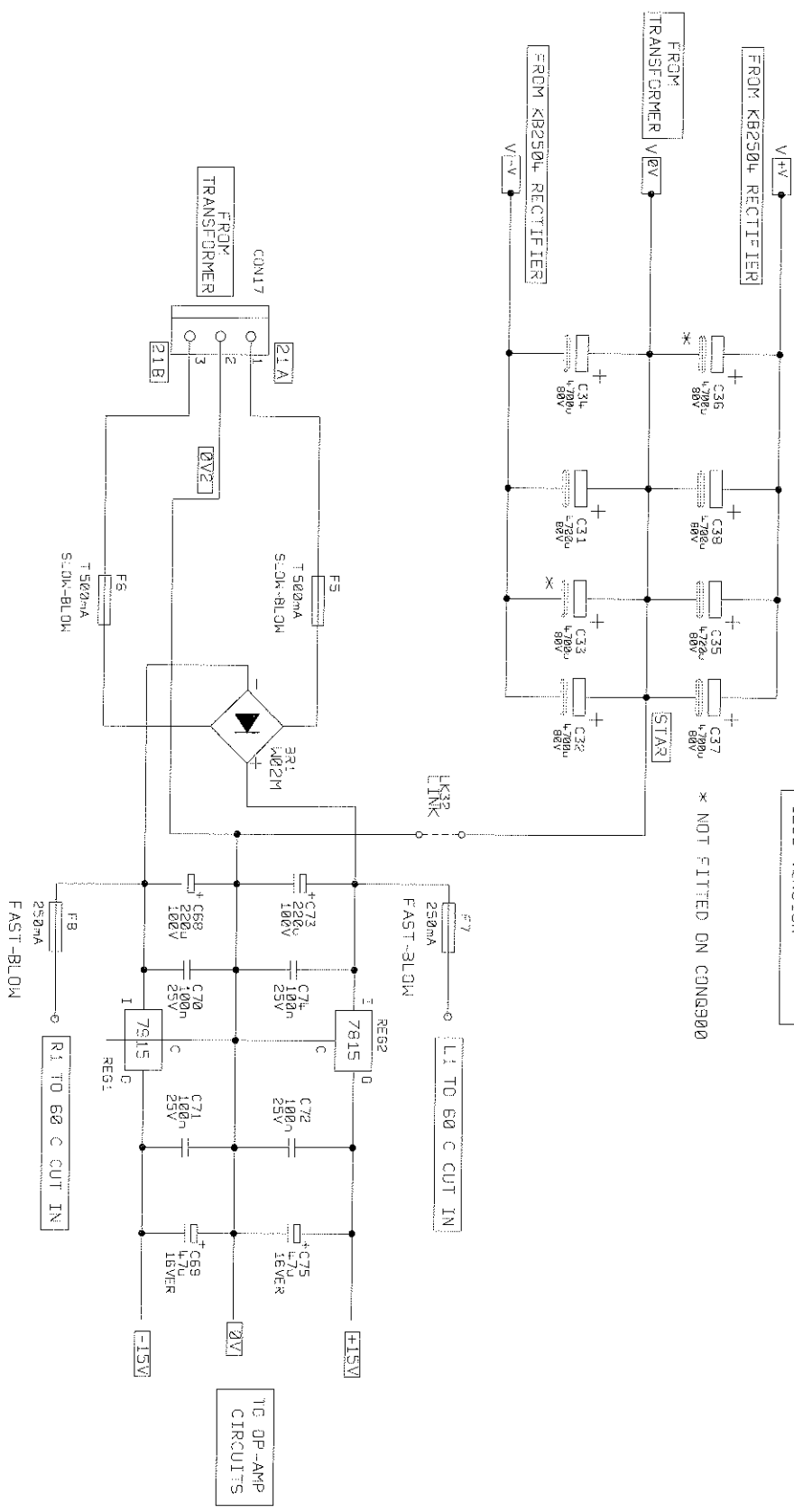
CITRONIC LTD.
 HALIFAX ROAD
 BOWERHILL
 MELKSHAM
 WILTSHIRE SN12 5UB

ISSUE	MODIFICATION DETAILS	DATE
A	FIRST DRAFT	21/12/94
B	2ND PROTOTYPE CHANGES	31/1/95
1	APPROVED DESIGN	02/02/95
2	DC134 POST PRODUCTION	17/03/95
3	DC144 0/5 LEVEL MOD	13/05/95
4	DC147 MUTE CIRCUIT MOD	17/05/95
5	DC152, 168 - ENC/SPI MOD	05/03/96

DRAWN	TITLE	DATE	SHT. OF
PJP	TRIAL CIRCUIT PXP CONQUEST 1200 AMPLIFIER INPUT PCB CIRCUIT.	05/03/96	5
APPD.		Dwg No PC1209D*.DGM	ISSUE 5

100V CAPACITORS AND
K8350+ RECTIFIERS
FITTED ON 900 &
1200 VERSION

* NOT FITTED ON CONQ900

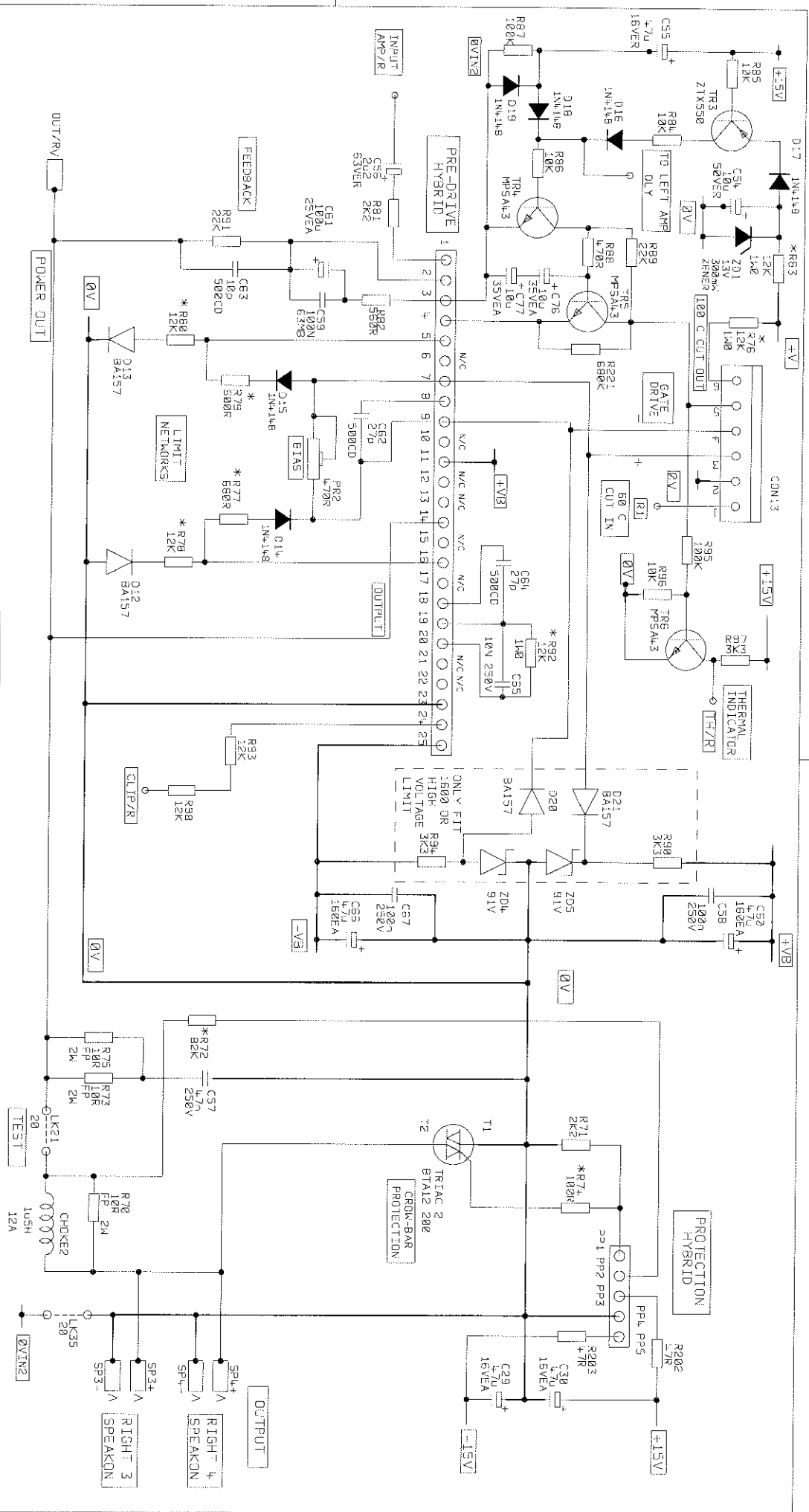


TC OP-AMP
CIRCUITS

CITRONIC LTD. ©

HALIFAX ROAD
BOMERHILL
MELKSHAM
WILTSHIRE SN12 6U8

ISSUE	MODIFICATION DETAILS	DATE	DRAWN	TITLE	DATE	DRG No	SHT. OF
A	FIRST DRAFT	21/12/94	PJP	PPX CONQUEST	05/03/96	PC1209C*.DGM	3
B	2nd PROTO TYPE CHANGES	24/01/95		MAIN PCB			5
1	OC130 B.D. DESIGN	02/02/95					
2	OC130 B.D. DESIGN	17/03/95					
3	OC130 B.D. DESIGN	17/06/95					
4	OC130 B.D. DESIGN	17/06/95					
5	OC130 B.D. DESIGN	05/03/96					



VALUE CHANGES FOR OTHER VERSIONS

	R72	R75	R77	R78	R79	R80	R82	R83	R84
1600	82K	100R	12K	500R	12K	500R	12K	12K	10A
1200	100R	12K	500R	12K	500R	12K	12K	10A	10A
900	100R	12K	500R	12K	500R	12K	12K	10A	10A
450	100R	12K	500R	12K	500R	12K	12K	10A	10A

FUSES

F1	F2	F3	F4
10A	250V	10A	10A

* AS PER CIRCUIT *

CITRONIC LTD. ©

HALIFAX ROAD
BCHERHILL
MELKSHAM
WILTSHIRE SN12 6UB

MODIFICATION DETAILS

ISSUE	MODIFICATION DETAILS	DATE
1	FIRST DRAFT	21/12/94
2	2nd PRODUCTION CHANGES	31/01/95
3	PRODUCTION ISSUE	23/02/95
4	DC 13+ POST PRODUCTION	17/03/95
5	DC 13+ POST PRODUCTION	15/05/95
6	DC 13+ POST PRODUCTION	15/05/95
7	DC 13+ POST PRODUCTION	15/05/95
8	DC 13+ POST PRODUCTION	15/05/95
9	DC 13+ POST PRODUCTION	15/05/95
10	DC 13+ POST PRODUCTION	15/05/95

DRAWN

PJP
APPD.

TITLE

PPX CONQUEST 1200
MAIN PCB
RIGHT CHANNEL

DATE

05/03/96

SHT. 2

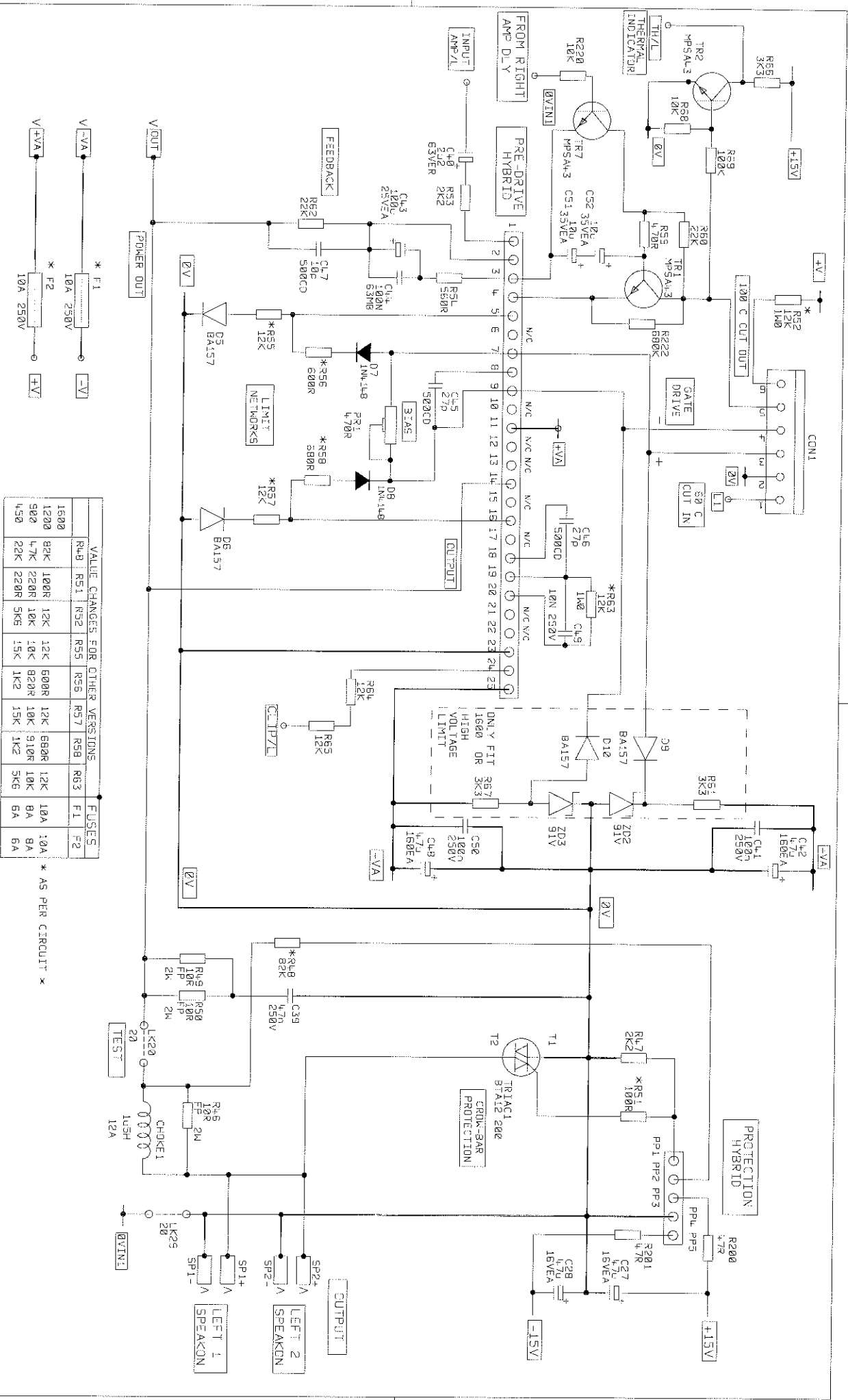
OF 5

DRS No

PC1209B*.DGM

ISSUE

5



VALUE CHANGES FOR OTHER VERSIONS

RES	RES	RES	RES	RES	RES	RES	RES	RES	RES
R4B	R51	R52	R55	R56	R57	R59	R63	F1	F2
150Ω	82K	100R	12K	12K	500R	12K	500R	10A	10A
120Ω	47K	220R	10K	10K	520R	10K	510R	8A	8A
90Ω	22K	220R	5K5	15K	1K2	15K	1K2	5A	5A
45Ω									

* AS PER CIRCUIT *

MODIFICATION DETAILS

ISSUE	MODIFICATION DETAILS	DATE	DRMAN	TITLE
A	FIRST DRAFT	31/12/95	PJP	PPX CONQUEST
B	20G PROTOTYPE CHANGES	23/02/96		MAIN PCB
C	PRODUCTION ISSUE	17/03/96		LEFT CHANNEL
	DC 134 P051 PRODUCTION	13/06/95		
	DC 144 O/P LEVEL MOD	17/09/95		
	DC 152/158 - ENC/SP1 MOD	05/03/96		

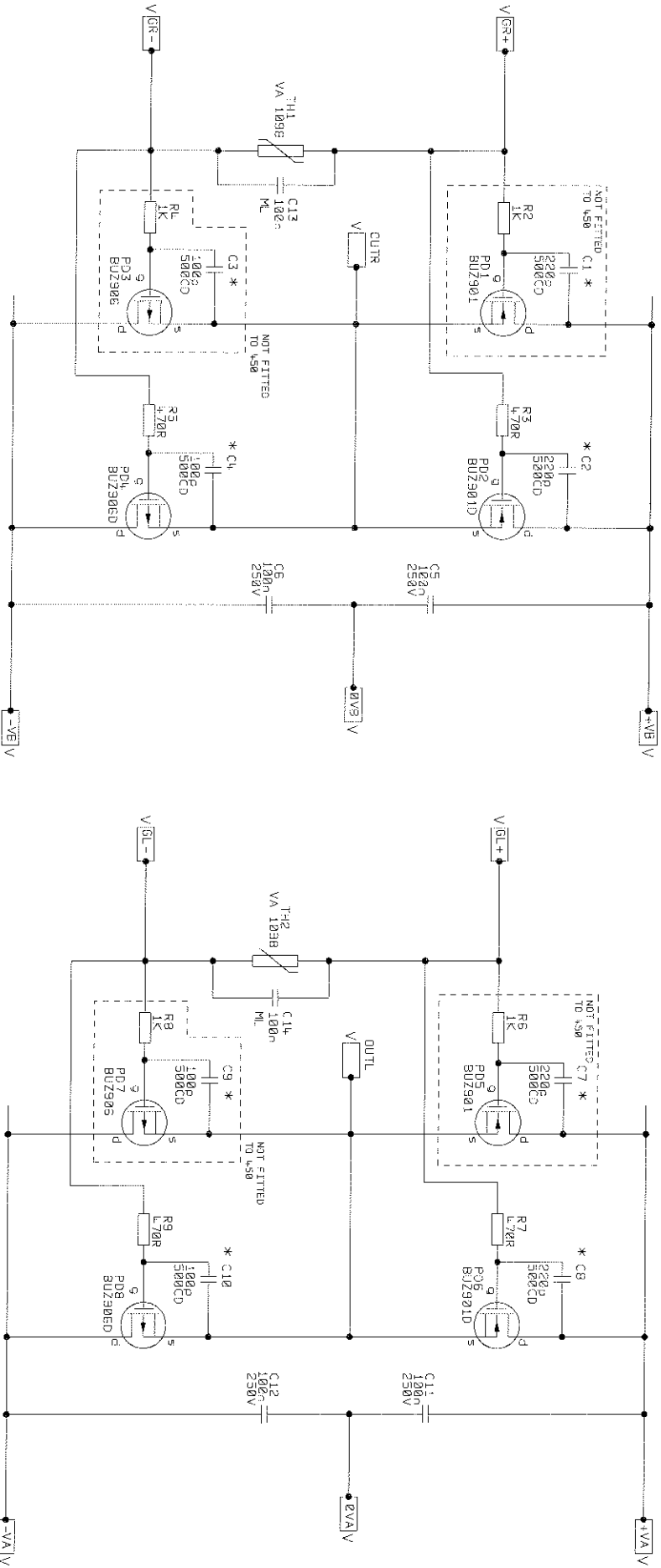
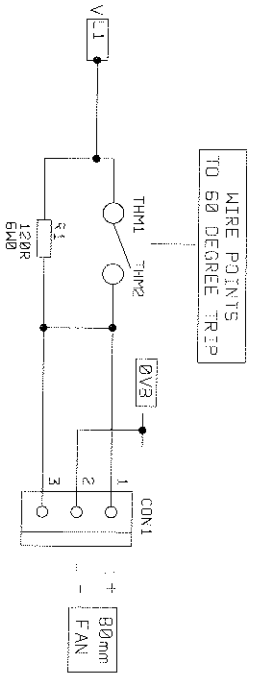
CITRONIC LTD. ©
 HALIFAX ROAD
 BOWENHILL
 MELKSHAM
 WILTSHIRE SN12 6UB

DATE 05/03/96

DRG No PC1209A*.DGM

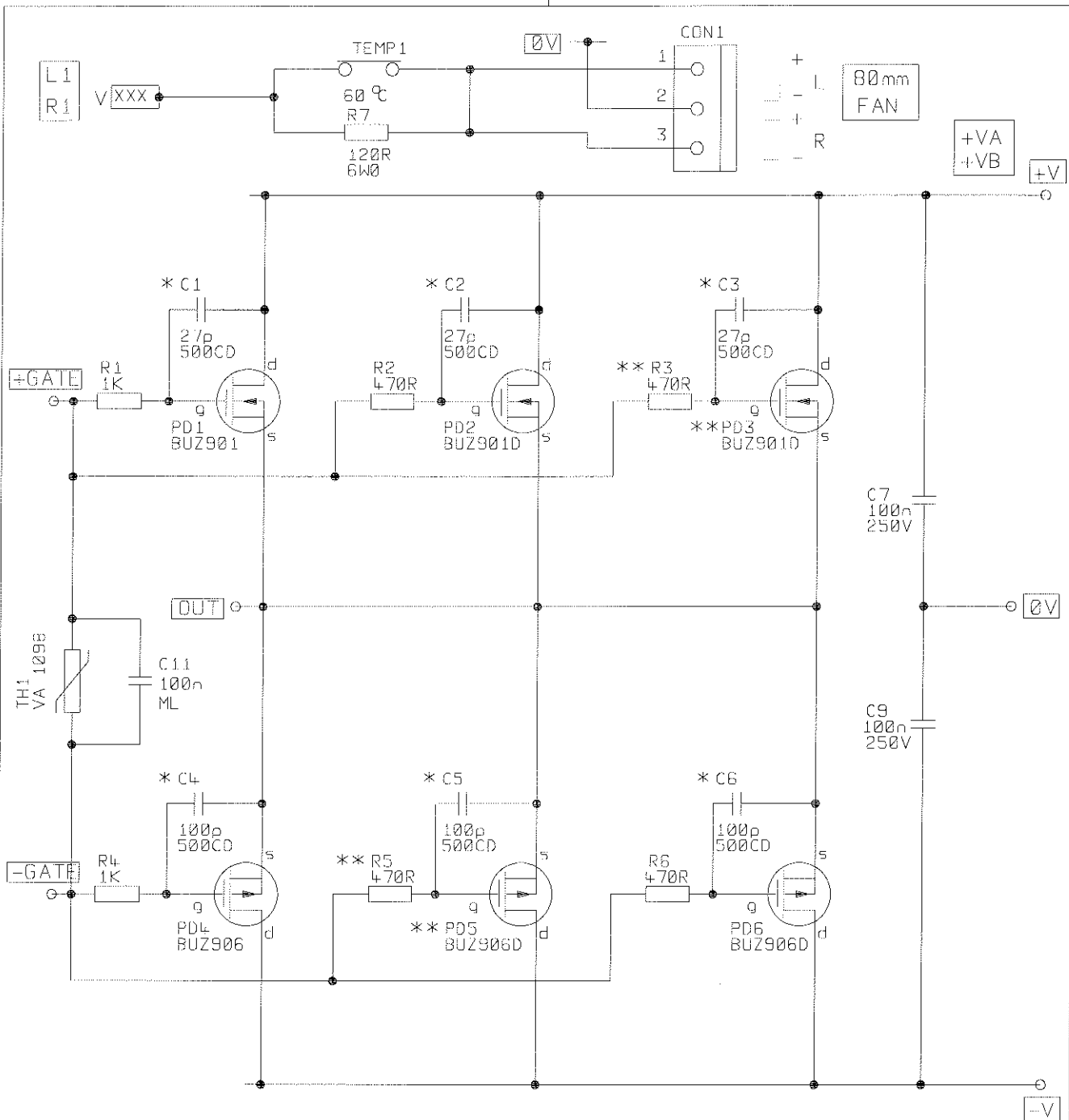
SHT. 1 OF 5

ISSUE 5



CITRONIC LTD. ©
 HALIFAX ROAD
 BOWERHILL
 MELKSHAM
 WILTSHIRE SN12 6UB

MODIFICATION DETAILS		DATE	DRAWN	TITLE	DATE	SHT. OF
A	FIRST DRAFT	13/12/94		PC1213	01/02/95	1 1
B	2ND PROTOTYPE/APPROVAL	11/1/95	APPD.	L50 STEREO	DRG No	
1	PRODUCTION ISSUE	17/02/95		POWER DEVICE BOARD	PC1213A*.DGM	1



* NOTE: C1 TO C3 FITTED ON CONQ16
BUILD OPTION (CITPCA1211/3)
C4 TO C6 NOT FITTED

** NOT FITTED ON
CONQ5 BUILD OPTION
(CITPCA1211/2).

-VA
-VB
FROM
PC1209

ISSUE	MODIFICATIONS
A	FIRST DRAFT 28/11/94
B	11/1/95
C	PRODUCTION ISSUE
2	POST PROD DC134
3	EMC MODS DC157

CITRONIC
HALIFAX ROAD
BOWERHILL
MELKSHAM
WILTS
SN12 6UB



TITLE. PPX CONQUEST
POWER DEVICE BOARD

DRAWN	DATE	SHT 1
	23/04/96	OF 1
APPD.	DRG No.	ISSUE
	PC1211A*.DGM	3