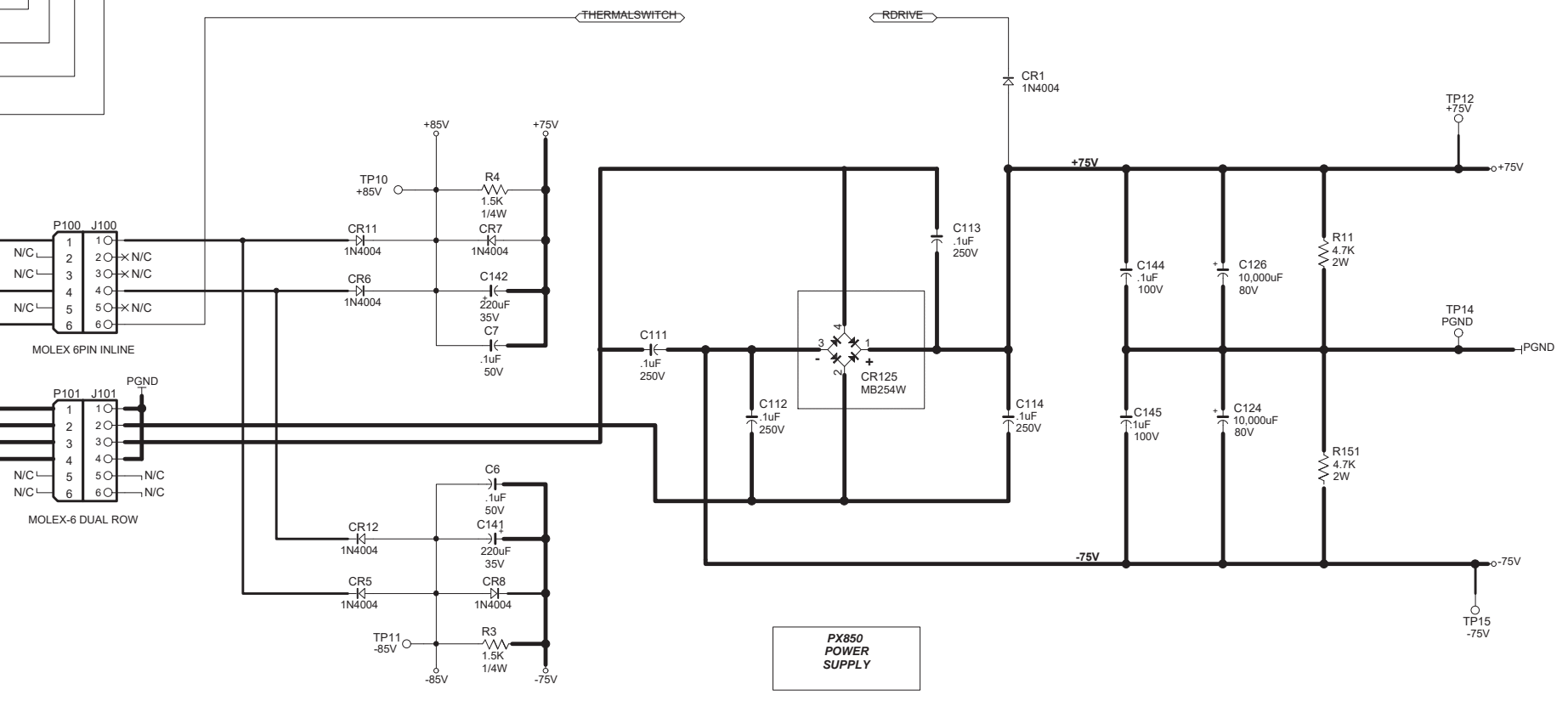
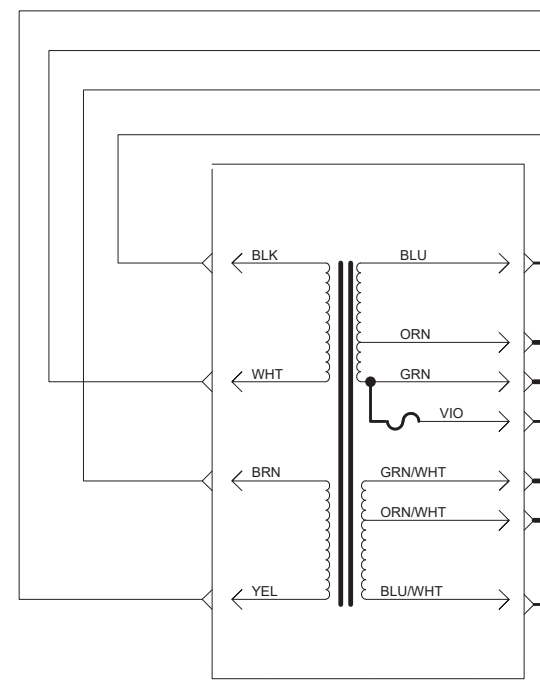
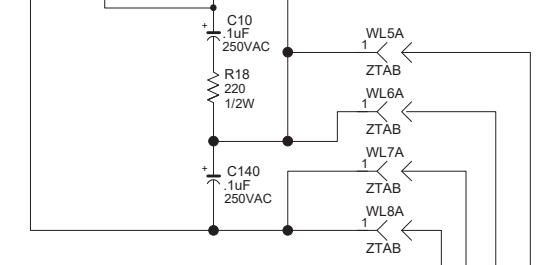
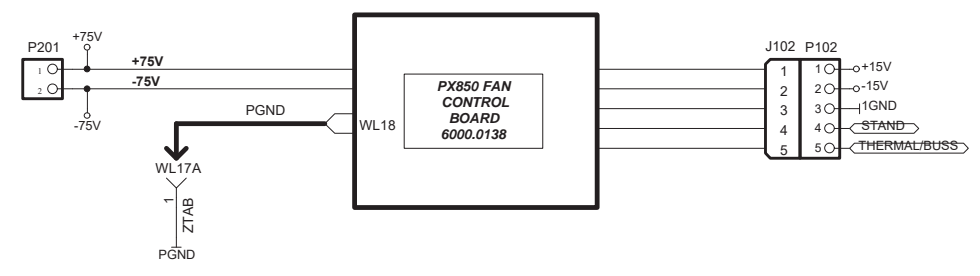
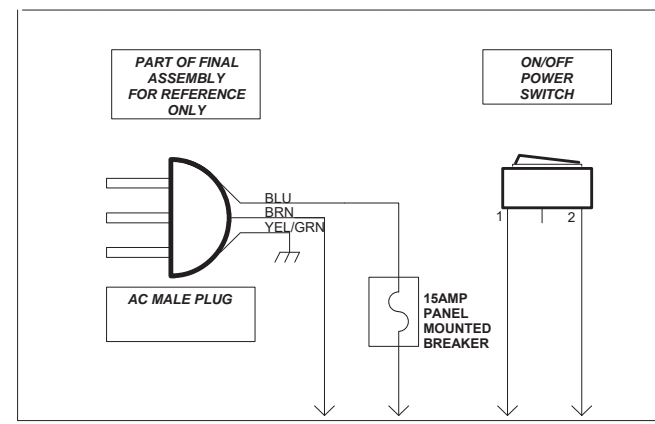


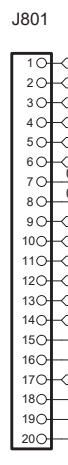
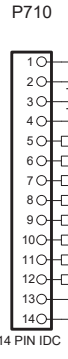
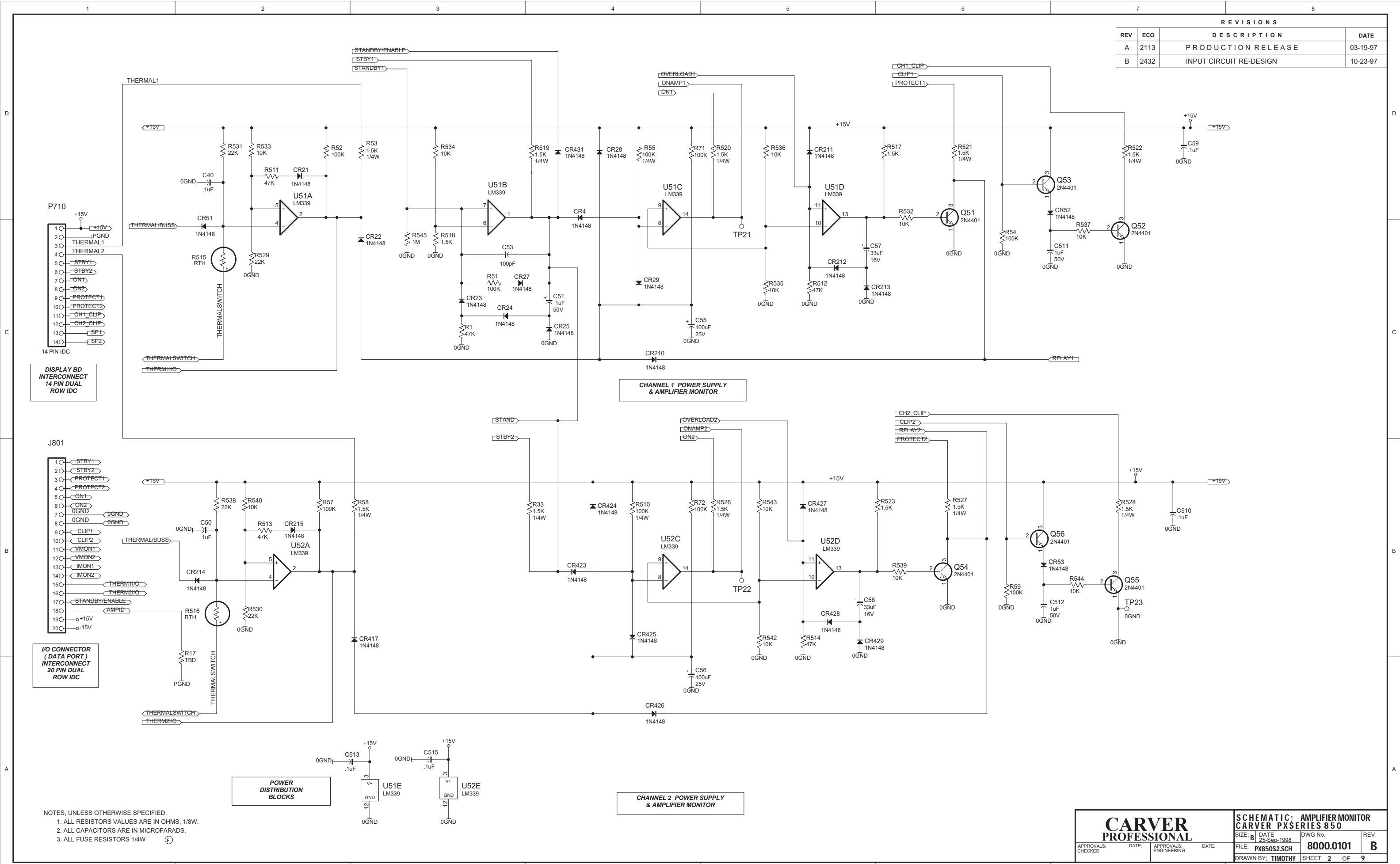
REVISIONS			
REV	ECO	DESCRIPTION	DATE
A	2114	PRODUCTION RELEASE	04-14-97
B	2432	INPUT CIRCUIT RE-DESIGN	10-23-97



NOTES: UNLESS OTHERWISE SPECIFIED.
 1. ALL RESISTORS ARE IN OHMS.
 2. ALL CAPACITORS ARE IN MICROFARADS.

CARVER PROFESSIONAL APPROVALS: CHECKED _____ DATE: _____ APPROVALS: ENGINEERING _____ DATE: _____		SCHEMATIC; AC POWER SUPPLY CARVER PX SERIES 850	
		FILE: PX850S1SCH DRAWN BY: TIMOTHY	DWG No. 8000.0101 SHEET 1 OF 9

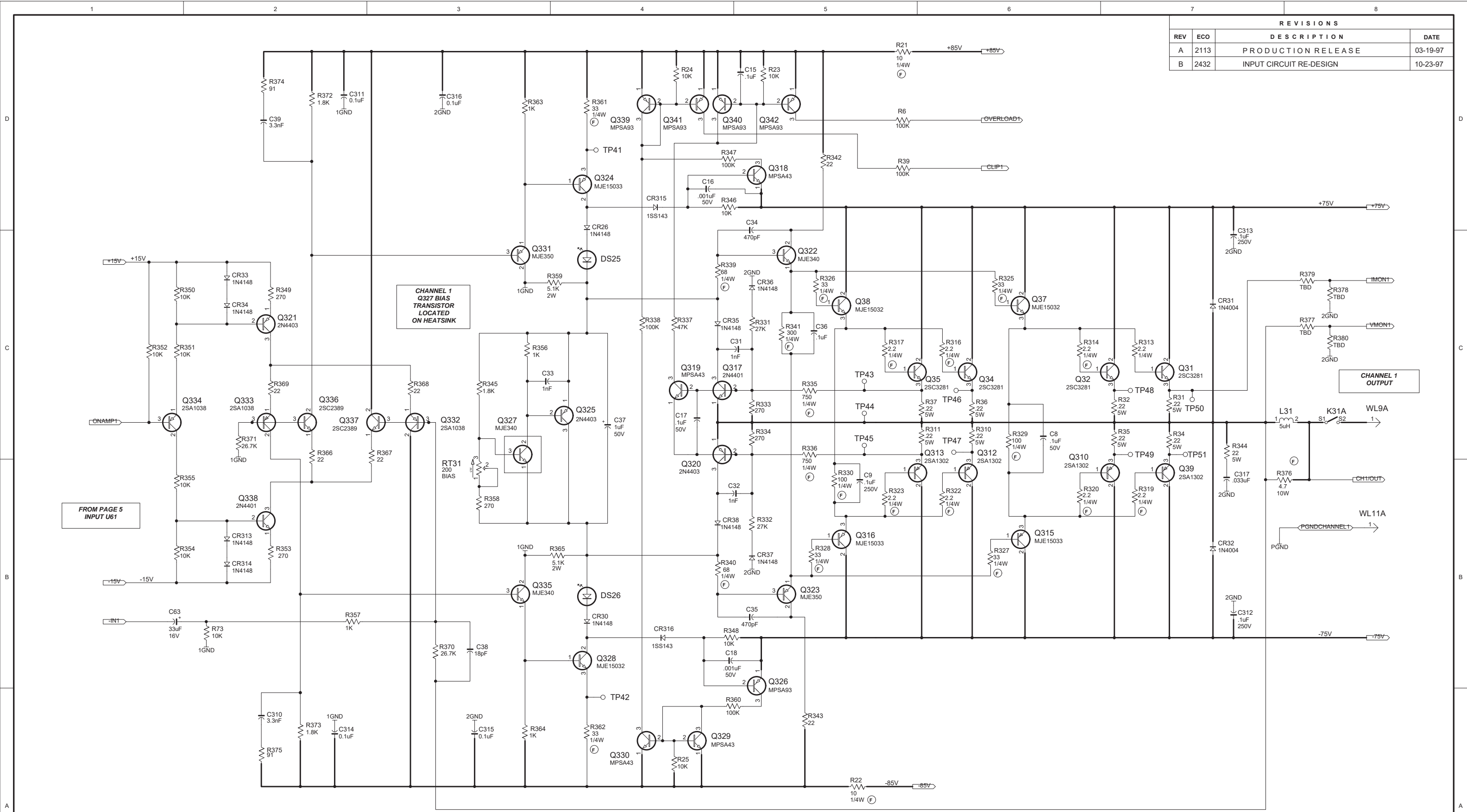
REVISIONS			
REV	ECO	DESCRIPTION	DATE
A	2113	PRODUCTION RELEASE	03-19-97
B	2432	INPUT CIRCUIT RE-DESIGN	10-23-97



NOTES: UNLESS OTHERWISE SPECIFIED.
 1. ALL RESISTORS VALUES ARE IN OHMS, 1/8W.
 2. ALL CAPACITORS ARE IN MICROFARADS.
 3. ALL FUSE RESISTORS 1/4W (F)

CARVER PROFESSIONAL APPROVALS: CHECKED _____ DATE: _____ APPROVALS: ENGINEERING _____ DATE: _____		SCHEMATIC: AMPLIFIER MONITOR CARVER PXSERIES 850	
		FILE: PX850S2.SCH DRAWN BY: TIMOTHY	DWG No. 8000.0101 SHEET 2 OF 9

REVISIONS			
REV	ECO	DESCRIPTION	DATE
A	2113	PRODUCTION RELEASE	03-19-97
B	2432	INPUT CIRCUIT RE-DESIGN	10-23-97



CHANNEL 1
Q327 BIAS
TRANSISTOR
LOCATED
ON HEATSINK

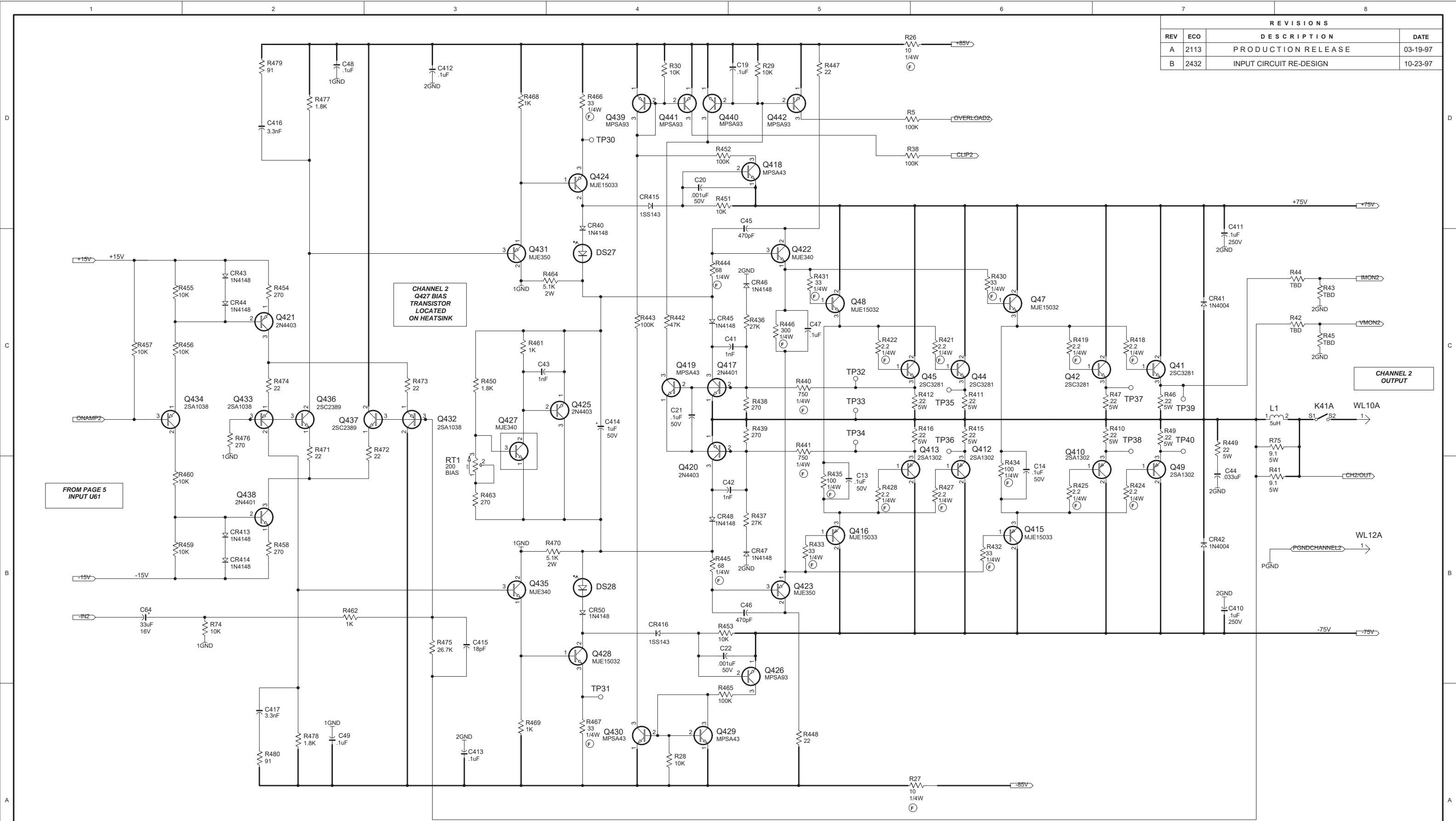
FROM PAGE 5
INPUT U61

CHANNEL 1
AMPLIFIER
STAGE

- NOTES: UNLESS OTHERWISE SPECIFIED.
1. ALL RESISTORS VALUES ARE IN OHMS, 1/8W.
 2. ALL CAPACITORS ARE IN MICROFARADS.
 3. ALL FUSE RESISTORS 1/4W (E)

CARVER PROFESSIONAL APPROVALS: CHECKED DATE: APPROVALS: ENGINEERING DATE:		SCHEMATIC; CHANNEL 1 AMPLIFIER CARVER PX SERIES 850	
		FILE: PX850S3.SCH DRAWN BY: TIMOTHY	DATE: 25-Sep-1998 DWG No. 8000.0101 SHEET 3 OF 9

REVISIONS			
REV	ECO	DESCRIPTION	DATE
A	2113	PRODUCTION RELEASE	03-19-97
B	2432	INPUT CIRCUIT RE-DESIGN	10-23-97



CHANNEL 2
Q427 BIAS
TRANSISTOR
LOCATED
ON HEATSINK

CHANNEL 2
AMPLIFIER
STAGE

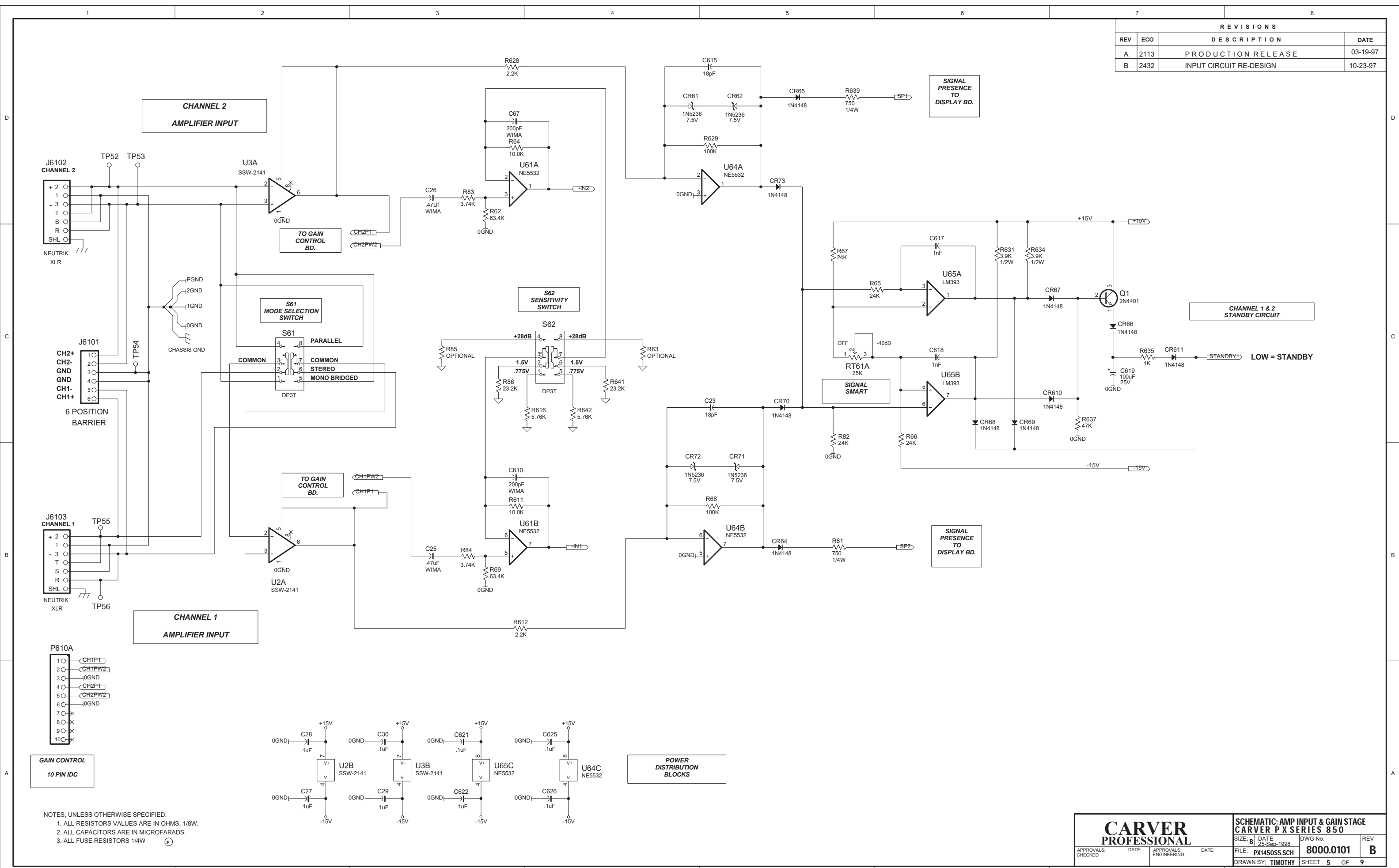
FROM PAGE 5
INPUT U61

CHANNEL 2
OUTPUT

- NOTES: UNLESS OTHERWISE SPECIFIED.
1. ALL RESISTORS VALUES ARE IN OHMS, 1/8W.
 2. ALL CAPACITORS ARE IN MICROFARADS.
 3. ALL FUSE RESISTORS 1/4W

		SCHEMATIC: CHANNEL 2 AMPLIFIER	
		CARVER PX SERIES 850	
APPROVALS: CHECKED	DATE:	APPROVALS: ENGINEERING	DATE:
FILE: PX850S4.SCH	DWG No. 8000.0101	REV B	
DRAWN BY: TIMOTHY		SHEET 4 OF 9	

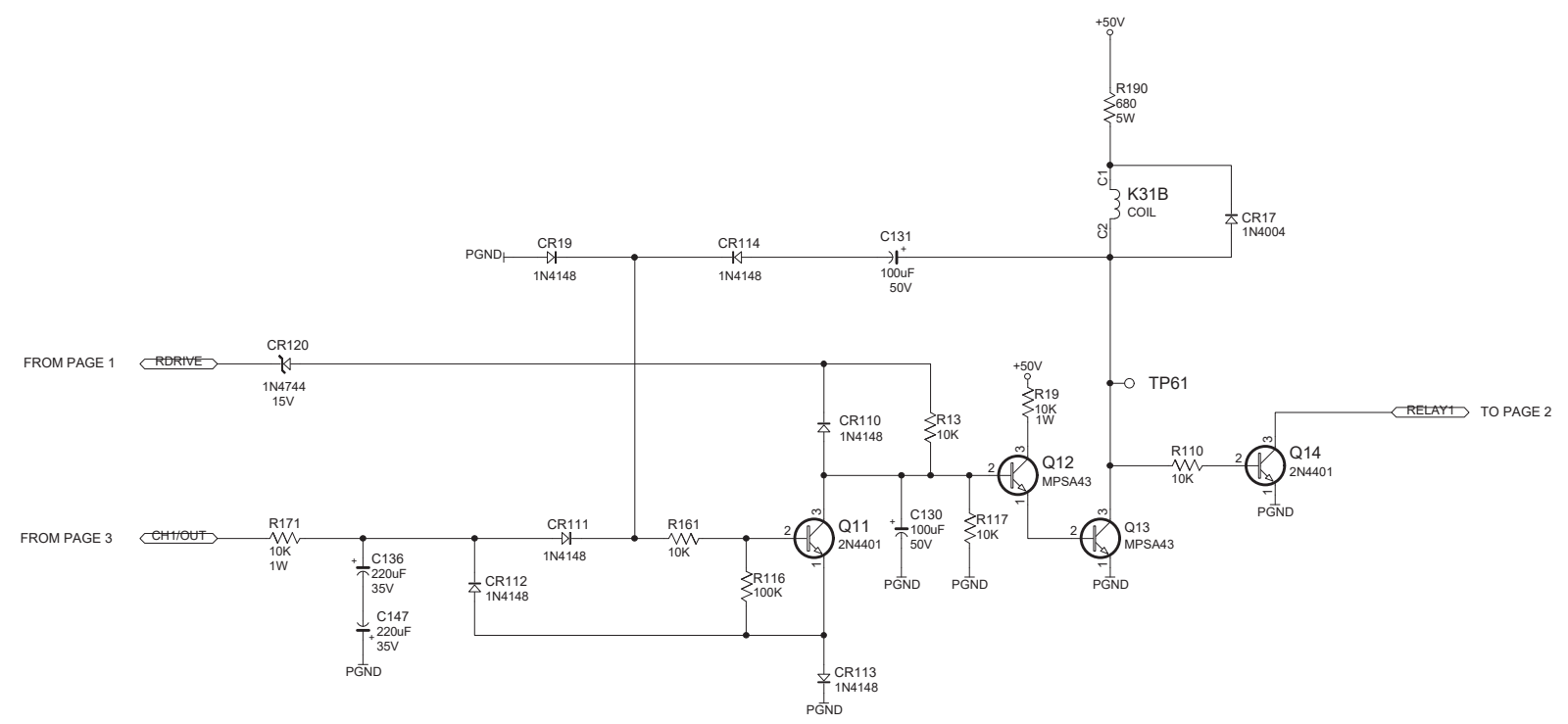
REVISIONS			
REV	ECO	DESCRIPTION	DATE
A	2113	PRODUCTION RELEASE	03-19-97
B	2432	INPUT CIRCUIT RE-DESIGN	10-23-97



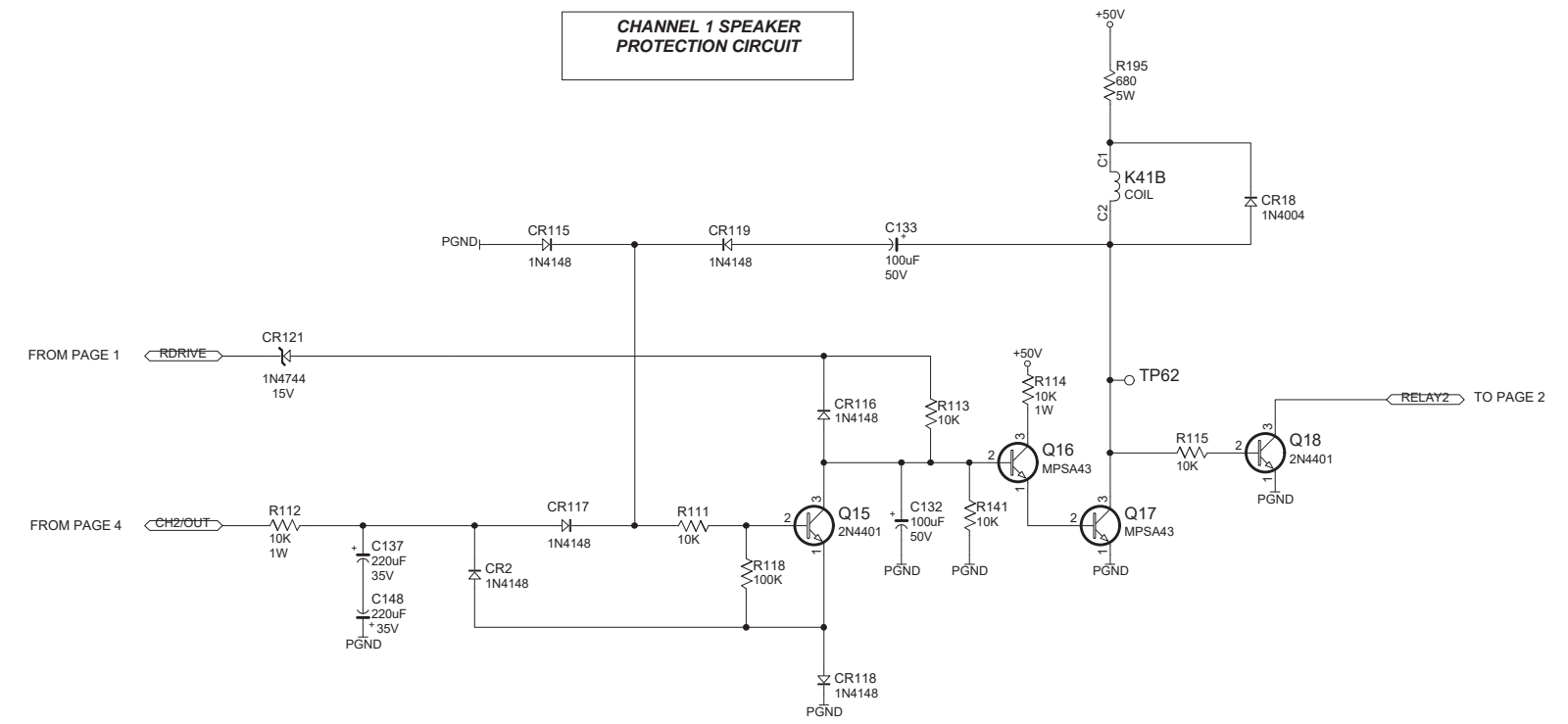
NOTES; UNLESS OTHERWISE SPECIFIED.
 1. ALL RESISTORS VALUES ARE IN OHMS, 1/8W.
 2. ALL CAPACITORS ARE IN MICROFARADS.
 3. ALL FUSE RESISTORS 1/4W

CARVER PROFESSIONAL <small>APPROVALS: CHECKED</small>		SCHEMATIC; AMP INPUT & GAIN STAGE CARVER PX SERIES 850	
		<small>DATE: 25-Sep-1998</small> <small>FILE: PX1450S5.SCH</small> <small>DRAWN BY: TIMOTHY</small>	<small>DWG No. 8000.0101</small> <small>SHEET 5 OF 9</small>
<small>APPROVALS: ENGINEERING</small>	<small>DATE:</small>	<small>APPROVALS: ENGINEERING</small>	<small>DATE:</small>

REVISIONS			
REV	ECO	DESCRIPTION	DATE
A	2113	PRODUCTION RELEASE	03-19-97
B	2432	INPUT CIRCUIT RE-DESIGN	10-23-97



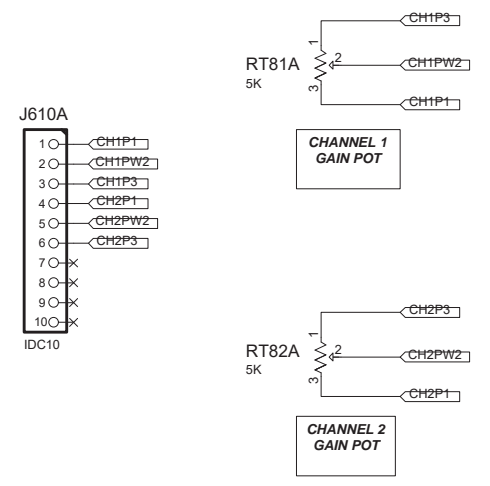
CHANNEL 1 SPEAKER PROTECTION CIRCUIT



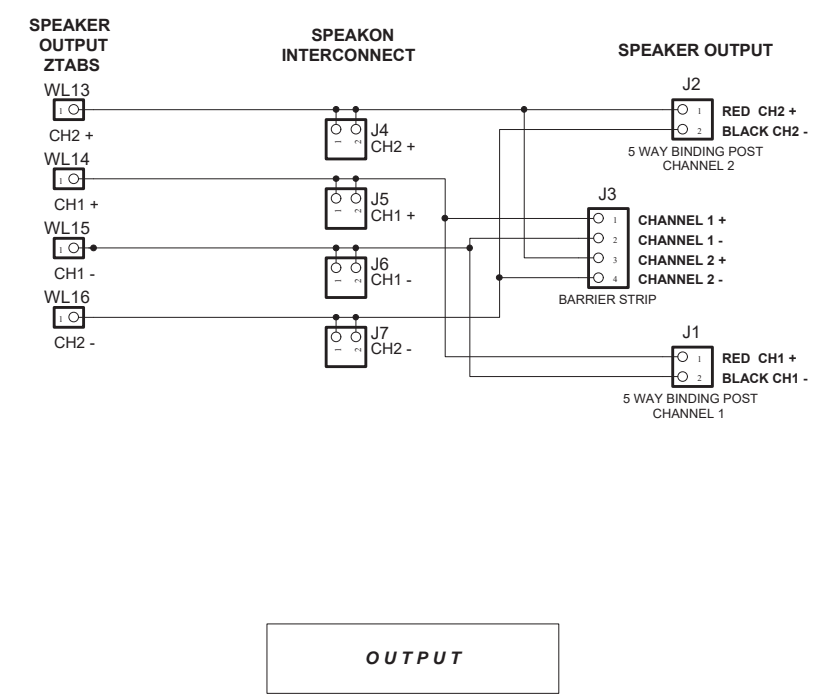
CHANNEL 2 SPEAKER PROTECTION CIRCUIT

		SCHEMATIC; SPEAKER PROTECTION	
		CARVER PX SERIES 850	
APPROVALS: CHECKED	DATE:	APPROVALS: ENGINEERING	DATE:
FILE: PX850S6.SCH	DATE: 25-Sep-1998	DWG No. 8000.0101	REV B
DRAWN BY: TIMOTHY		SHEET 6 OF 9	

REVISIONS			
REV	ECO	DESCRIPTION	DATE
A	2113	PRODUCTION RELEASE	03-19-97
B	2432	INPUT CIRCUIT RE-DESIGN	10-23-97



GAIN CONTROL

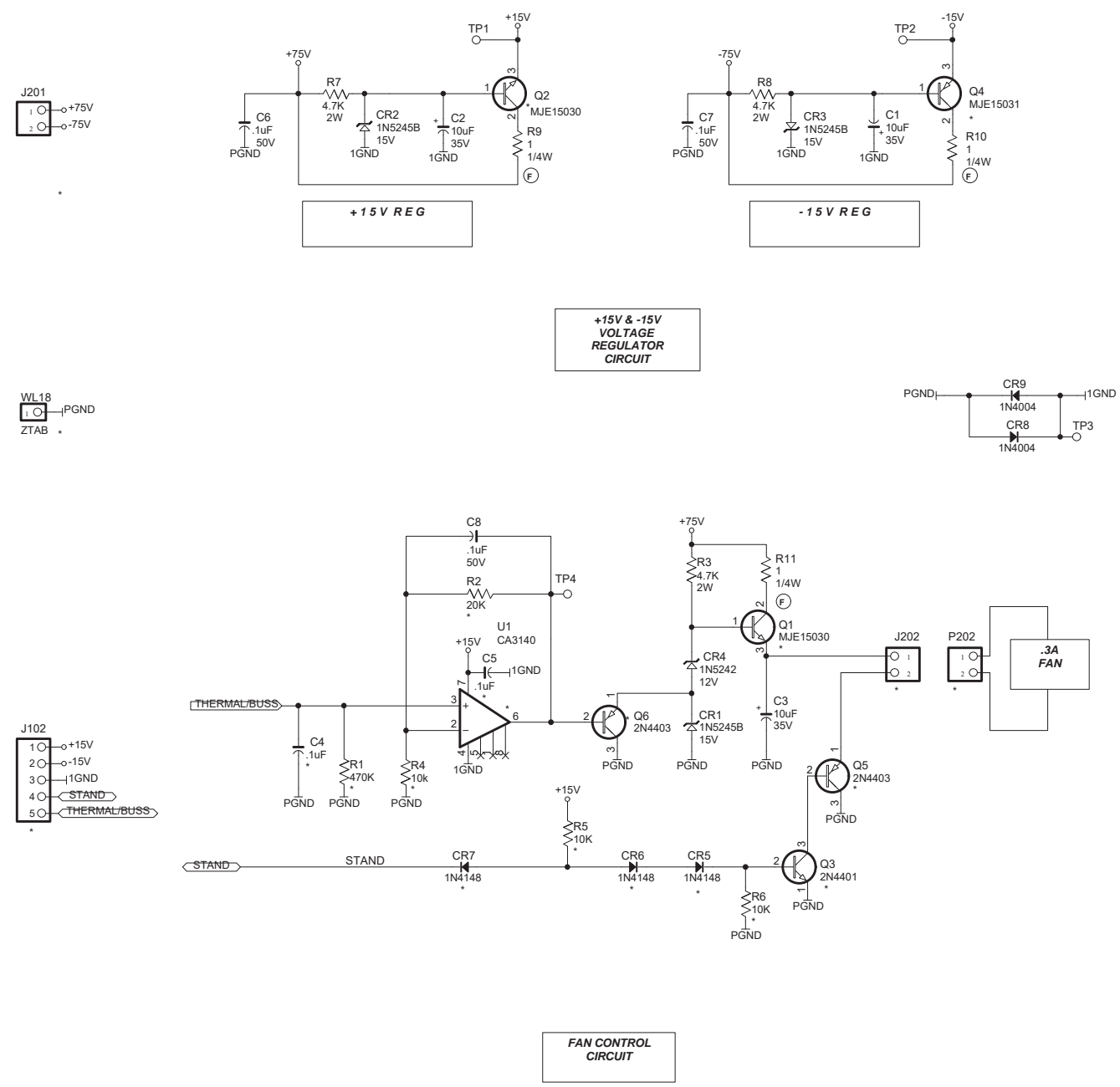


OUTPUT

- NOTES: UNLESS OTHERWISE SPECIFIED.
1. ALL RESISTORS VALUES ARE IN OHMS, 1/8W.
 2. ALL CAPACITORS ARE IN MICROFARADS.
 3. ALL FUSE RESISTORS 1/4W

		SCHEMATIC; GAIN CONTROL & OUTPUT CARVER PX SERIES 850	
		SIZE: B DATE: 25-Sep-1998	DWG No. 8000.0101 REV: B
APPROVALS: CHECKED	DATE:	APPROVALS: ENGINEERING	DATE:
DRAWN BY: TIMOTHY		SHEET 7 OF 9	

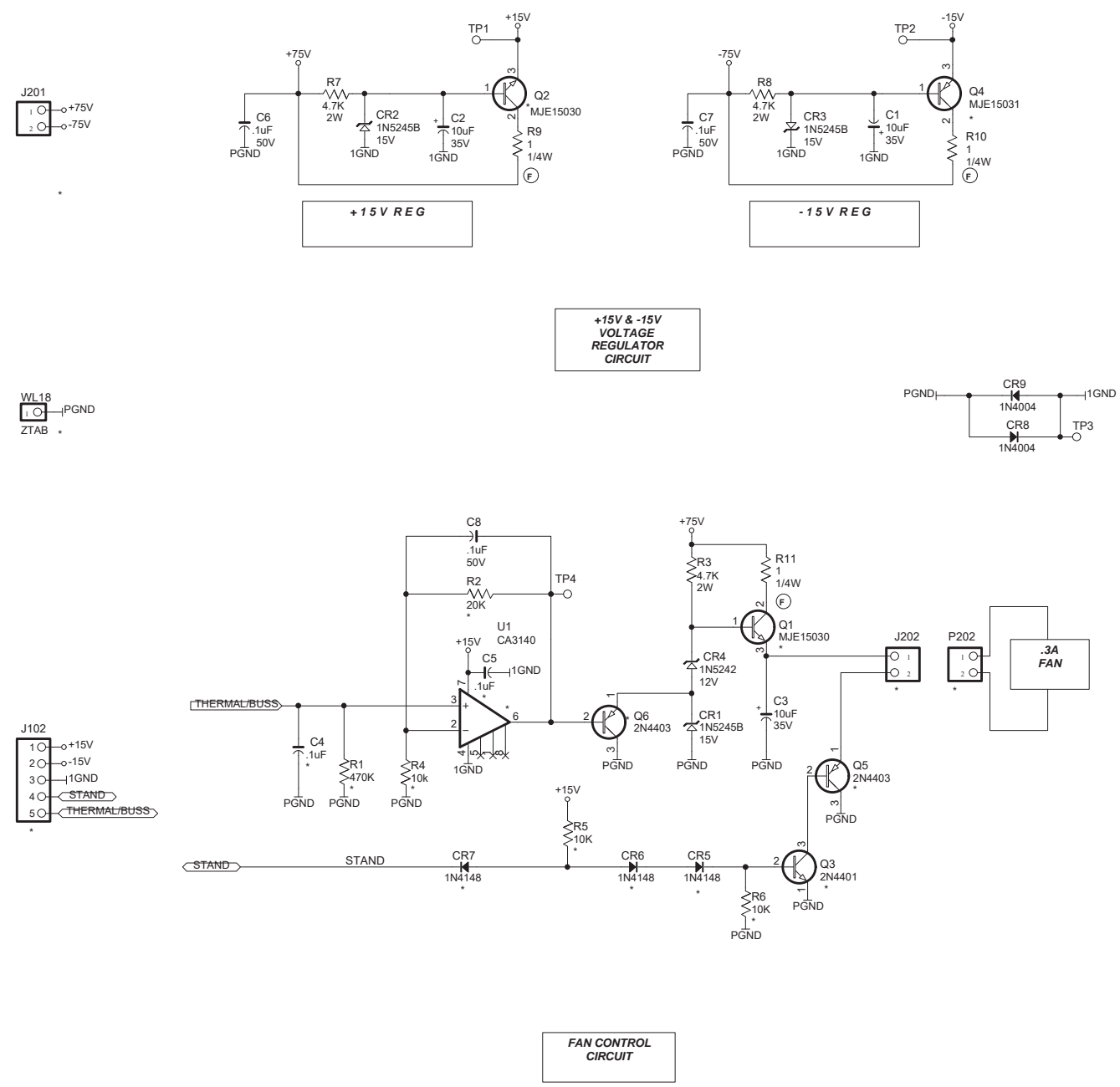
REVISIONS			
REV	ECO	DESCRIPTION	DATE
A	2114	PRODUCTION RELEASE	04-14-97
B	2432	INPUT CIRCUIT RE-DESIGN	10-23-97



NOTES: UNLESS OTHERWISE SPECIFIED.
 1. ALL RESISTORS VALUES ARE IN OHMS, 1/8W.
 2. ALL CAPACITORS ARE IN MICROFARADS.
 3. ALL FUSE RESISTORS 1/4W (F)

CARVER PROFESSIONAL <small>APPROVALS: CHECKED</small>		SCHEMATIC; FAN CONTROL CARVER PX SERIES 850	
		<small>DATE: 25-Sep-1998</small> <small>FILE: PX850S9.SCH</small> <small>DRAWN BY: TIMOTHY</small>	<small>DWG No. 8000.0101</small> <small>SHEET 9 OF 9</small>

REVISIONS			
REV	ECO	DESCRIPTION	DATE
A	2114	PRODUCTION RELEASE	04-14-97
B	2432	INPUT CIRCUIT RE-DESIGN	10-23-97



NOTES: UNLESS OTHERWISE SPECIFIED.
 1. ALL RESISTORS VALUES ARE IN OHMS, 1/8W.
 2. ALL CAPACITORS ARE IN MICROFARADS.
 3. ALL FUSE RESISTORS 1/4W (F)

		SCHEMATIC; FAN CONTROL CARVER PX SERIES 850	
		SIZE: B DATE: 25-Sep-1998	DWG No. 8000.0101 REV: B
APPROVALS: CHECKED	DATE:	APPROVALS: ENGINEERING	DATE:
DRAWN BY: TIMOTHY		SHEET 9 OF 9	