

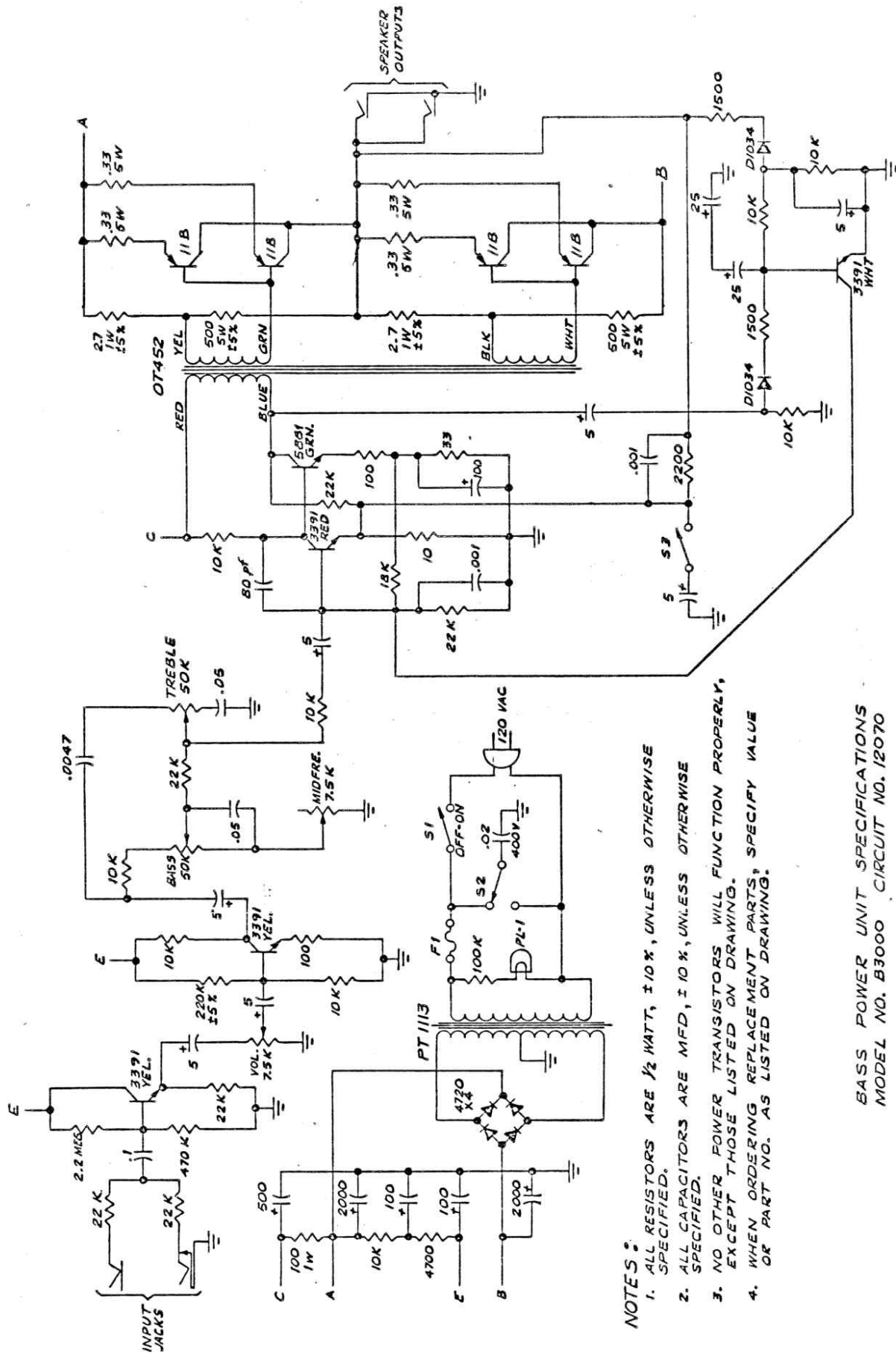
3. CIRCUIT IS SUBJECT TO MINOR CHANGE WITHOUT NOTICE.

2. ALL RESISTORS ARE LOW NOISE FILM, 1/2 W, 5%.

1. ALL CAPACITORS ARE LISTED IN M.F. 10% MYLAR FILM.

NOTES: UNLESS OTHERWISE SPECIFIED:

CARVIN MANUFACTURING	
SCHEMATIC	
SOLID STAT	BASS AMP.
B2000	7-3-74 63456



VOLTAGE CHART
 LINE VOLTAGE 120 VAC

A	+40 VDC
B	-40
C	+35
E	+15

- NOTES:
1. ALL RESISTORS ARE 1/2 WATT, ±10%, UNLESS OTHERWISE SPECIFIED.
 2. ALL CAPACITORS ARE MFD, ±10%, UNLESS OTHERWISE SPECIFIED.
 3. NO OTHER POWER TRANSISTORS WILL FUNCTION PROPERLY, EXCEPT THOSE LISTED ON DRAWING.
 4. WHEN ORDERING REPLACEMENT PARTS, SPECIFY VALUE OR PART NO. AS LISTED ON DRAWING.

BASS POWER UNIT SPECIFICATIONS
 MODEL NO. B3000 CIRCUIT NO. 12070

RMS OUTPUT WITH LESS THAN 3% DISTORTION: 200W @ 2 OHMS, 160W @ 4 OHMS
 MINIMUM SPEAKER IMPEDANCE: 2 OHMS
 INPUT IMPEDANCE: 10K-100K OHMS
 INPUT SENSITIVITY: 20MV @ 1.5KHz