

© COPYRIGHT

The Audio Partnership  
 Gallery Court  
 Hankney Place  
 LONDON SE1 4BB  
 Tel: +44 (0)171 940 2200  
 Fax: +44 (0)171 940 2233

GENERAL NOTES

- 1.
- 2.
- 3.
- 4.
- 5.

DRAWING TITLE  
 SAPI5N/P POWER AMP

SHEET TITLE  
 POWER SUPPLY

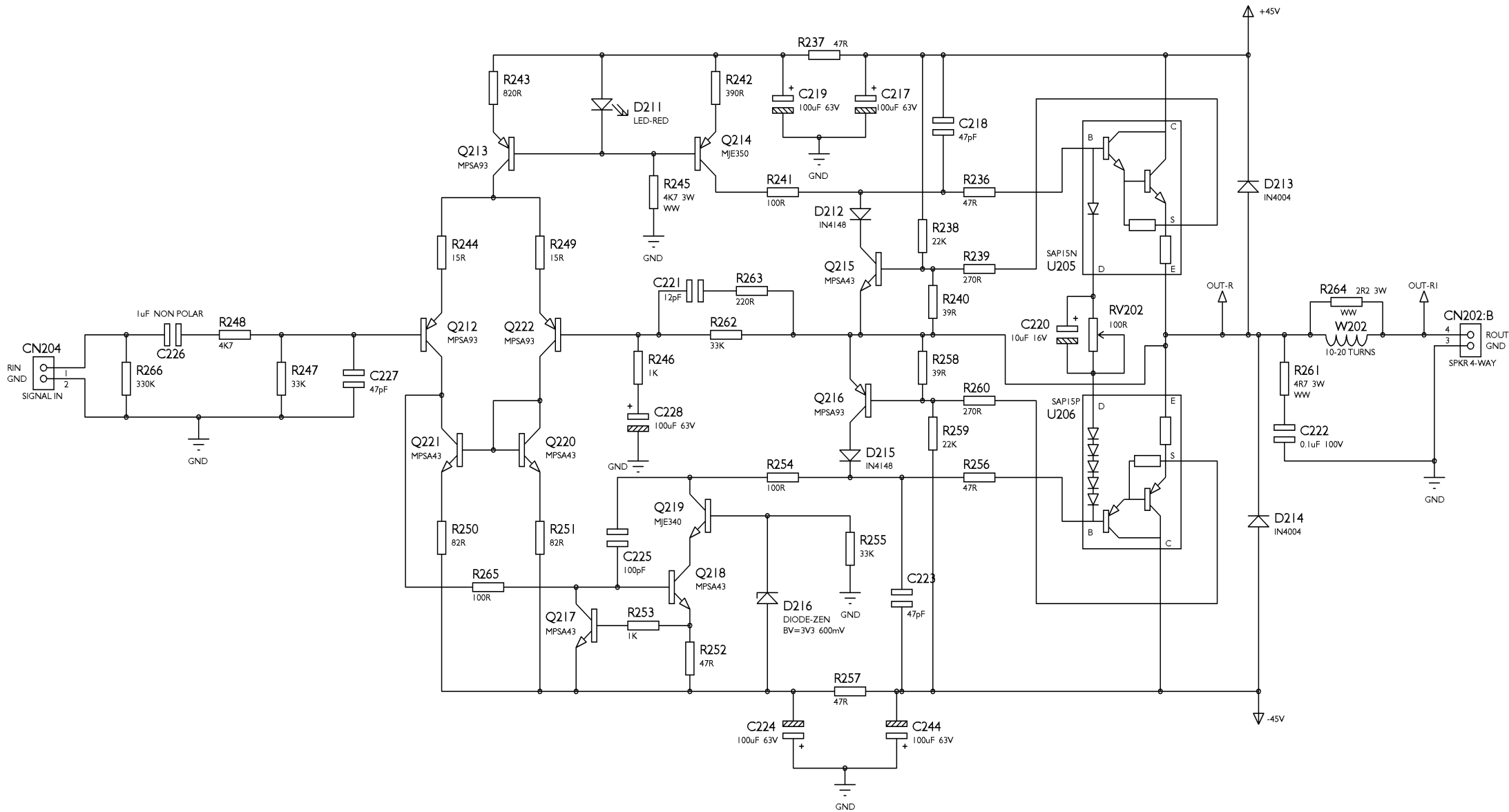
DRAWING No. AP10687/2

PAGE 1/3

DRAWN BY  
 NF

DATE  
 29/12/98

CHECKED BY



© COPYRIGHT  
**The Audio Partnership**  
 Gallery Court  
 Hankey Place  
 LONDON SE1 4BB  
 Tel: +44 (0)171 940 2200  
 Fax: +44 (0)171 940 2233

GENERAL NOTES

1. ww - WIREWOUND
2. 22 SWG TINNED COPPER WIRE FOR W101
- 3.
- 4.
- 5.

DRAWING TITLE  
**SAP15N/P POWER AMP**

SHEET TITLE  
**RIGHT CHANNEL**

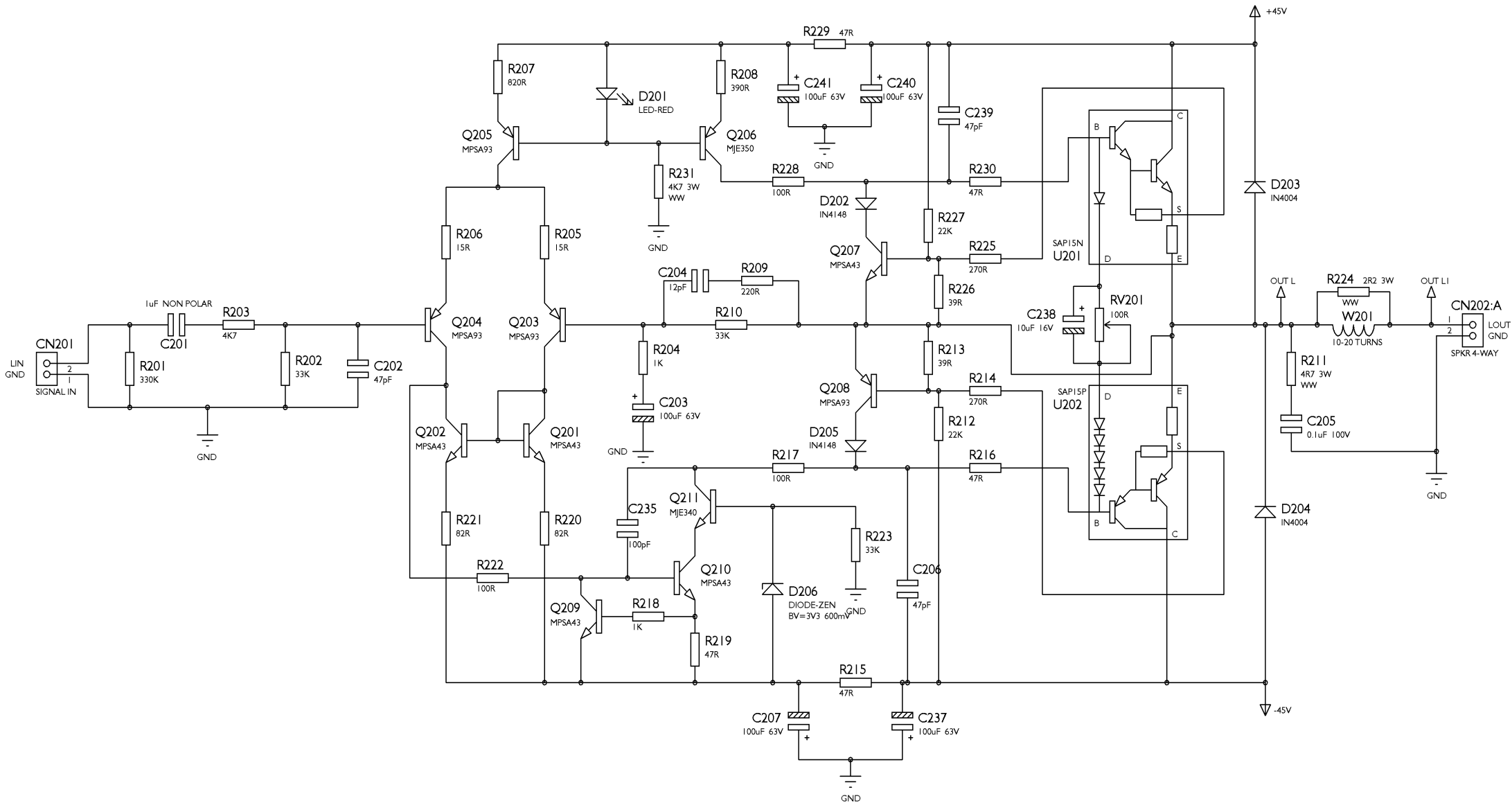
DRAWING No. **API0687/2**

PAGE **2/3**

DRAWN BY  
**NF**

DATE  
**29/12/98**

CHECKED BY



© COPYRIGHT

The Audio Partnership  
 Gallery Court  
 Hankey Place  
 LONDON SE1 4BB  
 Tel : +44 (0)171 940 2200  
 Fax : +44 (0)171 940 2233

GENERAL NOTES

1. ww - WIREWOUND
2. 22 SWG TINNED COPPER WIRE FOR W301
- 3.
- 4.
- 5.

DRAWING TITLE  
**SAPI5N/P POWER AMP**

SHEET TITLE  
**LEFT CHANNEL**

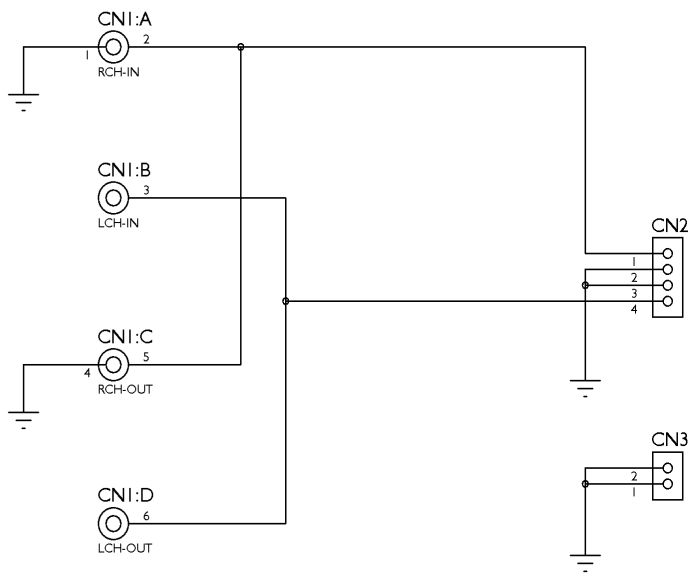
DRAWING No. **AP10687/2**

DRAWN BY  
**NF**

DATE  
**29/12/98**

CHECKED BY

PAGE  
**3/3**



© COPYRIGHT  
**The Audio Partnership**  
 Gallery Court  
 Hankey Place  
 LONDON SE1 4BB  
 Tel : +44 (0)171 940 2200  
 Fax : +44 (0)171 940 2233

GENERAL NOTES

- 1.
- 2.
- 3.
- 4.
- 5.

DRAWING TITLE  
**Power Amplifier input PCB**

SHEET TITLE

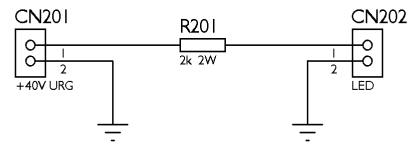
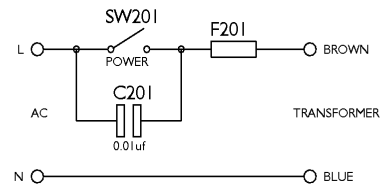
DRAWING No. 10360/1

PAGE 1/1

DRAWN BY SC

DATE 11/29/99

CHECKED BY



© COPYRIGHT

The Audio Partnership  
 Gallery Court  
 Hankey Place  
 LONDON SE1 4BB  
 Tel : +44 (0)171 940 2200  
 Fax : +44 (0)171 940 2233

GENERAL NOTES

- 1.
- 2.
- 3.
- 4.
- 5.

DRAWING TITLE  
 POWER SWITCH PCB SCHEMATIC

DRAWN BY  
 SC

SHEET TITLE  
 COMPLETE PCB

DATE  
 30/06/98

DRAWING No.  
 AP10394/1

PAGE  
 1/1

CHECKED BY