

1

2

3

4

D

D

C

C

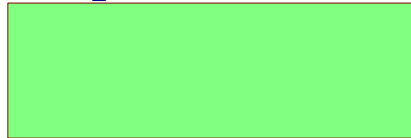
B

B

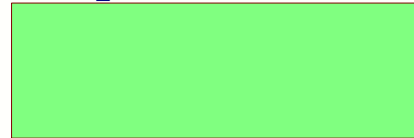
A

A

Main signal path  
L937C2\_1.2.SCH



Power supply  
L937C3\_1.2.SCH



ITEM1  
15mm x 6mm x 3mm  
DAMPING PAD  
E802AP  
15X6X3\_DAMPING\_PAD

PCB1  
PCB  
L937PB\_1

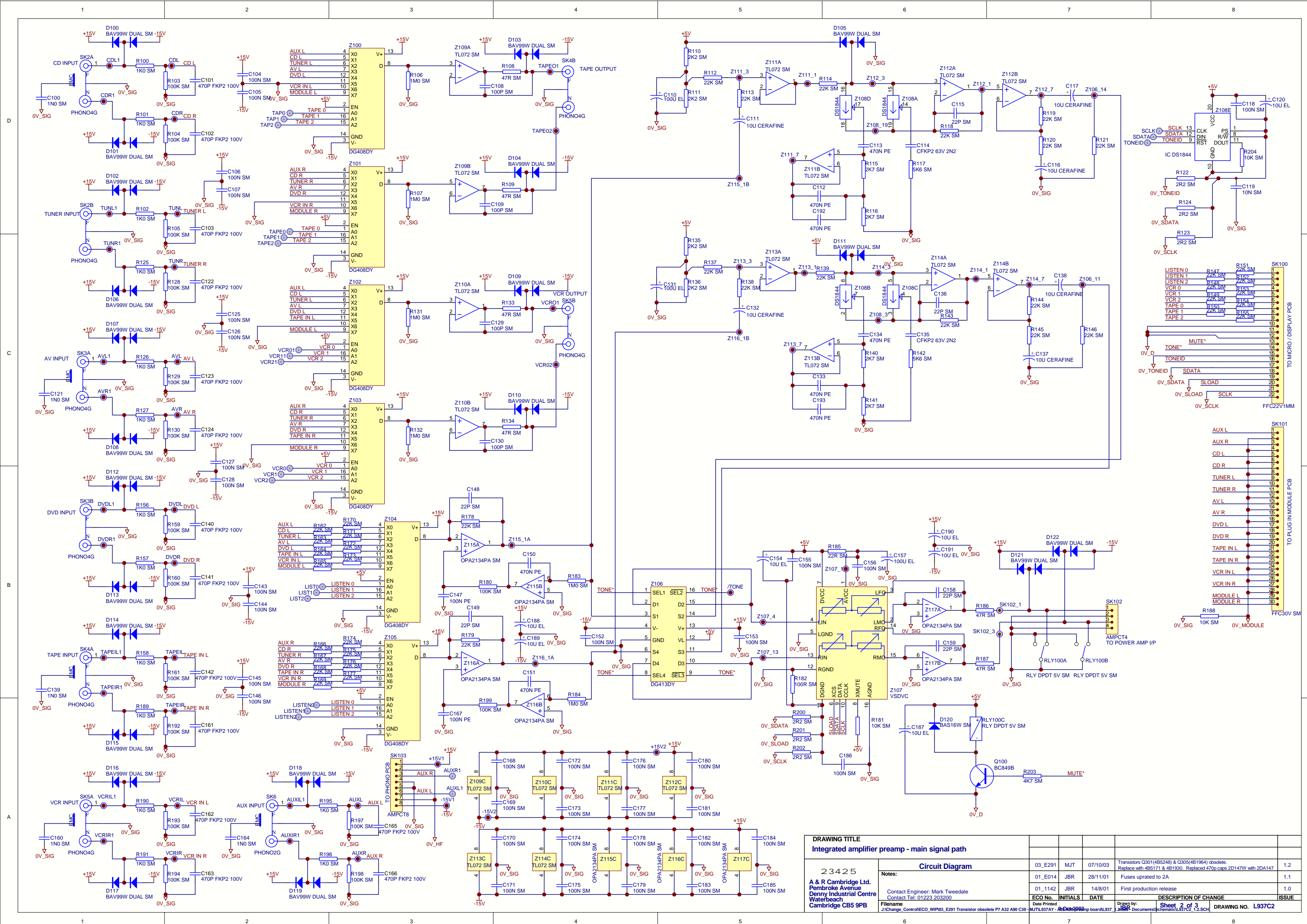
<b>DRAWING TITLE</b> Integrated amplifier preamp						
<b>2 3 4 2 5</b> <b>A &amp; R Cambridge Ltd.</b> <b>Pembroke Avenue</b> <b>Denny Industrial Centre</b> <b>Waterbeach</b> <b>Cambridge CB5 9PB</b>	<b>Circuit Diagram</b>  <b>Notes:</b>  Contact Engineer: Mark Tweedale Contact Tel: 01223 203200	03_E291	MJT	07/10/03	None to this sheet. Transistors Q301(4B5248) & Q305(4B1964) obsolete. Replace with 4B5171 & 4B1930. Replaced 470p caps 2D147W with 2DA147	1.2
		01_E014	JBR	28/11/01	Fuses uprated to 2A	1.1
		01_1142	JBR	14/8/01	First production release	1.0
		<b>ECO No.</b>	<b>INITIALS</b>	<b>DATE</b>	<b>DESCRIPTION OF CHANGE</b>	<b>ISSUE</b>
<b>Filename</b> J:\Change_Control\ECO_WIP\03_E291 Transistor obsolete P7 A32 A90 C30 - MJTL937AY - A32 PCB board\L937_1.2.dwg		<b>Date Printed</b> 9 Oct 2003		<b>Drawn by:</b> JBR	<b>Sheet 1 of 3</b>	<b>DRAWING NO. L937C1</b>

1

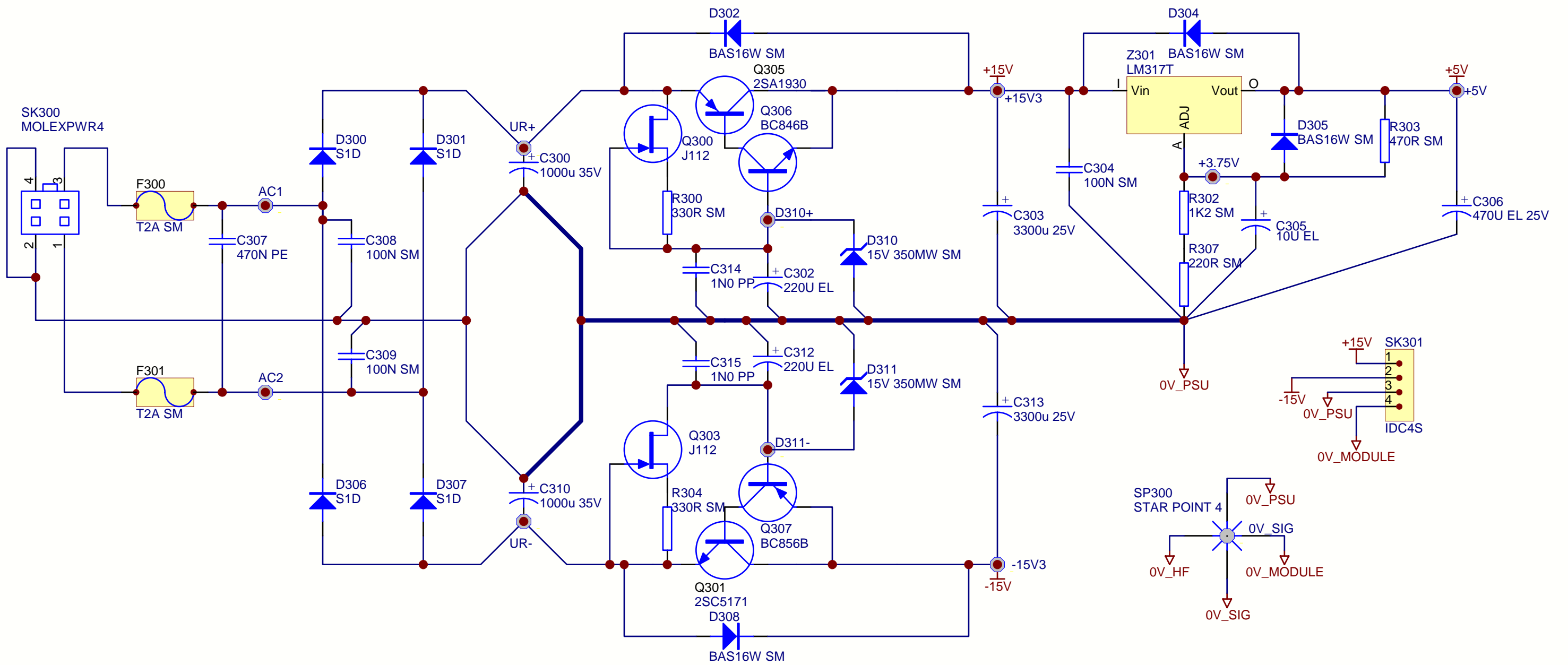
2

3

4



DRAWING TITLE					
Integrated amplifier preamp - main signal path		Circuit Diagram			
23425		A & R Cambridge Ltd. Pembroke Avenue Denny Industrial Centre Waterbeach Cambridge CB5 9PB		03_E291 MJT 07/10/03 Transistors Q301(4B5248) & Q305(4B1964) obsolete. Replace with 4B5171 & 4B1930. Replaced 470p caps 2D147W with 2DA147 01_E014 JBR 28/11/01 Fuses updated to 2A 01_1142 JBR 14/8/01 First production release ECO No. INITIALS DATE DESCRIPTION OF CHANGE ISSUE J-Change_Control/ECO_WIP/03_E291 Transistor obsolete P7 A32 A90 C30 - MUTL937AY-2 - 03/09/03 Date Printed: 03/09/03 Drawn by: JBR Documents/chemmatic/L937C2_12.SCH DRAWING NO. L937C2	



DRAWING TITLE								
Integrated amplifier preamp - power supply								
23425 <b>A &amp; R Cambridge Ltd.</b> Pembroke Avenue Denny Industrial Centre Waterbeach Cambridge CB5 9PB	<b>Circuit Diagram</b>		03_E291	MJT	07/10/03	Transistors Q301(4B5248) & Q305(4B1964) obsolete. Replace with 4B5171 & 4B1930. Replaced 470p caps 2D147W with 2DA147	1.2	
	<b>Notes:</b>		01_E014	JBR	28/11/01	Fuses uprated to 2A	1.1	
	Contact Engineer: Mark Tweedale Contact Tel: 01223 203200		01_1142	JBR	14/8/01	First production release	1.0	
	<b>Filename</b>		<b>ECO No.</b>		<b>INITIALS</b>		<b>DATE</b>	
	J:\Change_Control\ECO_WIP\03_E291 Transistor obsolete P7 A32 A90 C30 - MJTL937AY - A32 Oct 2003 preamp board\L937_1		03_E291		MJT		07/10/03	
<b>Date Printed</b>		<b>Drawn by:</b>		<b>Sheet 3 of 3</b>		<b>DRAWING NO. L937C3</b>		
9 Oct 2003		JBR		2.000 Documents\Schematic\L937C3_1.2.SCH				