

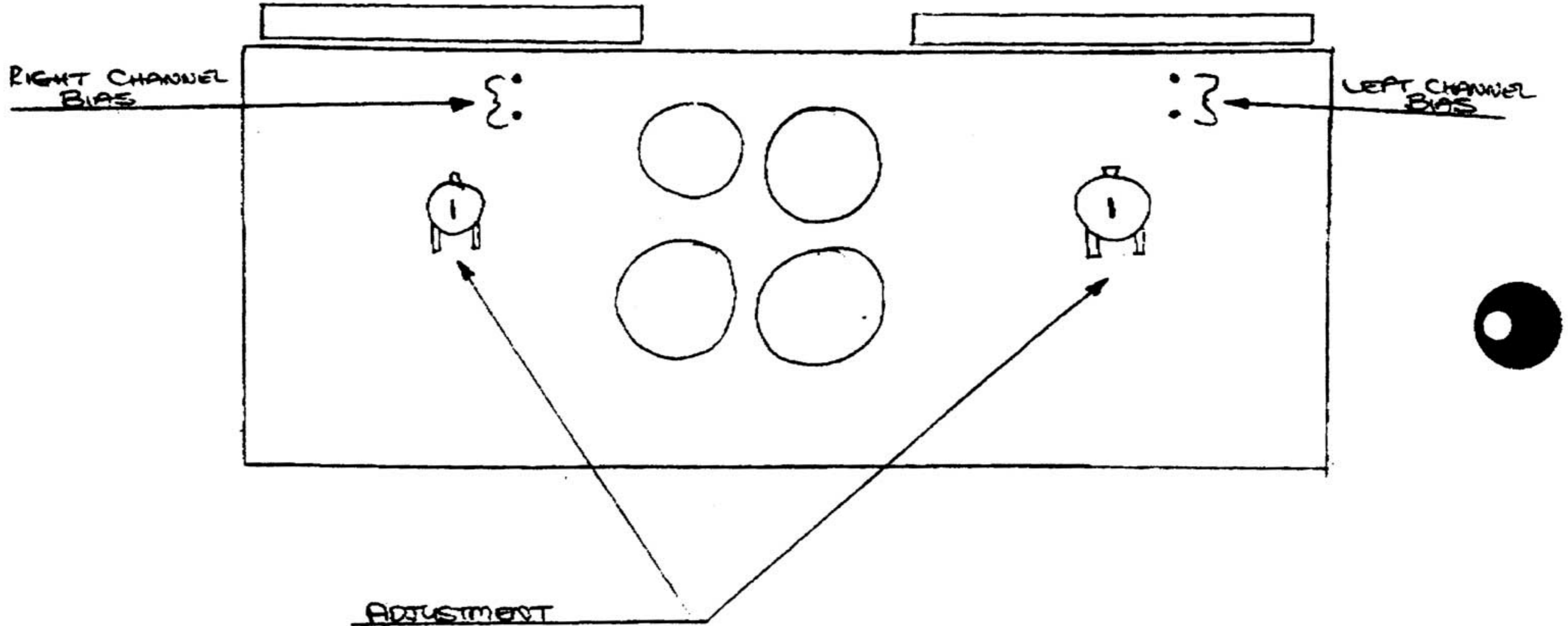
ISSUE	DESCRIPTION	APPD	DATE	TITLE	DRAWN	TRACED	CHECKED	APPROVED	DATE
				A75 MODULE	SS				26/10/89
					DRAWING No.				

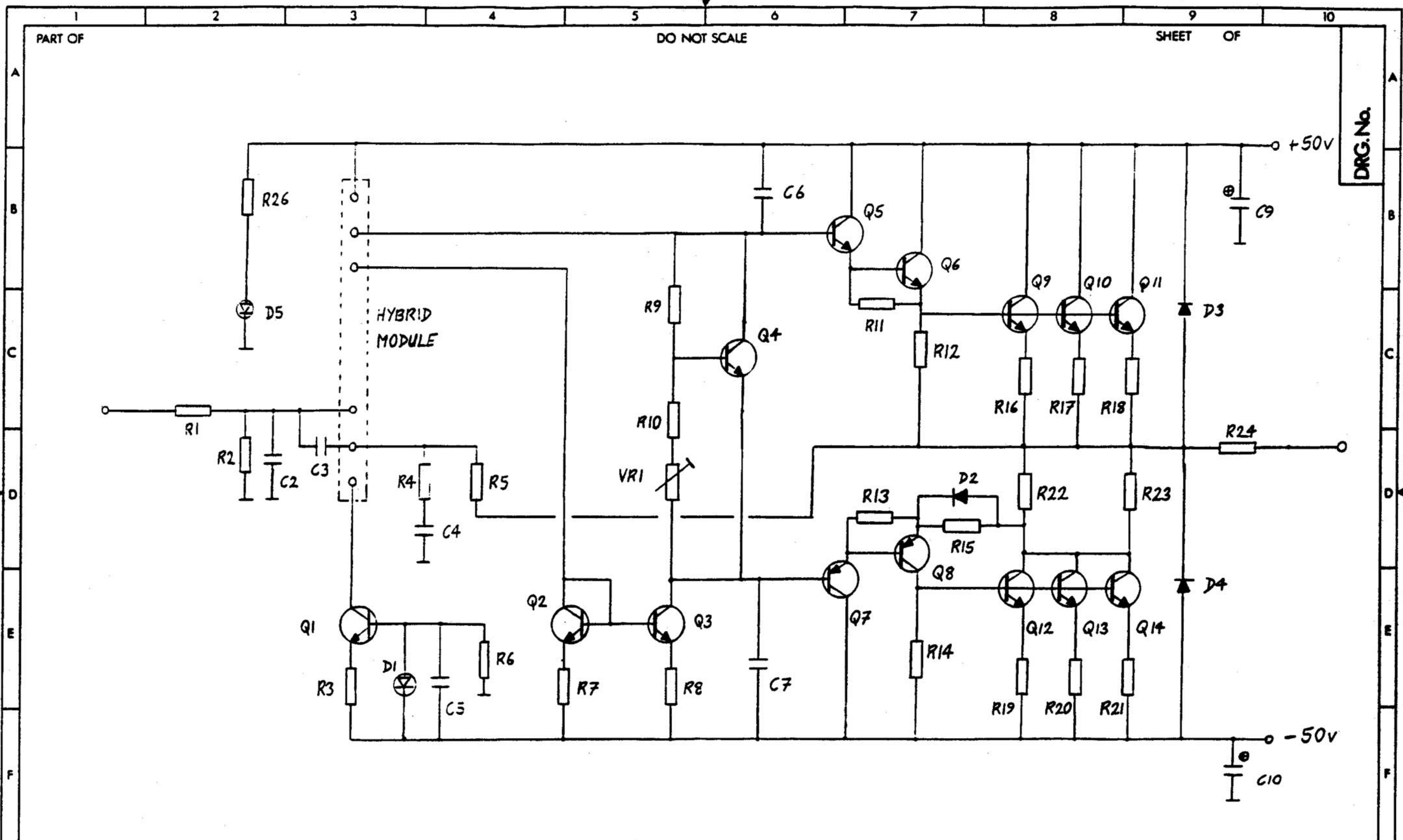
REF A75 BIASING

BIASING IS DONE ON BOTH CHANNELS USING TWO VERTOPINS CLOSE TO THE OUTPUT TRANSISTORS AS PER DIAGRAM. SET.

BOTH PRESET POTENTIOMETERS TO MID RANGE THEN SWITCH ON AMPLIFIER AND ALLOW TO GET WARM. THE VOLTAGE DIFFERENTIAL BETWEEN THESE PINS SHOULD BE ADJUSTED TO 17mV OR AS NEAR AS POSSIBLE BUT NOT LOWER THAN 10mV . TRY TO MATCH BOTH CHANNELS

A75 BIAS DETAILS





DRG. No.

ISSUE	DESCRIPTION	APPD.	DATE	TITLE	DRAWN	TRACED	CHECKED	APPROVED	DATE
2	remove C8, R25, C11, C1			Circuit Schematic Cambridge A75 Amplifier	//	© 1983			12/5/83
					DRAWING No. A75 SERIES 1				