

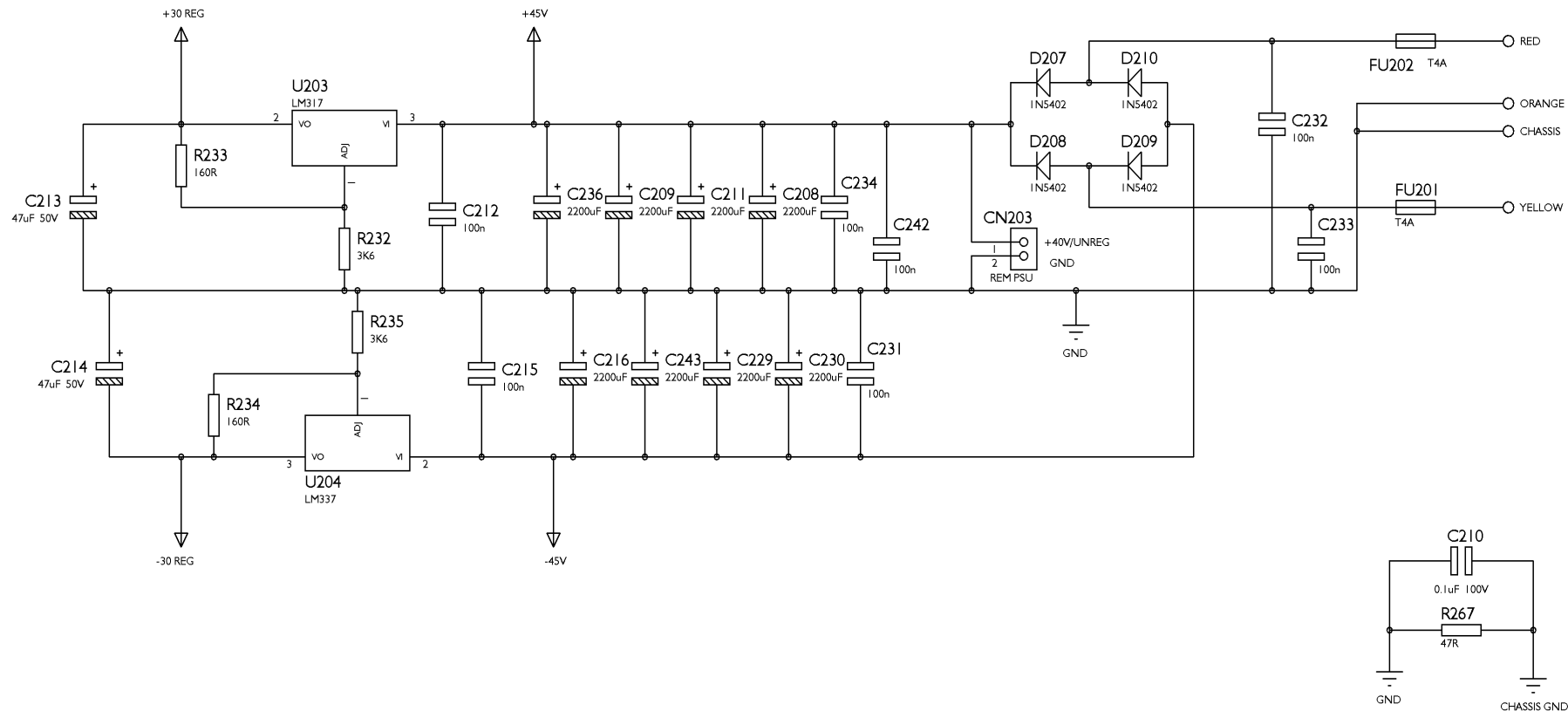
**A500**

**Integrated  
Amplifier**

**Schematics & Bill of  
Materials**

**ADDITIONS**

FACTORY PART NO	DRAWING NO	DESCRIPTION	QTY	COMMENTS
	API1727/1	A500/s OWNERS' CERTIFICATE	1	
	API1655/2	A500/s CARTON LABEL (MODEL NO.)	1	FOR BOX
	API0209/1	CAMBRIDGE SELECTOR KNOB MK3	4	TO BE SPRAYED SILVER (PAINT SPEC AS APPROVED BY STEPHEN YEUNG)
	API0208/1	CAMBRIDGE VOLUME KNOB MK2	1	TO BE SPRAYED SILVER (PAINT SPEC AS APPROVED BY STEPHEN YEUNG)
6040-010103-000	API0028/1	CAMBRIDGE POWER KNOB	3	TO BE SPRAYED SILVER (PAINT SPEC AS APPROVED BY STEPHEN YEUNG)
6510-150241-000		A1 TOP COVER (MODIFIED)	1	MODIFIED TO DRAWING API0019/3, COLOUR SPEC AS PER ESRI349
		A500/s FRONT PANEL (PUNCHED AND PRINTED)	1	PRINTED WITH ARTWORK API1626/2 AND API1647/2
	API0269/2	AMPLIFIER FRONT PANEL WITH RC & TD	1	FINISH AS PER ESRI363
		A500RC REAR PANEL (PRINTED)	1	PRINTED WITH ARTWORK NO. API0294/1
	API0276/1	AMPLIFIER REAR PANEL WITH IEC, 8RCA, 2 SPKR	1	FINISH AS PER ESRI349
	API0246/5	CAMBRIDGE CLEAR REMOTE EYE	1	
		INFRARED SENSOR SBX1910-52	1	NOT TO BE COLOURED BLACK
		BLUE POWER LED		APPROVED SAMPLE ESRI337
7003-006001-111		SCREW M3X6 S.T.P. B/H (SILVER)	9	TOP COVER TO REAR PANEL X2/REAR PANEL TO BASE X7/
7003-006001-131		SCREW M3X6 S.T.P. PW/H (SILVER)	4	TOP COVER TO BASE (L&R) X4, AS PER ESRI359
		BOLT M3x10 B/H	2	IEC TO REAR PANEL
7003-008002-111		SCREW M3X8 P.T.P. B/H (SILVER)	10	SPEAKER TERMINAL TO REAR PANEL X6/RCA TERMINAL TO REAR PANEL X4
<b>SUBTRACTION</b>				
	API0463/1	A500RC OWNERS' CERTIFICATE	1	
	API0281/1	A500RC CARTON LABEL (MODEL NO.)	1	FOR BOX
	API0209/1	CAMBRIDGE SELECTOR KNOB MK3	4	
	API0208/1	CAMBRIDGE VOLUME KNOB MK2	1	
6040-010103-000	API0028/1	CAMBRIDGE POWER KNOB	3	
6510-150241-000		A1 TOP COVER (MODIFIED)	1	MODIFIED TO DRAWING API0019/3
6510-150241-000-XXXX	CAMA107D	A1 TOP COVER	1	
	API0304/2	AMPLIFIER SUB-PANEL WITH TD & RC	1	
		A500RC FRONT PANEL (PUNCHED AND PRINTED)	1	PRINTED WITH ARTWORK API0286/1, API0287/1
	API0269/2	AMPLIFIER FRONT PANEL WITH RC & TD	1	
		A500RC REAR PANEL (PRINTED)	1	PRINTED WITH ARTWORK NO. API0294/1
	API0276/1	AMPLIFIER REAR PANEL WITH IEC, 8RCA, 2 SPKR	1	
	API0246/4	CAMBRIDGE REMOTE EYE	1	
		INFRARED SENSOR SBX1910-52	1	
		LED TRI-COLOUR (ORANGE/RED/GREEN) 3mm	1	PIN-OUT AS PER API0451/1
7003-006001-111		SCREW M3X6 S.T.P. B/H (SILVER)	9	TOP COVER TO REAR PANEL X2/REAR PANEL TO BASE X7/
7003-006001-131		SCREW M3X6 S.T.P. PW/H (BLK)	4	TOP COVER TO BASE (L&R) X4
		BOLT M3x10 B/H	2	IEC TO REAR PANEL
7003-008002-111		SCREW M3X8 P.T.P. B/H (SILVER)	10	SPEAKER TERMINAL TO REAR PANEL X6/RCA TERMINAL TO REAR PANEL X4



© COPYRIGHT

The Audio Partnership  
 Gallery Court  
 Hankney Place  
 LONDON SE1 4BB  
 Tel: +44 (0)171 940 2200  
 Fax: +44 (0)171 940 2233

GENERAL NOTES

- 1.
- 2.
- 3.
- 4.
- 5.

DRAWING TITLE  
 SAPI 5N/P POWER AMP

DRAWN BY  
 NF

SHEET TITLE  
 POWER SUPPLY

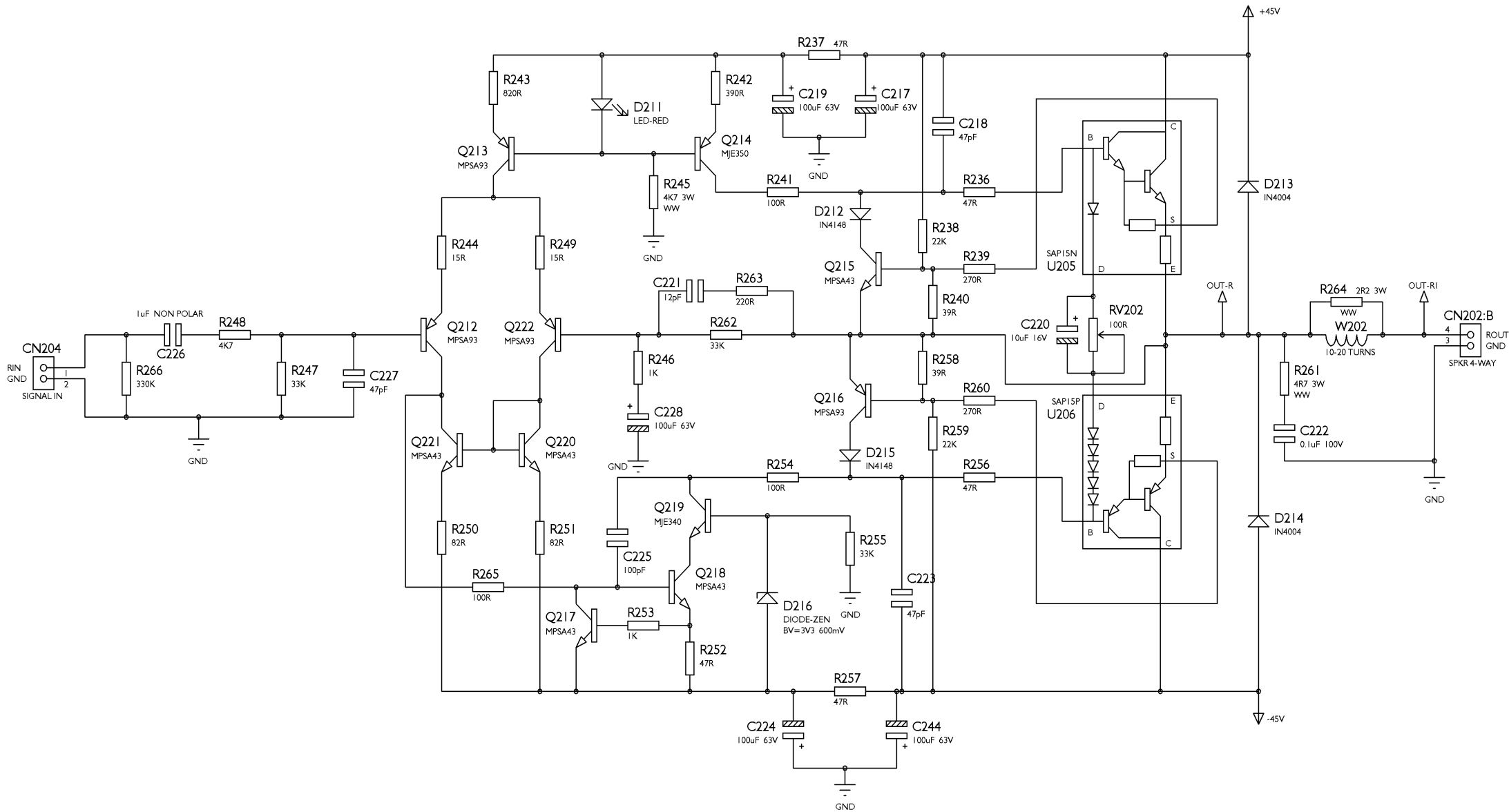
DATE  
 29/12/98

DRAWING No.  
 AP10687/2

PAGE  
 1/3

CHECKED BY

3

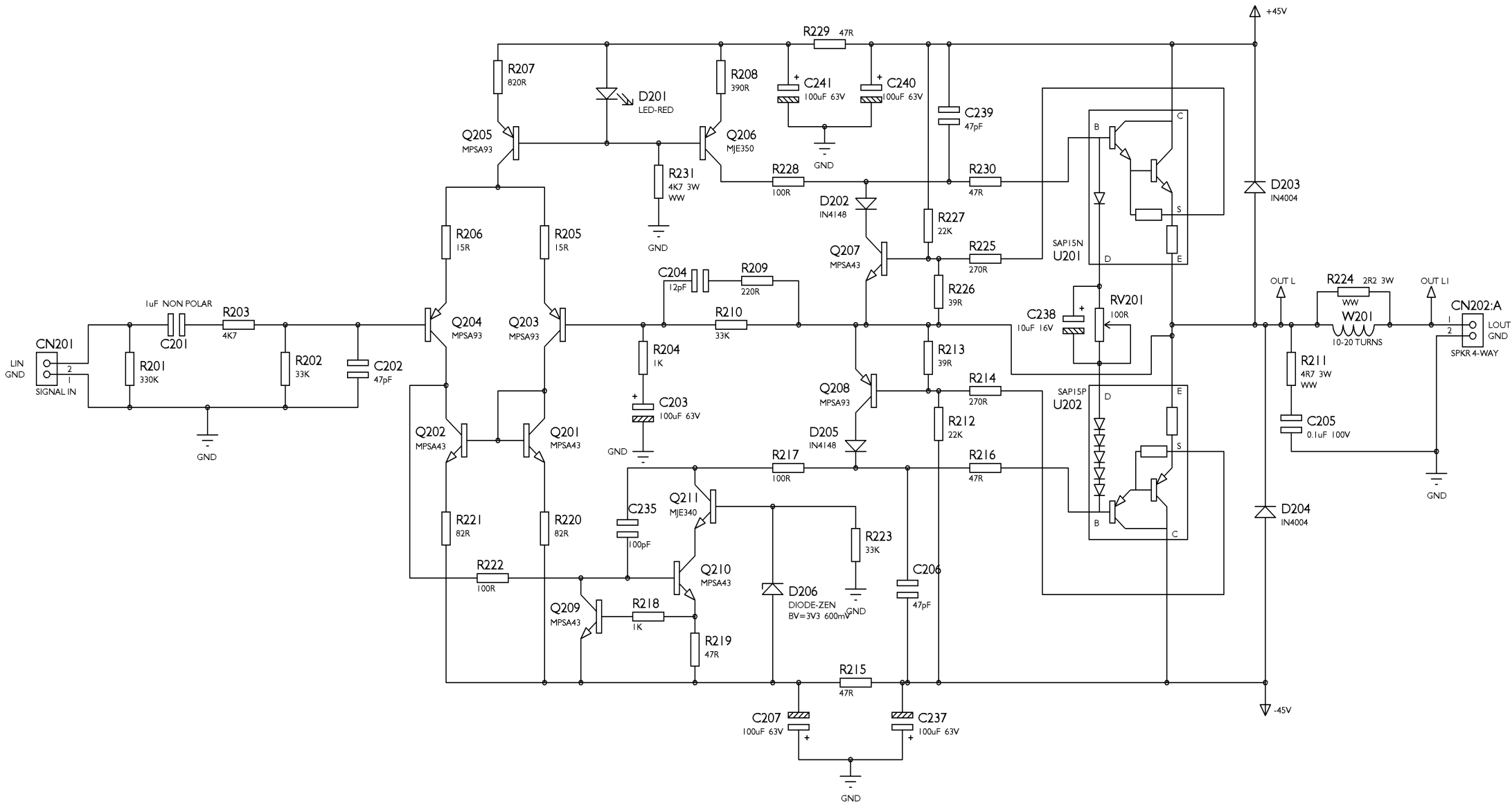


© COPYRIGHT  
**The Audio Partnership**  
 Gallery Court  
 Hankey Place  
 LONDON SE1 4BB  
 Tel: +44 (0)171 940 2200  
 Fax: +44 (0)171 940 2233

- GENERAL NOTES
1. WW - WIREWOUND
  2. 22 SWG TINNED COPPER WIRE FOR W101
  - 3.
  - 4.
  - 5.

DRAWING TITLE <b>SAPI5N/P POWER AMP</b>	
SHEET TITLE <b>RIGHT CHANNEL</b>	
DRAWING No. <b>API0687/2</b>	PAGE <b>2/3</b>

DRAWN BY <b>NF</b>
DATE <b>29/12/98</b>
CHECKED BY



© COPYRIGHT

The Audio Partnership  
 Gallery Court  
 Hankey Place  
 LONDON SE1 4BB  
 Tel : +44 (0)171 940 2200  
 Fax : +44 (0)171 940 2233

GENERAL NOTES

1. ww - WIREWOUND
2. 22 SWG TINNED COPPER WIRE FOR W301
- 3.
- 4.
- 5.

DRAWING TITLE  
**SAPI5N/P POWER AMP**

DRAWN BY  
**NF**

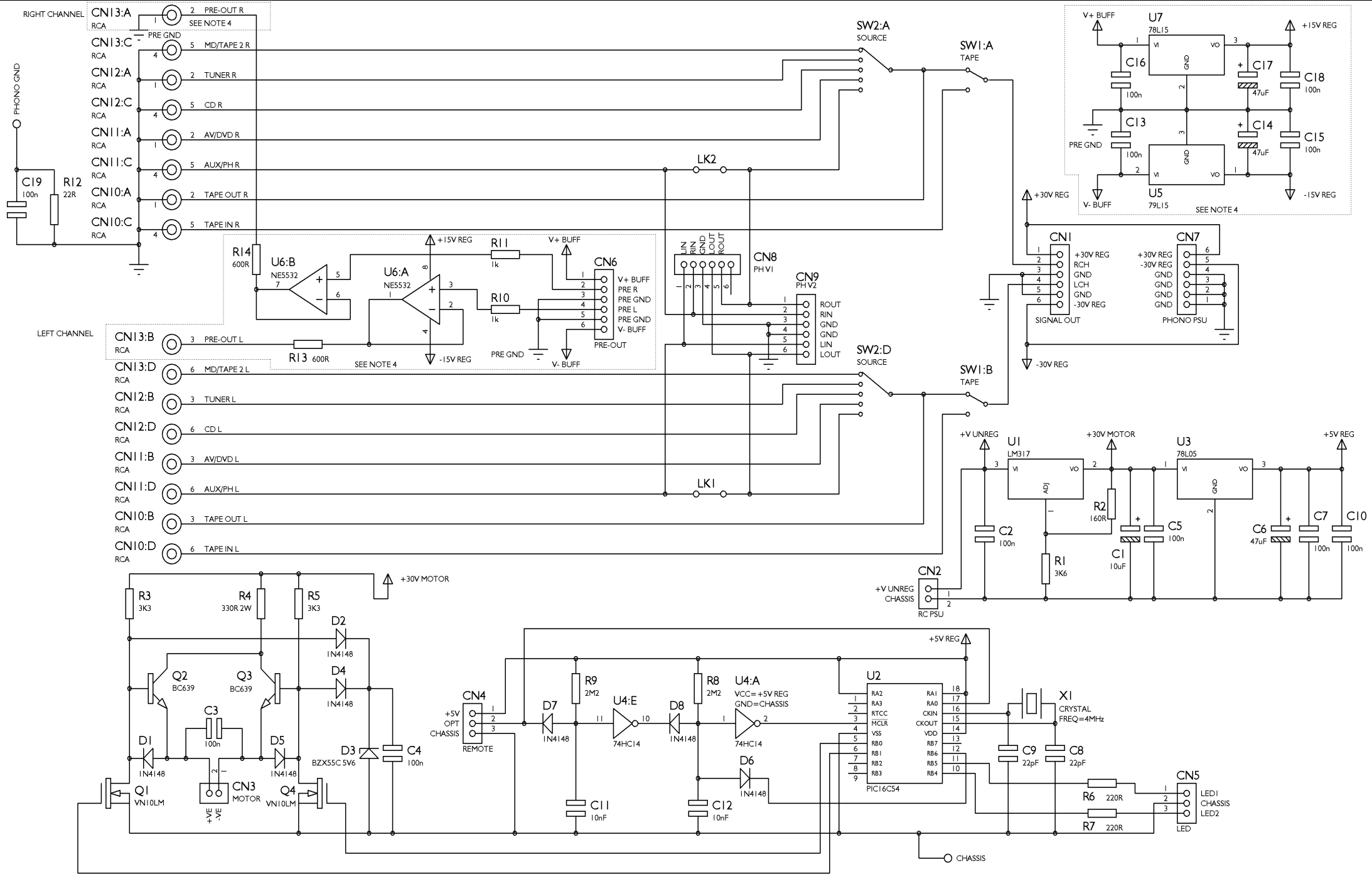
SHEET TITLE  
**LEFT CHANNEL**

DATE  
**29/12/98**

DRAWING No. **AP10687/2**

PAGE  
**3/3**

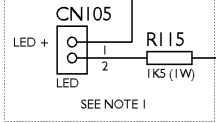
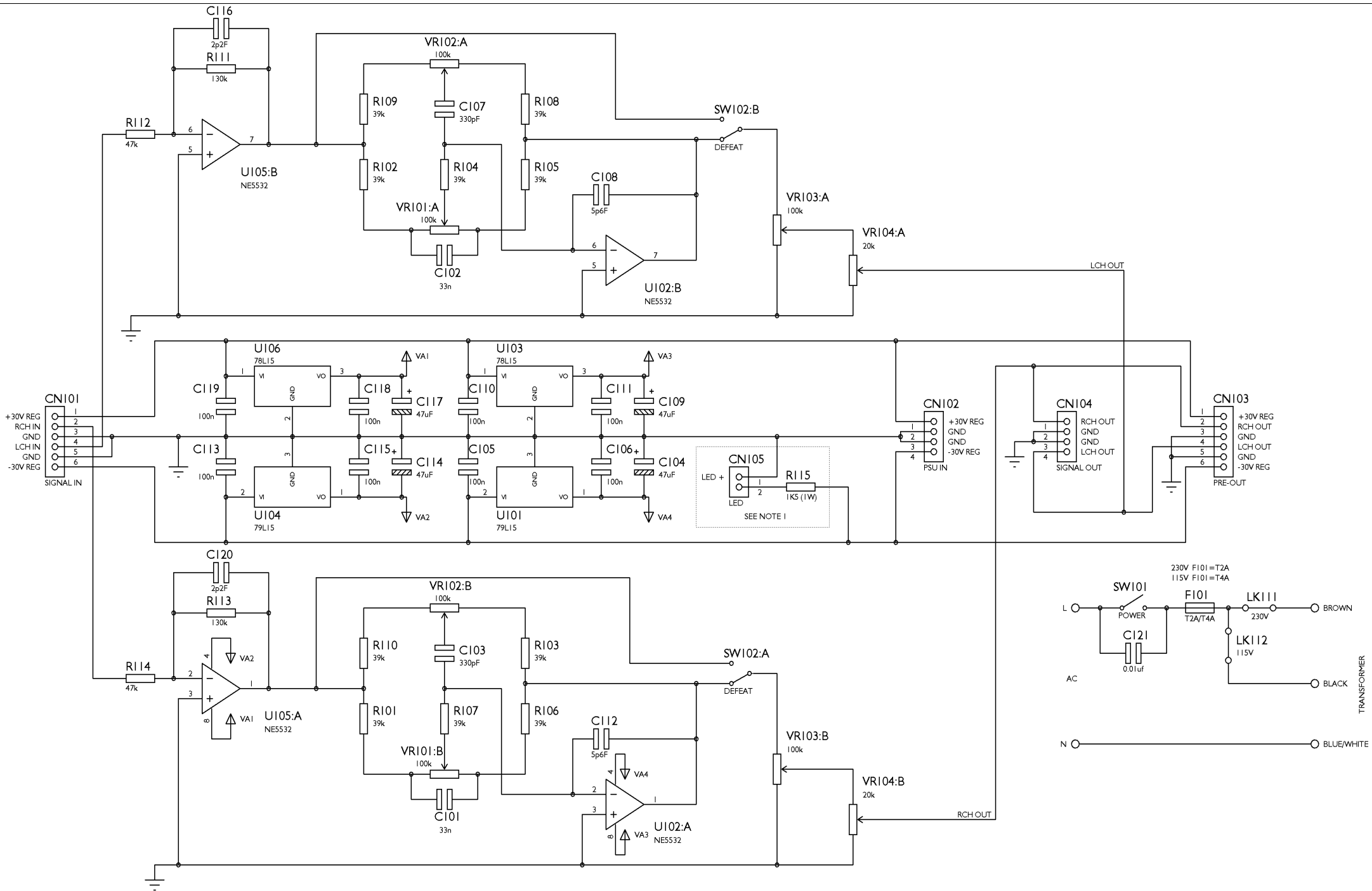
CHECKED BY



© COPYRIGHT  
**The Audio Partnership**  
 Gallery Court  
 Hankey Place  
 LONDON SE1 4BB  
 Tel: +44 (0)171 940 2200  
 Fax: +44 (0)171 940 2233

- GENERAL NOTES**
1. CN6 FOR V1 OPTIONAL PHONO STAGE
  2. CN5 FOR V2 OPTIONAL PHONO STAGE
  3. CUT LINKS 1 & 2 WHEN FITTING PHONO STAGE
  4. COMPONENTS NOT FITTED IN POP REV B
  - 5.

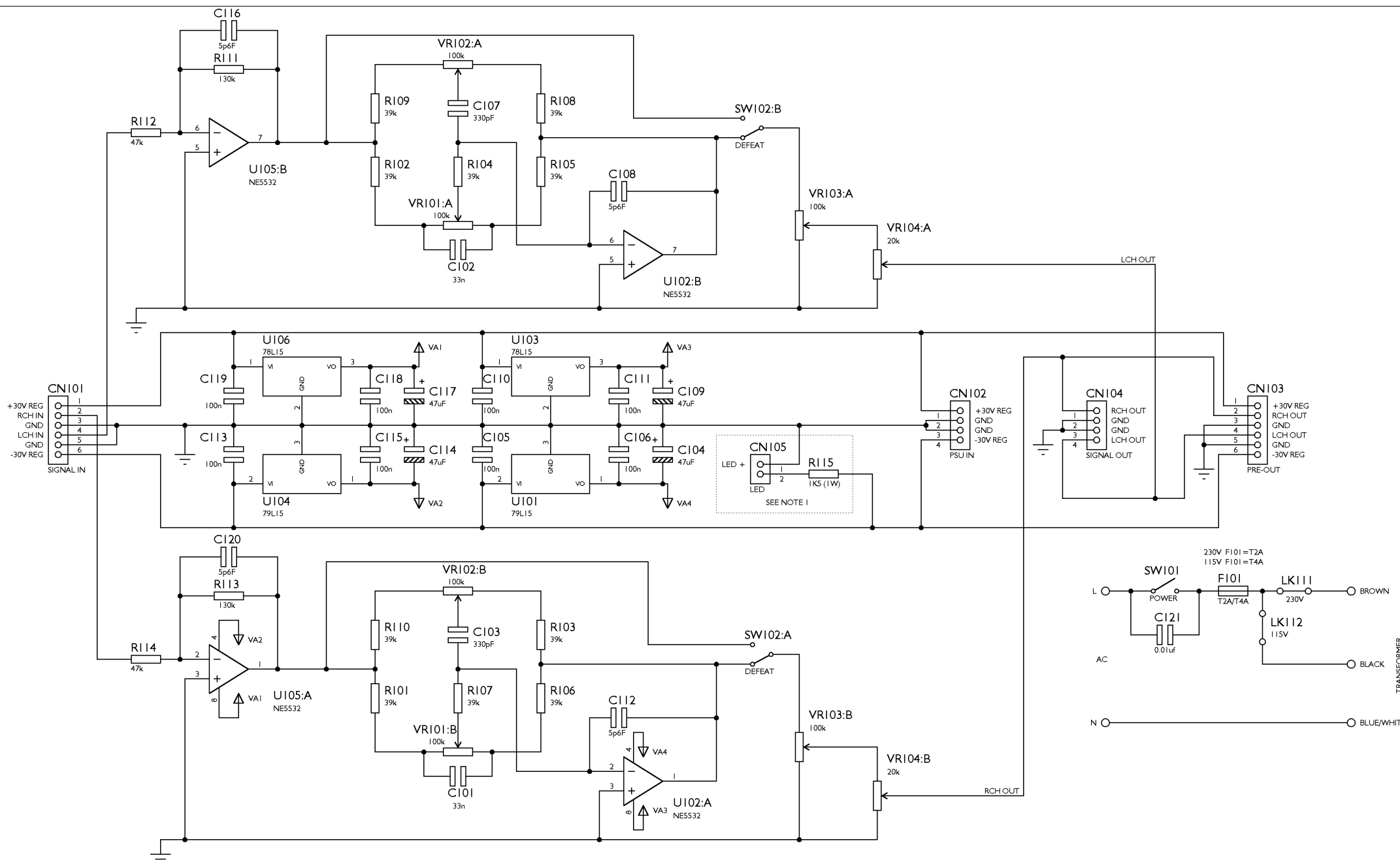
DRAWING TITLE <b>INPUT PCB WITH PRE-OUT AND R/C</b>		DRAWN BY <b>NF</b>	
SHEET TITLE <b>COMPLETE PCB</b>		DATE <b>31/07/98</b>	
DRAWING No. <b>API0261/2</b>	PAGE <b>1/1</b>	CHECKED BY	



© COPYRIGHT  
**The Audio Partnership**  
 Gallery Court  
 Hankney Place  
 LONDON SE1 4BB  
 Tel : +44 (0)171 940 2200  
 Fax : +44 (0)171 940 2233

- GENERAL NOTES
1. CN105/R115 NOT FITTED TO RC PRODUCTS
  - 2.
  - 3.
  - 4.
  - 5.

DRAWING TITLE <b>TONE PCB WITH TONE DEFEAT</b>		DRAWN BY <b>NF</b>	
SHEET TITLE <b>COMPLETE PCB</b>		DATE <b>08/09/98</b>	
DRAWING No. <b>API0230/3</b>	PAGE <b>1/1</b>	CHECKED BY	

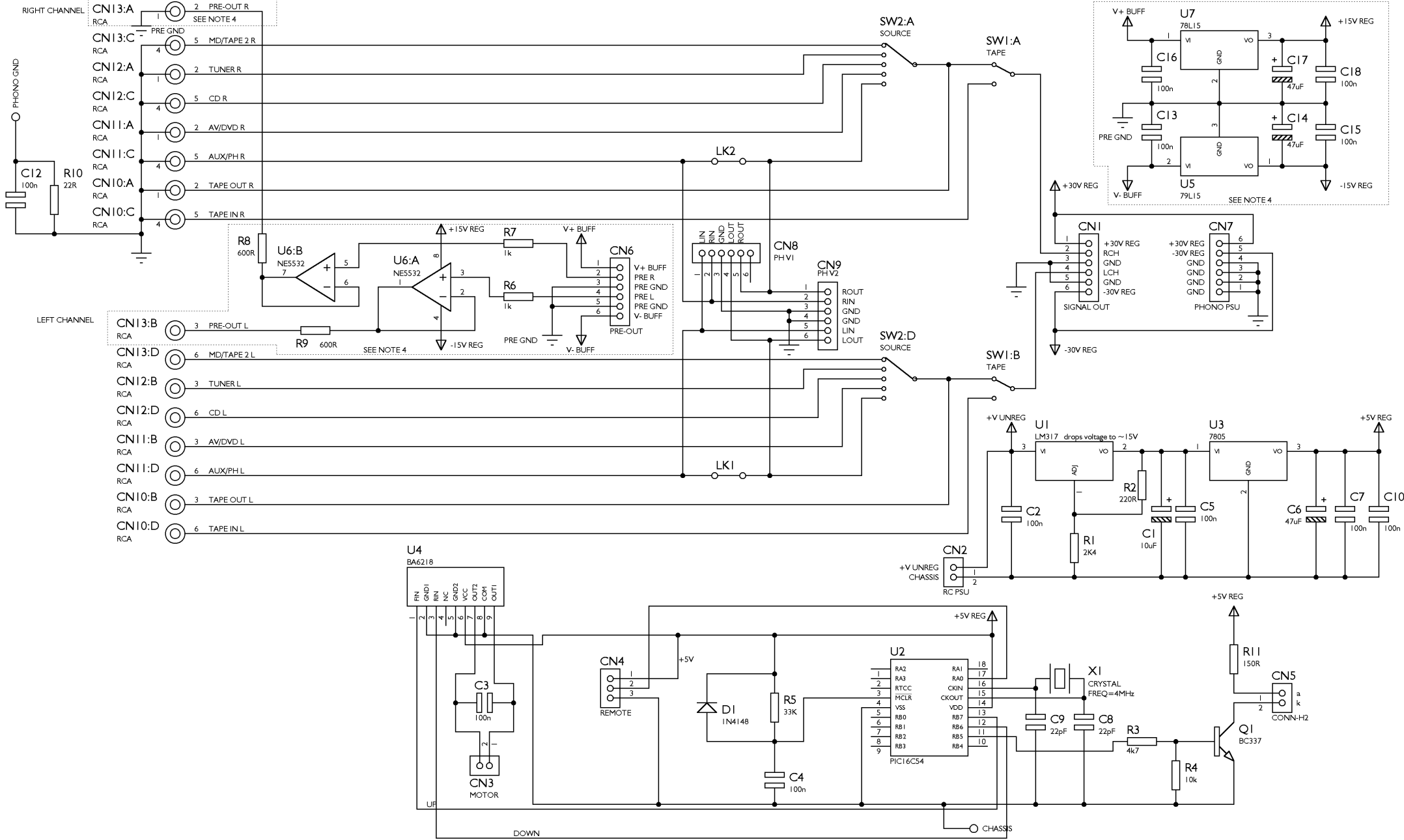


© COPYRIGHT  
**The Audio Partnership**  
 Gallery Court  
 Hankey Place  
 LONDON SE1 4BB  
 Tel : +44 (0)171 940 2200  
 Fax : +44 (0)171 940 2233

- GENERAL NOTES
1. CN105/R115 NOT FITTED TO RC PRODUCTS
  - 2.
  - 3.
  - 4.
  - 5.

DRAWING TITLE <b>TONE PCB WITH TONE DEFEAT</b>		DRAWN BY <b>NF</b>	
SHEET TITLE <b>COMPLETE PCB</b>		DATE <b>11/06/98</b>	
DRAWING No. <b>AP10230/1</b>	PAGE <b>1/1</b>	CHECKED BY	

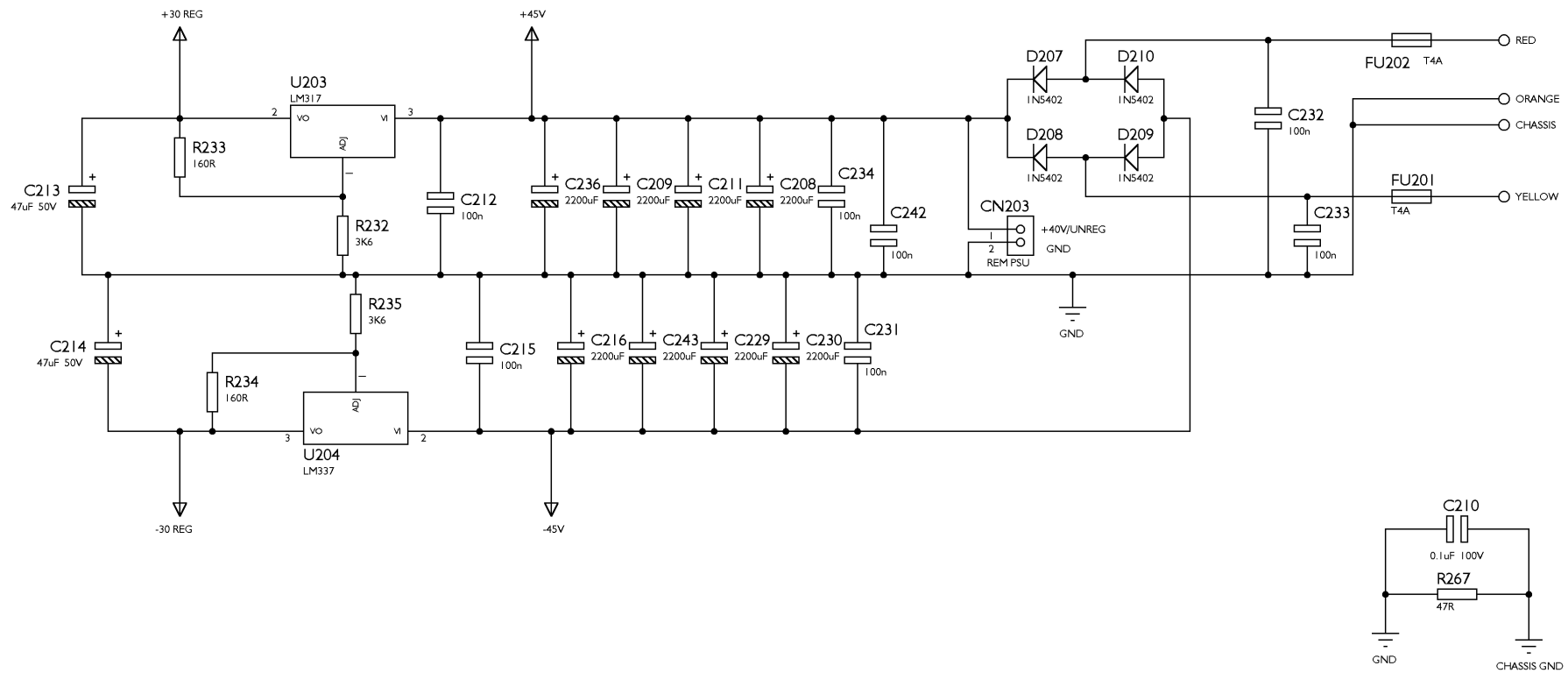




© COPYRIGHT  
**The Audio Partnership**  
 Gallery Court  
 Hankey Place  
 LONDON SE1 4BB  
 Tel : +44 (0)171 940 2200  
 Fax : +44 (0)171 940 2233

- GENERAL NOTES
1. CN6 FOR V1 OPTIONAL PHONO STAGE
  2. CN5 FOR V2 OPTIONAL PHONO STAGE
  3. CUT LINKS 1 & 2 WHEN FITTING PHONO STAGE
  4. COMPONENTS NOT FITTED IN POP REV B
  - 5.

DRAWING TITLE INPUT PCB WITH PRE-OUT AND R/C		DRAWN BY LR	
SHEET TITLE COMPLETE PCB		DATE 03/08/00	
DRAWING No. AP10261/4	PAGE 1/1	CHECKED BY	



© COPYRIGHT  
**The Audio Partnership**  
 Gallery Court  
 Hankey Place  
 LONDON SE1 4BB  
 Tel : +44 (0)171 940 2200  
 Fax : +44 (0)171 940 2233

GENERAL NOTES

- 1.
- 2.
- 3.
- 4.
- 5.

DRAWING TITLE  
**SAPI 5N/P POWER AMP**

DRAWN BY  
**SC**

SHEET TITLE  
**POWER SUPPLY**

DATE  
**11/30/99**

DRAWING No.  
**API0687/3**

PAGE  
**1/3**

CHECKED BY

**A500 - A500/s BOM DIFFERENCES**

**API1759/1 - Additions**

27/11/0015:37

LEVEL	YANION PART NO	DRAWING NO	DESCRIPTION	QTY	DESIGNATOR	COMMENTS
.1		API1727/1	A500/s OWNERS' CERTIFICATE	1		
.1		API1655/2	A500/s CARTON LABEL (MODEL NO.)	1		FOR BOX
..2		API0209/1	CAMBRIDGE SELECTOR KNOB MK3	4		TO BE SPRAYED SILVER (PAINT SPEC AS APPROVED BY STEPHEN YEUNG)
..2		API0208/1	CAMBRIDGE VOLUME KNOB MK2	1		TO BE SPRAYED SILVER (PAINT SPEC AS APPROVED BY STEPHEN YEUNG)
..2	6040-010103-000	API0028/1	CAMBRIDGE POWER KNOB	3		TO BE SPRAYED SILVER (PAINT SPEC AS APPROVED BY STEPHEN YEUNG)
..2	6510-150241-000		AI TOP COVER (MODIFIED)	1		MODIFIED TO DRAWING API0019/3, COLOUR SPEC AS PER ESR1349
..2			A500/s FRONT PANEL (PUNCHED AND PRINTED)	1		PRINTED WITH ARTWORK API1626/2 AND API1647/2
...3		API0269/2	AMPLIFIER FRONT PANEL WITH RC & TD	1		FINISH AS PER ESR1363
..2			A500RC REAR PANEL (PRINTED)	1		PRINTED WITH ARTWORK NO. API0294/1
...3		API0276/1	AMPLIFIER REAR PANEL WITH IEC, 8RCA, 2 SPKR	1		FINISH AS PER ESR1349
...3		API0246/5	CAMBRIDGE CLEAR REMOTE EYE	1		
....4			INFRARED SENSOR SBX1910-52	1		NOT TO BE COLOURED BLACK
			BLUE POWER LED			APPROVED SAMPLE ESR1337
..2	7003-006001-111		SCREW M3X6 S.T.P. B/H (SILVER)	9		TOP COVER TO REAR PANEL X2/REAR PANEL TO BASE X7/
..2	7003-006001-131		SCREW M3X6 S.T.P. PW/H (SILVER)	4		TOP COVER TO BASE (L& R) X4, AS PER ESR1359
..2			BOLT M3x10 B/H	2		IEC TO REAR PANEL
..2	7003-008002-111		SCREW M3X8 P.T.P. B/H (SILVER)	10		SPEAKER TERMINAL TO REAR PANEL X6/RCA TERMINAL TO REAR PANEL X4

**A500 - A500/s BOM DIFFERENCES**

**API1759/1 - Subtractions**

27/11/00 16:31

LEVEL	YANION PART NO	DRAWING NO	DESCRIPTION	QTY	DESIGNATOR	COMMENTS
.1		API0463/1	A500RC OWNERS' CERTIFICATE	1		
.1		API0281/1	A500RC CARTON LABEL (MODEL NO.)	1		FOR BOX
..2		API0209/1	CAMBRIDGE SELECTOR KNOB MK3	4		
..2		API0208/1	CAMBRIDGE VOLUME KNOB MK2	1		
..2	6040-010103-000	API0028/1	CAMBRIDGE POWER KNOB	3		
..2	6510-150241-000		AI TOP COVER (MODIFIED)	1		MODIFIED TO DRAWING API0019/3
...3	6510-150241-000-XXXX	CAMA107D	AI TOP COVER	1		
..2		API0304/2	AMPLIFIER SUB-PANEL WITH TD & RC	1		
..2			A500RC FRONT PANEL (PUNCHED AND PRINTED)	1		PRINTED WITH ARTWORK API0286/1, API0287/1
...3		API0269/2	AMPLIFIER FRONT PANEL WITH RC & TD	1		
..2			A500RC REAR PANEL (PRINTED)	1		PRINTED WITH ARTWORK NO. API0294/1
...3		API0276/1	AMPLIFIER REAR PANEL WITH IEC, 8RCA, 2 SPKR	1		
...3		API0246/4	CAMBRIDGE REMOTE EYE	1		
....4			INFRARED SENSOR SBX1910-52	1		
...3			LED TRI-COLOUR (ORANGE/RED/GREEN) 3mm	1		PIN-OUT AS PER API0451/1
..2	7003-006001-111		SCREW M3X6 S.T.P. B/H (SILVER)	9		TOP COVER TO REAR PANEL X2/REAR PANEL TO BASE X7/
..2	7003-006001-131		SCREW M3X6 S.T.P. PW/H (BLK)	4		TOP COVER TO BASE (L&R) X4
..2			BOLT M3x10 B/H	2		IEC TO REAR PANEL
..2	7003-008002-111		SCREW M3X8 P.T.P. B/H (SILVER)	10		SPEAKER TERMINAL TO REAR PANEL X6/RCA TERMINAL TO REAR PANEL X4

## A 300 / A 500 Amplifier idle current adjustment procedure

When replacing the SAP15 output pair, reset the bias current by adjusting RV201 while monitoring the voltage between pins S and E of the transistor, to achieve a voltage of **13mV** (equivalent of approx 60mA).

