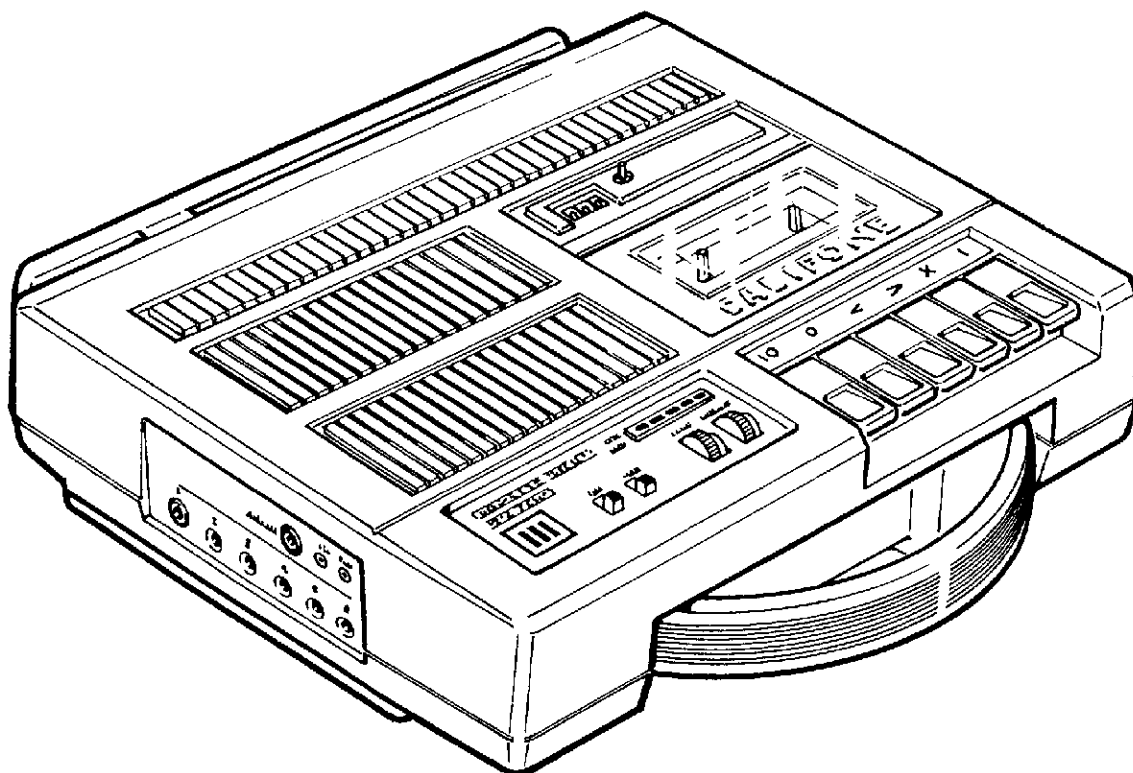


5270 AV

Service Manual

7 Watt Cassette Recorder

Magnétophone à Cassette, 7 Watt



Données Techniques

Modél	5270AV
Type	Magnétophone
Puissance de Sortie	7W sous 4 Ohms
Réponse en Fréquence	80 Hz à 8kHz
Pleurage/Scintillement	<0.30%
Rapport Signal Sur Bruit	45dB, Non Pondéré
Haut-Parleur	9 cm (5 po), Rond
Durée d'Avance Accélérée/Rebobinage	120 s (C-60)
Micro	Incorporé
Commande du Niveau d'Enregistrement	ALC
Mécanisme	Arrêt Entièrement Automatique de veau (dans tout les modes)
Commandes	Enregistrement, Lecture, Repérage, Révision, Rejet, Pause, Volume, Tonalité, Sonorisation
Compte-Tours	X2 à 3 Chiffres
Prises de Sortie	5 Casques d'Écoute, 1 Haut-Parleur/ Casques d'Écoute (Prise 6,3 mm)
Prises d'entrée	Auxiliaire(Prise 6,3 mm), micro 3,5mm, télécommande 2,5mm
Alimentation	120Vc.a.50-60Hz, 4 piles de grandeur D
Dimensions	28,6 cm x 30,5 cm x 8,3 cm
Poids	2,7 Kg sans Piles

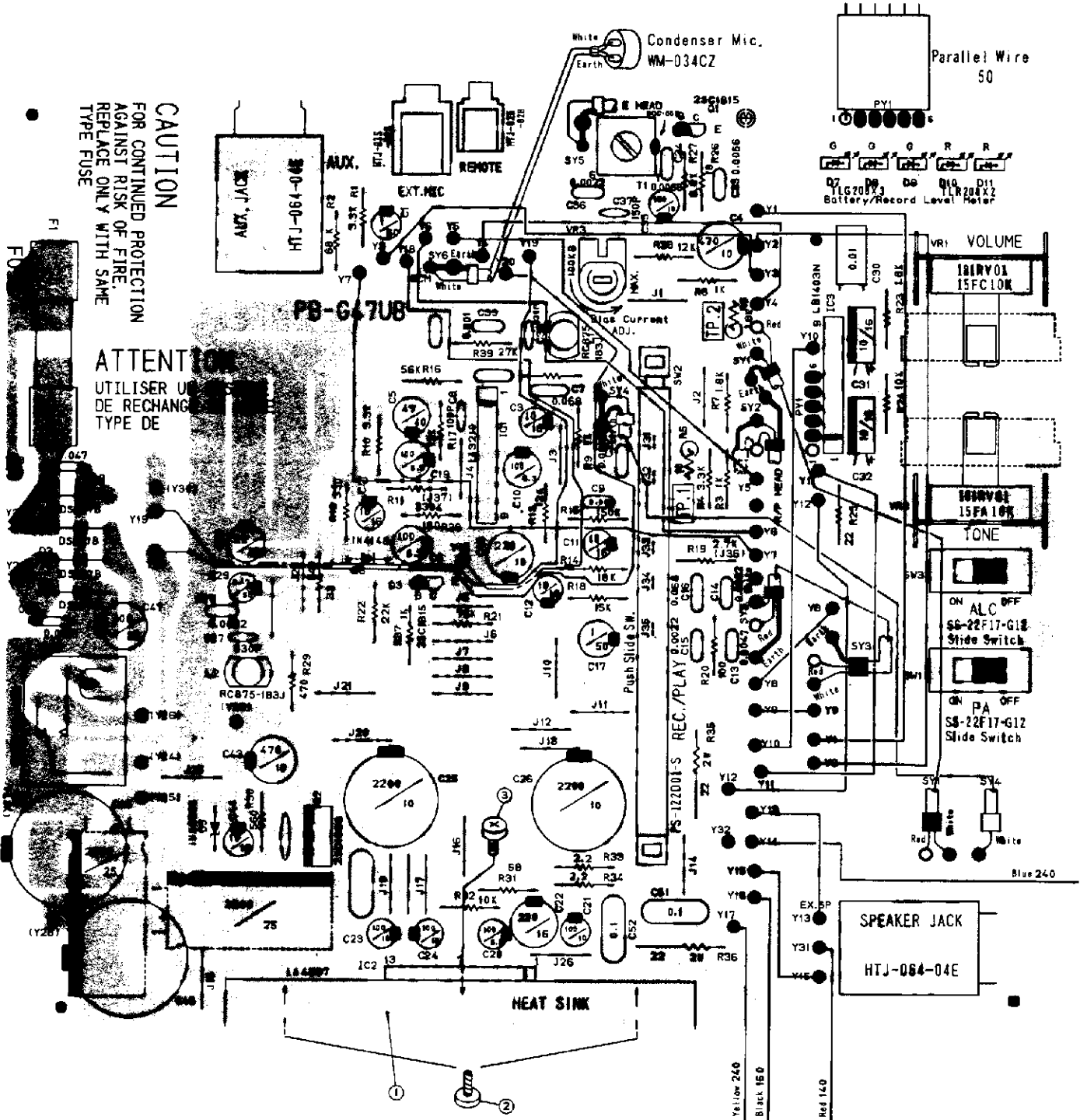
Specifications

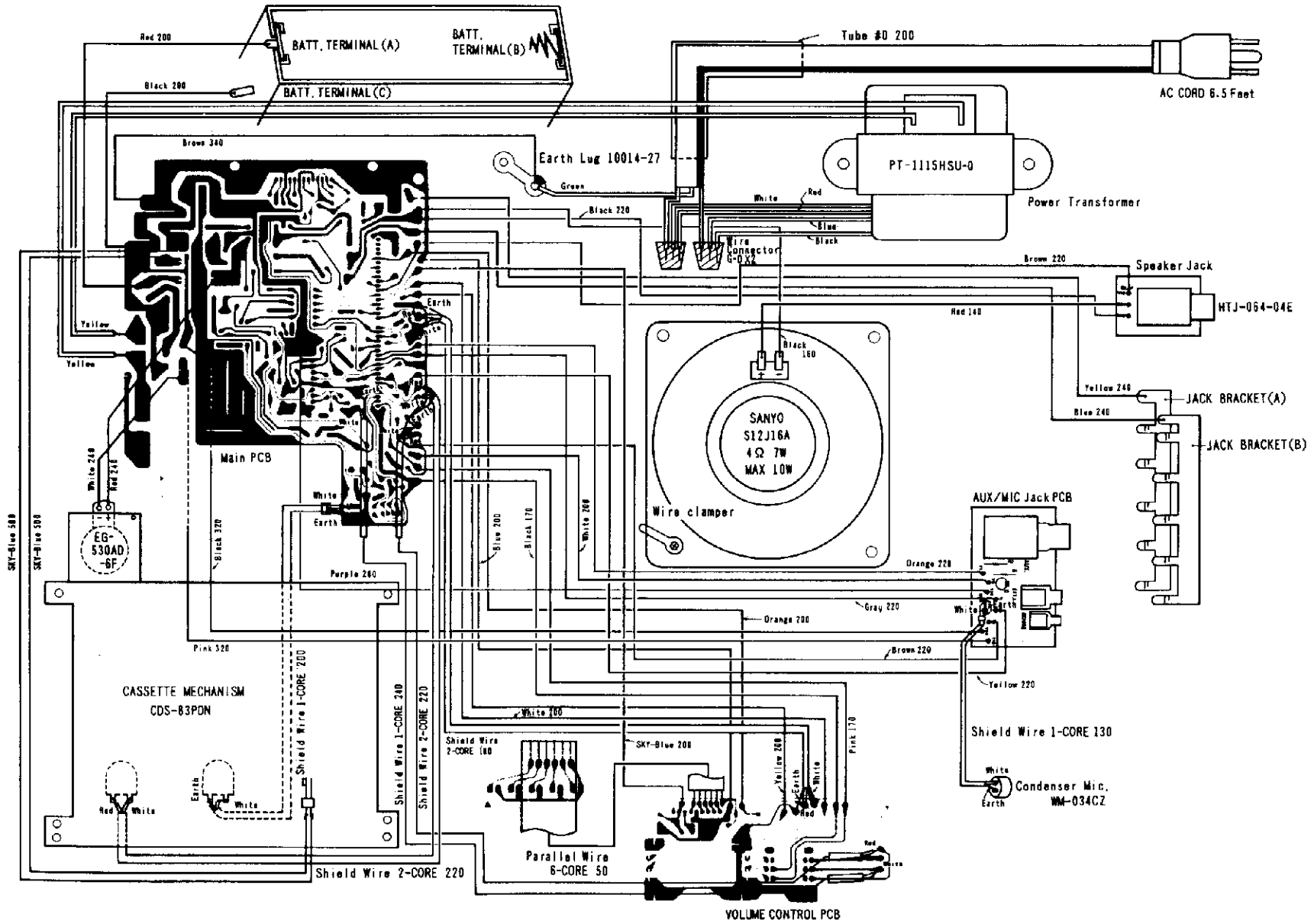
Model	5270AV
Type	Recorder
Amplifier Power Output	7 Watts RMS at 4 Ohms
Amplifier Frequency Response	80 - 8kHz
Wow and Flutter	<0.30%
S/N Ratio	45dB Unweighted
Speaker	5" Round, Dynamic
FF/Rew Time (C-60)	120 seconds
Microphone	Built-in Electret
Record Level Control	Switchable ALC
Mechanism	Full Auto Stop (all modes)
Controls	Record, Play, Cue, Review, Eject, Pause, Volume, Tone, P.A., ALC
Tape Counter	ICIA Standard 2X 3 Digit
Output Jacks	5 HP, 1 HP/Spkr.
Input Jacks	Auxiliary, 3.5mm mic, 2.5mm remote
Power Requirements	120VAC 50-60Hz or 4 "D" cells
Dimensions	11¼"L x 12"W x 3¼"H
Weight	6 Lbs. without batteries

Printed Circuit Board

CAUTION
FOR CONTINUED PROTECTION
AGAINST RISK OF FIRE,
REPLACE ONLY WITH SAME
TYPE FUSE

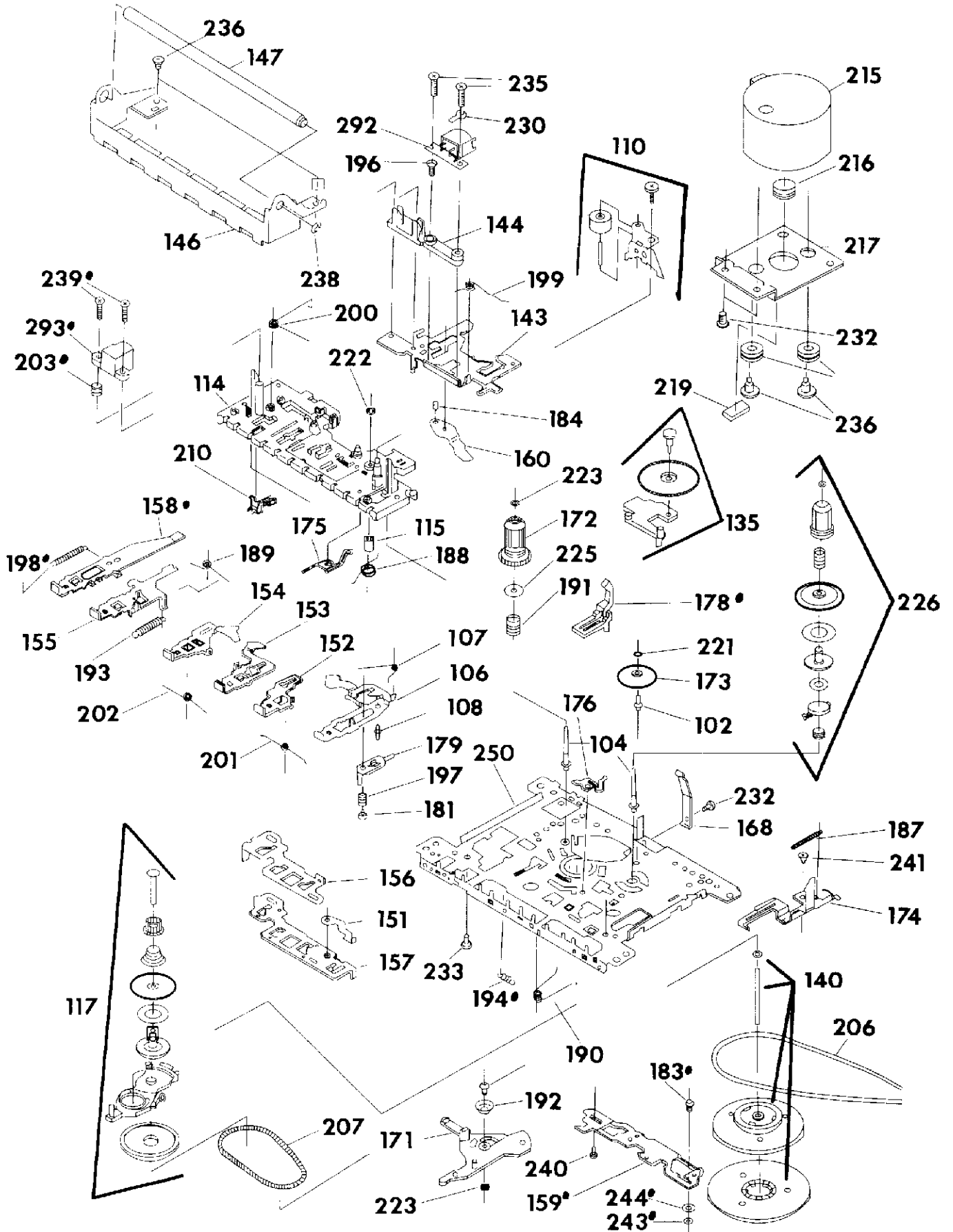
ATTENTION
UTILISER UN
DE RECHANG
TYPE DE



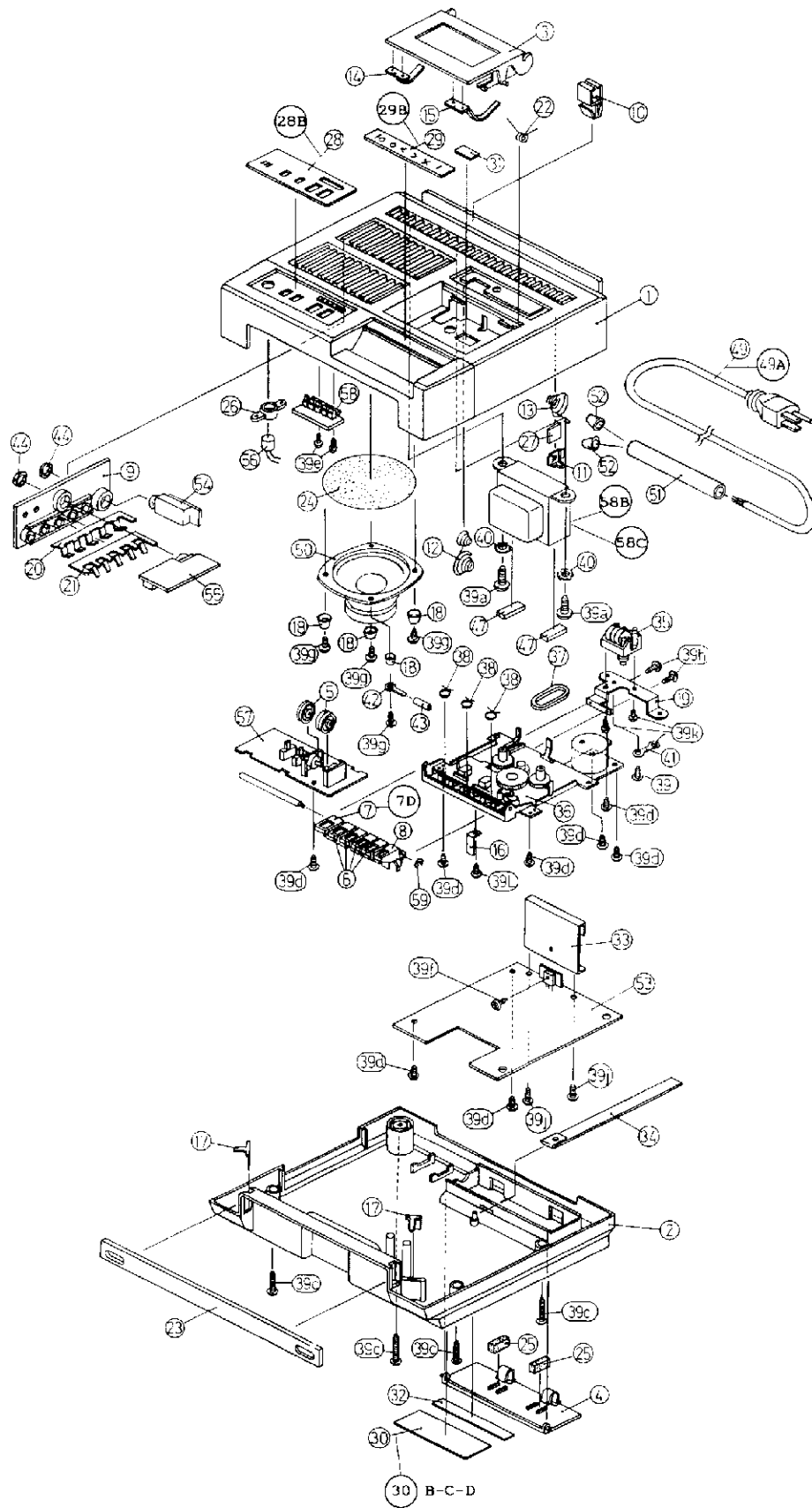


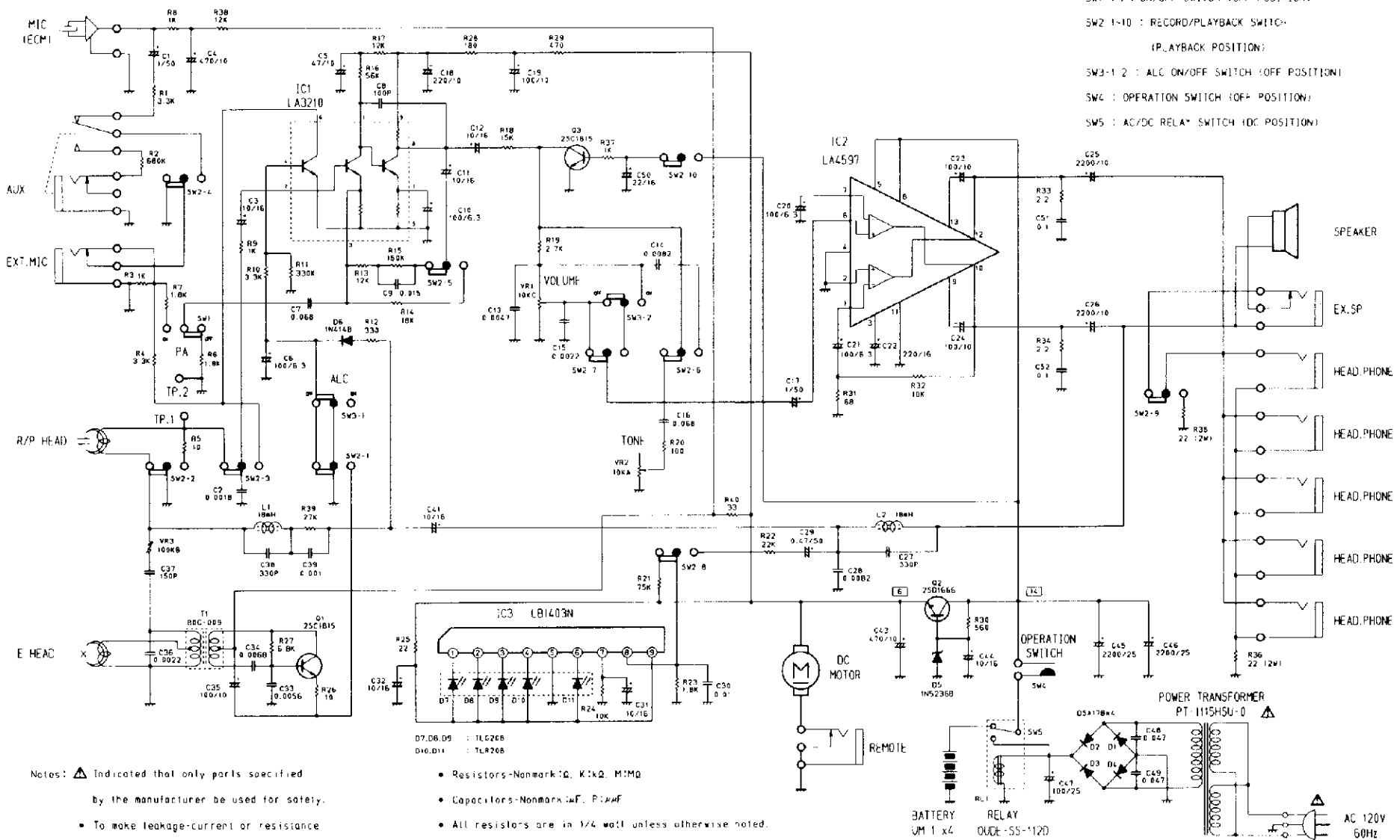
Wiring Diagram

Transport Explosion



Title CDS-83		
Drawing No.	Date	Appd
CALIFONE		21300 Superior Street Chatsworth, CA 91311





- SW1 : PA ON/OFF SWITCH (OFF POSITION)
- SW2 1-10 : RECORD/PLAYBACK SWITCH (PLAYBACK POSITION)
- SW3-1 2 : ALC ON/OFF SWITCH (OFF POSITION)
- SW4 : OPERATION SWITCH (OFF POSITION)
- SW5 : AC/DC RELAY SWITCH (DC POSITION)

Notes: Indicated that only parts specified by the manufacturer be used for safety.

- To make leakage-current or resistance measurements to determine that exposed parts are acceptably insulated from the supply circuit before returning the appliance to the customer.

- Resistors-Nonmark: Ω, K:K, M:M, G:G
- Capacitors-Nonmark: μF, P:μF
- All resistors are in 1/4 watt unless otherwise noted.
- All capacitors are in 50VW unless otherwise noted.
- Electrolytic capacitors: H:Hour in μF/WV
- Voltage specified are positive with respect to chassis

D7, D8, D9 : TLG268
D10, D11 : TLR208

Replacement Parts

Case and Electrical Parts	
008-1640-00	Manual, Owner's
600-5700-001A	Cabinet, Top
600-5700-002A	Cabinet, Bottom
600-5700-003A	Door, Cassette
600-5700-004	Door, Battery
600-5700-005	Knob, Volume/Tone
600-5700-006A	Key, Single
600-5700-007A	Key, Record
600-5700-008A	Key, Pause
600-5700-009	Holder, Jack (A)
600-5700-010	Retainer, Cord
600-5700-011	Terminal, Battery (A)
600-5700-012	Terminal, Battery (B)
600-5700-013	Terminal, Battery (C)
600-5700-014	Spring, Cassette (L)
600-5700-015	Spring, Cassette (R)
600-5700-016	Plate, Record
600-5700-017	Bracket, Handle
600-5700-018	Bracket, Speaker
600-5700-019	Bracket, Counter
600-5700-020	Bracket, Jack (A)
600-5700-021	Bracket, Jack (B)
600-5700-022	Spring, Cassette Door Eject
600-5700-023	Handle
600-5700-024	Cushion, Speaker
600-5700-025	Cushion, Battery
600-5700-026	Holder, Rubber Microphone
600-5700-027	Fiber, Battery
600-5700-029A	Escutcheon, Function Panel
600-5700-031	Plate, Reflection
600-5700-032A	Plate, Warning
600-5700-033	Heat Sink
600-5700-034	Ribbon, Battery Tether
600-5700-035	Counter
600-5700-036	Mechanism, Cassette
600-5700-037	Belt, Counter
600-5700-038	Spring, Key Lever
600-5700-040	Washer, Tooth 405-2
600-5700-041	Lug, Ground 10014-27
600-5700-042	Clamp, Wire w/Tube
600-5700-043	Tube, #6 45mm
600-5700-044	Nut, Headphone M12
600-5700-047	Cushion, Transformer
600-5700-049	Cord, AC Canada
600-5700-050	Speaker
600-5700-051	Tube, AC Cord
600-5700-052	Connector, Wire G-O
600-5700-053A	PCB, Main
600-5700-054	Jack, Extension Speaker
600-5700-055	PCB, Aux/Mic Jack
600-5700-056	Microphone, Electret
600-5700-057	PCB, Volume Control
600-5700-058	PCB, LED Meter
600-5700-059	E-Ring, Ket Shaft 03
600-5700-060	Diode, DSA17B
600-5700-061	Diode, Z 1N5236B
600-5700-062	IC, Power LA4597
600-5700-063	Transformer, 2SD1666
600-5700-064	Relay, OUDESS112D
600-5700-065	Resistor, Volume 10K
600-5700-066	Resistor, Tone 10K
600-5700-067	Inductor, 8mH
600-5700-068	Diode, 1N4148
600-5700-069	LED, Green
600-5700-070	LED, Red
600-5700-071	IC, Level Meter LB1403N
600-5700-072	Switch, PA/ALC
600-5700-073	Switch, Record/Play
600-5700-074	Coil, OSC
600-5700-075	Resistor, Semi Fixed 100K
600-5700-076	Jack, External Microphone
600-5700-077	Jack, Remote Microphone
600-5700-30D	Escutcheon, Rating U.S.
600-5700-39A	Screw, Transformer P4 x 12
600-5700-39C	Screw, Case Bottom P3 x 20
600-5700-39D	Screw, Deck/PCB Mounting
600-5700-39E	Screw, LED PCB P3 x 6
600-5700-39F	Screw, Transistor B3 x 8
600-5700-39G	Screw, Speaker P2.6 x 8
600-5700-39H	Screw, Counter Bracket S2 x 4
600-5700-39I	Screw, Ground C3 x 6
600-5700-39J	Screw, Heat Sink M3 x 10
600-5700-39K	Screw, Counter M3 x 5
600-5700-39L	Screw, Record Plate M2 x 3
600-5700-49A	Cord, AC U.S.
600-5700-58B	Transformer, Power Canada
600-5700-58C	Transformer, Power U.S.
600-5700-245	Escutcheon, Control Panel
600-5700-250	Escutcheon, Rating
600-5700-254A	Shipping Carton
600-5700-260	Plate, Deck Mounting
Transport Parts	
600-3100-122	Belt, 2X Counter
600-3100-123	Counter, 2X
600-3100-283	Screw, 2.6 x 4mm
600-3100-292	Head, Record/Play
600-3100-293	Head, Erase
600-3600-534	Screw, Machine 2 x 3mm
600-5700-106	Lever, Pause
600-5700-107	Spring, Pause Cancel
600-5700-110	Assy, Pinch Roller
600-5700-114	Case, Push Button
600-5700-117	Assy, Clutch
600-5700-135	Gear, Play Arm
600-5700-140	Wheel, Fly
600-5700-143	Base, Head Footing
600-5700-144	Footing, Head
600-5700-146	Bracket, Function Key
600-5700-147	Shaft, Function Key
600-5700-151	Arm, Eject
600-5700-152	Lever, Stop
600-5700-153	Lever, Fast Forward
600-5700-154	Lever, Rewind
600-5700-155	Lever, Play
600-5700-156	Plate, S.W. Op.
600-5700-157	Plate, Lock
600-5700-158	Lever, Record
600-5700-159	Plate, APS Lock
600-5700-160	Lever, Head Op. 184 Op. Pin
600-5700-168	Spring, Leaf
600-5700-171	Lever, Auto Kick
600-5700-172	Spindle, Supply
600-5700-173	Gear, Fast Forward
600-5700-174	Hook, Eject
600-5700-175	Arm, Cancel
600-5700-176	Arm, Cancel
600-5700-178	Lever, Record Safety
600-5700-179	Lock, Pause
600-5700-181	Bushing, Lock Pause Stopper
600-5700-187	Spring, Eject Hook
600-5700-188	Spring, Lock Plate
600-5700-189	Spring, S.W. Op. Plate
600-5700-190	Spring, Play Arm
600-5700-191	Spring, Rewind Bt.
600-5700-192	Spring, Auto Kick Arm
600-5700-193	Spring, Play Lever
600-5700-194	Spring, AF Record Safety
600-5700-196	Spring, Azimuth
600-5700-197	Spring, Pause Lock
600-5700-198	Spring, Record Lever
600-5700-199	Spring, Pinch Roller Arm
600-5700-200	Spring, Head Base
600-5700-201	Spring, Button Lever (A)
600-5700-202	Spring, Button Lever (B)
600-5700-203	Spring, Erase Head Align.
600-5700-206	Main, Main Drive
600-5700-207	Belt, Clutch Assy.
600-5700-210	Switch, Leaf
600-5700-215	Motor, D.C. Drive
600-5700-216	Pulley, Motor
600-5700-217	Bracket, Drive Motor Mntg.
600-5700-218	Grommets, Motor Mounting
600-5700-219	Pad, Felt Anti-Vibration
600-5700-221	Retainer, Fast Forward Gear
600-5700-222	Washer, PSW 2.1x3.6x.4mm
600-5700-223	Washer, 1.2 x 3.6 x .35mm
600-5700-225	Washer, Supply Spindle
600-5700-226	Spindle, Take Up
600-5700-230	Lug, R/P Head Grounding
600-5700-232	Screw, Bind DT 2 x 4mm
600-5700-233	Screw, Bind Head 2 x 5mm
600-5700-235	Screw, Record/Play Head
600-5700-236	Screw, DT #1 2 x 7mm
600-5700-238	E-Ring, Function Key Shaft
600-5700-239	Screw, Erase Head
600-5700-240	Screw, Plax, 2 x 8mm
600-5700-243	Washer, 1.6 x 4 x .25mm
600-5700-244	Washer, 2.1 x 5 x .5mm

For additional information call Califone Customer Service at 1-800-722-0500 or write to: Califone International, Inc., 21300 Superior Street, Chatsworth, CA 91311. In Canada 1-604-254-5148, Califone Industries, Ltd., 1305 Odium Drive, Vancouver BC V5L 3M1.