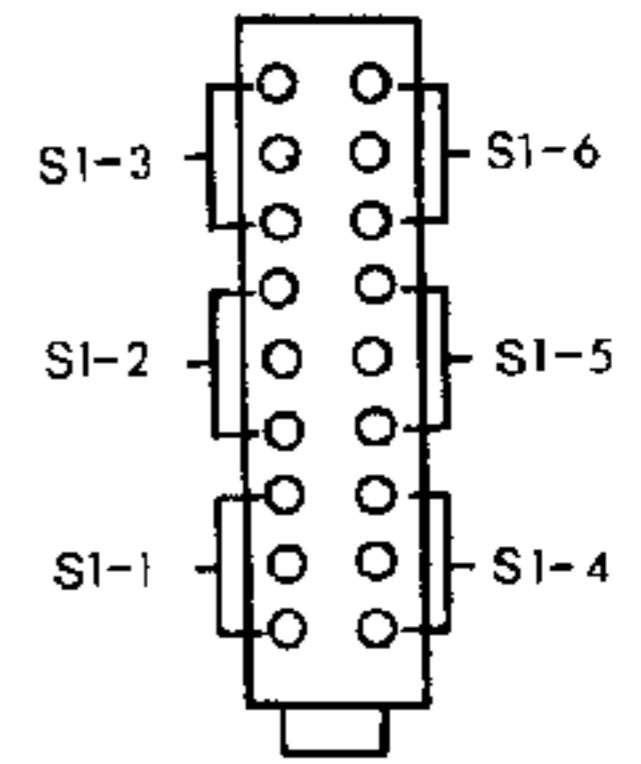
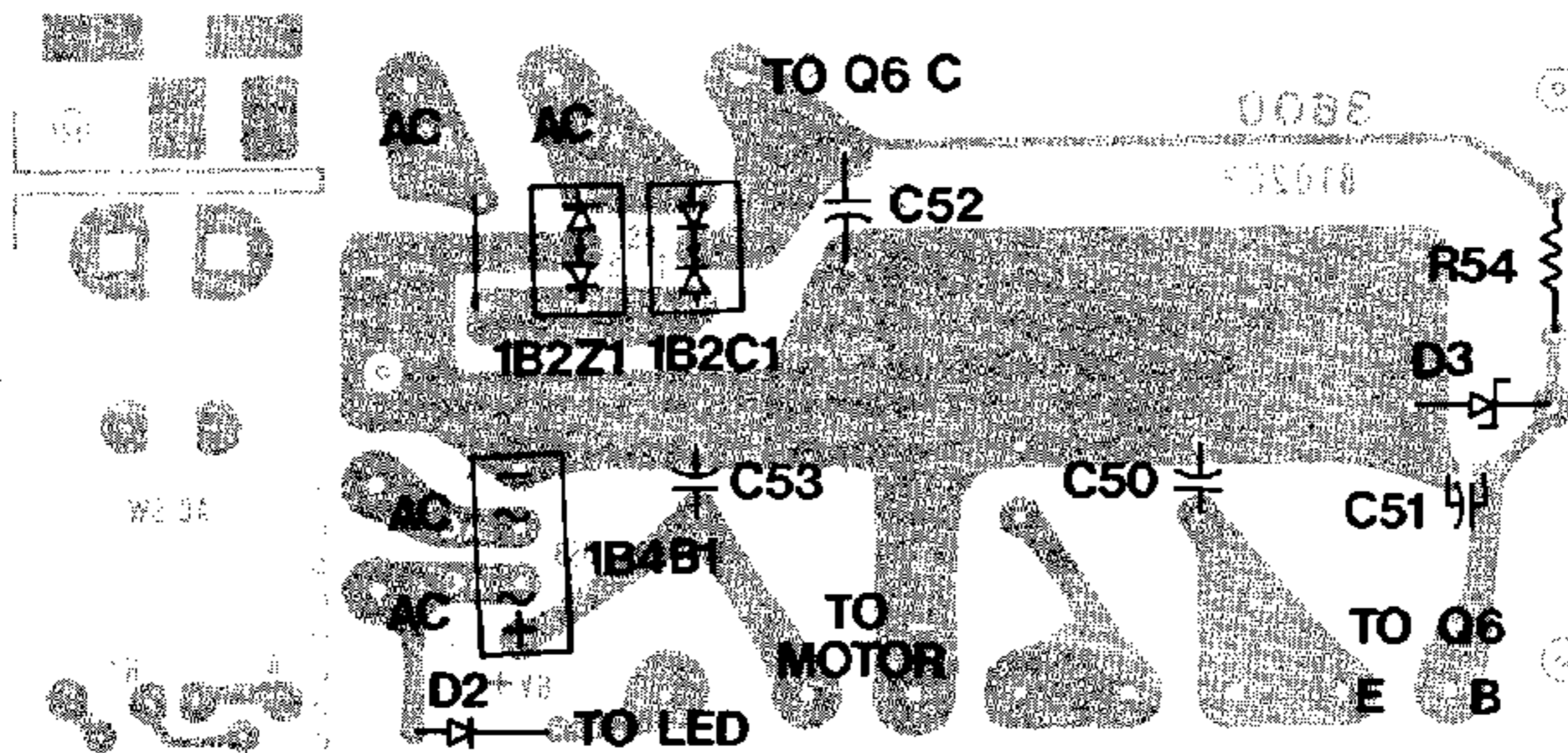


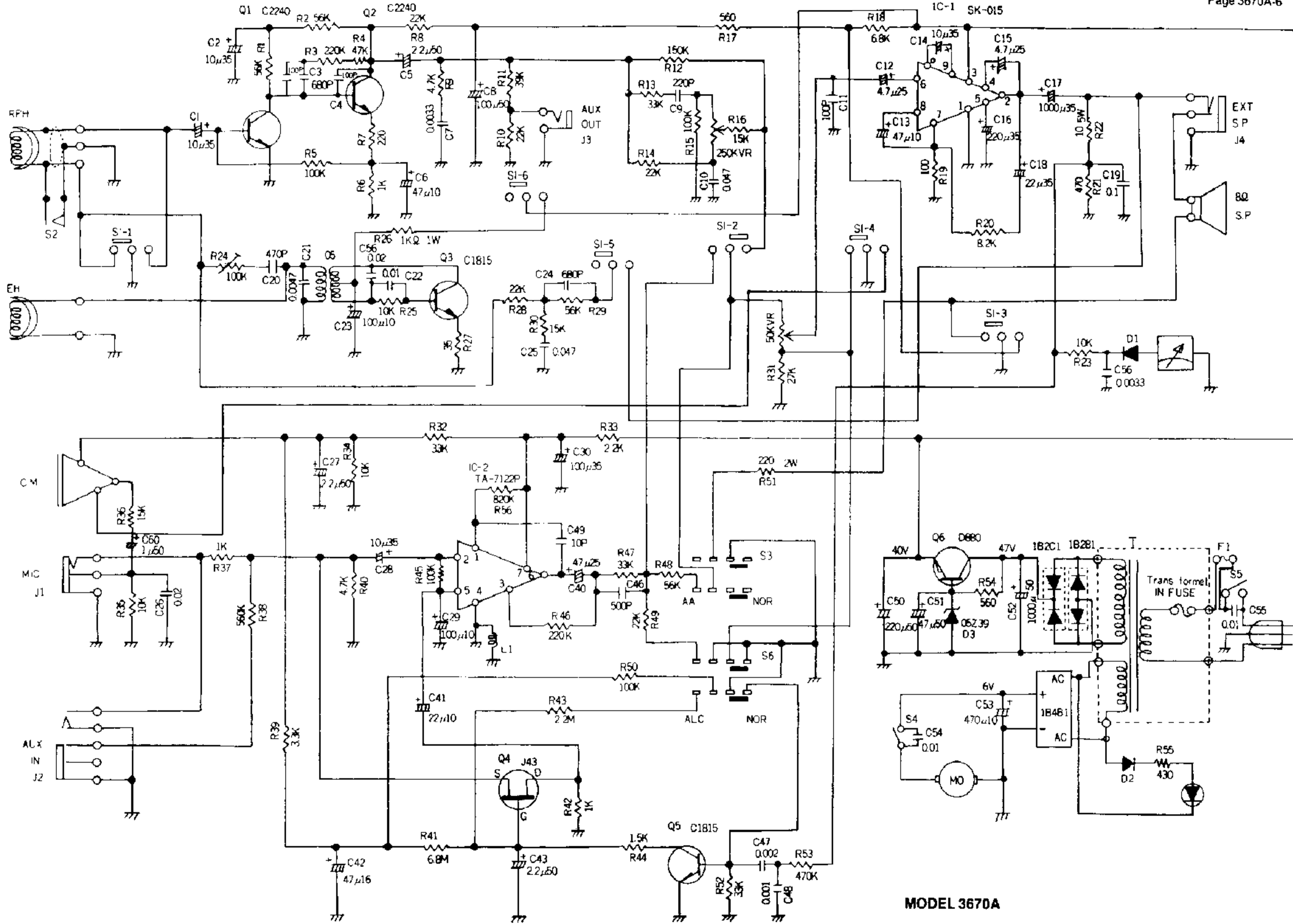
**MAIN P.C. BOARD  
Top View**



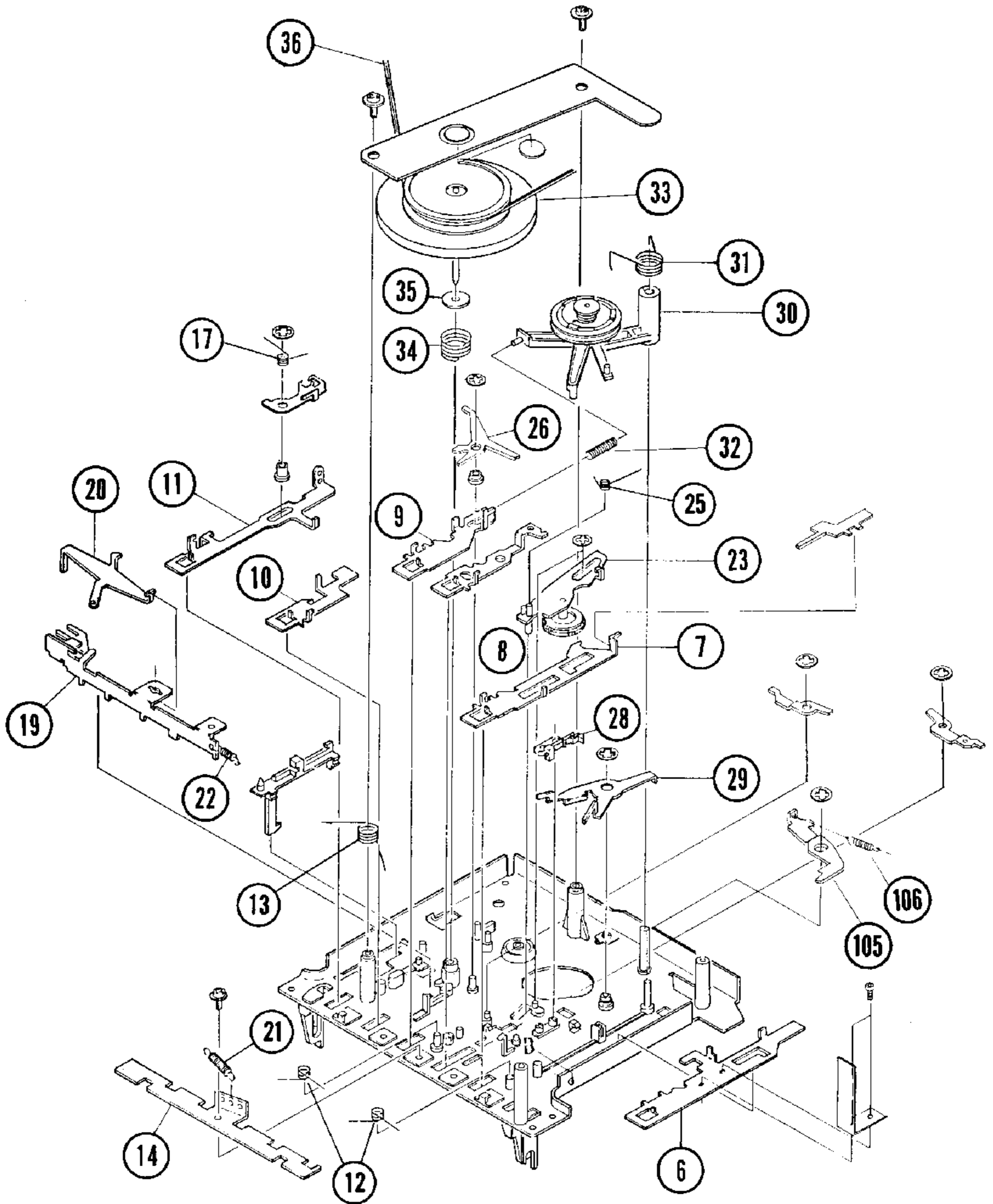
**REC/PLAY SWITCH  
Bottom View**



**POWER SUPPLY P.C. BOARD**

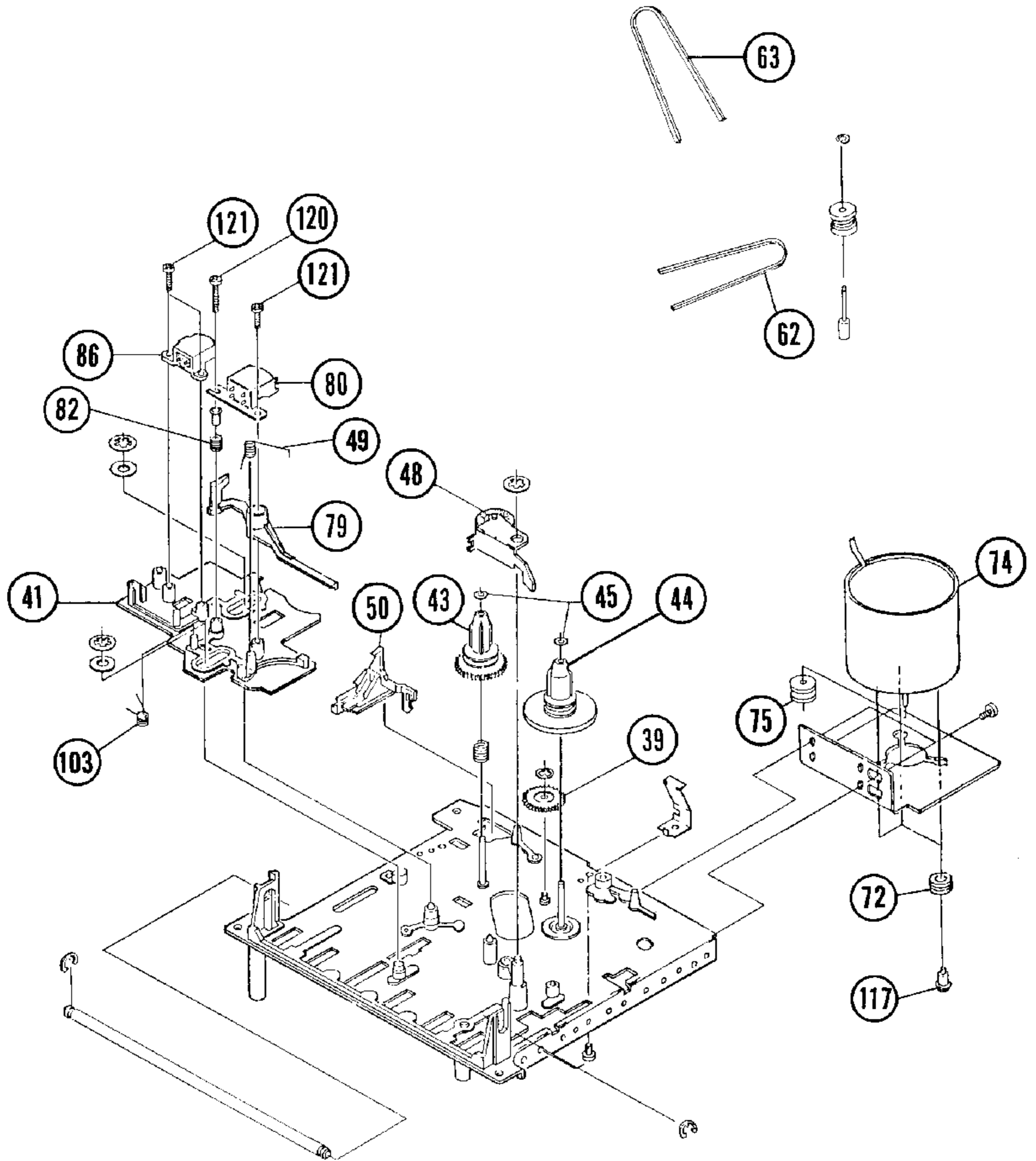


MODEL 3670A



**TRANSPORT MECHANISM**  
**Bottom Side**





**TRANSPORT MECHANISM**  
**Top Side**