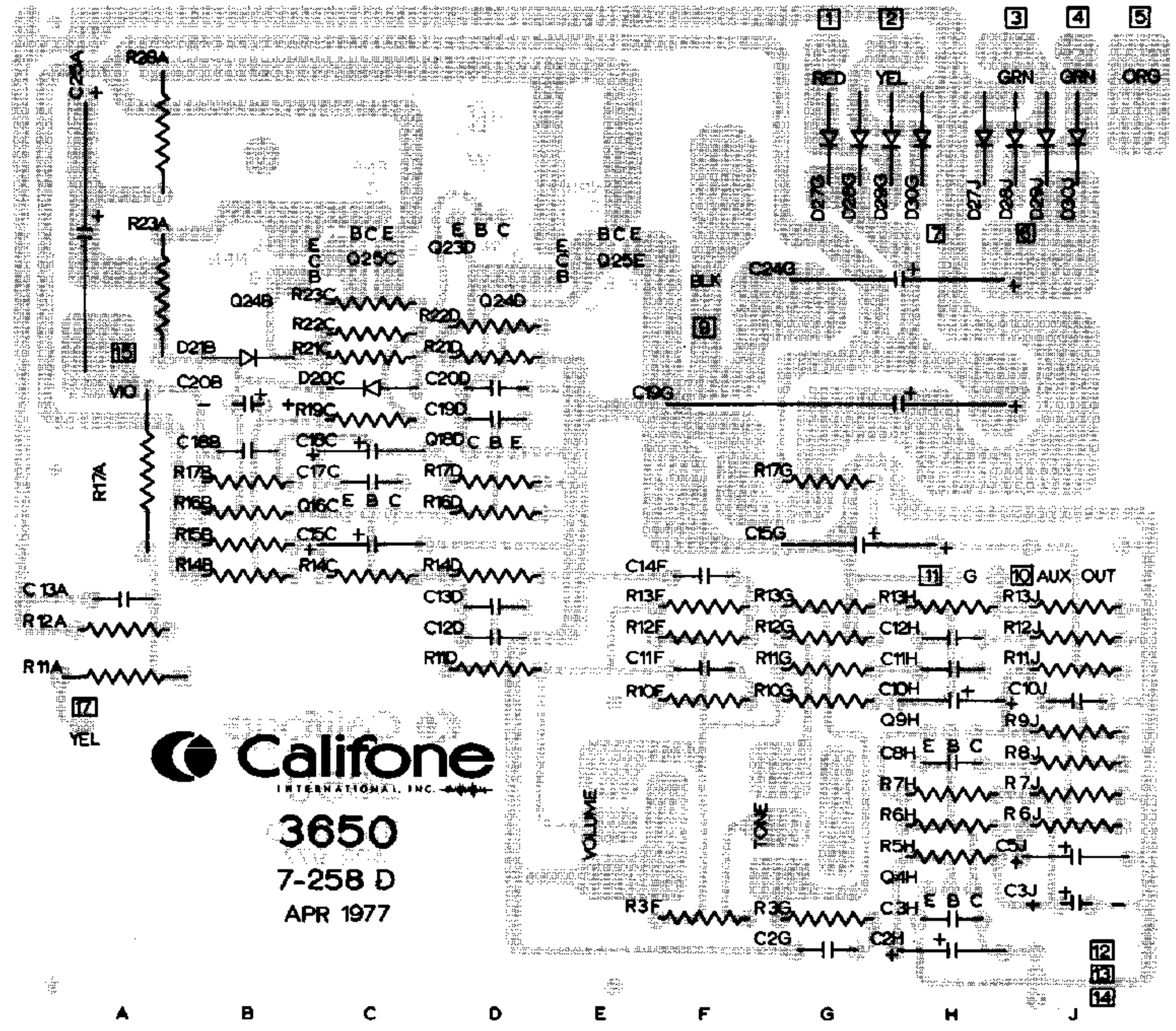
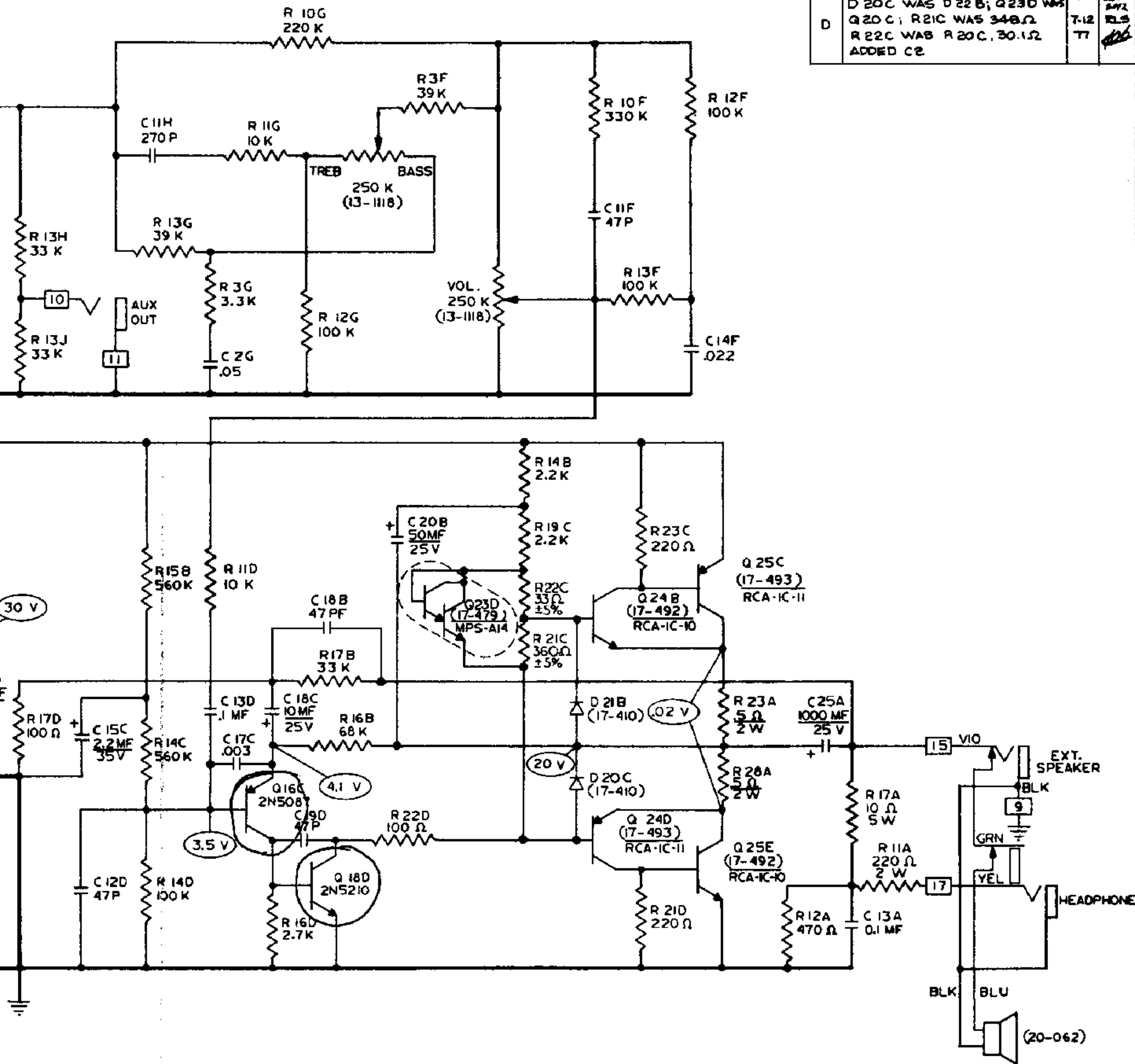


3650 AMPLIFIER CIRCUIT BOARD

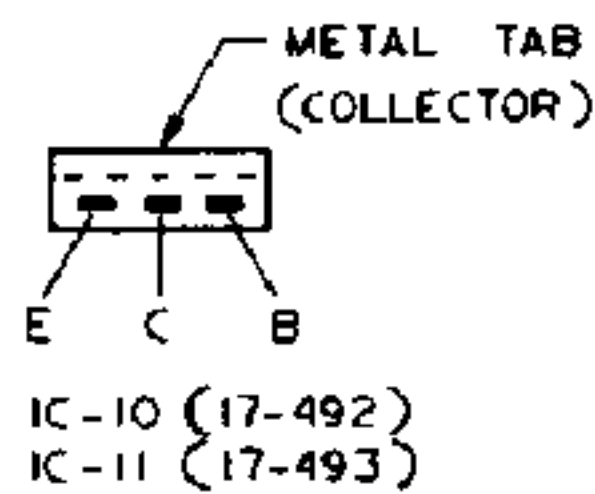


3650
7-258 D
APR 1977

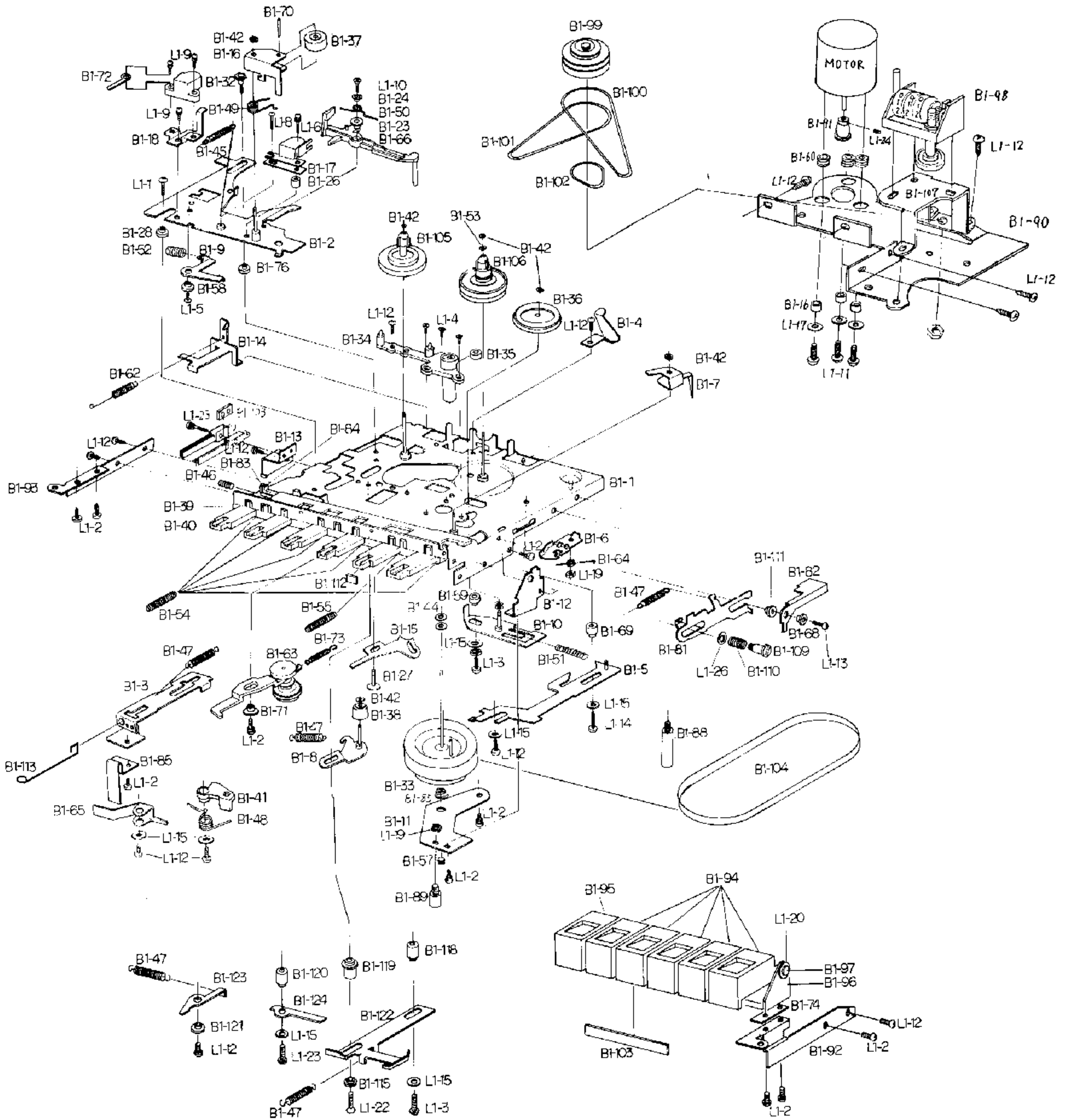
REV.	DESCRIPTION	DATE	APP'D
C	MATCHES 7-258C PC. BOARD	2-77	<i>[Signature]</i>
D	D 20C WAS D 22 B; Q 23D WAS Q 20 C; R 21C WAS 340Ω R 22C WAS R 20C, 30.1Ω ADDED C2	7-12 TT	<i>[Signature]</i>



FOR BASING: BOTTOM VIEW



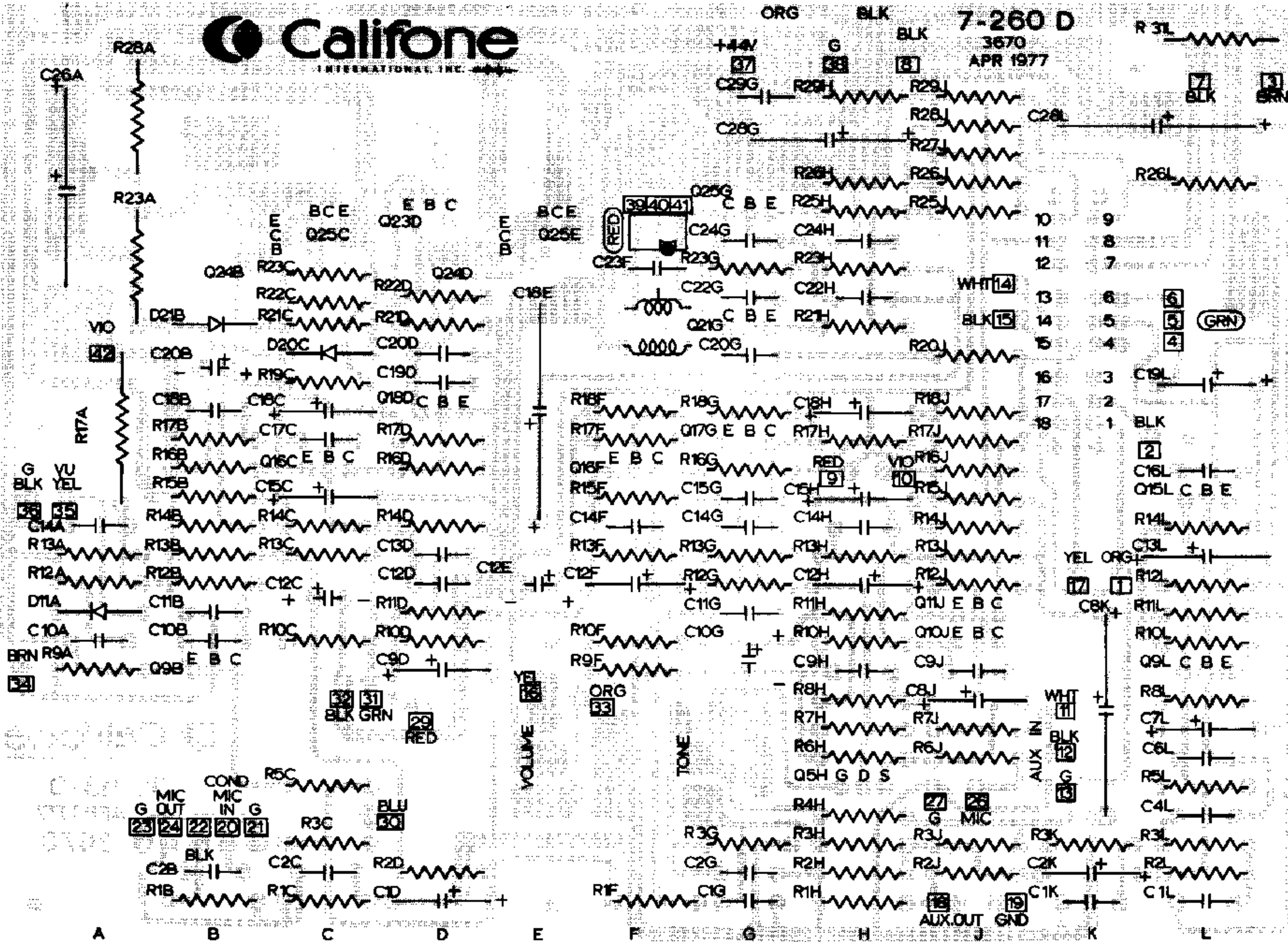
TRANSPORT EXPLODED VIEW



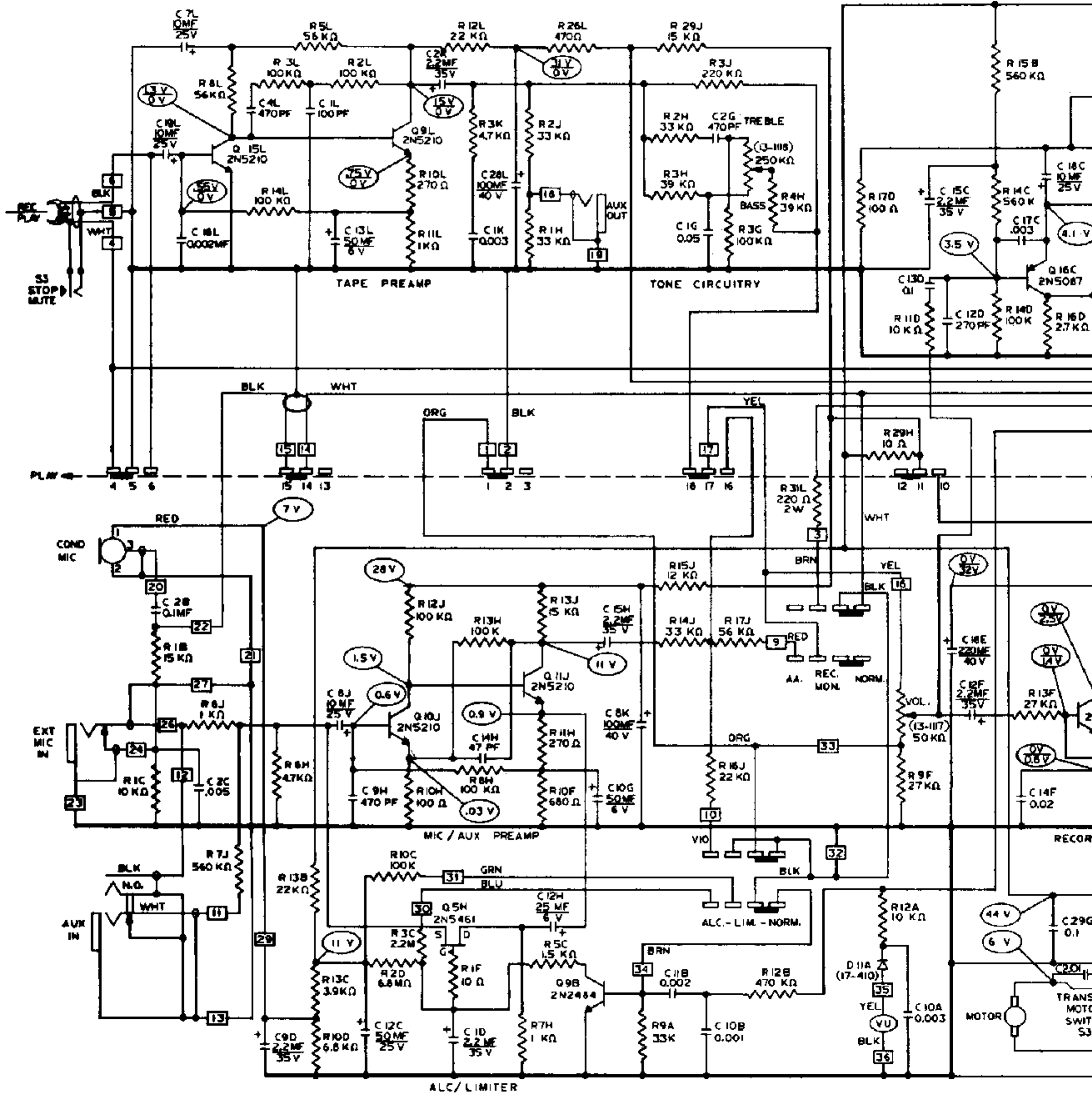


ORG BLK 7-260 D

3670
APR 1977



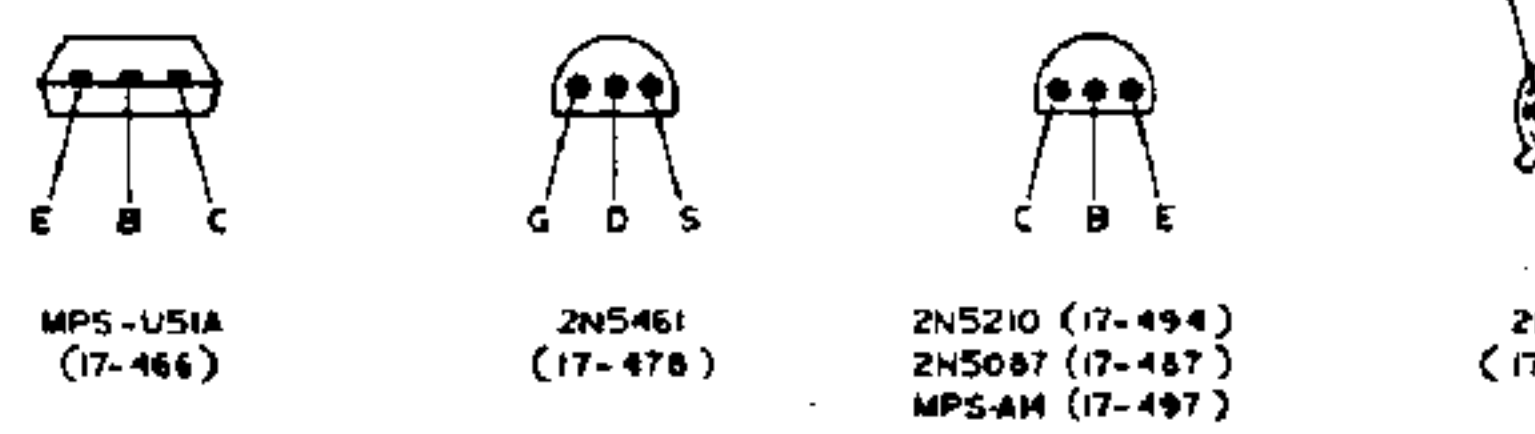
3670 AMPLIFIER CIRCUIT BOARD



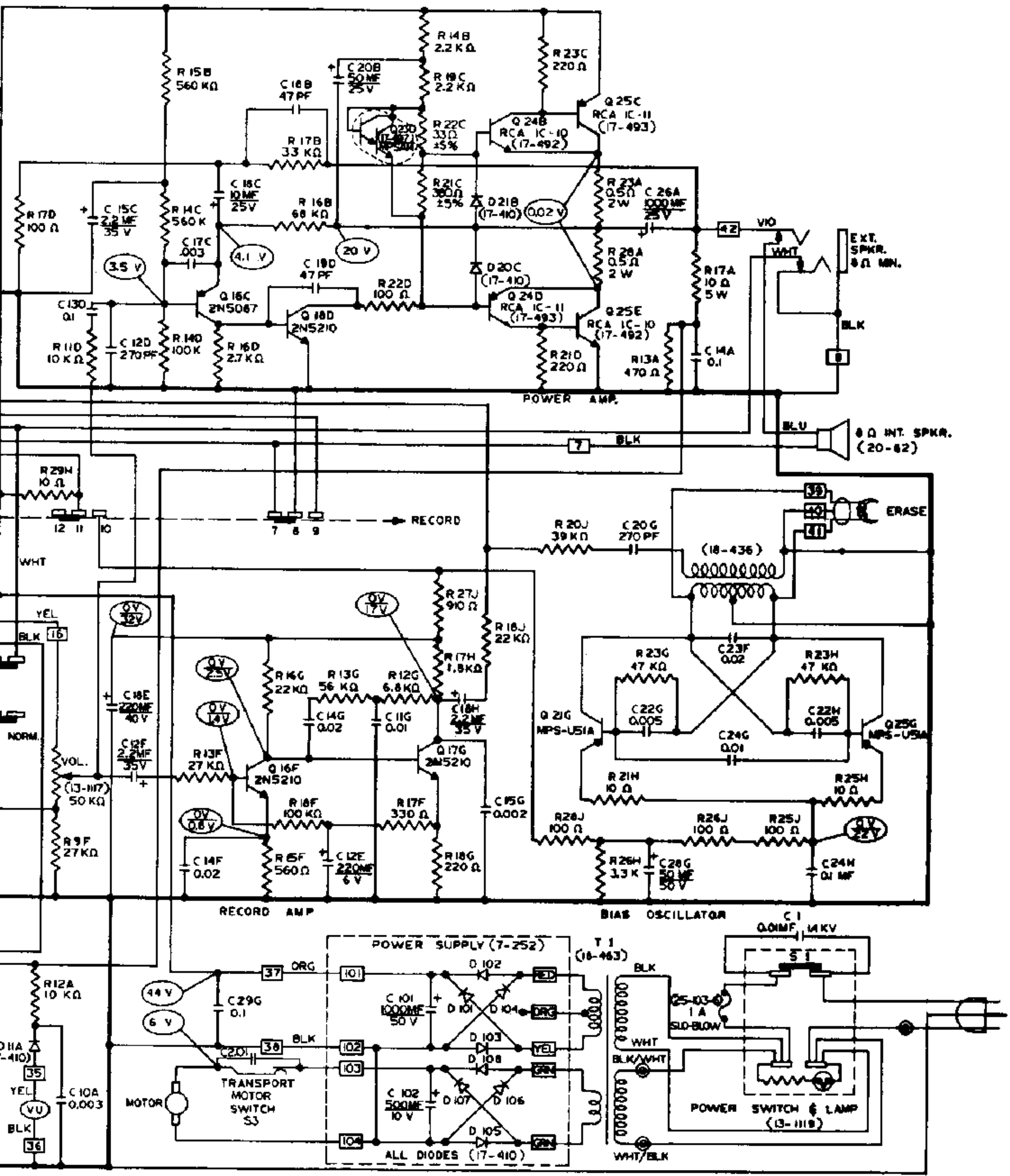
NOTES: (UNLESS OTHERWISE SPECIFIED.)

1. ALL RESISTORS RATED IN OHMS, $\pm 10\%$, 1/2 WATT.
2. ALL CAPACITORS RATED IN MFD $\pm 20\%$, 50 V.
3. ALL DC VOLTAGES $\pm 10\%$ MEASURED FROM CHASSIS, 0.0V INDICATES PLAYBACK MODE WITH NO SIGNAL, 0.0V INDICATES RECORD MODE WITH NO SIGNAL.
4. CALIFONE PART NUMBERS SHOWN IN ().
5. FOR 220/240 V OPERATION DISCONNECT THE 3 WIRES MARKED \oplus . CONNECT THE BLK/WHT (BLACK WITH WHITE STRIPE) WIRE TO THE WHT WIRE AT THE POWER SWITCH TERMINAL. CONNECT THE WHT/BLK (WHITE WITH BLACK STRIPE) WIRE TO THE AC POWER LINE WIRE.

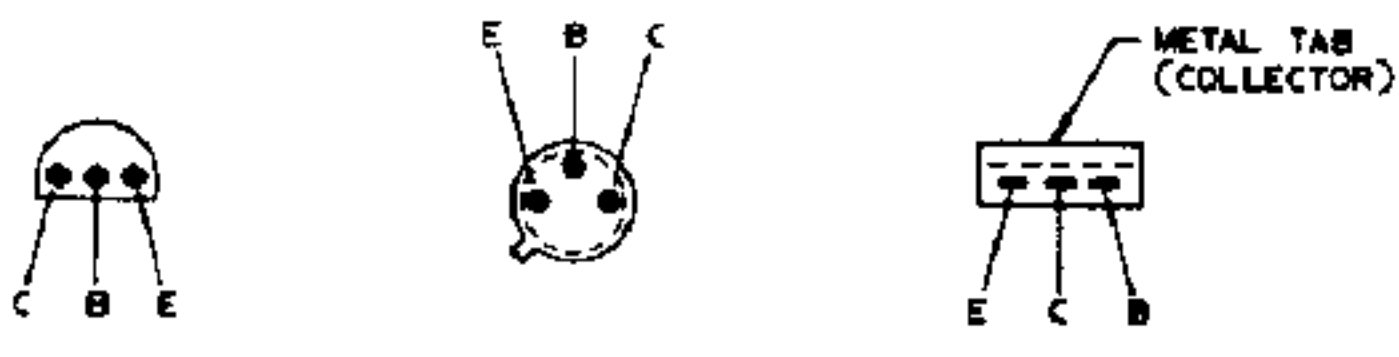
TRANSISTOR BASING: BOTTOM VIEW



REV	DESCRIPTION	DATE	BY
C	REVISED 7-16-68 RE BOARD 3377		
D	D 80C WAS D 82 B; R21C WAS 300Ω; R22C WAS R20C. 90.1Ω; Q 23 D. WAS B 80C ADDED C2, 93	7-12 77	



TRANSISTOR BASING : BOTTOM VIEW



- 2N5210 (17-494)
- 2N5087 (17-487)
- MPS-414 (17-497)
- 2N2484 (17-495)
- IC-10 (17-492)
- IC-11 (17-493)