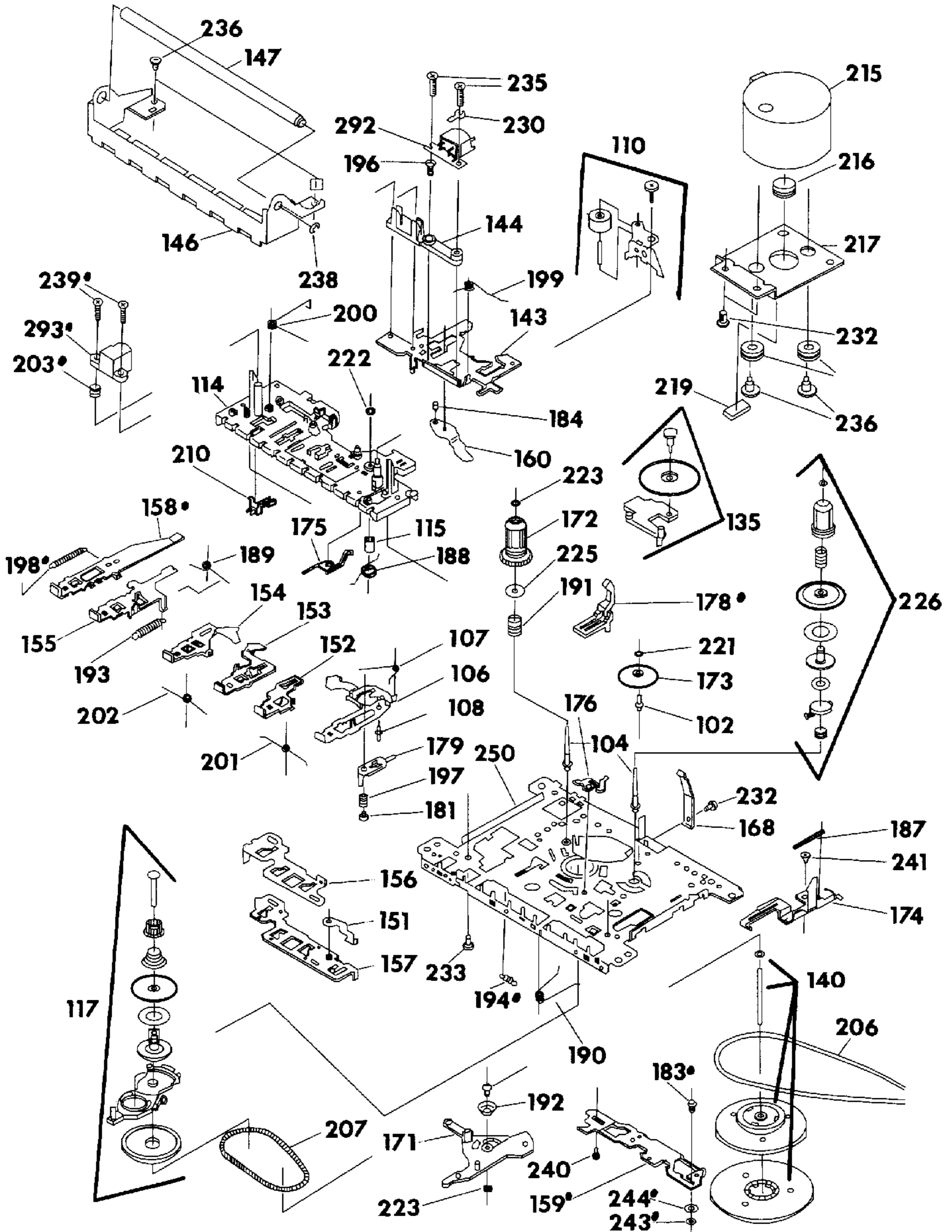
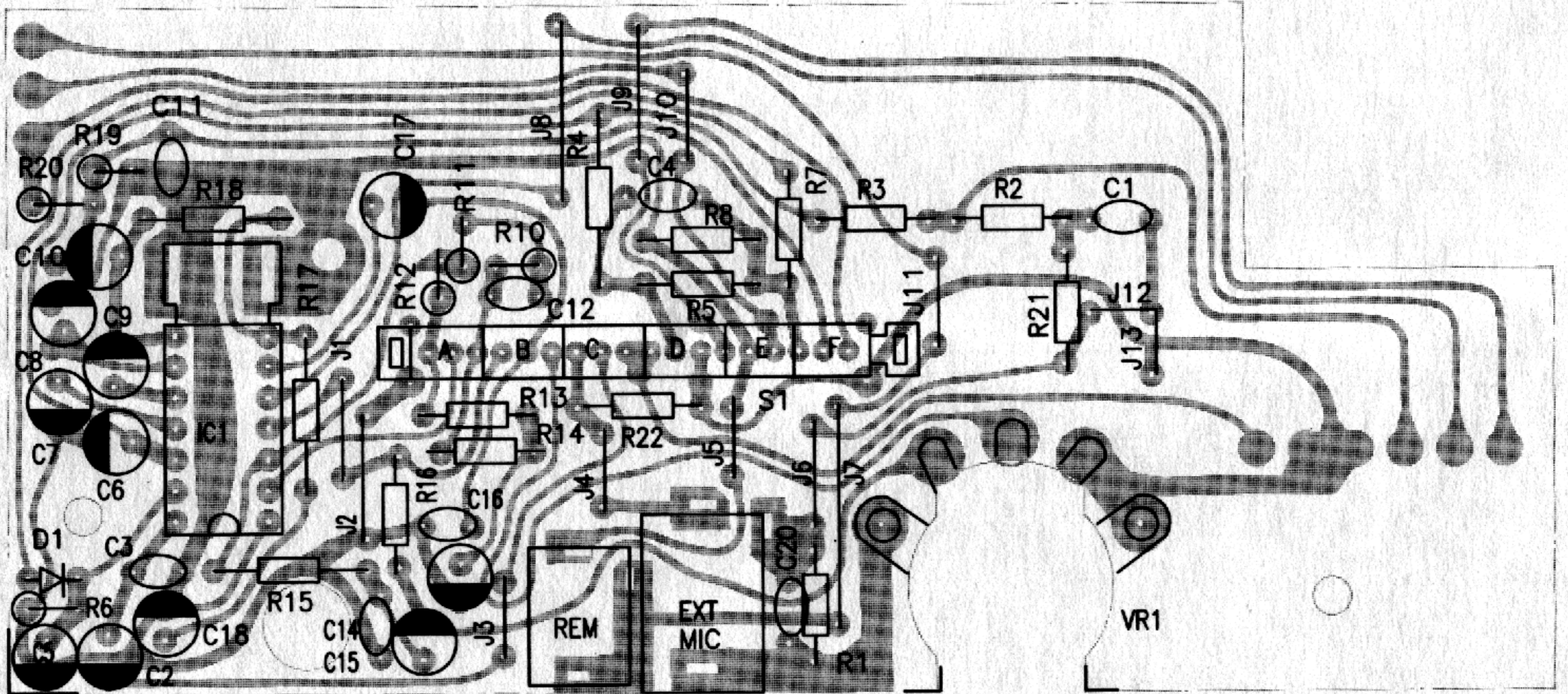


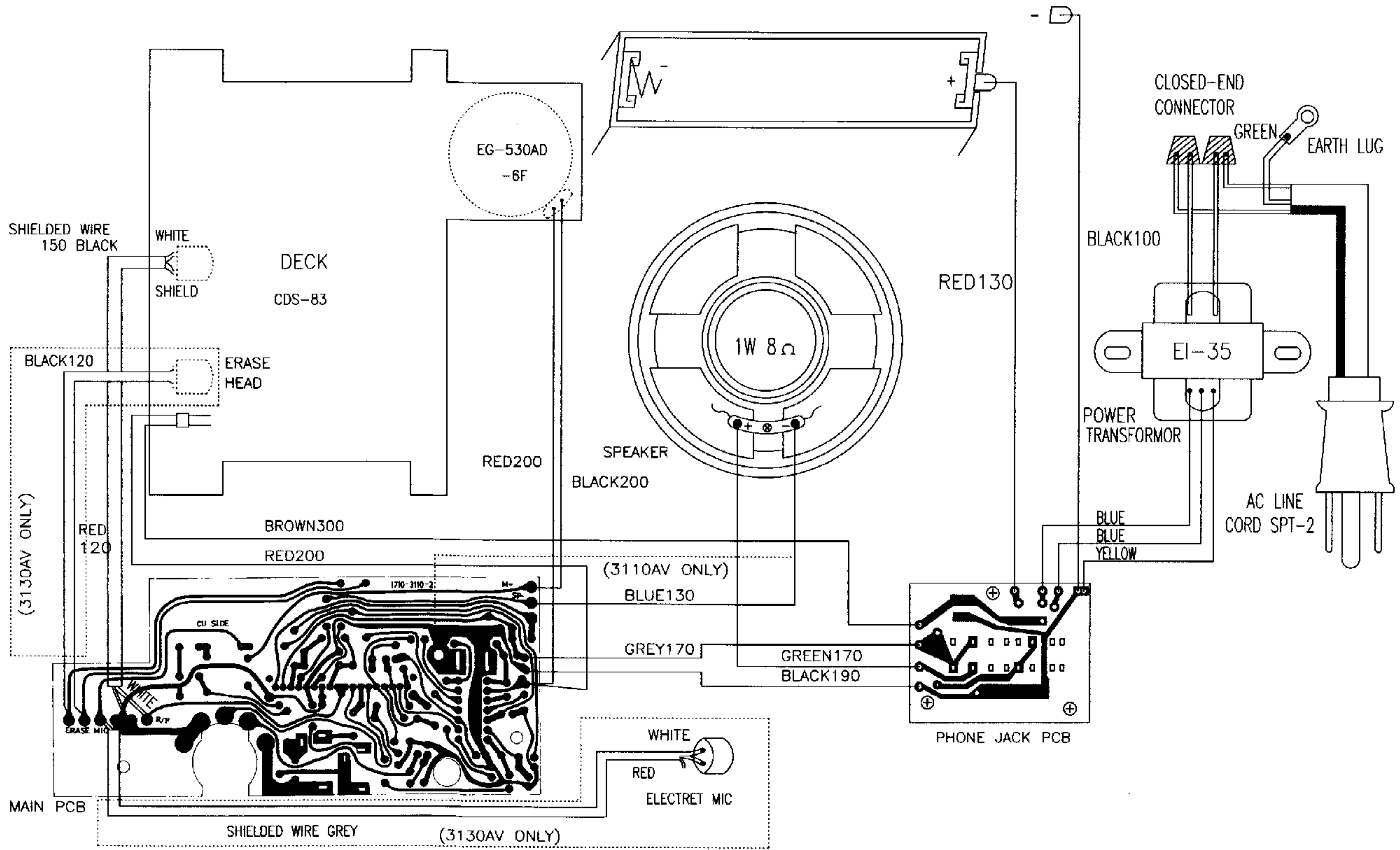
Transport Explosion



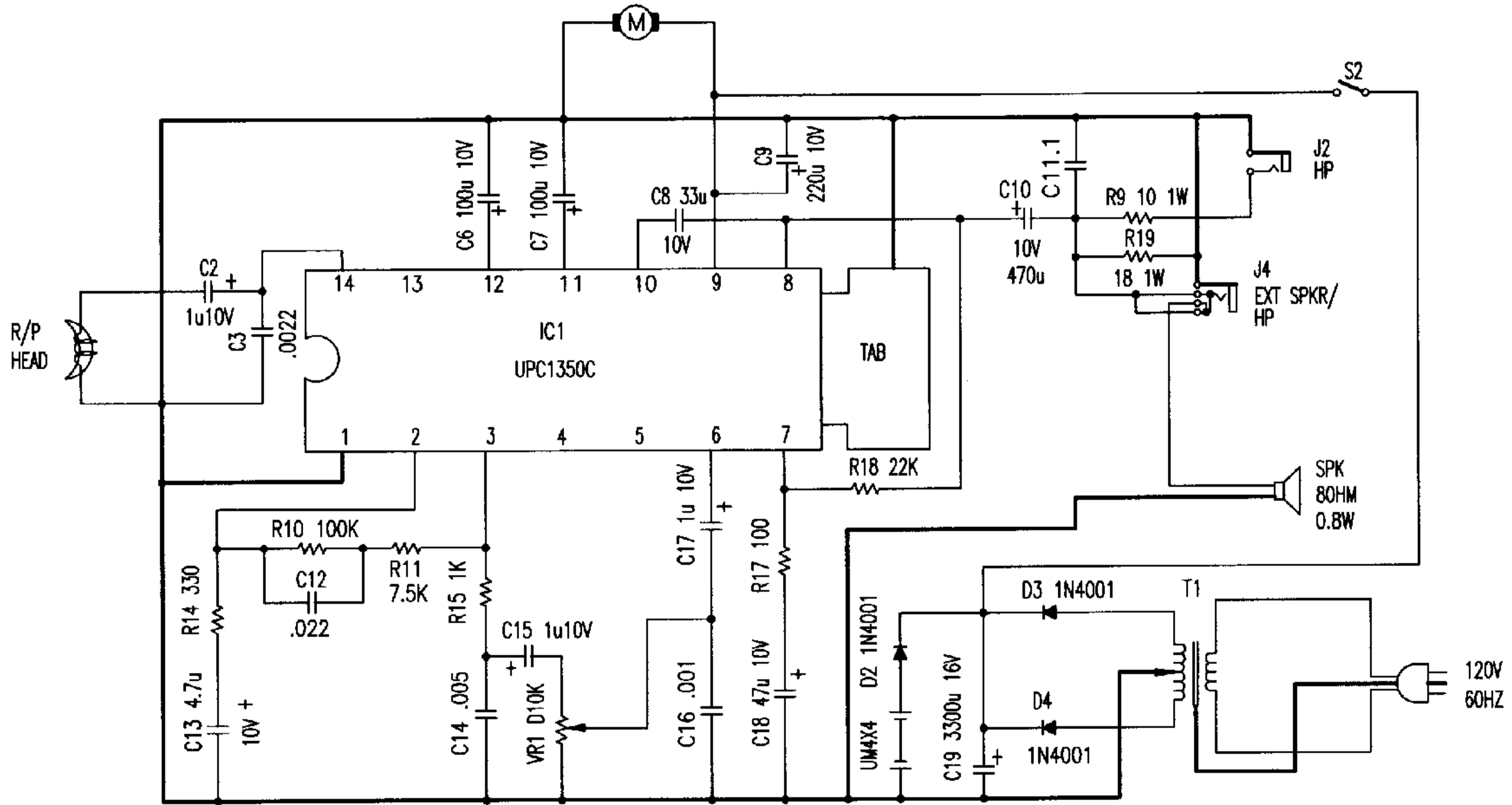
● RECORDER ONLY

Title CDB-83		
Drawing No.	Date	Appd.
CALIFONE		21300 Superior Street Chatsworth, CA 91311



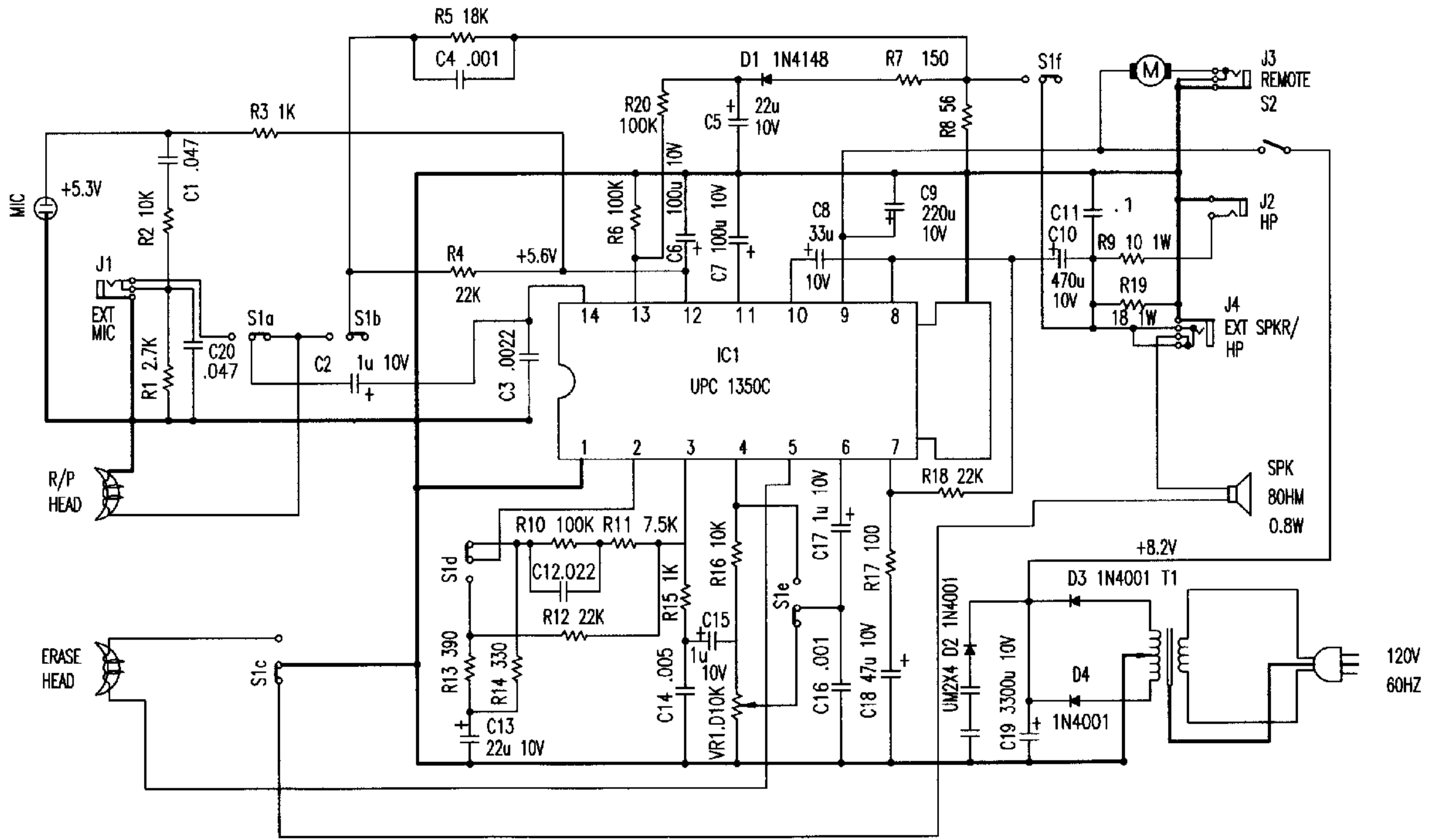


Wiring Diagram



NOTES:

1. ALL RESISTOR VALUES ARE IN OHM (K=1000OHMS)
2. ALL CAPACITOR VALUES ARE IN MICROFARAD, P= uUF



- NOTES:
1. ALL RESISTOR VALUES ARE IN OHM (K=1000 OHMS)
 2. ALL CAPACITOR VALUES ARE IN MICROFARAD, P= uuf

Schematic Diagram - Model 3130AV

Replacement Parts

Packing
 600-3100-242 Plastic Bag
 600-3100-243 Styro End Cap
 600-3100-245 Owner's Manual
 600-3100-246 Shipping Carton 3110AV
 600-3100-247 Shipping Carton 3130AV

Printed Circuit Board Assemblies
 600-3100-IC1 IC, UPC 1350C
 600-3100-S1 Switch, Record/Play
 600-3100-211 Headphone Jack, 6.3mm
 600-3100-221 Microphone Jack, 3.5mm
 600-3100-222 Remote Jack, 2.5mm
 600-3100-233 Pot, Volume Control 10K

Final Assembly
 600-3100-203 Escutcheon, 2X Counter
 600-3100-207A Door, Battery
 600-3100-208 Handle
 600-3100-210 Escutcheon, Headphone
 600-3100-212 Transformer, Power U.S.
 600-3100-213 Speaker, 8 Ohm 3" 1 Watt
 600-3100-214 Tie, Cord
 600-3100-216 Contact, Battery Dual
 600-3100-217 Contact, Battery Single -
 600-3100-218 Contact, Battery Single +
 600-3100-220 Knob, Volume
 600-3100-225 Clamp, Speaker
 600-3100-232 Spring, Cassette Lid Eject
 600-3100-248 Assy, PCB Amplifier 3110AV
 600-3100-249 Assy, PCB Headphone Jack
 600-3100-250 Assy, PCB Amplifier 3130AV
 600-3100-251 Screw, Machine 1.7 x4 x0.4mm
 600-3100-252 Screw, Machine 2.0 x4 x0.4mm
 600-3100-253 Screw, 2.6 x 6mm Binding
 600-3100-254 Screw, 3 x 4mm
 600-3100-256 Screw, Self Tapping 3 x 4mm
 600-3100-257 Screw, Self Tapping 3 x 6mm
 600-3100-258 Screw, Self Tapping 3x6mmBT
 600-3100-259 Screw, Self Tapping 3 x 10mm
 600-3100-260 Screw, Self Tapping 3 x 12mm
 600-3100-261 Screw, Self Tapping 3 x 25mm
 600-3100-262 Screw, Self Tapping 3.5x12mm
 600-3100-263 Cord, AC Power US, U.L.
 600-3100-264 Mechanism, Transport 3110
 600-3100-265 Plate, Reflector
 600-3100-266 Escutcheon, Rating U.S. 3110
 600-3100-267 Escutcheon, Vol Control 3110
 600-3100-268 Escutcheon, Vol Control 3110
 600-3100-269 Escutcheon, Function 3110
 600-3100-270 Key, Function Double Grey
 600-3100-271 Cabinet, Top
 600-3100-272 Cabinet, Bottom
 600-3100-273 Door, Cassette
 600-3100-274 Key, Function Grey Single
 600-3100-275 Cord, AC Power Canada CSA
 600-3100-276 Escutcheon, Rating 3110 CDN

600-3100-277 Label, Caution French
 600-3100-278 Transformer, Power CDN
 600-3100-279 Clip, Handle Lock
 600-3100-280 Holder, Electret Microphone
 600-3100-281 Microphone, Electret
 600-3100-282 Screw, 2 x 3mm
 600-3100-283 Screw, 2.6 x 4mm
 600-3100-284 Plate, Recording Push
 600-3100-285 Mechanism, Transport 3130
 600-3100-286 Escutcheon, Rating 3130 U.S.
 600-3100-287 Escutcheon, Rating 3130 CDN
 600-3100-288 Escutcheon, Vol Control (A)
 600-3100-289 Escutcheon, Vol Control (B)
 600-3100-290 Escutcheon, Function 3130
 600-3100-291 Key, Function Red Single
 600-3100-294 Ribbon, Battery Door
 600-3100-295 Washer, Fiber 3.8 x 7 x 0.8mm
 600-3100-296 Washer, Fiber 14.5 x 3.2 x 1mm
 600-3100-297 Washer, Internal Tooth 2.6mm
 600-3100-298 Washer, Internal Tooth 3mm

Transport Parts
 600-3100-122 Belt, 2X Counter
 600-3100-123 Counter, 2X
 600-3100-292 Head, Record/Play
 600-3100-293 Head, Erase
 600-5700-106 Lever, Pause
 600-5700-107 Spring, Pause Cancel
 600-5700-110 Assy, Pinch Roller
 600-5700-114 Case, Push BUtton
 600-5700-117 Assy, Clutch
 600-5700-135 Gear, Play Arm
 600-5700-140 Wheel, Fly
 600-5700-143 Base, Head Footing
 600-5700-144 Footing, Head
 600-5700-146 Bracket, Function Key
 600-5700-147 Shaft, Function Key
 600-5700-151 Arm, Eject
 600-5700-152 Lever, Stop
 600-5700-153 Lever, Fast Forward
 600-5700-154 Lever, Rewind
 600-5700-155 Lever, Play
 600-5700-156 Plate, S.W. Op.
 600-5700-157 Plate, Lock
 600-5700-158 Lever, Record
 600-5700-159 Plate, APS Lock
 600-5700-160 Lever, Head Op. 184 Op. Pin
 600-5700-168 Spring, Leaf
 600-5700-171 Lever, Auto Kick
 600-5700-172 Spindle, Supply
 600-5700-173 Gear, Fast Forward
 600-5700-174 Hook, Eject
 600-5700-175 Arm, Cancel
 600-5700-176 Arm, Cancel
 600-5700-178 Lever, Record Safety
 600-5700-179 Lock, Pause

600-5700-181 Bushing, Lock Pause Stoppe
 600-5700-187 Spring, Eject Hook
 600-5700-188 Spring, Lock Plate
 600-5700-189 Spring, S.W. Op. Plate
 600-5700-190 Spring, Play Arm
 600-5700-191 Spring, Rewind Bt.
 600-5700-192 Spring, Auto Kick Arm
 600-5700-193 Spring, Play Lever
 600-5700-194 Spring, AF Record Safety
 600-5700-196 Spring, Azimuth
 600-5700-197 Spring, Pause Lock
 600-5700-198 Spring, Record Lever
 600-5700-199 Spring, Pinch Roller Arm
 600-5700-200 Spring, Head Base
 600-5700-201 Spring, Button Lever (A)
 600-5700-202 Spring, Button Lever (B)
 600-5700-203 Spring, Erase Head Align.
 600-5700-206 Main, Main Drive
 600-5700-207 Belt, Clutch Assy.
 600-5700-210 Switch, Leaf
 600-5700-215 Motor, D.C. Drive
 600-5700-216 Pulley, Motor
 600-5700-217 Bracket, Drive Motor Mntg.
 600-5700-218 Grommets, Motor Mounting
 600-5700-219 Pad, Felt Anti-Vibration
 600-5700-221 Retainer, Fast Forward Gear
 600-5700-222 Washer, PSW 2.1x3.6x.4mm
 600-5700-223 Washer, 1.2 x 3.6 x .35mm
 600-5700-225 Washer, Supply Spindle
 600-5700-226 Spindle, Take Up
 600-5700-230 Lug, R/P Head Grounding
 600-5700-232 Screw, Bind DT 2 x 4mm
 600-5700-233 Screw, Bind Head 2 x 5mm
 600-5700-235 Screw, Record/Play Head
 600-5700-236 Screw, DT #1 2 x 7mm
 600-5700-238 E-Ring, Function Key Shaft
 600-5700-239 Screw, Erase Head
 600-5700-240 Screw, Plax, 2 x 8mm
 600-5700-243 Washer, 1.6 x 4 x .25mm
 600-5700-244 Washer, 2.1 x 5 x .5mm

Final Assembly Screw Placement Information

600-3100-251 Screw, Machine 1.7 x 4 x 0.4mm
 600-3100-252 Screw, Machine 2.0 x 4 x 0.4mm
 600-3100-253 Screw, 2.6mm x 6 mm Binding Head
 600-3100-254 Screw, 3 x 4mm
 600-3100-257 Screw, Self Tapping 3mm x 6mm BA NI
 600-3100-259 Screw, Self Tapping 3mm x 10mm BA
 600-3100-260 Screw, Self Tapping 3 x 12mm
 600-3100-261 Screw, Self Tapping 3 x 24mm
 600-3100-283 Screw, 2.6mm x 4mm

Knob to Volume Pot
 Counter to Counter Mounting Bracket
 Main PCB to Mechanism
 Main, Control and Power Supply PCB's and Mechanism to deck
 Transformer and AC Cord to Deck
 Bottom to Top Case, Rear
 Counter Bracket to Mechanism

For additional information call Califone Customer Service at 1-800-722-0500 or write to:
 Califone International, Inc., 21300 Superior Street, Chatsworth, CA 91311