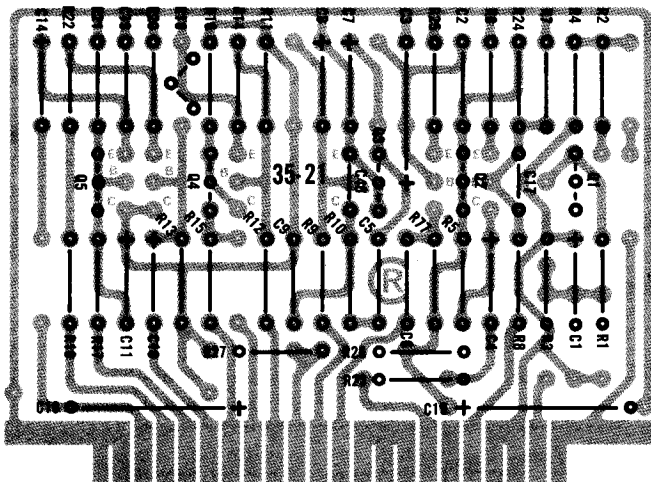
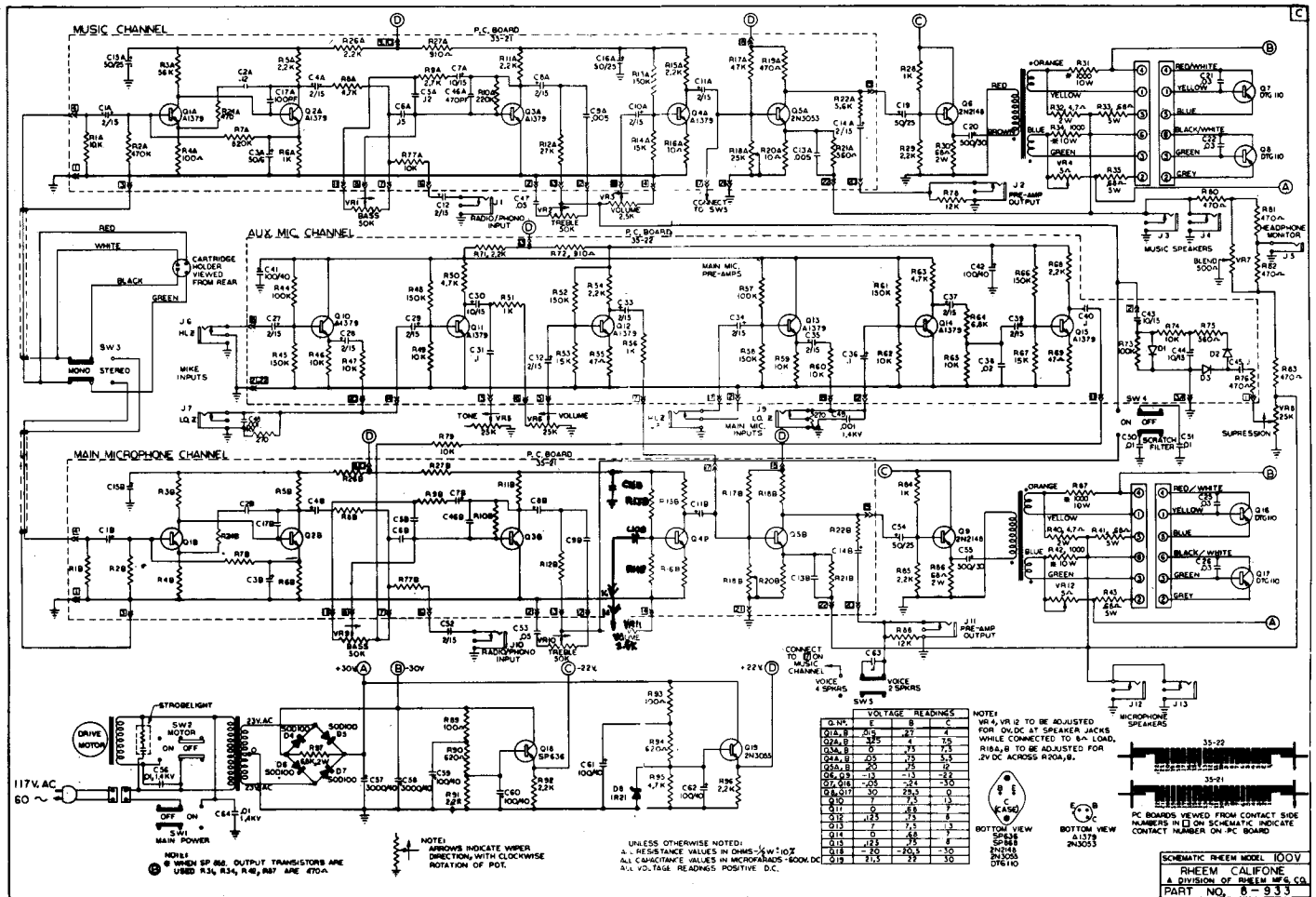
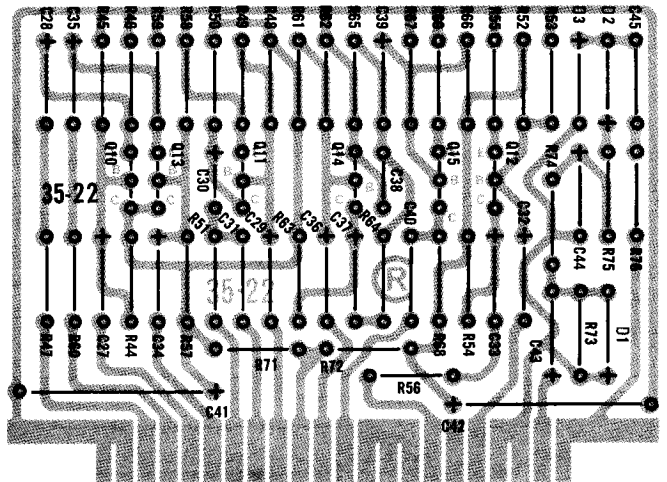




MODEL 100V



Music Amplifier Board



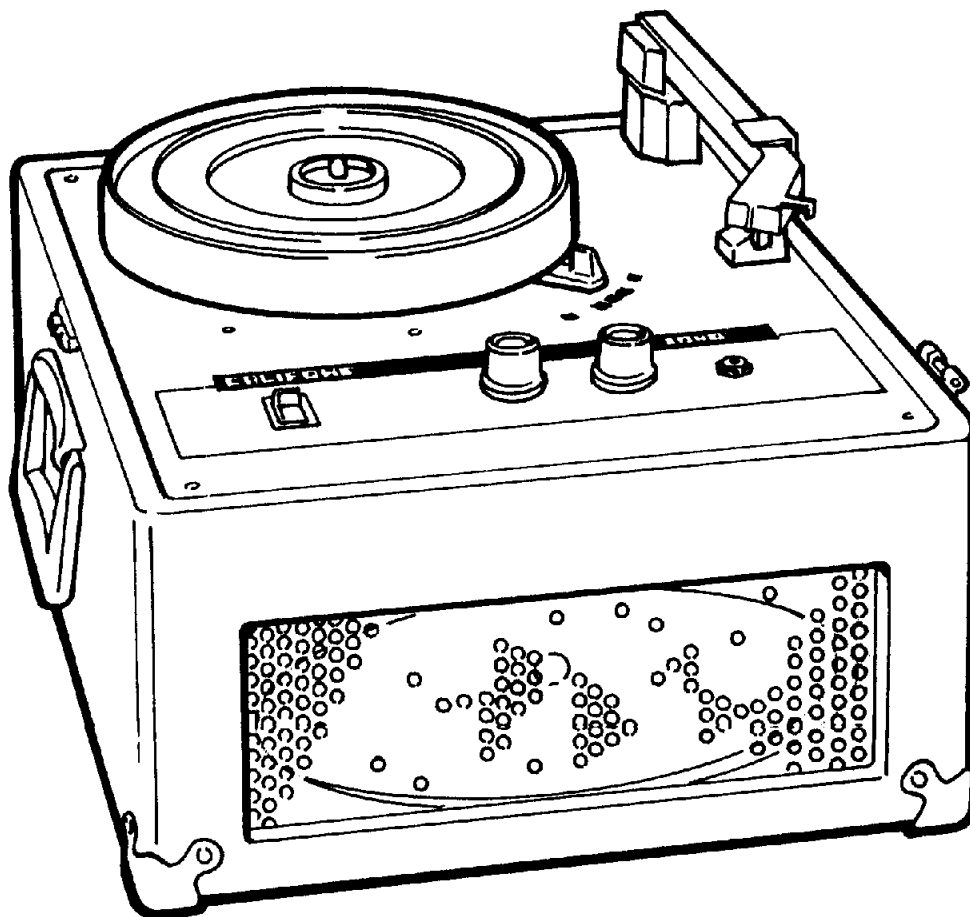
Voice Amplifier Board

1010AV

Service Manual

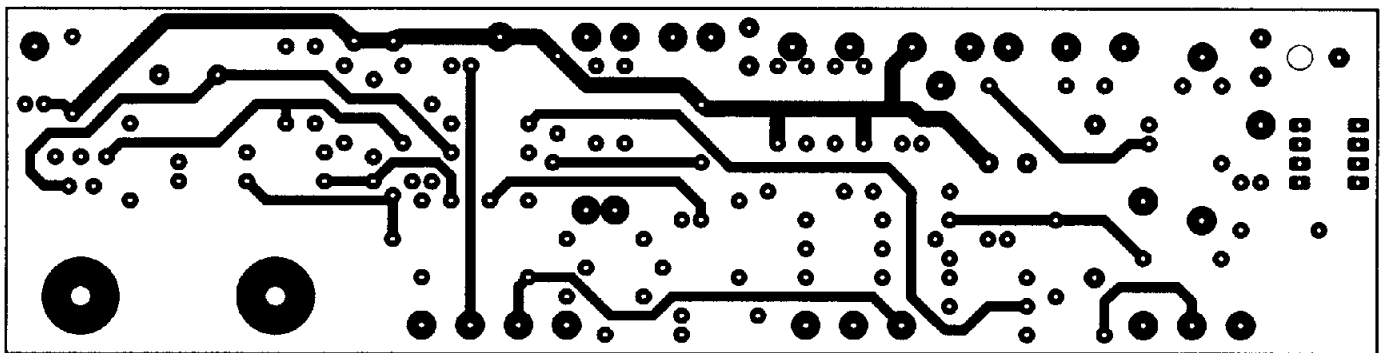
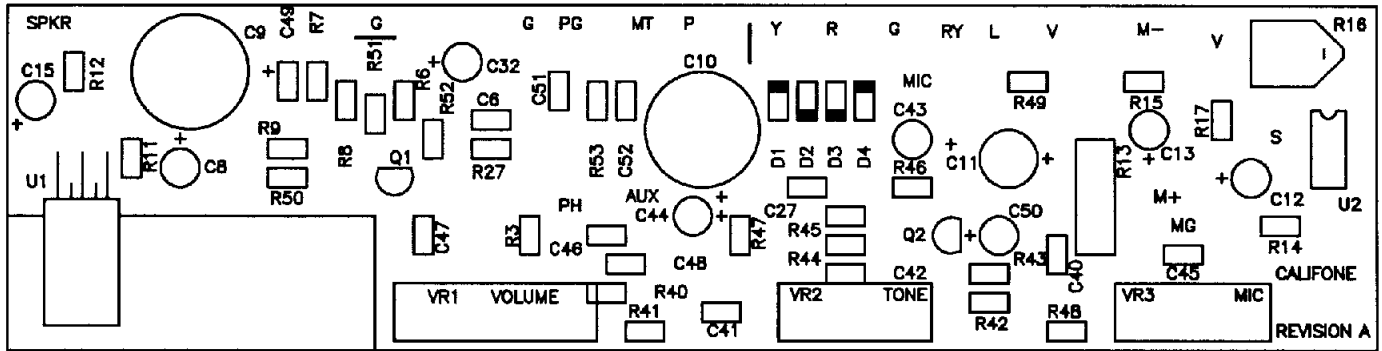
6 Watt Phonograph Tourne-disque, 6 Watt

92 SEP 23 PM 12:03
RECEIVED
NICE GENERAL OFFICE

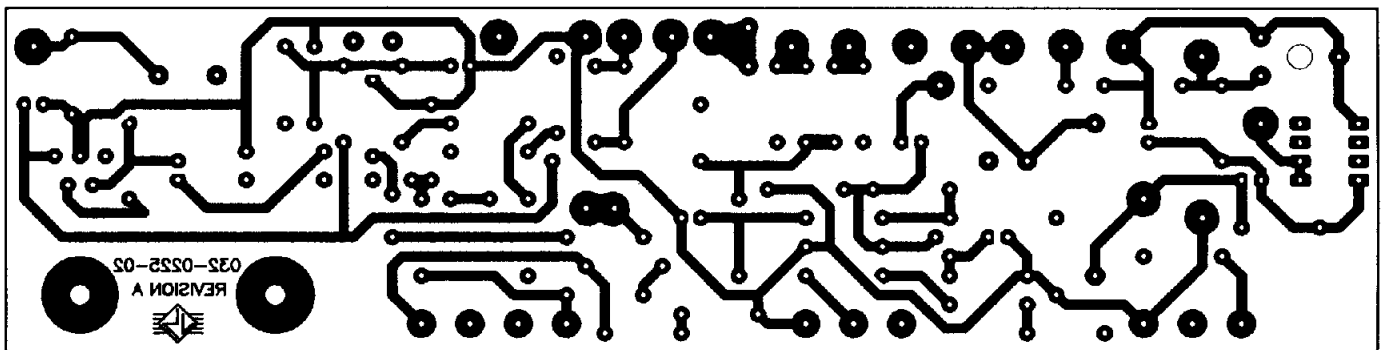


Modèle	1010AV
Puissance de Sortie	6 W Eff.: 10 W Mesure Maximale
Réponse ex Fréquence	50 Hz à 20,000 Hz
Rapport Signal sur Bruit	65 dB
Distorsion Harmonique	3% (DHT)
Platine	20cm de Diamètre, en Metal, Adapter de 45 t/min. Intégré
Vitesses	16,66; 33,33; 45; et 78 t/min.
Commandes	Pause/Lecture, Interrupteur-Commande de Volume, Tonalité
Prise de Sortie	1 Haut-Parleur/Casque d'Écoute
Alimentation	120 V, 60 Hz, 15W; Fil Selecteur à 3 brins
Haut-Parleur	10 cm x 25 cm, Intégré
Cellule de Lecture	Céramique, Compatible pour l'Écoute Stéréo
Dimensions	35,5 cm x 23,5 cm x 38 cm
Poids	8,6 Kg

Model	1010AV
Power Output	6 Watts RMS; 10 watts MOM
Amp Frequency Response	50 - 20,000 Hz
S/N Ratio	65dB
THD	3%
Turntable	8" Diameter, Built-in 45 RPM Adapter
Speeds	16 2/3, 33 1/3, 45 and 78 RPM
Controls	Pause/Play, Power On/Off/Volume, Tone
Output Jacks	1 Speaker/Headphone
Power Requirements	120V., 60Hz, 15 watts, 3-Wire UL Cord
Speaker	4" x 10" Built-in
Cartridge	Stereo Compatible Ceramic
Dimensions	13 7/8"W x 15"D x 9 1/4"H
Weight	19 lbs.



Component Side



Solder Side

Replacement Parts

Packing Assembly

- 032-0115-01 Packing Box
- 032-0142-00 Corners, Styro Packing
- 032-0194-00 Bag, Poly

Final Assembly

- 002-0392-00 Screw, #5 - 20 x 3/8"
- 006-0106-01 Holder, Mono Cartridge
- 030-0110-11 Turntable, 8" Metal w/Pad
- 013-1218-00 Switch, SPDT Rocker
- 019-0725-00 Spring, Detent Lever
- 019-0725-03 Spring, Deck Support
- 019-0726-00 Spring, Idler Arm
- 002-0341-00 Screw, #8-32 x 3/8" GIPXC
- 025-0124-02 Klipping, .25 ID .035 Thick
- 006-0213-01 Rest, Tonearm
- 025-0354-06 Knob, Plastic .94 Dia. 270°
- 025-0354-03 Knob, .94 Dia.
- 018-0529-00 Transformer, Power 120V
- 030-0138-11 Assy, Phono Drive
- 030-0139-01 Motor, DC
- 030-0140-04 Spindle, Turntable
- 029-7260-00 Jack, Closed Circuit
- 028-9002-00 Nut, Hex 3/8-32 x 1/2"
- 027-0324-00 Cord, AC 8 Feet
- 027-0409-00 Cord, AC SJT Type Canada
- 025-0205-00 Clamp, Nylon Cable
- 025-0311-00 Clamp, AC Cord Nylon CDN
- 025-0187-00 Retainer, E Ring .21 Groove
- 016-0163-00 Washer, .376 x .236 x .070
- 016-0110-00 Washer, CRS .312 x .144 x .030
- 016-0080-00 Washer, .620 x .385 x .024
- 016-0074-00 Washer, Lock 3/8
- 016-0224-01 Washer, Nylatron .19x.34x.016
- 016-0225-01 Washer, .315x.507x.026
- 007-0035-57 Cartridge, Astatic 87T
- 006-0214-00 Lock, Tonearm
- 006-0212-00 Base, Tonearm
- 006-0211-04 Sub/Assy, Mono Tonearm
- 002.319-03 Screw, #8AB x 1
- 025-0103-15 1/2A 3AG with Pigtailes
- 200-1410-00 Assy, Case Complete U.S.
- 200-1010-CDN Assy, Case Complete Canada
- 037-1764-00 Grill
- 029-7550-00 Connector, 2 Term with Leads
- 037-1727-00 Grill, Speaker
- 008-1622-00 Sheet, Instruction U.S.
- 008-1622-01 Sheet, Instruction Canada
- 034-1410-00 Assy, Case without Speaker
- 002-0233-00 Screw, #8AB x 5/8 SITXZ

- 003-0329-01 Foot, .075 x .037 Black
- 012-1001-00 Catch, Nickel Plated
- 012-1017-00 Corner, Nickel Plated
- 012-1085-00 Handle, Polypropylene
- 025-0405-00 Hinge, Nickel Plated Steel
- 009-0117-01 Wheel, Idler 2.18 Hole
- 009-0117-06 Assy, Idler Wheel and Support
- 030-0107-04 Pad, Turntable
- 030-0110-21 Adaptor, 45 RPM
- 030-0110-22 Clip, Retainer 45 RPM

Printed Circuit Board Components

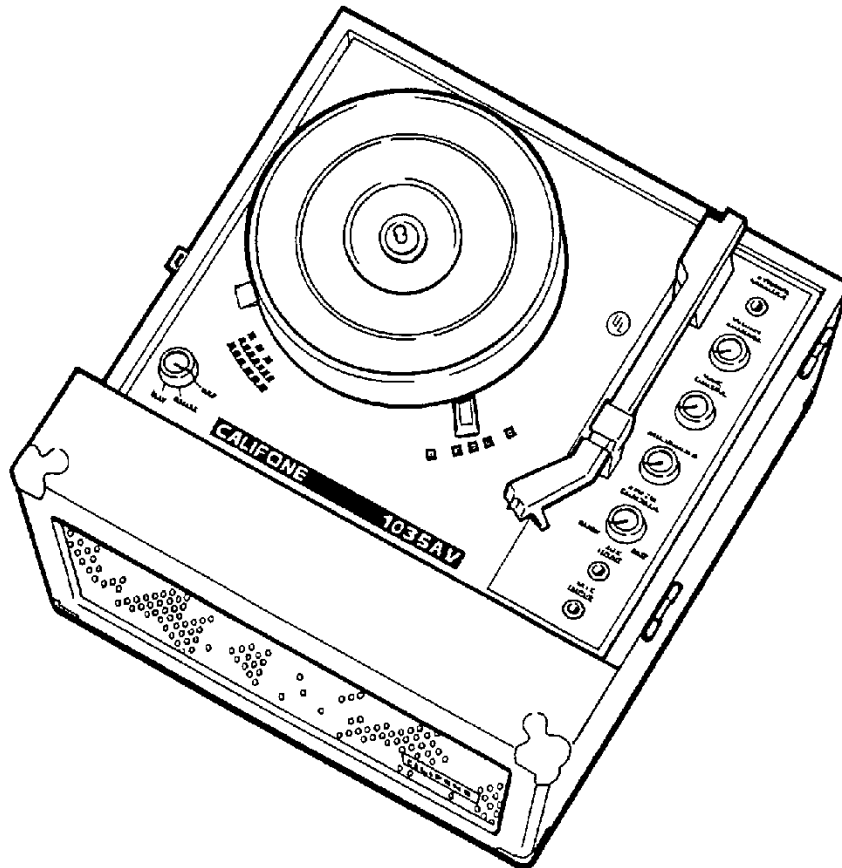
- 007-1410-00 Assy, PCB Complete
- 028-9069-00 Nut, Hex #4-40 .187
- 022-1756-01 Heatsink, PCB
- 017-0710-00 IC, TDA1154 Motor Control
- 017-0709-00 IC, TDA2030AH
- 017-0494-01 Transistor, 2N5210 NPN
- 017-0410-00 Diode, 1N4003 Rectifier
- 014-1051-00 Cap, .1UF 100V 10% Mylar
- 014-1031-00 Cap, .0068MF 10% Mylar
- 014-1025-00 Cap, 1000MF 50V ELE R/L
- 014-0964-00 Cap, 1000MF 35V -10 +30
- 014-0948-00 Cap, 2.2MF 50V ELE R/L
- 014-0942-00 Cap, 22MF 25V ELE R/L
- 014-0919-00 Cap, 100PF 50V Cer
- 014-0881-00 Cap, .001MF 50V 10% Cer
- 014-0865-00 Cap, 10MF 35V ELE R/L
- 014-0863-00 Cap, 1000MF 25V ELE R/L
- 014-0854-00 Cap, .1MF 100V 10% Poly
- 014-0834-00 Cap, .01MF 100V 10 Poly R/L
- 014-0829-00 Cap, .22MF 100V 10% Poly
- 013-1214-00 Pot, Trim 100 Ohm Cermet
- 013-1211-00 Pot, 500K Ohm .25 Dia Shaft
- 013-1165-00 Pot, 50K 40% Tap SPST Switch
- 005-1287-00 Resistor, 22 Ohm 5% 2W MOF
- 005-1286-00 Resistor, 100K Ohm 1% 1/4W
- 005-1141-00 Resistor, 3.3 Meg 1/4W 5% CF
- 005-1142-00 Resistor, 3.6 Meg 1/4W 5% CF
- 005-1113-00 Resistor, 220K 1/4W 5% CF
- 005-1109-00 Resistor, 150K 1/4W 5% CF
- 005-1091-00 Resistor, 27K 1/4W 5% CF
- 005-1081-00 Resistor, 10K 1/4W 5% CF
- 005-1069-00 Resistor, 3.3K 1/4W 5% CF
- 005-1067-00 Resistor, 2.7K 1/4W 5% CF
- 005-1060-00 Resistor, 1.3K 1/4W 5% CF
- 005-1040-00 Resistor, 200 Ohm 1/4W 5% CF
- 005-1033-00 Resistor, 100 Ohm 1/4W 5% CF
- 005-1031-00 Resistor, 82 Ohm 1/4W 5% CF
- 005-1005-00 Resistor, 6.8 Ohm 1/4W 5% CF
- 002-0368-00 Screw, #4-40 x 1/2" MIFNN

For additional information call Califone Customer Service at 1-800-722-0500 or write to:
Califone International, Inc., 21300 Superior Street, Chatsworth, CA 91311

1030AV/1035AV

Service Manual

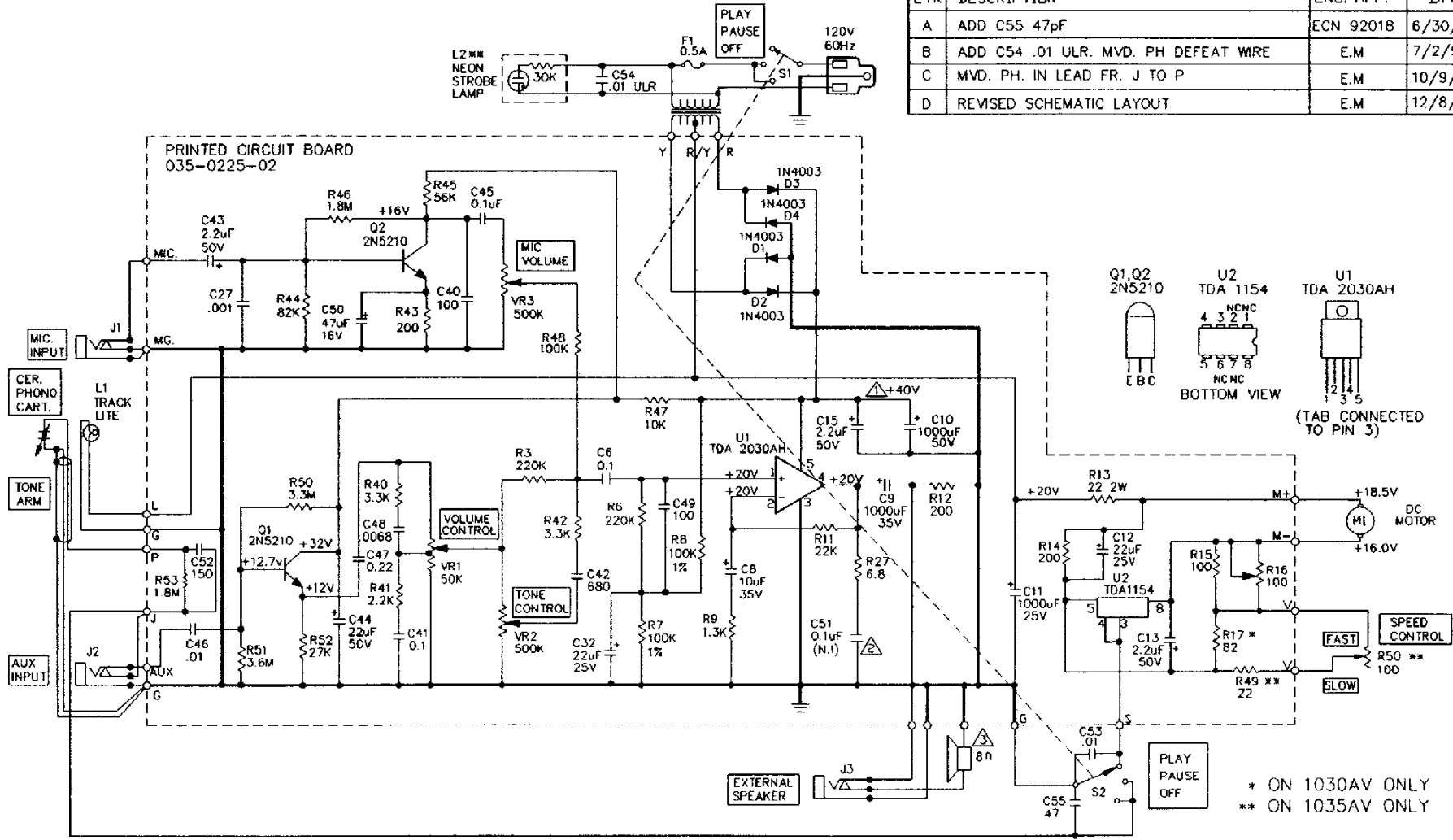
10W, Monaural Phonographs Tourne-disques, 10W



Modèle	1030AV	1035AV
Puissance de sortie	10 W Eff.; 15 W Mesure Maximale	
Réponse en fréquence de l'amplificateur	50 - 20,000 Hz	
Rapport signal sur bruit	65dB	
Distortion harmonique	<0.30%	
Platine	20 cm de diamètre, adaptateur de t/min. intégré	
Vitesses	16 2/3, 33 1/3, 45 and 78 RPM	
Vitesse Variable	N/A	+15, -15%
Commandes	Arrêt/Pause/Lecture, Tonalité, Volume, Mic Volume	Arrêt/Pause/Lecture, Tonalité, Vol. Mic Vol, Vitesse Variable
Prises d'entrée	Auxiliaire, Micro	
Prises de sortie	Haut-parleur/casques d'écoute	
Allimentation	120V c.a., 60Hz, 25 W	
Speaker	15cm x 23cm intégré	
Celle de Lecture	Compatible pour l'écoute stéréo	
Dimensions	37,5 cm x 40,0 cm x 20,3 cm	
Weight	8,6 kg	

Model	1030AV	1035AV
Power Output	10 Watts Continuous, 15 Watts Momentary	
Amp Freq. Response	50 - 20,000 Hz	
S/N Ratio	65dB Minimum	
THD	Less than 0.30%	
Turntable	8" Dia. metal, Built-in 45RPM Adapter	
Speeds	16 2/3, 33 1/3, 45 and 78 RPM	
Variable Speed	N/A	+15, -15%
Controls	Off/Pause/Play, Tone, Volume, Mic Volume	Off/Pause/Play, Tone, Volume, Mic Volume, Variable Speed
Input Jacks	Microphone, 1 Auxiliary	
Output Jacks	External Speaker/Headphone	
Power Requirements	120V., 60Hz, 25 watts	
Speaker	6" x 9" Internal	
Cartridge	Stereo Compatible Sapphire	
Dimensions	14 3/4" x 15 3/4" x 8"	
Weight	19 Lbs.	

REVISIONS			
LTR	DESCRIPTION	ENG. APP.	DATE
A	ADD C55 47pF	ECN 92018	6/30/92
B	ADD C54 .01 ULR. MVD. PH DEFEAT WIRE	E.M	7/2/92
C	MVD. PH. IN LEAD FR. J TO P	E.M	10/9/92
D	REVISED SCHEMATIC LAYOUT	E.M	12/8/92



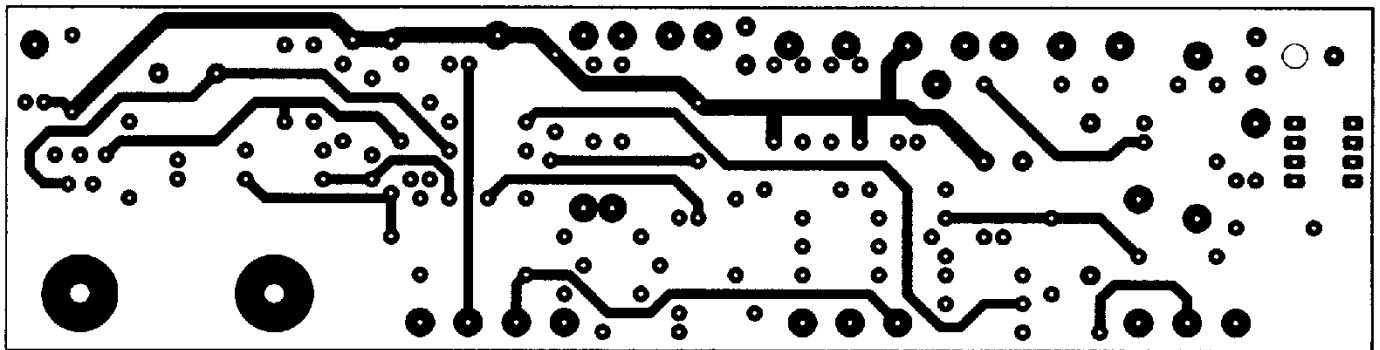
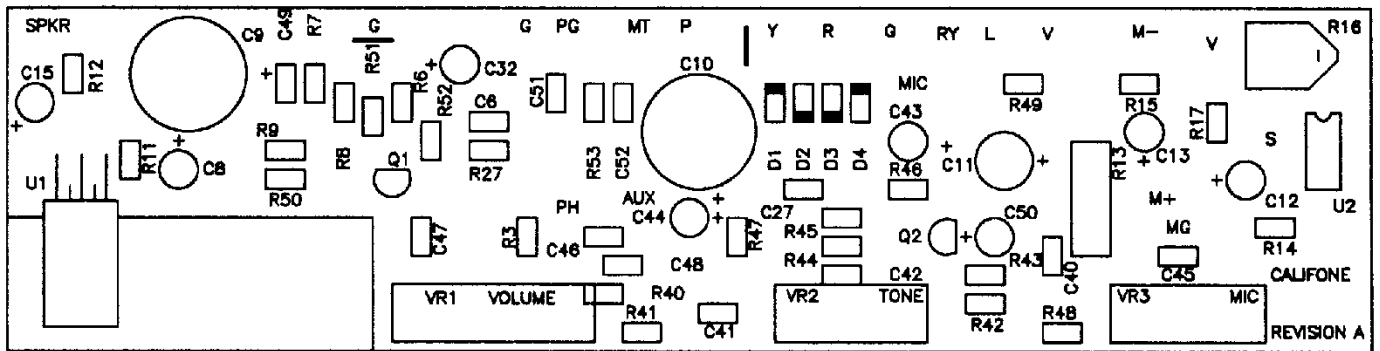
PC. BD. ASSY: 007-0462-T0 MODEL 1030AV
007-0462-T1 MODEL 1035AV

NOTES:

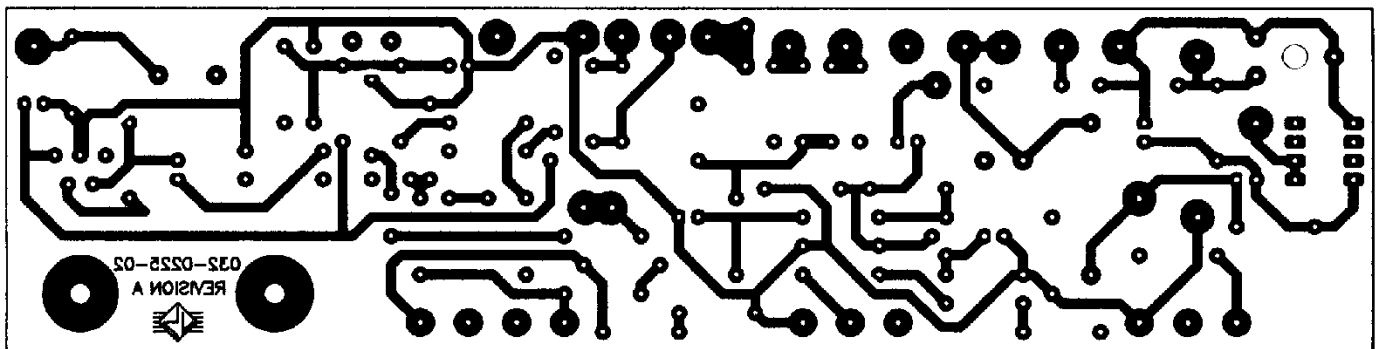
- ⚠ DC VOLTAGE MEASURED W/O PHONO INPUT SIGNAL
- ⚠ N.I.: NON INDUCTIVE
- ⚠ MOUNTED IN CASE ASSEMBLY.

CALIFONE INTERNATIONAL INC. 21300 SUPERIOR ST. CHASTWORTH, CA 91311 (818) 407-2400			
TITLE MODEL 1030/1035AV SCHEMATIC DIAGRAM			
DRAWN BY: JAVIER FABIAN	DATE: 2/21/92	APPROVAL BY: E.M	DATE: 3/23/92
TOLERANCES UNLESS OTHERWISE NOTED.	METRIC .xxx +/- 0.05 .xx +/- 0.10 .x +/- 0.25	INCHES. .xxx +/- .002 .xx +/- .005 .x +/- .010	
SCALE	DRAWING NO. 008-1623-01	REV. 0	NO. 0

DWG. 008-1623-01
SCHM



Component Side



Solder Side

Replacement Parts

Packing Assembly

- 032-0115-02 Packing Box
- 032-0142-00 Corners, Styro Packing
- 032-0194-00 Bag, Poly

Final Assembly

- 002-0233-00 Screw, #8AB x 5/8 (Feet)
- 002-0319-03 Screw, Deck (Support)
- 002-0341-00 Screw, #8-32 x 3/8 THD Form
- 002-0392-00 Screw, #5 - 20 x 3/8"
- 003-0329-01 Foot, .075 x .037 Black
- 006-0106-01 Holder, Mono Cartridge
- 006-0214-00 Lock, Tonearm
- 006-0213-01 Rest, Tonearm
- 006-0212-00 Base, Tonearm
- 006-0211-04 Sub/Assy, Mono Tonearm
- 007-0035-57 Cartridge, Astatic 87T
- 008-1246-01 Disc, Strobe 50Hz (1035AV)
- 008-1246-02 Disc, Strobe 60Hz (1035AV)
- 008-1622-02 Sheet, Instruction U.S. and Canada
- 009-0117-01 Wheel, Idler 2.18 Hole
- 009-0117-06 Assy, Idler Wheel and Support
- 012-1001-00 Catch, Nickel Plated
- 012-1017-00 Corner, Nickel Plated
- 012-1085-00 Handle, Polypropylene
- 013-1204-01 Pot, 1K Ohm (1035AV)
- 013-1205-02 Switch, 4P 3T Rot, CTS
- 016-0080-00 Washer, .620 x .385 x .024 (1035AV)
- 016-0074-00 Washer, Lock 3/8 (1035AV)
- 016-0110-00 Washer, CRS .312 x .144 x .030
- 016-0233-00 Washer, .42D x .136D x .12 Thk
- 018-0458-00 Transformer, Power 120V
- 018-0458-03 Transformer, Power 220V
- 019-0634-01 Spring, Brake 1/4 x 1-1/16
- 019-0688-01 Switch, Brake Rod
- 019-0692-00 Rod, Idler
- 019-0725-04 Spring, Deck without Spiral
- 022-1124-00 Arm, Brake
- 022-1766-00 Mirror, Aluminum (1035AV)
- 024-0512-03 Nut, Push fpr Lamp
- 024-0529-01 Lamp, Neon (1035AV)
- 025-0103-15 1/2Amp 3AG with Pigtails
- 025-0124-02 Klipping, .25 ID .035 Thick
- 025-0187-00 Retainer, E Ring .21 Groove
- 025-0205-00 Clamp, Nylon Cable
- 025-0353-02 Knob, 1.1D (Power)
- 025-0354-04 Knob, Plastic .94D (Mic/Tone)
- 025-0354-06 Knob, .94D (Volume)
- 025-0405-00 Hinge, Nickel Plated Steel
- 025-0480-00 Fuse, 1/4Amp, 250V with Pigtails
- 025-0483-00 Clamp, Nylon Cable 5/16D
- 026-0193-01 Compartment, Cord Storage
- 027-0324-00 Cord, AC 8 Feet
- 027-0409-00 Cord, AC SJT Type Canada
- 028-9002-00 Nut, Hex 3/8-32 x 1/2"
- 029-7260-00 Jack, Closed Circuit (Speaker)
- 029-7261-00 Jack, Open Circuit (Auxiliary)
- 029-7552-00 Jack, Closed Circuit Insulated (Mic)
- 030-0107-04 Pad, Turntable
- 030-0110-11 Turntable, 8" Metal w/Pad
- 030-0110-21 Adaptor, 45 RPM

- 030-0110-22 Clip, Retainer 45 RPM
- 030-0138-11 Assy, Phono Drive
- 030-0139-01 Motor, DC
- 030-0140-04 Spindle, Turntable
- 037-1727-02 Grill, Speaker
- 037-1764-01 Grill

Printed Circuit Board Components

- 002-0368-00 Screw, #4-40 x 1/2" MIFNN
- 005-1005-00 Resistor, 6.8 Ohm 1/4W 5% CF
- 005-1017-00 Resistor, 22 Ohm 1/4W 5% CF (1035AV)
- 005-1031-00 Resistor, 82 Ohm 1/4W 5% CF (1030AV)
- 005-1033-00 Resistor, 100 Ohm 1/4W 5% CF
- 005-1040-00 Resistor, 200 Ohm 1/4W 5% CF
- 005-1060-00 Resistor, 1.3K 1/4W 5% CF
- 005-1065-00 Resistor, 2.2K 1/4W 5% CF
- 005-1069-00 Resistor, 3.3K 1/4W 5% CF
- 005-1081-00 Resistor, 10K 1/4W 5% CF
- 005-1089-00 Resistor, 22K 1/4W 5% CF
- 005-1091-00 Resistor, 27K 1/4W 5% CF
- 005-1099-00 Resistor, 56K 1/4W 5% CF
- 005-1103-00 Resistor, 82K 1/4W 5% CF
- 005-1105-00 Resistor, 100K 1/4W 5% CF
- 005-1113-00 Resistor, 220K 1/4W 5% CF
- 005-1135-00 Resistor, 1.8M 1/4W 5% CF
- 005-1141-00 Resistor, 3.3 Meg 1/4W 5% CF
- 005-1142-00 Resistor, 3.6 Meg 1/4W 5% CF
- 005-1286-00 Resistor, 100K Ohm 1% 1/4W
- 005-1287-00 Resistor, 22 Ohm 5% 2W 5% CF
- 007-0462-00 Assy, PCB Complete (1030AV)
- 007-0462-T0 Assy, PCB Complete Canadian (1030AV)
- 007-0462-01 Assy, PCB Complete (1035AV)
- 007-0462-T1 Assy, PCB Complete Canadian (1035AV)
- 010-0065-01 Lug, Spade .205 PC Mount .020 Thk
- 013-1211-00 Pot, 500K Ohm .25 Dia Shaft
- 013-1165-00 Pot, 50K 40% Tap SPST Switch
- 013-1214-00 Pot, Trim 100 Ohm Cermet
- 014-0829-00 Cap, .22MF 100V 10% Poly
- 014-0834-00 Cap, .01MF 100V 10 Poly R/L
- 014-0854-00 Cap, .1MF 100V 10% Poly
- 014-0863-00 Cap, 1000MF 25V ELE R/L
- 014-0865-00 Cap, 10MF 35V ELE R/L
- 014-0881-00 Cap, .001MF 50V 10% Cer
- 014-0890-00 Cap, 47UF 16V Lytic
- 014-0919-00 Cap, 100PF 50V Cer
- 014-0942-00 Cap, 22MF 25V ELE R/L
- 014-0948-00 Cap, 2.2MF 50V ELE R/L
- 014-0955-00 Cap, 680PF 50V Cer
- 014-0964-00 Cap, 1000MF 35V -10 +30
- 014-0977-00 Cap, 10PF 50V Lytic R/L
- 014-1025-00 Cap, 1000MF 50V ELE R/L
- 014-1031-00 Cap, .0068MF 10% Mylar
- 014-1051-00 Cap, .1UF 100V 10% Mylar
- 014-1056-00 Cap, 22UF 50V Lytic R/L
- 017-0410-00 Diode, 1N4003 Rectifier
- 017-0494-01 Transistor, 2N5210 NPN
- 017-0709-00 IC, TDA2030AH
- 017-0710-00 IC, TDA1154 Motor Control
- 022-1756-01 Heatsink, PCB
- 028-9069-00 Nut, Hex #4-40 .187
- 035-0225-02 PCB, No Comp 1030AV/I.C. 2 sides

For additional information call Califone Customer Service at 1-800-722-0500 or write to: Califone International, Inc., 21300 Superior Street, Chatsworth, CA 91311. In Canada: Califone Industries, Ltd., 1305 Odlum Dr., Vancouver, B.C. V5L 3M1 604-254-5148