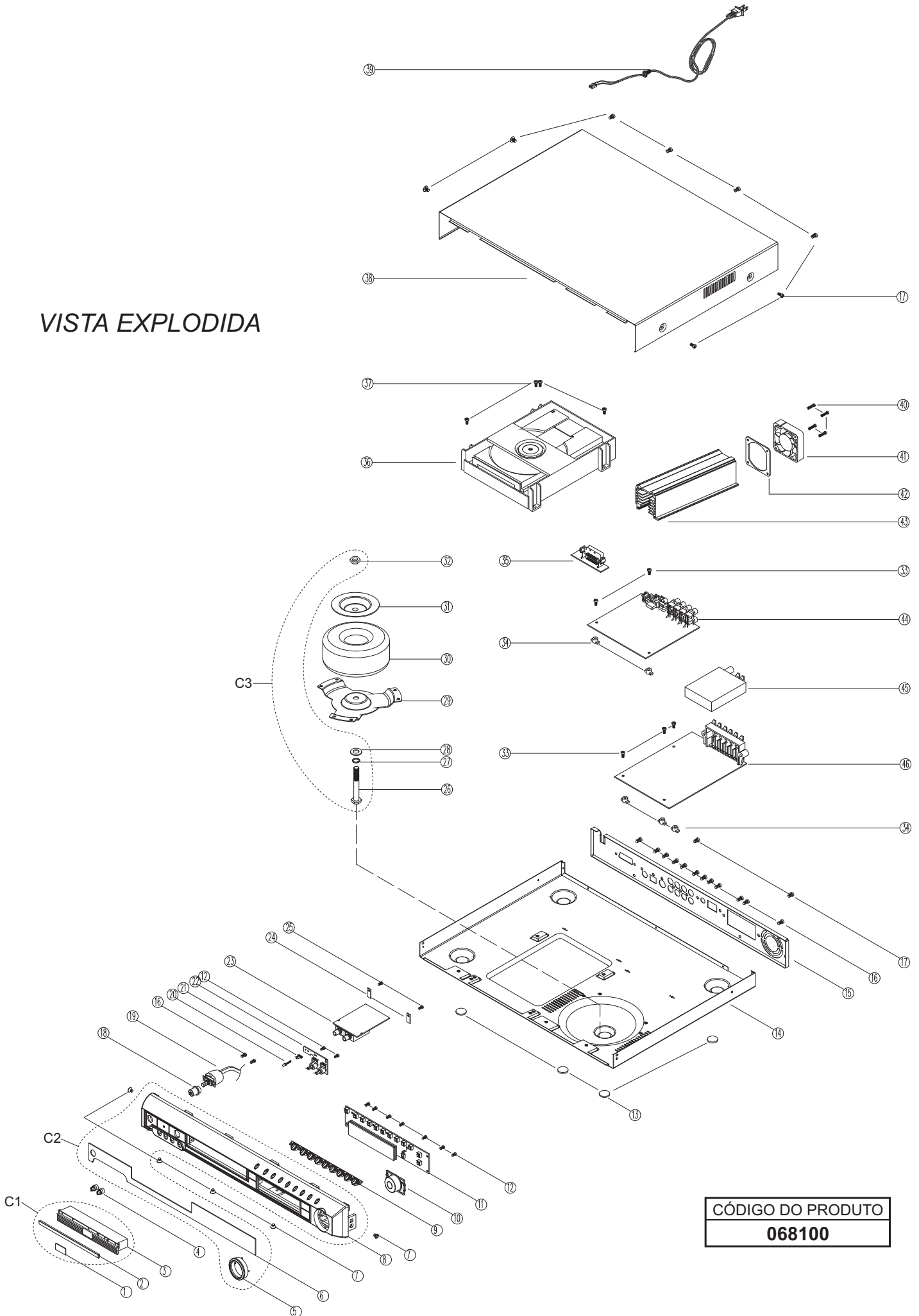


**B
S
I

9
0
0
0**

VISTA EXPLODIDA



CÓDIGO DO PRODUTO
068100

HOME THEATER BSI-9000

BRITANIA
ASSISTÊNCIA TÉCNICA

ITENS DA VISTA EXPLODIDA

Nº	DESCRIÇÃO	CÓDIGO
4	KNobb MICROFONE/VOLUME	702662
9	BOTÕES DVD	702664
10	BOTÃO VOLUME	702665
11	PCI DISPLAY/TECLADO	702652
14	GABINETE INFERIOR	702666
15	GABINETE TRASEIRO	702667
18	BOTÃO CHAVE MASTER	702668
19	CHAVE MASTER KDC-04	701666
22	PCI CONTROLE MICROFONE	702655
23	PCI KAROKÊ	702653
29	BASE FIXAÇÃO TRANSFORMADOR	702671
30	TRANSFORMADOR TOROIDAL 127/220V	702657
31	DISCO FIXAÇÃO TRANSFORMADOR	702672
35	PCI VIDEO COMPONENTE	702654
36	MECANISMO DVD KHM280AA	701745
38	GABINETE SUPERIOR	702674
39	CORDÃO ELETRICO DVD PADRÃO	701613
41	COOLER 12V/0.08A	702659
43	DISSIPADOR DE CALOR	702658
44	PCI PRINCIPAL DH803P-ODE	702650
45	MODULO RADIO AM/FM COMPLETO	702656
46	PCI POTENCIA HTR901P-ON8	702651
C1	PROTEÇÃO GAVETA	702661
C2	GABINETE FRONTAL	702663
C3	CONJUNTO M-6 PARAUSO/ARUELA/PORCA	702670

NOTA:

Dos itens no desenho da página anterior, somente aqueles que possuem códigos relacionados na tabela acima serão fornecidos.

DEMAIS COMPONENTES FORNECIDOS

DESCRIÇÃO	CÓDIGO	LOCALIZAÇÃO
UNIDADE ÓTICA KHM2800AAA	701756	
DISCO ISOLAÇÃO TRANSFORMADOR	702673	
CONTROLE REMOTO	702676	
DISPLAY	702677	
FLAT CABLE13VIAS, 1,2 X 9CM	702678	
FLAT CABLE26VIAS, 1,3 X 24CM	702679	
CX ACUST. COMPLETA FRONTAL	702680	
CX ACUST. COMPLETA TRASEIRA	702681	
CX ACUST. COMPLETA CENTRAL	702682	
CX ACUST. COMPLETA WOOFER	702683	
ALTO FALANTE 6R/25W BLINDADO	702684	
ALTO FALANTE WOOFER 4R/40W	702685	
CONEC. CX ACUST PRETO/CINZA	702686	
CONEC. CX ACUST PRETO/VERMELHO	702687	
CONEC. CX ACUST PRETO/AZUL	702688	
GAB. FRONTAL CX SATELITE	702689	
GAB. FRONTAL CX CENTRAL	702690	
GAB. TRASEIRO CX SATELITE	702691	
GAB. TRASEIRO CX CENTRAL	702692	
GAB. CX ACUST. SUPER WOOFER	702693	
TELA DO WOOFER	702694	
ANTENA AM	702699	
ANTENA FM	702700	
CI G960T63U	701634	U1,U2
CI HCU 04	701400	U3
CI MEMORIA ESMT M12L16161A	702712	U6,U7
CI MEMORIA MX 26LV800	701644	U9
CI HT24LCO2	701643	U10
CI MT1379E	702508	U4
CI WM8746	702713	U12
CI RC4558	701907	U14, 15, 16
CI AM5868/ BA 5954FP	701640	U18
CI MT1336	701635	U17
CI LA1824(RADIO)	701101	
CI LC72131(RADIO)	702714	
CI PT2323-S	702715	IC1
CI RC4558	701907	IC2,3,4,IC405,406,407
CI KIA7805/L7805	702716	IC5,15,16
CI KA7912/H7912	702717	IC11
CI PT2322-S	702718	IC12
CI TDA7269A	702719	IC501,502
CI TDA7265	702720	IC503
CI H7812	702721	IC901
CI P9428XZZ-SAMSUNG	702722	MU1
CI HT24LCO2	701643	MU2
CI HCU 04	701400	U2
CI 74HC4052	702723	U3
TRANSISTOR TIP 42C	702703	Q904
CRISTAL 4MHZ	702704	X1
DIODO IN5402	702705	
PONTE RETIFICADORA KBU 806G	702706	D7
CAPACITOR ELET. 6800UF/25V	702707	c905,906
BARRA CONTATOS SAIDA CX ACUST.	702708	
CI PT6311(DISPLAY)	702724	
CI HT8970	702725	U2
CI 4580	702726	U1
JACK 6,3MM MICROFONE	702709	
RESISTOR 2,5R/5W (CX ACUST.)	702710	
RESISTOR 4,7R/1W	702711	R516,517,518,519,520,521

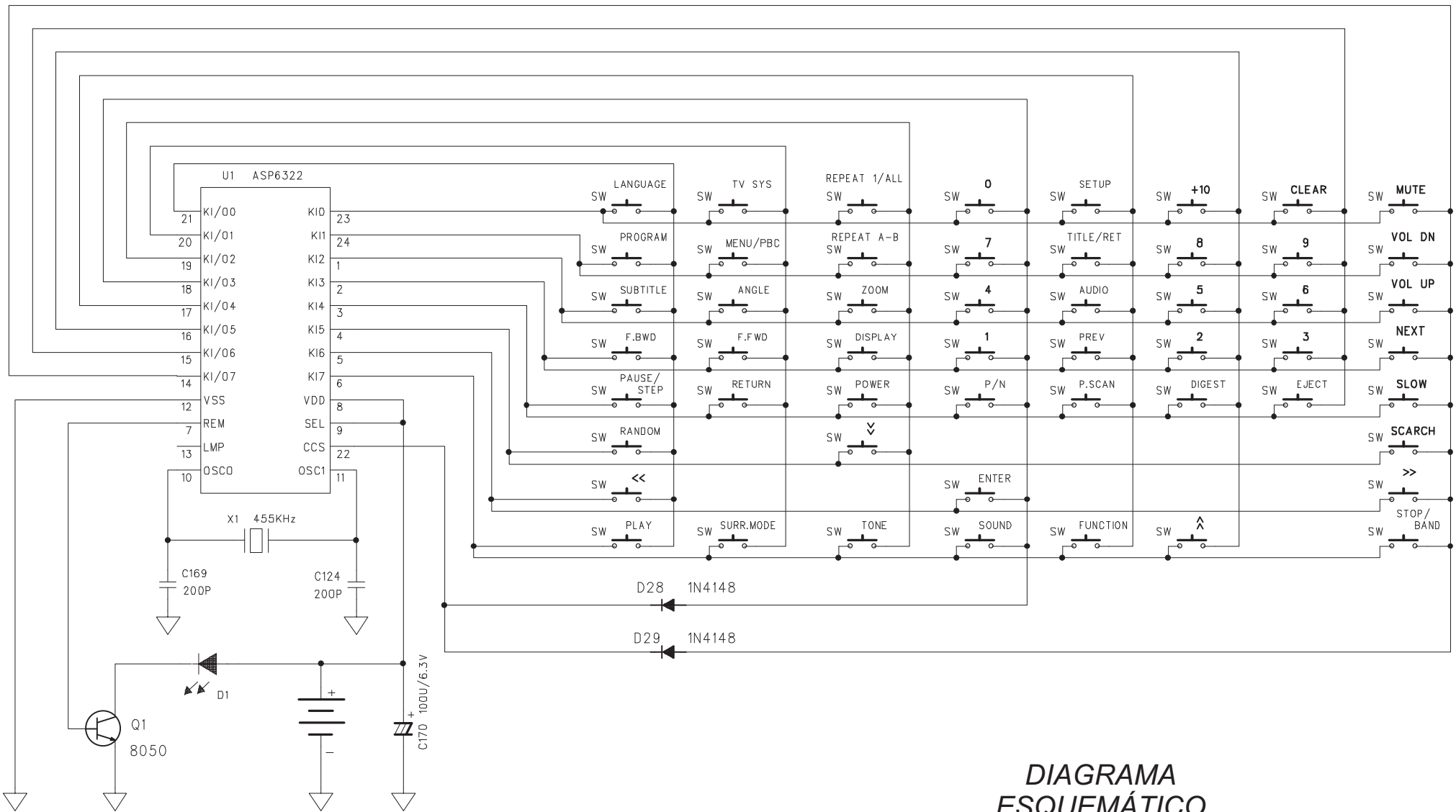


DIAGRAMA
ESQUEMÁTICO
CONTROLE REMOTO

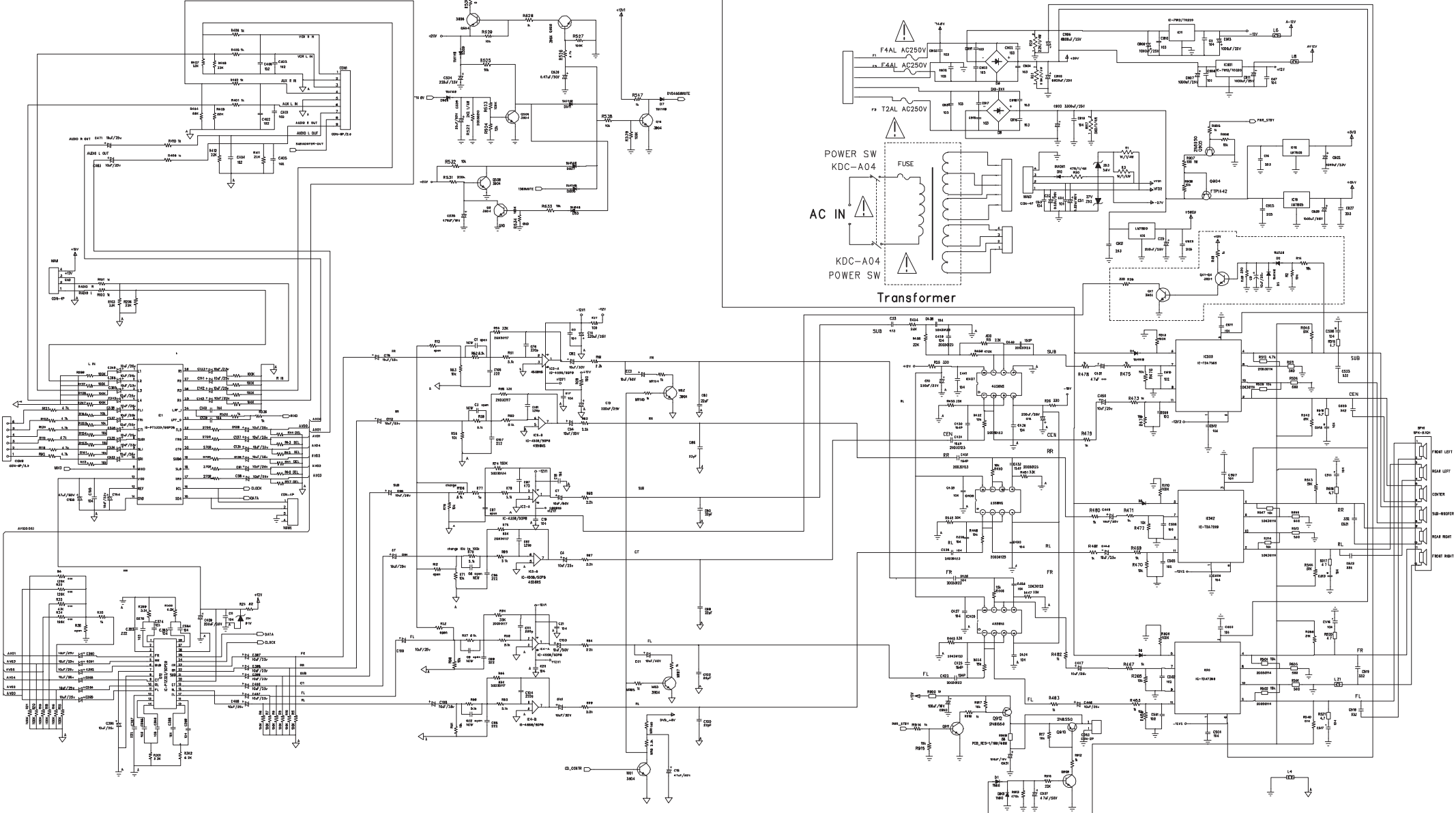
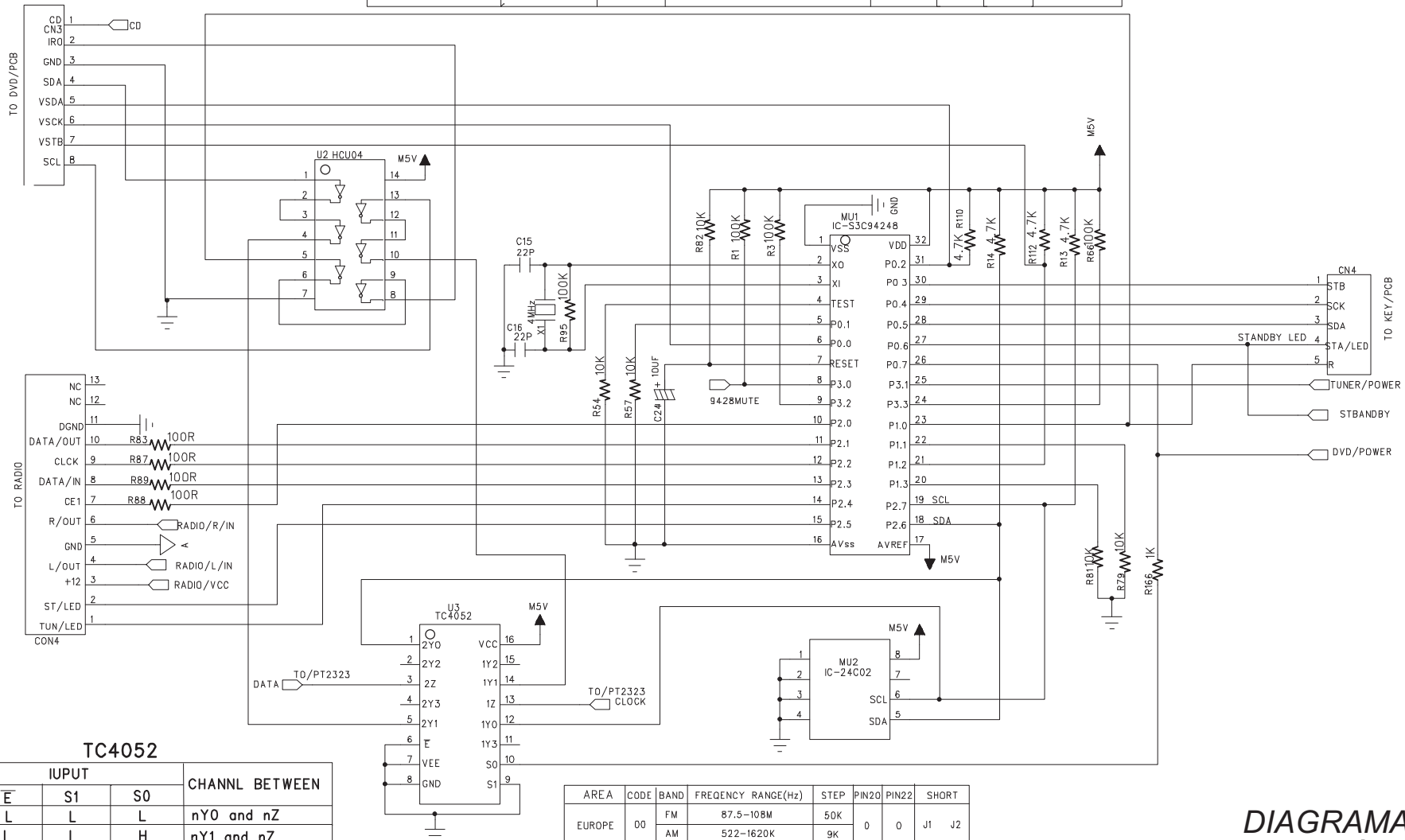


DIAGRAMA
ESQUEMÁTICO
FONTE + PCI POTÊNCIA

HOME THEATER BSI-9000

BRITANIA
ASSISTÊNCIA TÉCNICA

AREA	CODE	BAND	FREQUENCY RANGE(HZ)	STEP	PIN20	PIN22	SHORT
JAPEN	00	FM	76-108M	100K	0	0	J1 J2
		AM	522-1629K	9K	0	0	J1 J2



TC4052

IUPUT			CHANNL BETWEEN
E	S1	S0	
L	L	L	nY0 and nZ
L	L	H	nY1 and nZ
L	H	L	nY2 and nZ
L	H	H	nY3 and nZ
H	X	X	none

H=HIGH Voltage level
L=LOW Voltage level X=don't care

AREA	CODE	BAND	FREQUENCY RANGE(Hz)	STEP	PIN20	PIN22	SHORT
EUROPE	00	FM	87.5-108M	50K	0	0	J1 J2
		AM	522-1620K	9K	0	0	J1 J2
U.S.A	01	FM	87.5-108M	100K	0	1	J1 J4
		AM	520-1710K	10K	0	1	J1 J4
LATIN AMERICA	10	FM	87.5-108M	100K	1	0	J3 J2
		AM	520-1620K	5K	1	0	J3 J2
AUSTRLIA& MIDDLEEAST	11	FM	87.5-108M	100K	1	1	J3 J4
		AM	531-1602K	9K	1	1	J3 J4

DIAGRAMA
ESQUEMÁTICO
PCI POTÊNCIA

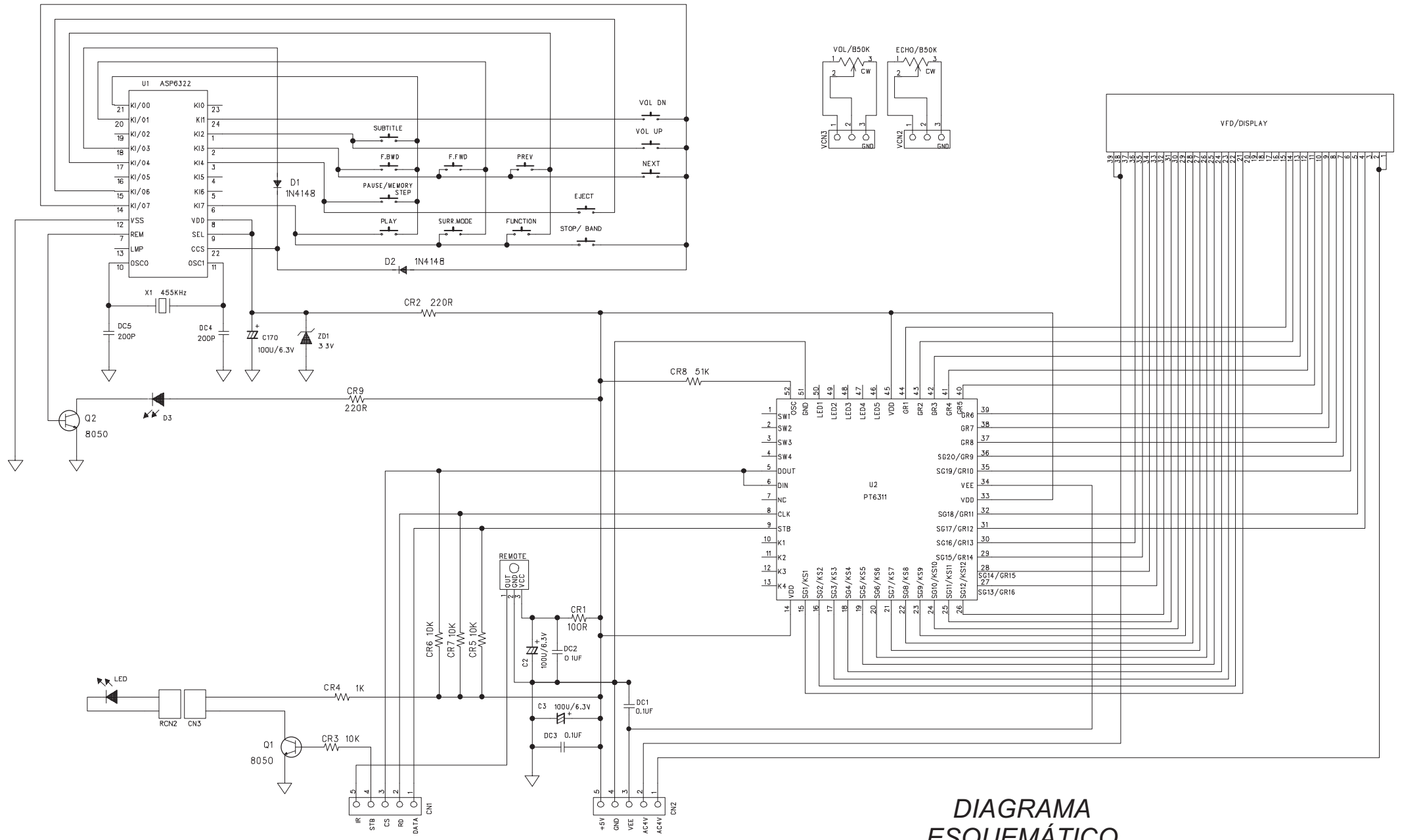
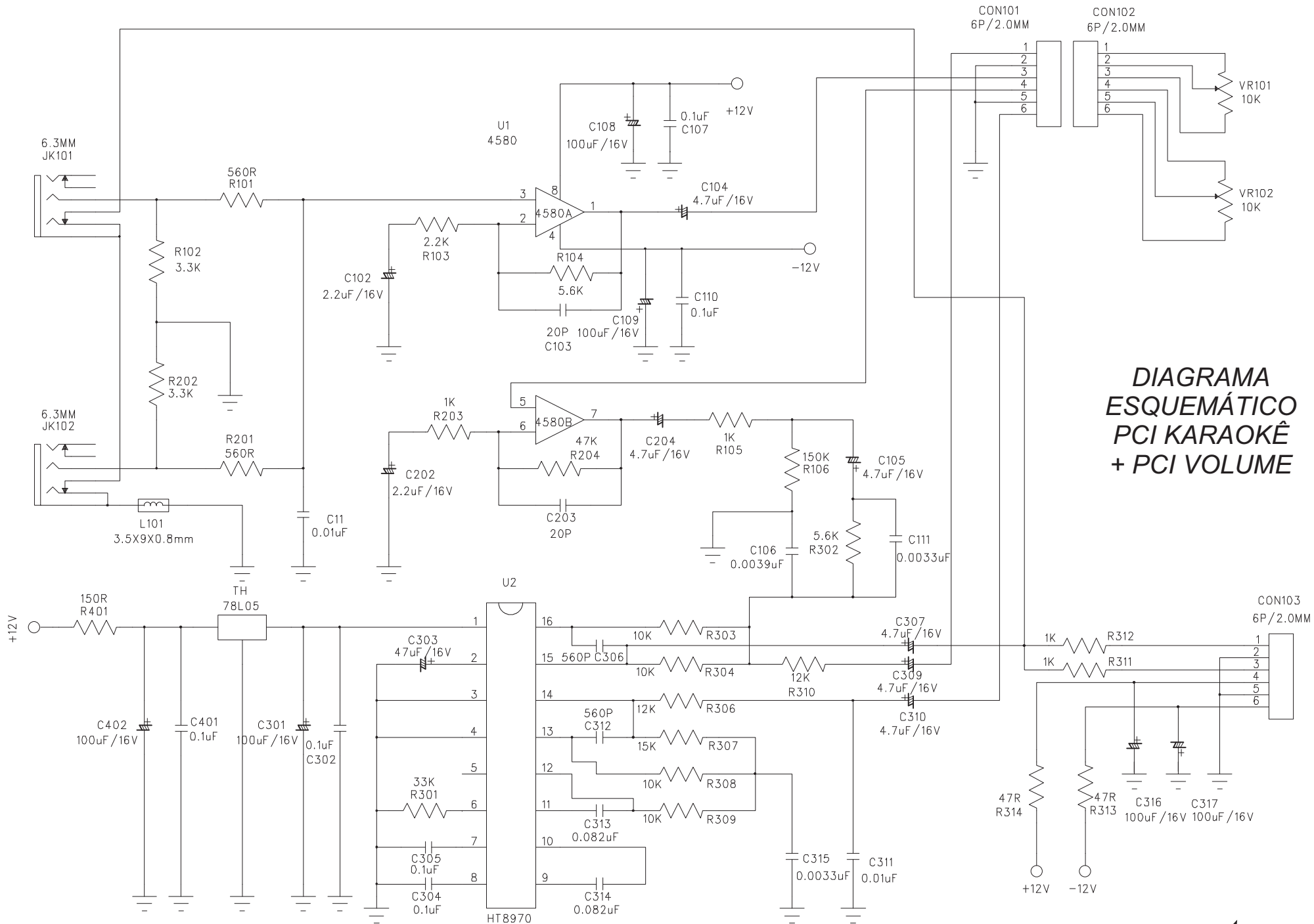


DIAGRAMA
ESQUEMÁTICO
PCI DISPLAY



**DIAGRAMA
ESQUEMÁTICO
PCI KAROKÊ
+ PCI VOLUME**

COMMON79_KHM280_V1

- 1 INDEX & POWER, RESET
- 2 RF / SERVO & MPEG - MT1336E / MT1379E
- 3 MEMORY - SDRAM, FLASH/EEPROM
- 4 AUDIO - WM8720&WM8746
- 5 AV FILTER.

NAME	TYPE	DEVICE
VCC	Digital 5V	SUPPLY
RVCC	Servo 5V	MT1336E
AVCC	RF 5V	PICKUP HEADER
V33	Digital 3.3V	SDRAM, Flash, VideoDAC
DV33	Digital 3.3V	MT1379E
AV33	Servo 3.3V	MT1379E
V25	Digital 2.5V	MT1379E
+5VA	Audio 5V	Audio DAC
+3VV	Video 3.3V	Video DAC
+5VV	Video 5V	Video DAC
+12V	Audio 12V	Audio filter

NAME	TYPE
GND	Digital Ground
SGND	Servo Analog Ground
AGND	Audio Ground
VGND	Video Ground

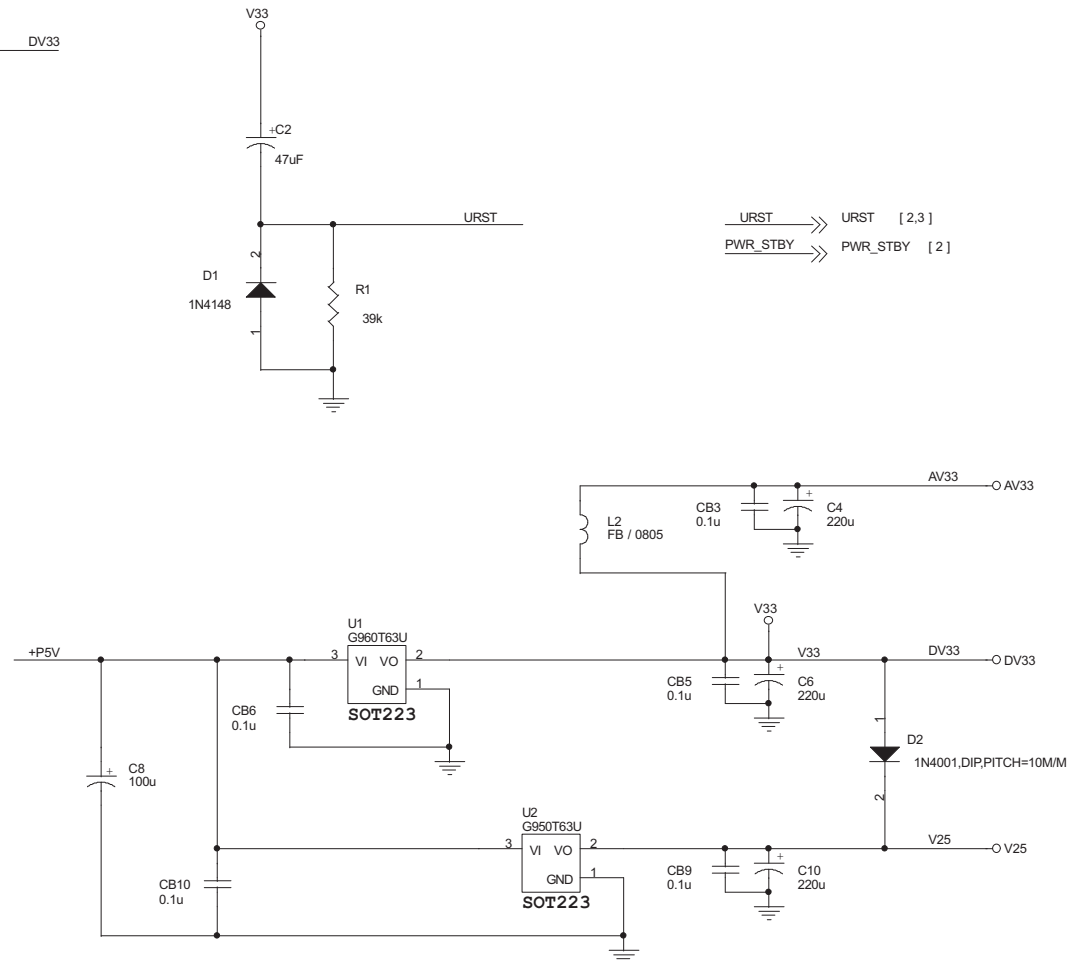
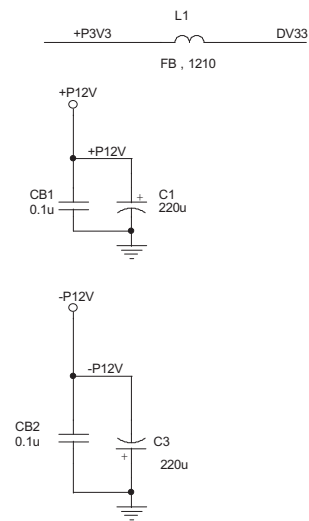
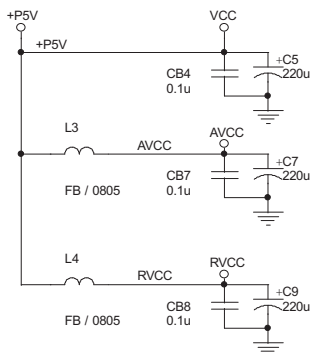
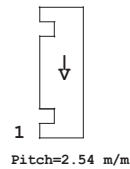
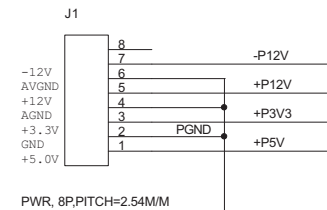
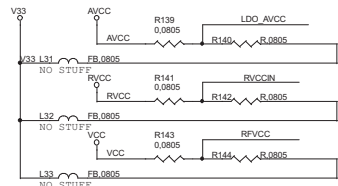
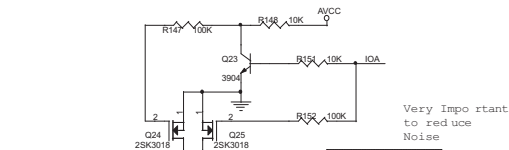


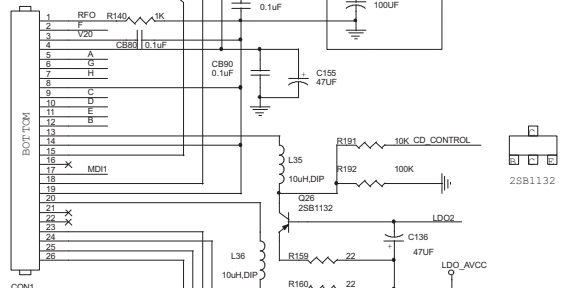
DIAGRAMA
ESQUEMÁTICO
PCI PRINCIPAL



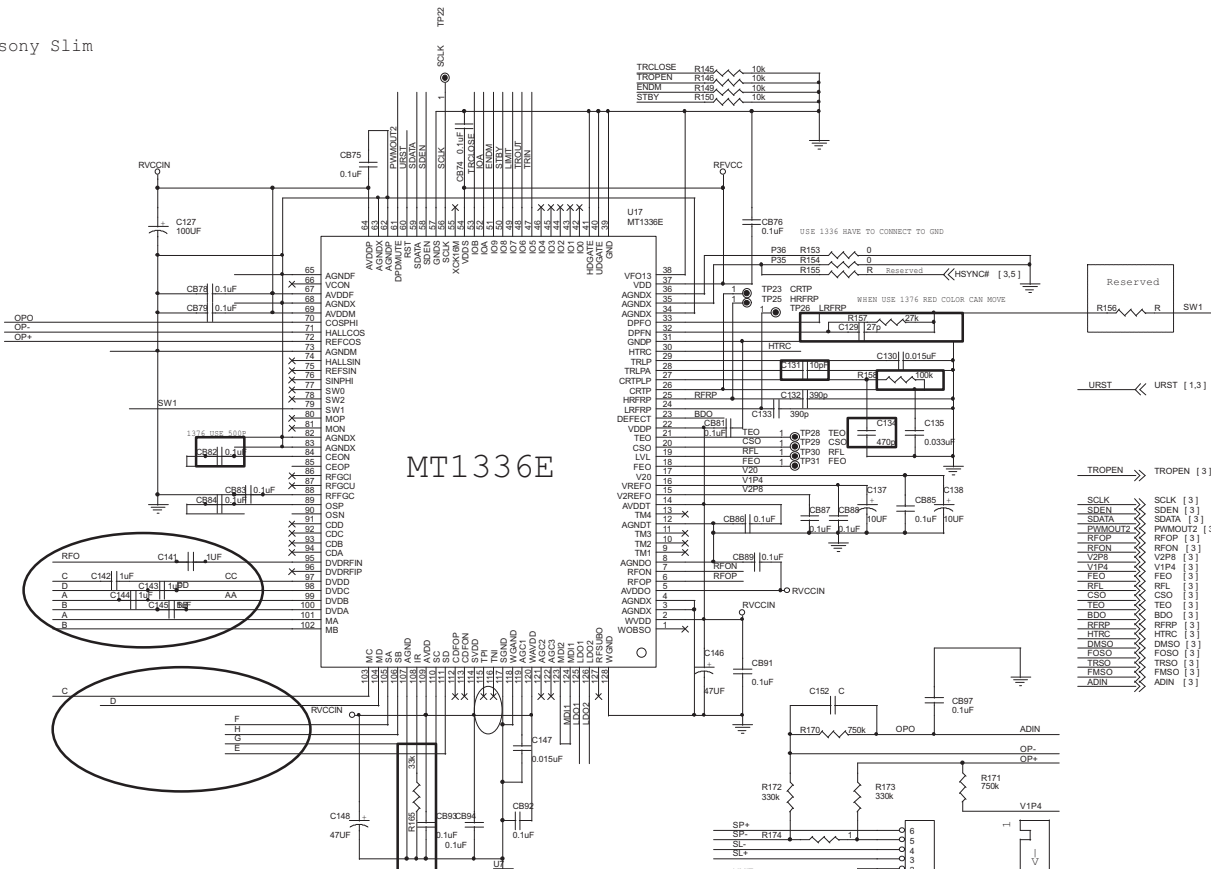
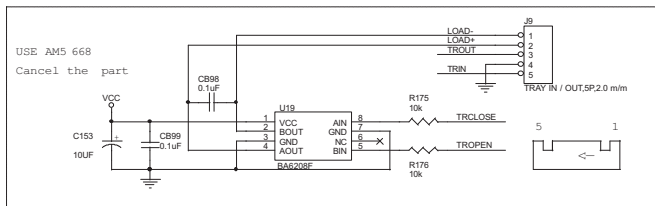
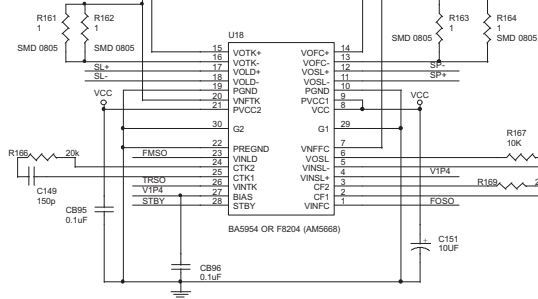
MT1336/76+MT1379 with sony Slim khm280 PUH.



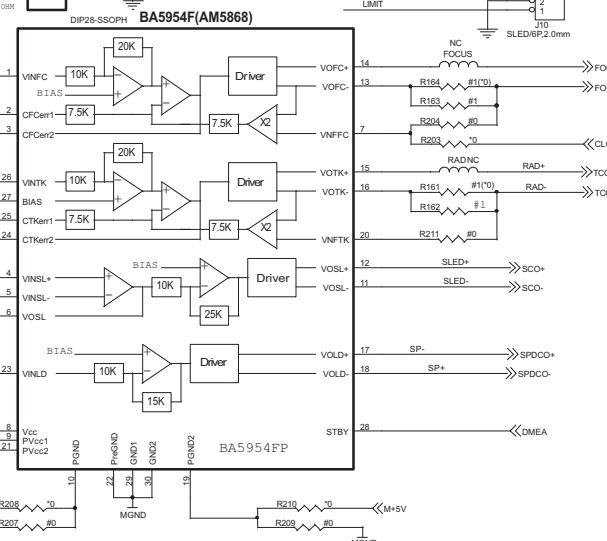
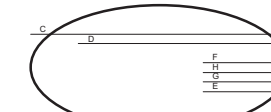
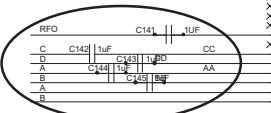
Very Important to reduce Noise



H26S/PO.5
HEADER 26 SMD.5 BOTTOM
TOP SIDE CONTACTED



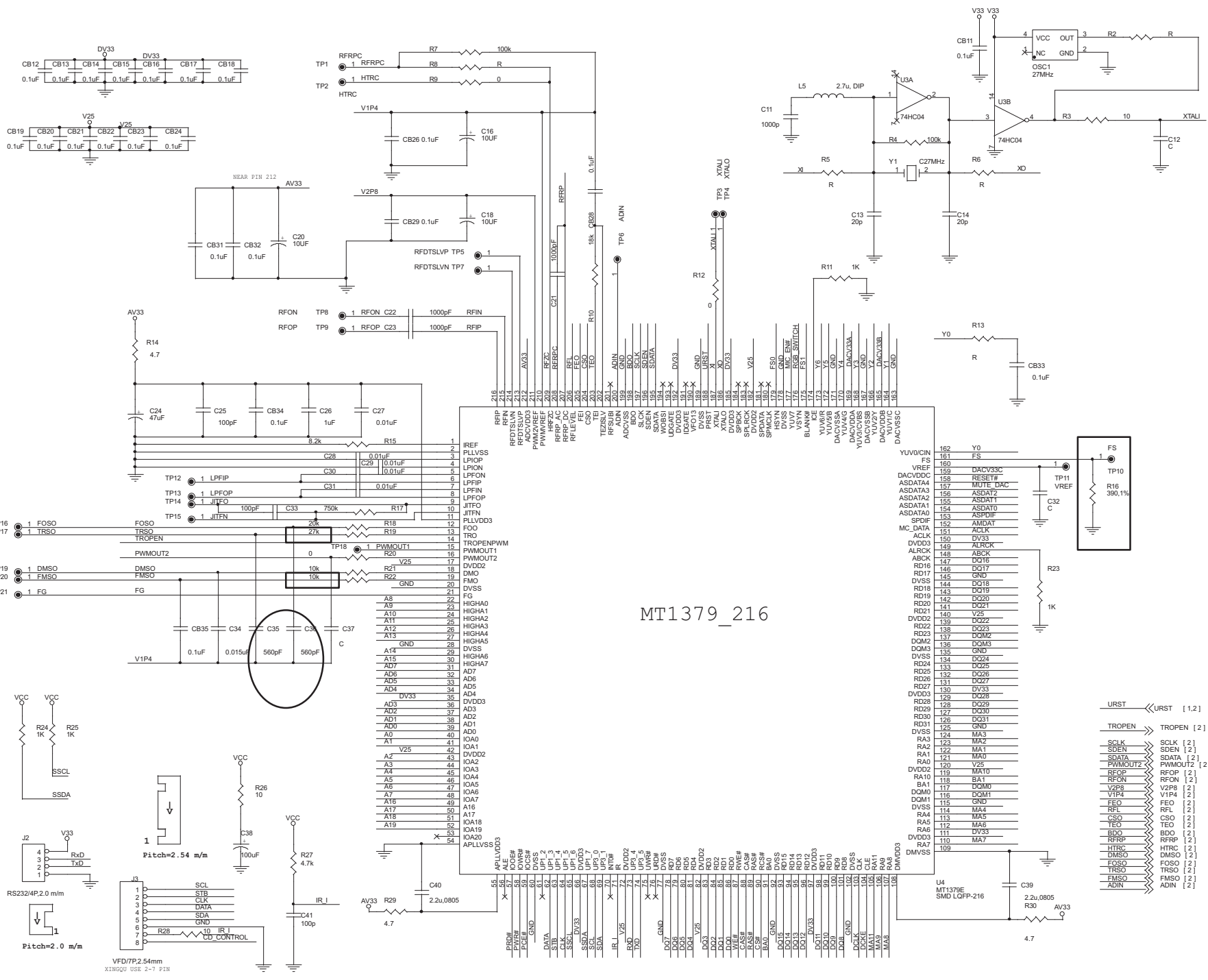
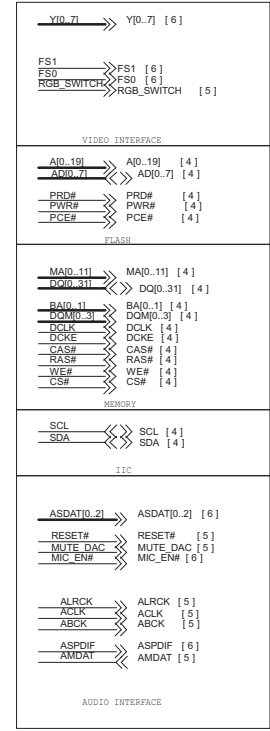
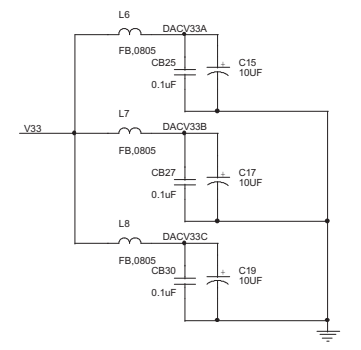
MT1336E



- Reserved
- URST << URST [1,3]
- TROPEN >> TROPEN [3]
- SCLK >> SCLK [3]
- SDEN >> SDEN [3]
- SDATA >> SDATA [3]
- PWMOUTZ >> PWMOUTZ [3]
- RFPD >> RFPD [3]
- RFPON >> RFPON [3]
- VZPB >> VZPB [3]
- V1P4 >> V1P4 [3]
- FEO >> FEO [3]
- REL >> REL [3]
- CSD >> CSD [3]
- TEO >> TEO [3]
- BDO >> BDO [3]
- FRFP >> FRFP [3]
- HTRC >> HTRC [3]
- DMSO >> DMSO [3]
- FOSO >> FOSO [3]
- TRSO >> TRSO [3]
- FMSO >> FMSO [3]
- ADIN >> ADIN [3]

DIAGRAMA
ESQUEMÁTICO
PCI PRINCIPAL

DIAGRAMA ESQUEMÁTICO PCI PRINCIPAL



MT1379_216

Scalefield & Freitas / Curitiba

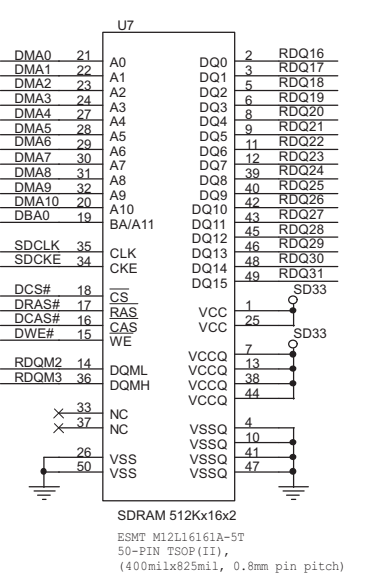
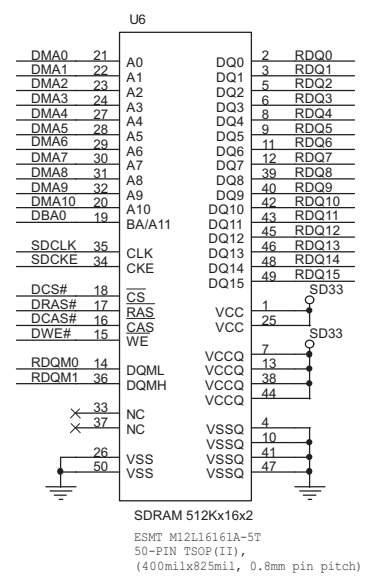
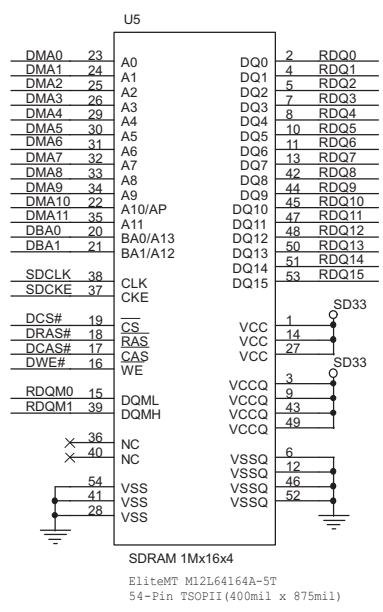
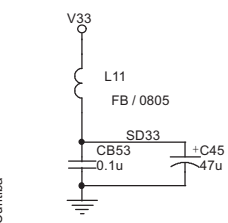
out/2004

HOME THEATER BSI-9000

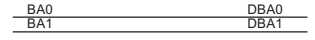
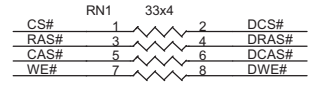
BRITANIA
ASSISTÊNCIA TÉCNICA

- [3] DCLK >>> DCLK
- [3] DCKE >>> DCKE
- [3] CAS# >>> CAS#
- [3] RAS# >>> RAS#
- [3] WE# >>> WE#
- [3] CS# >>> CS#
- [3] MA[0..11] >>> MA[0..11]
- [3] BA[0..1] >>> BA[0..1]
- [3] DQ[0..31] <<< DQ[0..31]
- [3] DQM[0..3] <<< DQM[0..3]
- [3] PCE# >>> PCE#
- [3] PRD# >>> PRD#
- [3] PWR# >>> PWR#
- [3] A[0..19] >>> A[0..19]
- [3] AD[0..7] <<< AD[0..7]
- [3] SCL >>> SCL
- [3] SDA >>> SDA

- PCE# >>> FCE#
- PRD# >>> FRD#
- PWR# >>> FWR#



DQ0	RDO0
DQ1	RDO1
DQ2	RDO2
DQ3	RDO3
DQ4	RDO4
DQ5	RDO5
DQ6	RDO6
DQ7	RDO7
DQ8	RDO8
DQ9	RDO9
DQ10	RDO10
DQ11	RDO11
DQ12	RDO12
DQ13	RDO13
DQ14	RDO14
DQ15	RDO15
DQ16	RDO16
DQ17	RDO17
DQ18	RDO18
DQ19	RDO19
DQ20	RDO20
DQ21	RDO21
DQ22	RDO22
DQ23	RDO23
DQ24	RDO24
DQ25	RDO25
DQ26	RDO26
DQ27	RDO27
DQ28	RDO28
DQ29	RDO29
DQ30	RDO30
DQ31	RDO31



MA0	DMA0
MA1	DMA1
MA2	DMA2
MA3	DMA3
MA4	DMA4
MA5	DMA5
MA6	DMA6
MA7	DMA7
MA8	DMA8
MA9	DMA9
MA10	DMA10
MA11	DMA11
DQM0	RDQM0
DQM1	RDQM1
DQM2	RDQM2
DQM3	RDQM3

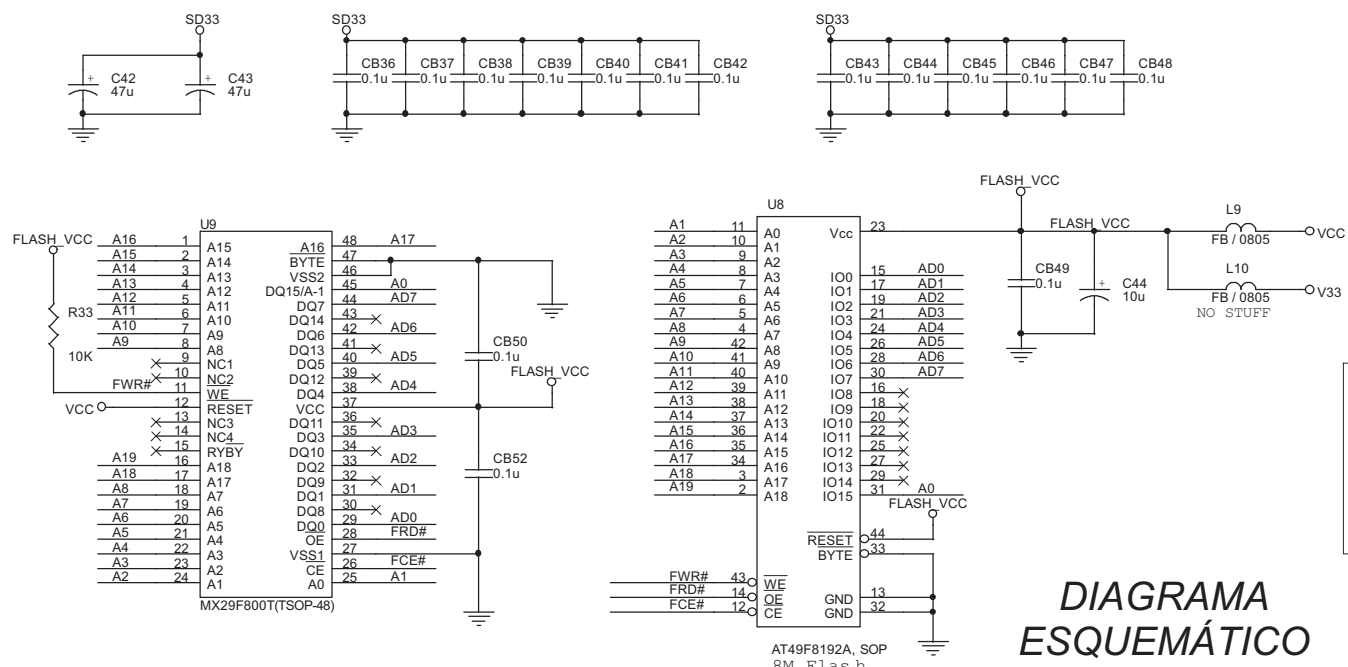
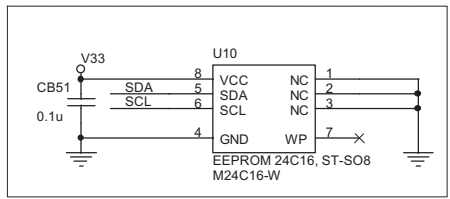
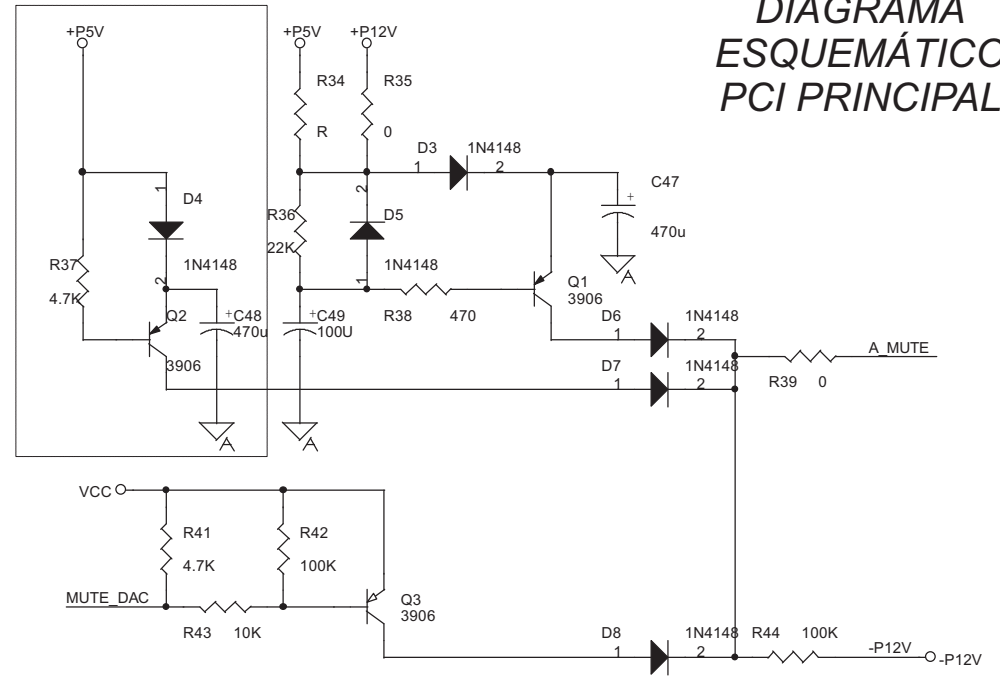
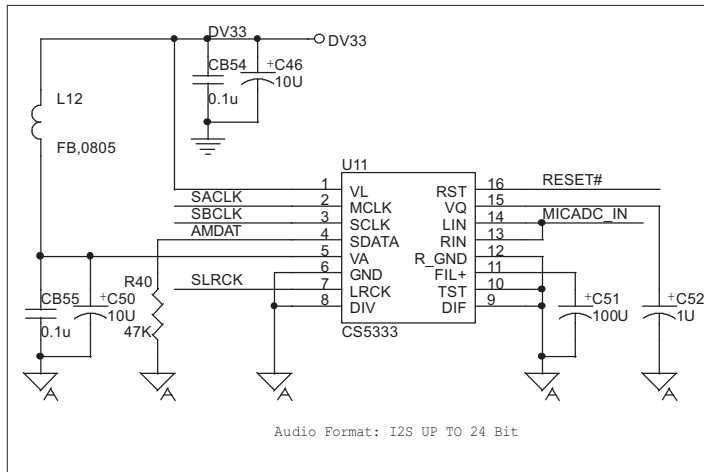


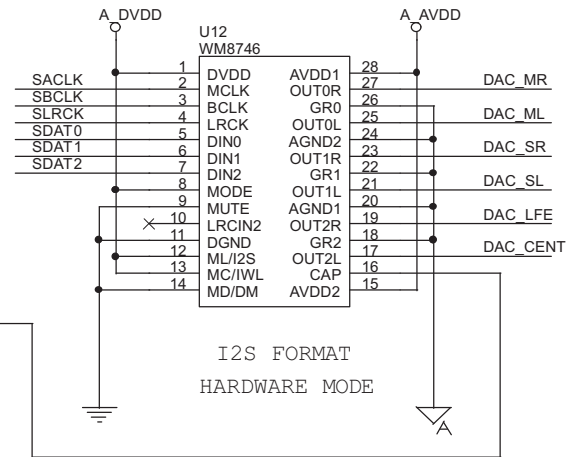
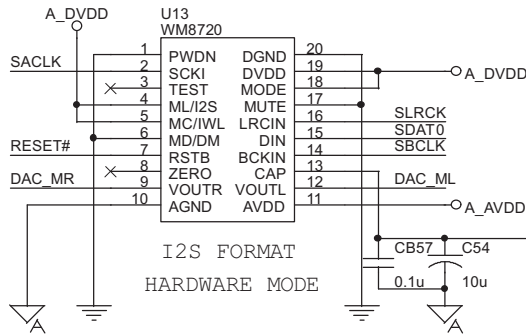
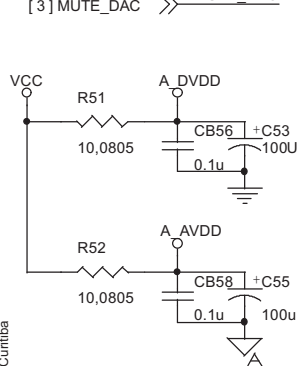
DIAGRAMA ESQUEMÁTICO PCI PRINCIPAL

DIAGRAMA ESQUEMÁTICO PCI PRINCIPAL



- [3] ACLK >>> ACLK
- [3] ABCK >>> ABCK
- [3] ALRCK >>> ALRCK
- [3] ASDAT[0..2] >>> ASDAT[0..2]
- [6] MICADC_IN >>> MICADC_IN
- [3,6] RESET# >>> RESET#
- [3] MUTE_DAC >>> MUTE_DAC

- ACLK R45 >>> 33 SACLK
- ABCK R46 >>> 33 SLRCK
- ABCK R47 >>> 33 SBCLK
- ASDAT0 R48 >>> 33 SDAT0
- ASDAT1 R49 >>> 33 SDAT1
- ASDAT2 R50 >>> 33 SDAT2



- DAC MR >>> DAC_MR [6]
- DAC ML >>> DAC_ML [6]
- DAC SR >>> DAC_SR [6]
- DAC SL >>> DAC_SL [6]
- DAC CENT >>> DAC_CENT [6]
- DAC LFE >>> DAC_LFE [6]
- AMDAT >>> AMDAT [3]
- A_MUTE >>> A_MUTE [6]

- [5] DAC_MR >> DAC_MR
- [5] DAC_ML >> DAC_ML
- [5] DAC_SR >> DAC_SR
- [5] DAC_SL >> DAC_SL
- [5] DAC_CENT >> DAC_CENT
- [5] DAC_LFE >> DAC_LFE
- [3] ASPDF >> ASPDF
- [3] MIC_ENW >> MIC_ENW
- [5] MCADC_IN >> MCADC_IN
- [5] A_MUTE >> A_MUTE
- [3] RESET# >> RESET#
- [3] YID_7 >> YID_7

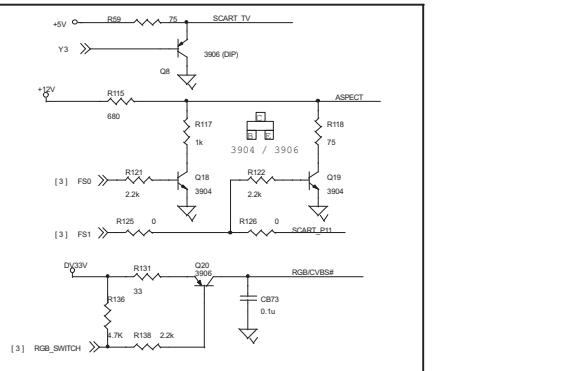
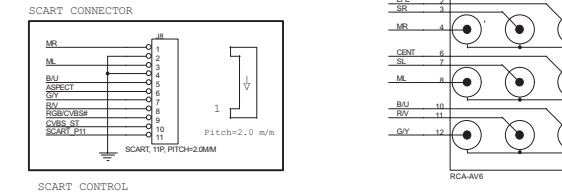
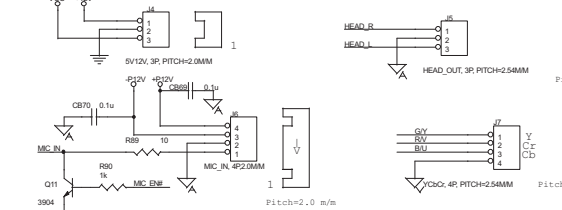
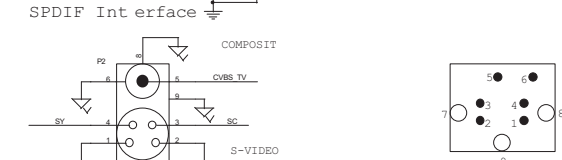
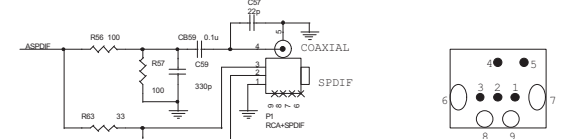
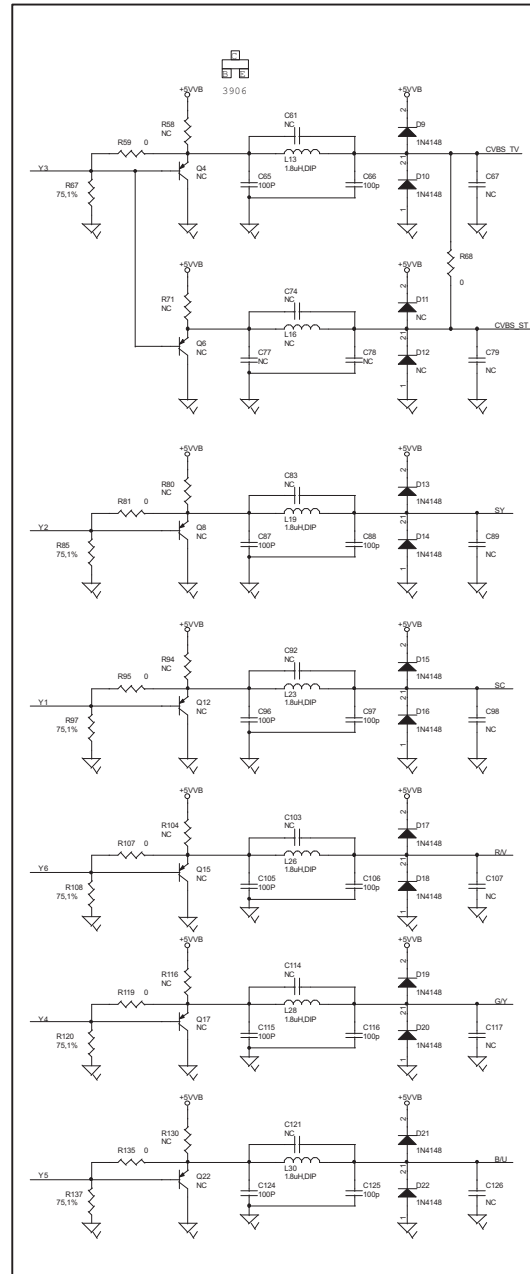
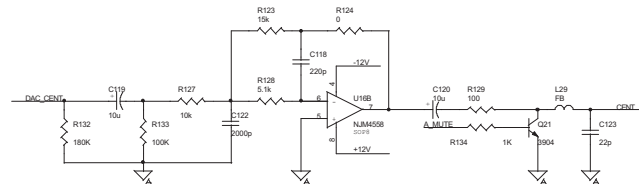
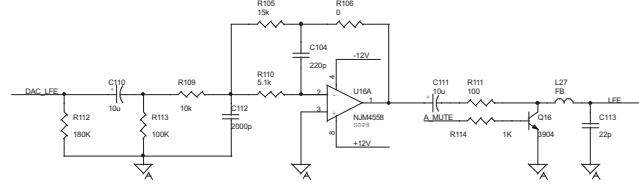
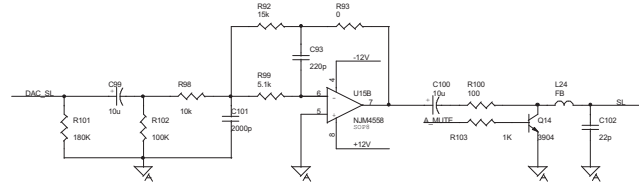
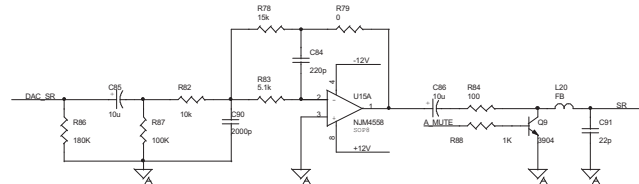
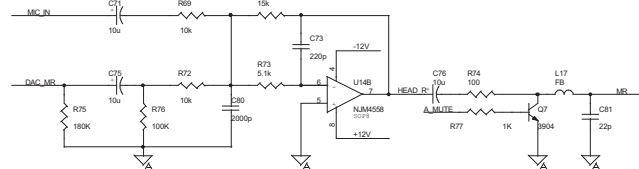
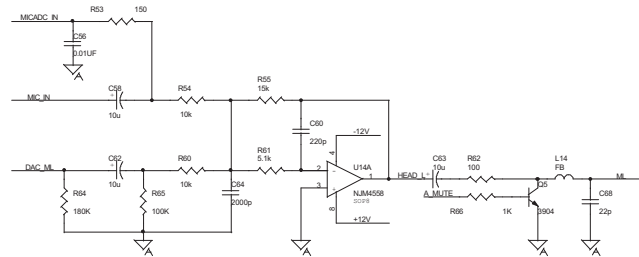
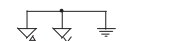
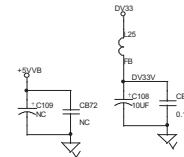
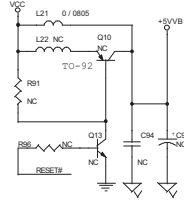
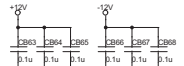
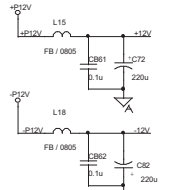


DIAGRAMA ESQUEMÁTICO
PCI PRINCIPAL