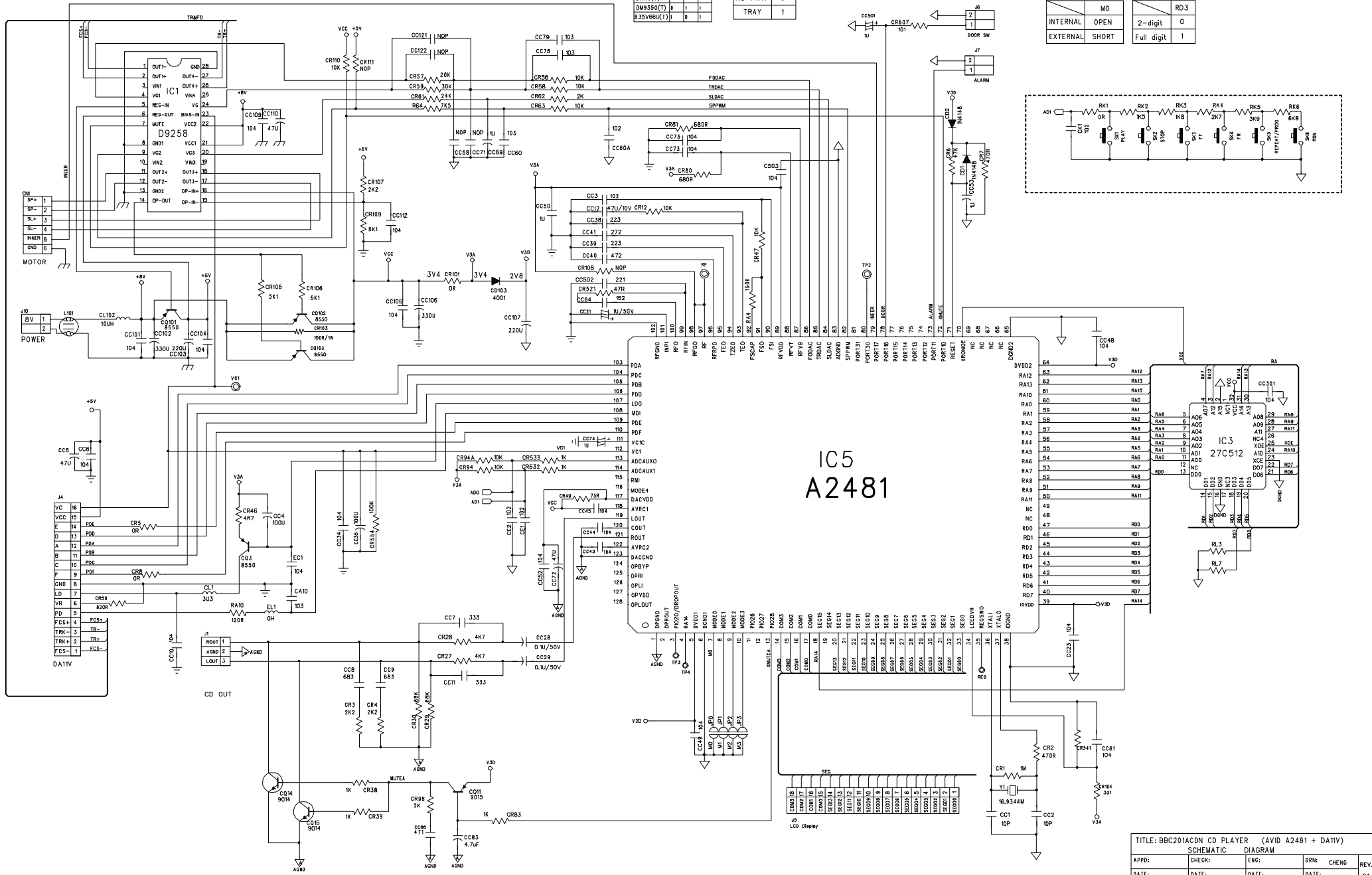


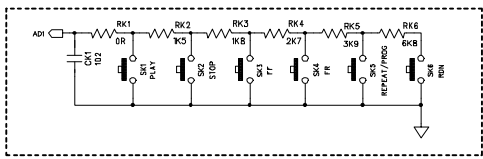
A2481

	M1	M2	M3	WITH/WITHOUT TRAY
XSW213(T)	1	1	1	RD7
XSW213(B)	1	0	1	NO TRAY 0
DATV(T)	1	1	0	TRAY 1
DM9350(T)	0	1	1	
B35V66U(T)	0	0	1	

ROM CODE SELECT		LCD Display Type	
INTERNAL	M0	2-digit	RD3
EXTERNAL	OPEN	Full digit	0
	SHORT		1

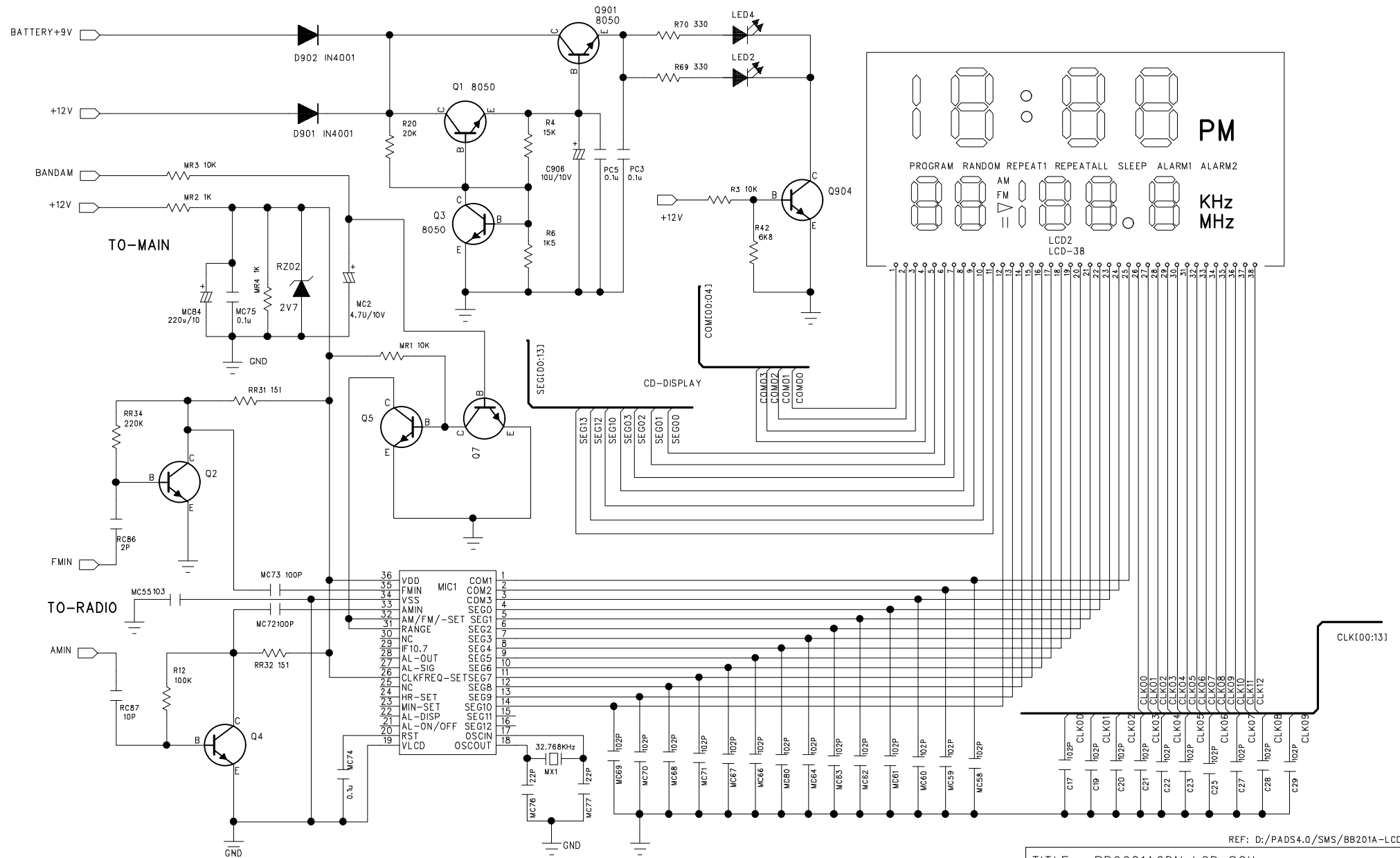


IC3
A2481



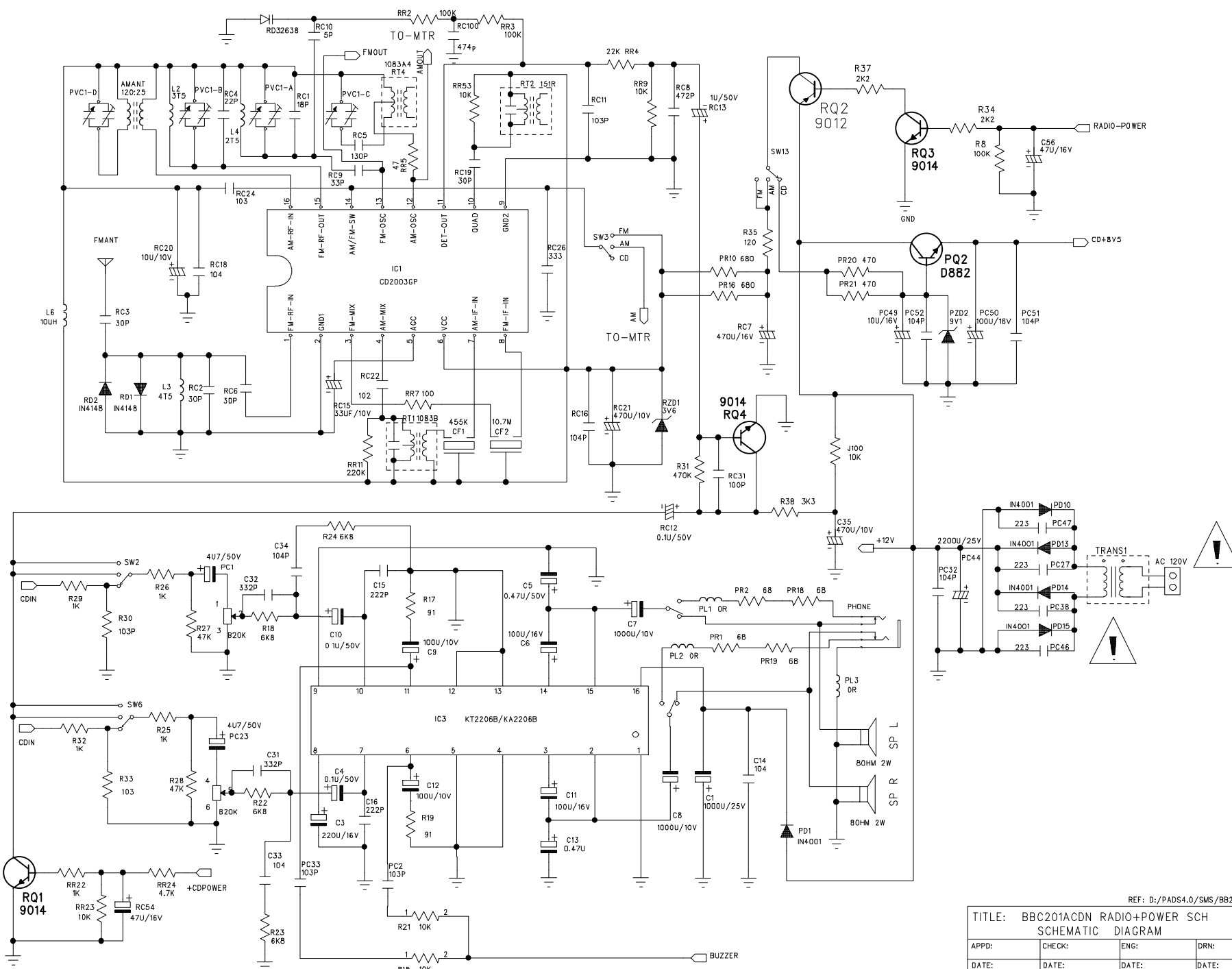
TITLE: BBC201ACDN CD PLAYER (AVID A2481 + DAT1V)				
SCHEMATIC DIAGRAM				
APPD:	CHECK:	ENG:	DRN:	CHENG:
DATE:	DATE:	DATE:	DATE:	6-13-2005
				D1
				NCAI LIK ELECTRONICS CO.,LTD
				A4

NOTE:suljeck to change without notice for improvement



NOTE:sutjeck to change without notice for improvement

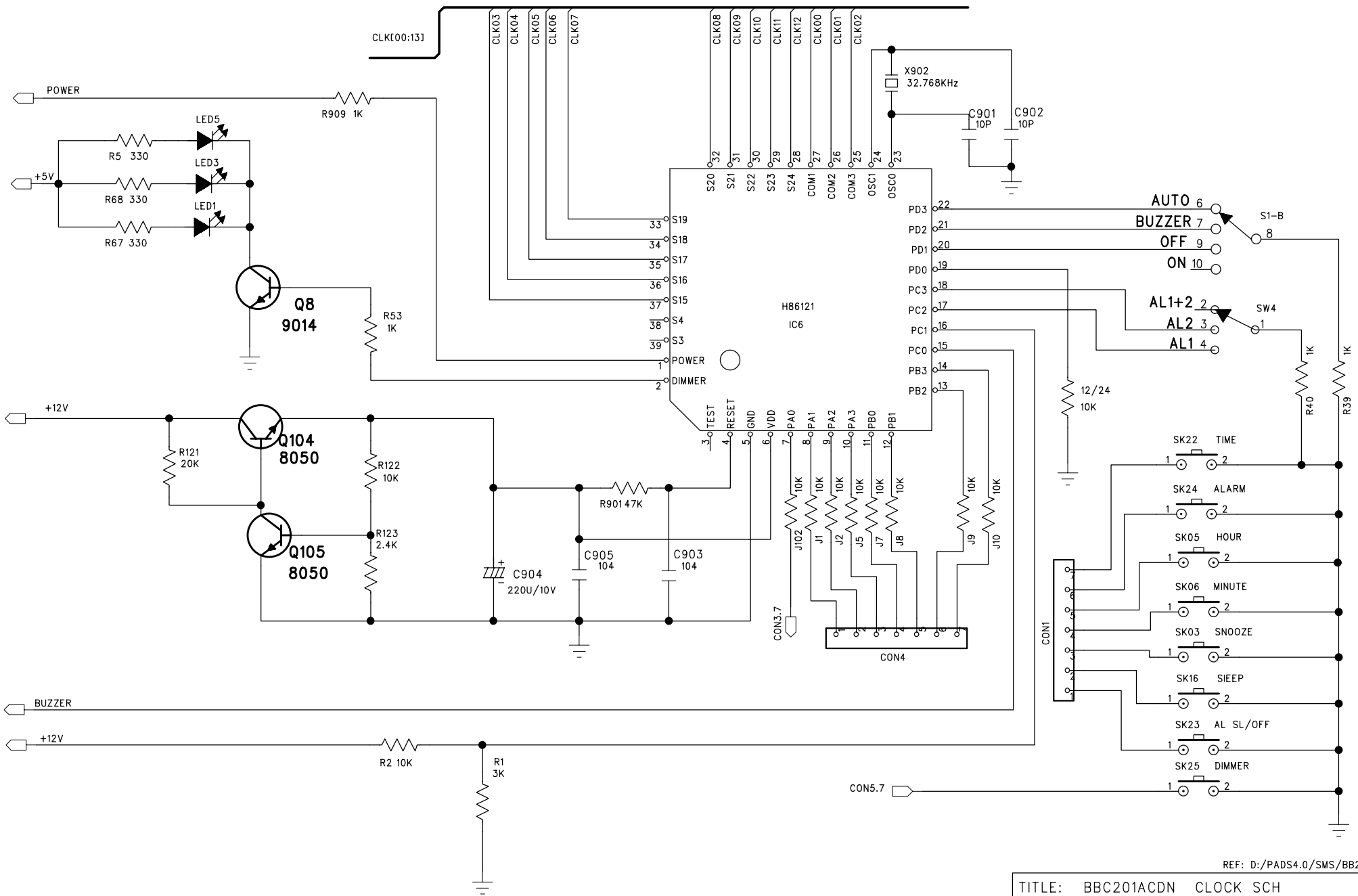
REF: D:/PADS4.0/SMS/BB201A-LCD.SCH				
TITLE: BBC201ACDN LCD SCH SCHEMATIC DIAGRAM				
APPD:	CHECK:	ENG:	DRN: CHENG	REV:
DATE:	DATE:	DATE:	DATE: Apr.-22-2005	01
NGAI LIK ELECTRONICS CO.,LTD.				A3



P.C.B NO

NOTE:sujectk to change without notice for improvement

REF: D:/PADS4.0/SMS/BB201A-POWER.SCH				
TITLE: BBC201ACDN RADIO+POWER SCH				
SCHEMATIC DIAGRAM				
APPD:	CHECK:	ENG:	DRN: CHENG	RE V:
DATE:	DATE:	DATE:	DATE: Apr.-22-2005	O1
NGAI LIK ELECTRONICS CO.,LTD.				A3



REF: D:/PADS4.0/SMS/BB201A-CLOCK.SCH

TITLE: BBC201ACDN CLOCK SCH				
SCHEMATIC DIAGRAM				
APPD:	CHECK:	ENG:	DRN: CHENG	REV:
DATE:	DATE:	DATE:	DATE: Apr.-22-2005	01
NGAI LIK ELECTRONICS CO.,LTD.				A3

NOTE:sutjeck to change without notice for improvement

