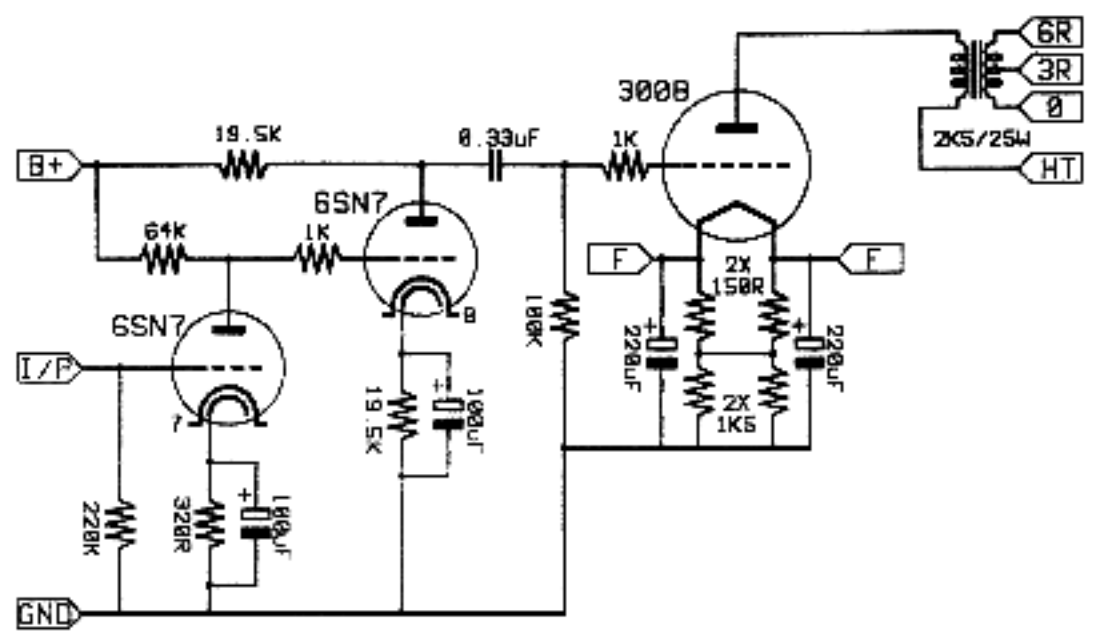
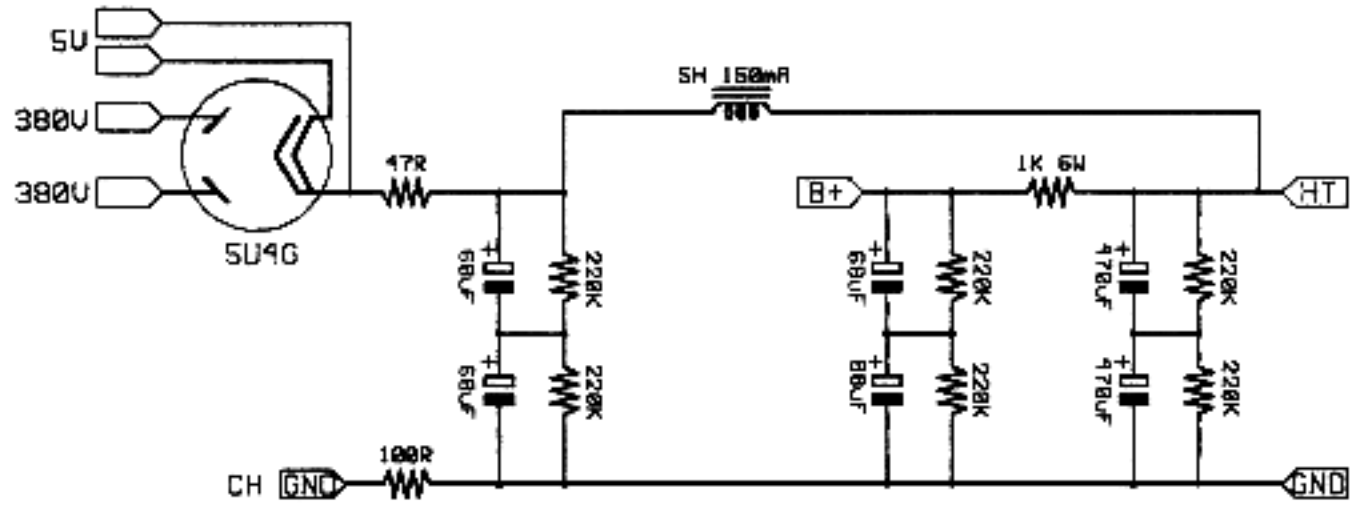


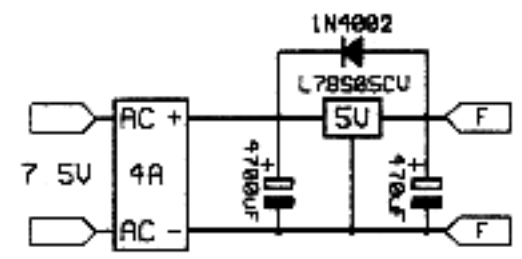
QUEST POWER STAGE



HT SUPPLY



300B FILAMENT REG



TITLE: QUEST POWER
 NO:
 ISSUE: V10

DRAWN: J. ARNOTT
 DATE: 13.05.96
 OK.

AUDIONOTE