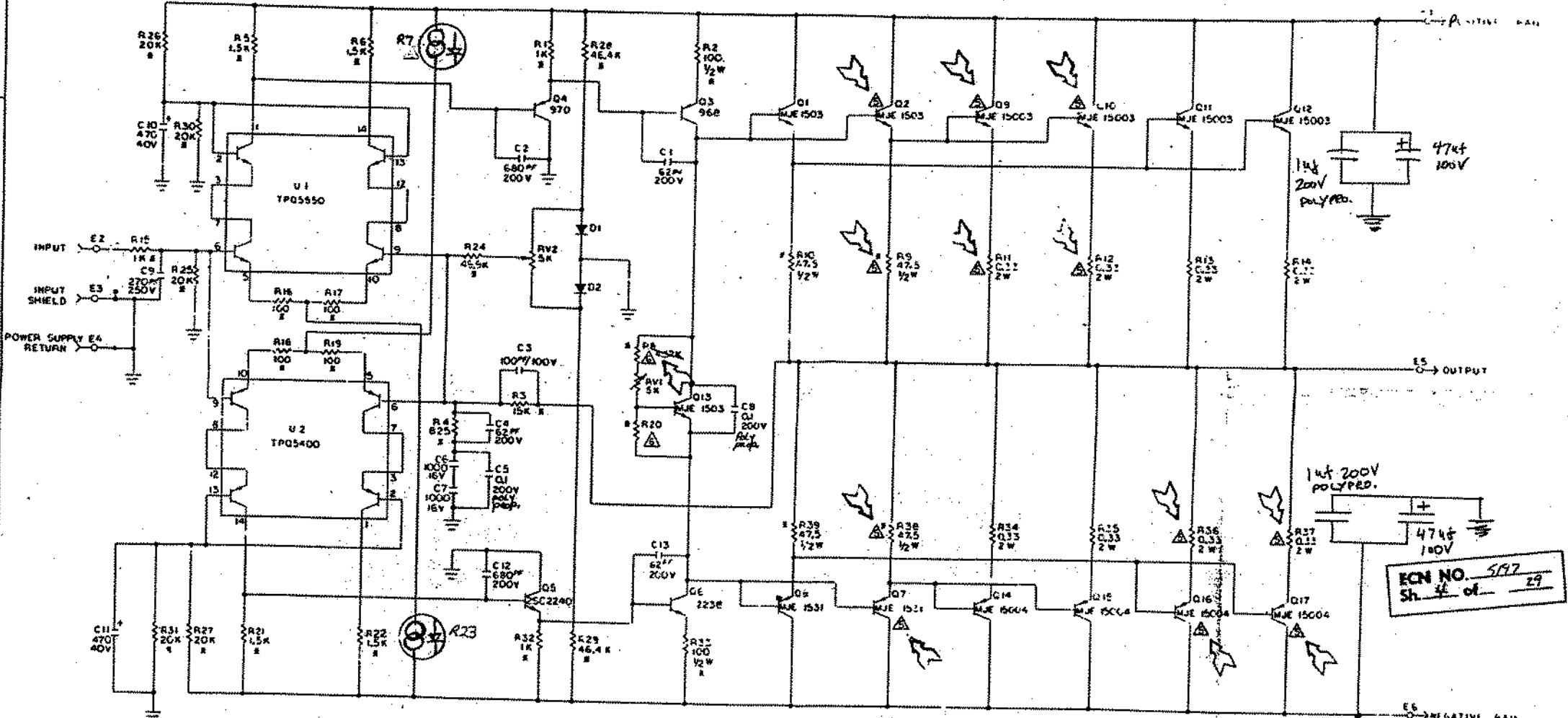


IMPORTANT NOTE
 THIS DRAWING CONTAINS INFORMATION THAT IS PROPRIETARY TO LUC/ INTERGRATED POWER TECH. AND SHOULD NOT BE USED OR REPRODUCED WITHOUT WRITTEN PERMISSION

COMPONENT	VALUE CHART	
	TAP	DOE/TAP
R20	2.32 K	1.5 K
RB	4.32 K	3.01 K

REV	BY	DATE	DESCRIPTION	DATE
---	A	---	PROTOTYPE	---
---	B	---	SEE FCN	---
---	C	---	SEE ECN	---
---	D	---	R24 FROM REV. 17 TO REV. 18	---
---	E	---	ADDED RB TO CHART RB REMOVED VALUE ADDED ADDED WHERE NEEDED	---



NOTES:
 UNLESS OTHER SPECIFIED:
 1. ALL RESISTORS ARE 1/4W, 5% CF
 2. SMALL RESISTANCE IS IN OHMS
 3. ALL DIODES ARE 1N4148
 4. ALL CAPACITANCE IS IN MICROFARADS
 5. 2.2 INDICATES 1/4W, 1% RESISTORS
 6. Δ INDICATES POLYPROP CAPACITORS
 7. THERE ARE NO FOURWAY TIES
 8. THESE COMPONENTS ARE NOT USED ON TAP006100W

FOR VALUES SEE CHART

HIGHEST REFERENCE DESIGNATIONS									
C	D	H	E	Q	U	R	V	---	---
13	2	39	6	17	2	2	---	---	---
REFERENCE DESIGNATIONS NOT USED									
---	---	---	---	---	---	---	---	---	---

APPROVALS	
DESIGNER	DATE
CAG	12/25/77
---	---
---	---

ECN NO. 597
 Sh. 4 of 59

4004-2004

SCHEMATIC DRIVER / OUTPUT

TAP 006/077

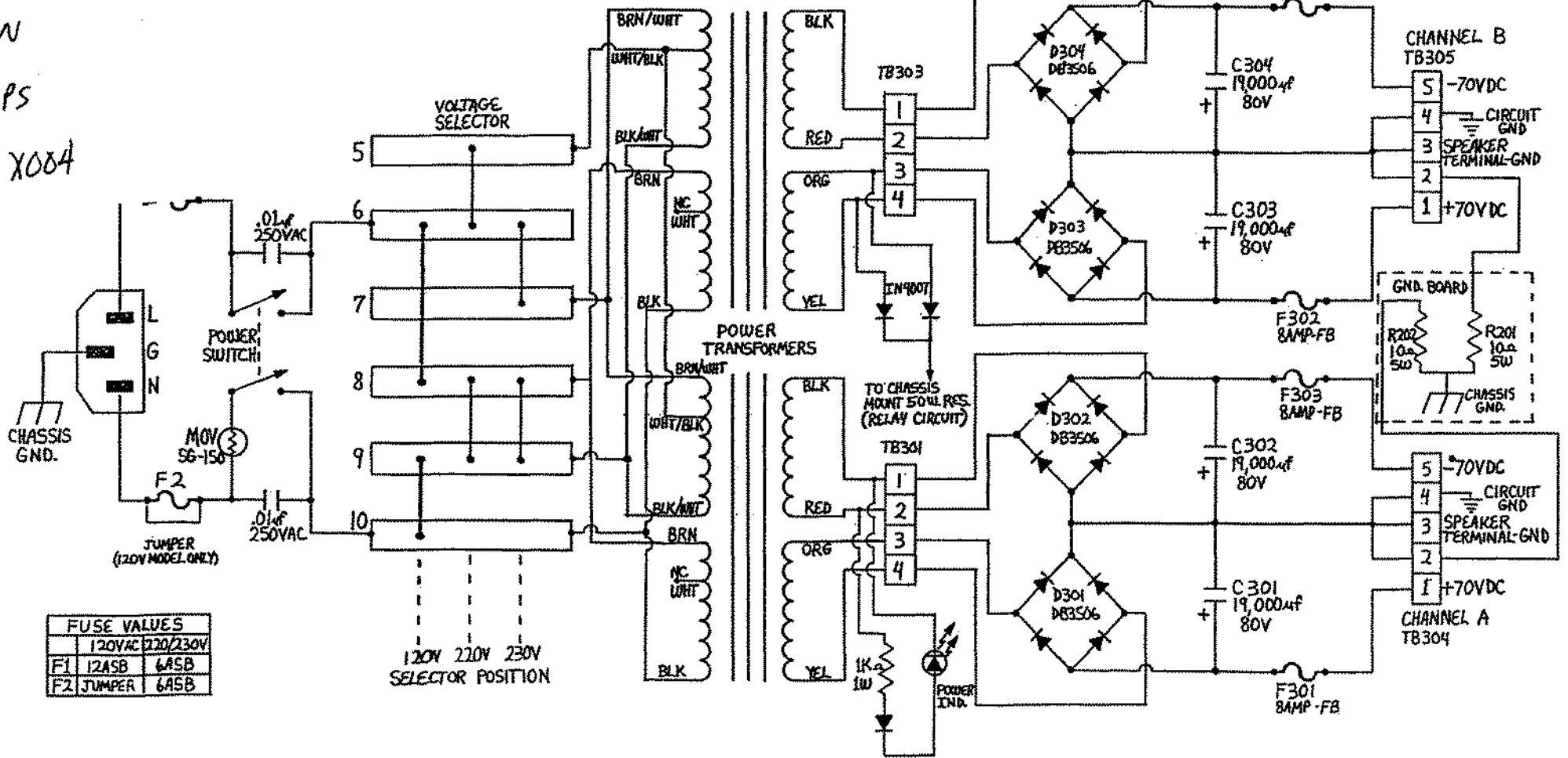
0950074-00

ARAGON 4004 - POWER SUPPLY

MONDIAL DESIGNS, LTD.

ARAGON
Amps

X084



FUSE VALUES		
	120VAC	220/230V
F1	12ASB	6ASB
F2	JUMPER	6ASB

120V 220V 230V
SELECTOR POSITION