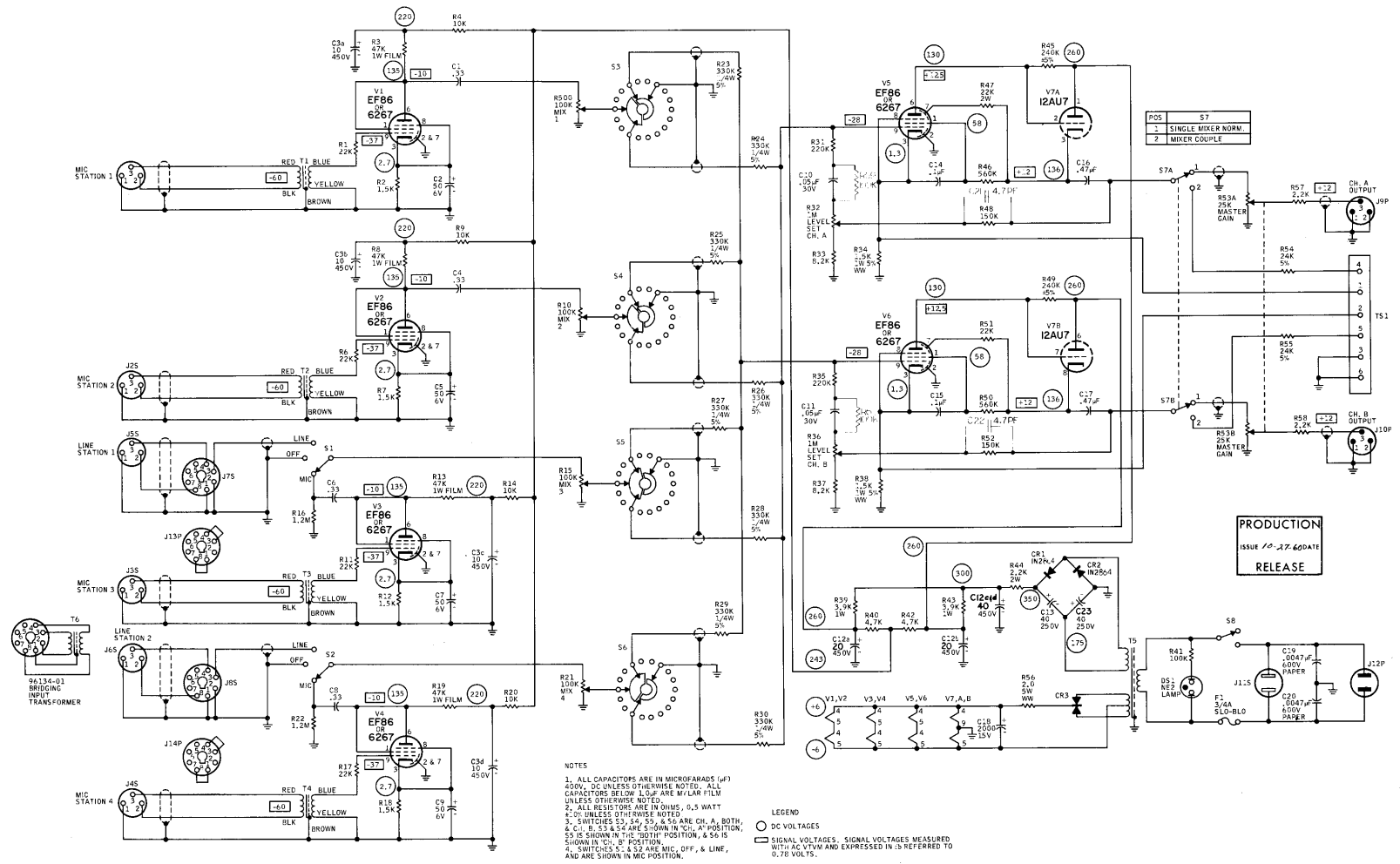


SCHEMATIC DIAGRAM



NOTES

1. ALL CAPACITORS ARE IN MICROFARADS (μF) 250V, DC UNLESS OTHERWISE NOTED. ALL CAPACITORS BELOW 1.0μF ARE M/LAR FILM UNLESS OTHERWISE NOTED.
2. ALL RESISTORS ARE IN OHMS, 0.5 WATT
3. UNLESS OTHERWISE NOTED
4. SWITCHES S1, S4, S5, & S6 ARE CH. A, BOTH 2, C, & S2 ARE S-DOWN IN "1", "A" POSITION, S5 IS SHOWN IN "1" POSITION, & S6 IS SHOWN IN "1", "B" POSITION
5. SWITCHES S1 & S2 ARE MIC, OFF, & LINE, AND ARE SHOWN IN MIC POSITION.

LEGEND

○ DC VOLTAGES

□ SIGNAL VOLTAGES. SIGNAL VOLTAGES MEASURED WITH AC VTVM AND EXPRESSED IN -dB REFERRED TO 0.70 VOLTS.

REF. NO.

PART DESCRIPTION

AMPEX PART NO.

REF. NO.	PART DESCRIPTION	AMPEX PART NO.
	MIXER ASSEMBLY, MX-10: Catalog No. 01-96900-01	
	MIXER ASSEMBLY, MX-35: Catalog No. 01-96910-01	
C1	CAPACITOR, Fixed: mylar; 0.33 mfd; $\pm 10\%$; 400 vdcw; Goodall Type 623	035-957
C2	CAPACITOR, Fixed: electrolytic; 50 mfd; -10% $+250\%$; 6 vdcw; Sprague Part No. TVA1100	031-123
C3	CAPACITOR, Fixed: electrolytic; 10-10-10-10 mfd; -10% $+50\%$; 450 vdcw; Mallory Part No. FP-434	031-077
C4	(Same as C1)	035-957
C5	(Same as C2)	031-123
C6	(Same as C1)	035-957
C7	(Same as C2)	031-123
C8	(Same as C1)	035-957
C9	(Same as C2)	031-123
C10	CAPACITOR, Fixed: ceramic; 0.05 mfd; -20% $+100\%$; 30 vdcw; Centralab Part No. DA-503	030-126
C11	(Same as C10)	030-126
C12	CAPACITOR, Fixed: electrolytic; 20-20-20-20 mfd; 450 vdcw; Sprague Type DFP	031-074
C13	CAPACITOR, Fixed: electrolytic; 40 mfd; $\pm 10\%$; 250 vdcw; Sprague Part No. TVL1519	031-161
C14	CAPACITOR, Fixed: mylar; 0.1 mfd; $\pm 10\%$; 400 vdcw; Cornell Dubilier Part No. WMF4P1E	035-999
C15	(Same as C14)	035-999
C16	CAPACITOR, Fixed: mylar; 0.47 mfd; $\pm 20\%$; 400 vdcw; Cornell Dubilier Part No. WMF4P47E	035-981
C17	(Same as C16)	035-981
C18	CAPACITOR, Fixed: electrolytic; 2000 mfd; -10% $+250\%$; 15 vdcw; Mallory Part No. WP-041	031-085
C19	CAPACITOR, Fixed: paper; 0.0047 mfd; $\pm 20\%$; 600 vdcw; Sprague Part No. 73P47206	035-028
C20	(Same as C19)	035-028
C21	CAPACITOR, Fixed: ceramic; 4.7 pfd; $\pm 10\%$; 500 vdcw; Erie Type 831	54-0289
C22	(Same as C21)	54-0289
C23	CAPACITOR, Fixed: electrolytic; 40 mfd; 250 vdcw; Cornell Dubilier Type BR	031-996
CR1	DIODE, Crystal: diffused silicon; 600 PIV; Type 1N2864	57-0012
CR2	(Same as CR1)	57-0012
CR3	RECTIFIER, Selenium: Radio Receptor Part No. C11S1C1E1G	582-998
DS1	LAMP, Neon: miniature; amber; Eldema Part No. 1B9-5277	060-996
F1	FUSE, Cartridge: 0.75 amps; slow-blow; 125 v; 1/4 in. dia. by 1-1/4 in. lg.: Littlefuse Part No. 313.750	070-048
J1S	CONNECTOR, Receptacle: female; 3 contact; Cannon Part No. XLR-3-31	146-998
J2S	(Same as J1S)	146-998
J3S	(Same as J1S)	146-998
J4S	(Same as J1S)	146-998
J5S	(Same as J1S)	146-998
J6S	(Same as J1S)	146-998
J7S	SOCKET, Octal: mica; Cinch-Jones Part No. 12272-8-AM	150-010
J8S	(Same as J7S)	150-010
J9P	CONNECTOR, Receptacle: male; 3 contact; Cannon Part No. XLR-3-32	147-999
J10P	(Same as J9P)	147-999
J11S	CONNECTOR, Receptacle: female; 2 contact; Circle F Part No. M-438	146-999
J12P	CONNECTOR, Receptacle: male; 2 contact; Tower Part No. C10610A	147-032

REF. NO.

PART DESCRIPTION

AMPEX PART NO.

R1	RESISTOR, Fixed: composition; 22K ohms; $\pm 10\%$; 1/2 watt; MIL-R-11A: RC20GF223K	041-064
R2	RESISTOR, Fixed: composition; 1.5K ohms; $\pm 10\%$; 1/2 watt; MIL-R-11A: RC20GF152K	041-050
R3	RESISTOR, Fixed: film; 47K ohms; $\pm 1\%$; 1 watt; Dalohm Type DC-1	042-049
R4	RESISTOR, Fixed: composition; 10K ohms; $\pm 10\%$; 1/2 watt; MIL-R-11A: RC20GF103K	041-060
R5	RESISTOR, Variable: composition; 100K ohms; $\pm 10\%$; 2 watt; Allen Bradley Part No. JA1N056S104AZ	044-015
R6	(Same as R1)	041-064
R7	(Same as R2)	041-050
R8	(Same as R3)	042-049
R9	(Same as R4)	041-060
R10	(Same as R5)	044-015
R11	(Same as R1)	041-064
R12	(Same as R2)	041-050
R13	(Same as R3)	042-049
R14	(Same as R4)	041-060
R15	(Same as R5)	044-015
R16	RESISTOR, Fixed: composition; 1.2 megohms; $\pm 10\%$; 1/2 watt; MIL-R-11A: RC20GF125K	041-084
R17	(Same as R1)	041-064
R18	(Same as R2)	041-050
R19	(Same as R3)	042-049
R20	(Same as R4)	041-060
R21	(Same as R5)	044-015
R22	(Same as R16)	041-084
R23	RESISTOR, Fixed: composition; 330K ohms; $\pm 5\%$; 1/4 watt; Allen Bradley Type CB	041-932
R24	(Same as R23)	041-932
R25	(Same as R23)	041-932
R26	(Same as R23)	041-932
R27	(Same as R23)	041-932
R28	(Same as R23)	041-932
R29	(Same as R23)	041-932
R30	(Same as R23)	041-932
R31	RESISTOR, Fixed: composition; 220K ohms; $\pm 10\%$; 1/2 watt; MIL-R-11A: RC20GF224K	041-076
R32	RESISTOR, Variable: composition; 1 megohm; $\pm 20\%$; .3 watt; Chicago Telephone Type PE-200	044-993
R33	RESISTOR, Fixed: composition; 8.2K ohms; $\pm 10\%$; 1/2 watt; MIL-R-11A: RC20GF822K	041-059
R34	RESISTOR, Fixed: wirewound; 1.5K ohms; $\pm 5\%$; 1 watt; IRC Type BW-1	043-989
R35	(Same as R31)	041-076
R36	(Same as R32)	044-993
R37	(Same as R33)	041-059
R38	(Same as R34)	043-989
R39	RESISTOR, Fixed: composition; 3.9K ohms; $\pm 10\%$; 1 watt; MIL-R-11A: RC32GF392K	041-153
R40	RESISTOR, Fixed: composition; 4.7K ohms; $\pm 10\%$; 1/2 watt; MIL-R-11A: RC20GF472K	041-056
R41	RESISTOR, Fixed: composition; 100K ohms; $\pm 10\%$; 1/2 watt; MIL-R-11A: RC20GF104K	041-072
R42	(Same as R40)	041-056
R43	(Same as R39)	041-153
R44	RESISTOR, Fixed: composition; 2.2K ohms; $\pm 10\%$; 2 watt; MIL-R-11A: RC42GF222K	041-205
R45	RESISTOR, Fixed: composition; 240K ohms; $\pm 5\%$; 1/2 watt; MIL-R-11A: RC20GF244J	041-374
R46	RESISTOR, Fixed: composition; 560K ohms; $\pm 10\%$; 1/2 watt; MIL-R-11A: RC20GF564K	041-081

REF. NO.	PART DESCRIPTION	AMPEX PART NO.
R47	RESISTOR, Fixed: composition; 22K ohms; ±10%; 2 watt; MIL-R-11A: RC42GF223K	041-216
R48	RESISTOR, Fixed: composition; 150K ohms; ±10%; 1/2 watt; MIL-R-11A: RC20GF154K	041-074
R49	(Same as R45)	041-374
R50	(Same as R46)	041-081
R51	(Same as R47)	041-216
R52	(Same as R48)	041-074
R53	POTENTIOMETER, Dual: ganged; 25K ohms	96928-01
R54	RESISTOR, Fixed: composition; 24K ohms; ±5%; 1/2 watt; MIL-R-11A: RC20GF243J	041-369
R55	(Same as R54)	041-369
R56	RESISTOR, Fixed: wirewound; 2 ohms; ±10%; 5 watt; Tru-Ohm Type X-60	043-990
R57	RESISTOR, Fixed: composition; 2.2K ohms; ±10%; 1/2 watt; MIL-R-11A: RC20GF222K	041-052
R58	(Same as R57)	041-052
S1	SWITCH, Mixer	96925-01
S2	(Same as S1)	96925-01
S3	SWITCH, Mixer	96926-01
S4	(Same as S3)	96926-01
S5	(Same as S3)	96926-01
S6	(Same as S3)	96926-01
S7	SWITCH, Slide: DPDT	96139-02
S8	SWITCH, Toggle: SPST; paddle handle; 3 amp; Circle F Part No. 1887-L4P	120-999
T1	TRANSFORMER, Microphone	96908-01
T2	(Same as T1)	96908-01
T3	(Same as T1)	96908-01
T4	(Same as T1)	96908-01
T5	TRANSFORMER, Power	96144-01
TS1	STRIP, Terminal: barrier; 6 terminals; Cinch- Jones Part No. 6-140Y	180-111
V1	TUBE, Electron: 9 pin; miniature; Amperex Type EF86/6267	012-098
V2	(Same as V1)	012-098
V3	(Same as V1)	012-098
V4	(Same as V1)	012-098
V5	(Same as V1)	012-098
V6	(Same as V1)	012-098
V7	TUBE, Electron: 9 pin; miniature; Amperex Type 12AU7	012-107
	INDICATOR, Reset	50735-02
	PLUG ASSEMBLY, Dummy	17420-01
	KNOB, Key tab (MX-10)	96922-01
	KNOB, Key tab (MX-35)	96922-02
	CORD, Power Input	084-004
	POST, Fuse: Littelfuse Part No. 342012	085-001
	SHIELD, Tube: 9 pin; Cinch-Jones Part No. 9S2	160-012
	KNOB, Medium dark grey (MX-10)	96585-01
	KNOB, Black (MX-35)	230-003
	KNOB, Light grey (MX-10)	96585-02
	KNOB, Black (MX-35)	230-004
	SOCKET, Tube: 9 pin; Cinch-Jones Part No. 53F12621	150-020
	CONNECTOR, Plug: female; 3 contact; Cannon Part No. XL-3-11	144-003