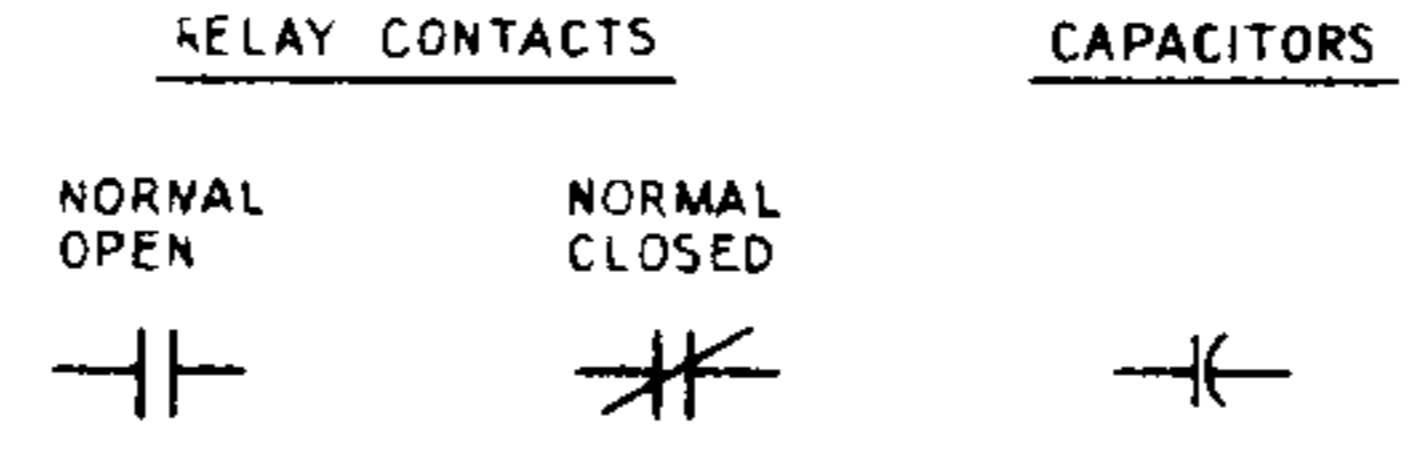
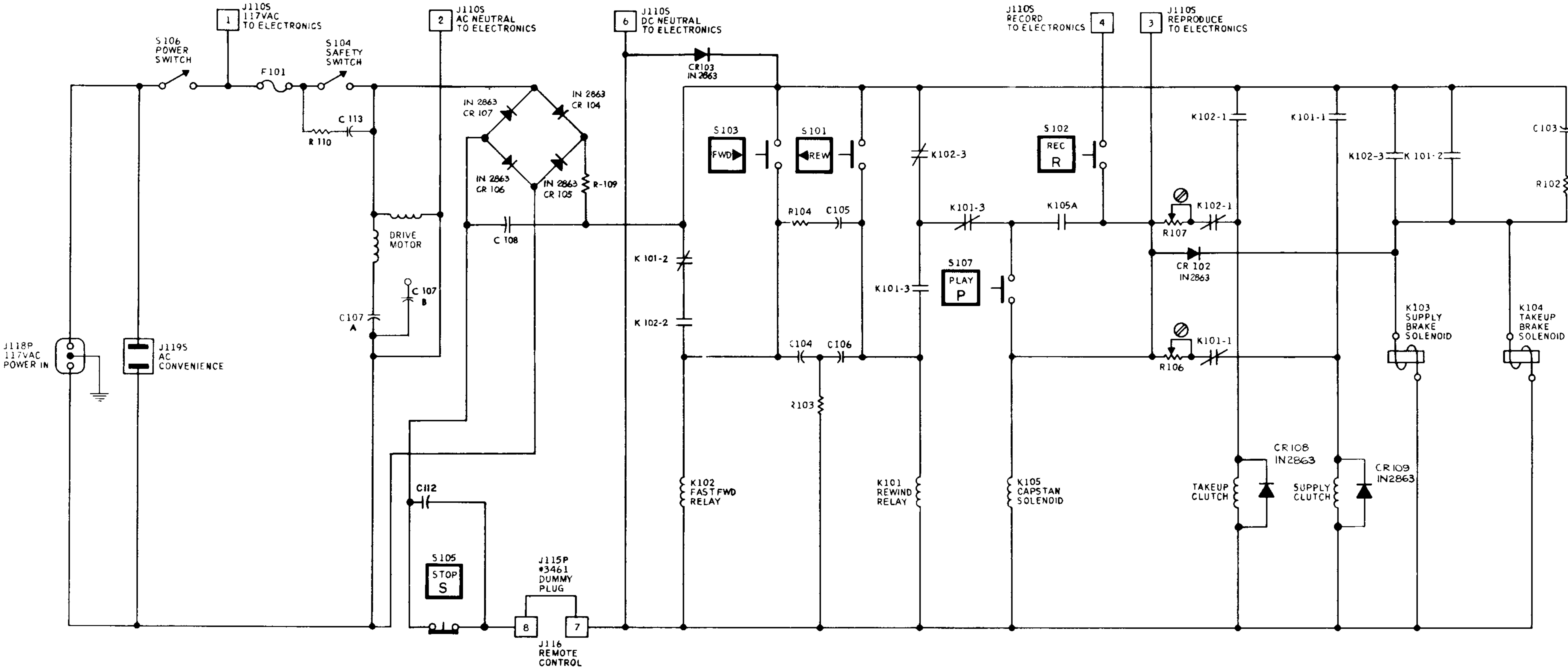


- NOTES:
1. ALL RELAYS AND SOLENOIDS SHOWN DE-ENERGIZED.
  2. ALL RESISTORS IN OHMS AND RATED 1/2 WATT, 10%, UNLESS OTHERWISE SPECIFIED.
  3. ALL CAPACITORS IN MICROFARADS AND RATED 400V UNLESS OTHERWISE SPECIFIED.
  4. FOR AUTO THREADING ONLY
  5. CAPACITOR VALUES VARIES WITH MFG OF DRIVE MOTOR.
- FOR BODINE MOTOR:  
 C107A IS 2 MFD 660V AC  
 C107B IS .5 MFD 660V AC
- FOR ASHLAND MOTOR:  
 C107A IS 3 MFD 236V AC  
 C107B IS 1.5 MFD 236V AC
- ADD DOTTED JUMPER FOR 50 CYCLE OPERATION

Fig. 7-7A. Tape Transport Schematic



*Fig. 7-7B. Tape Transport Simplified Schematic*

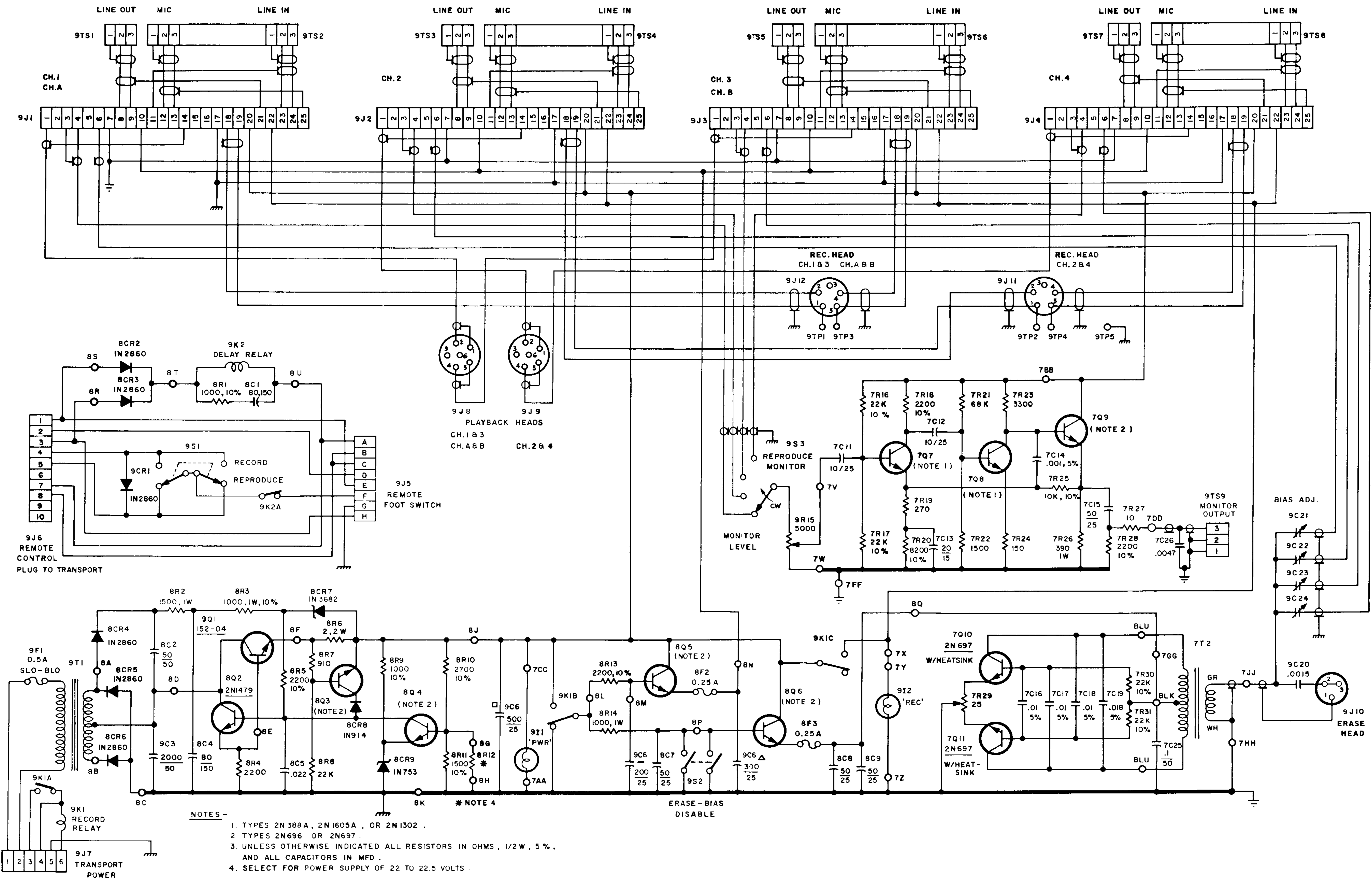
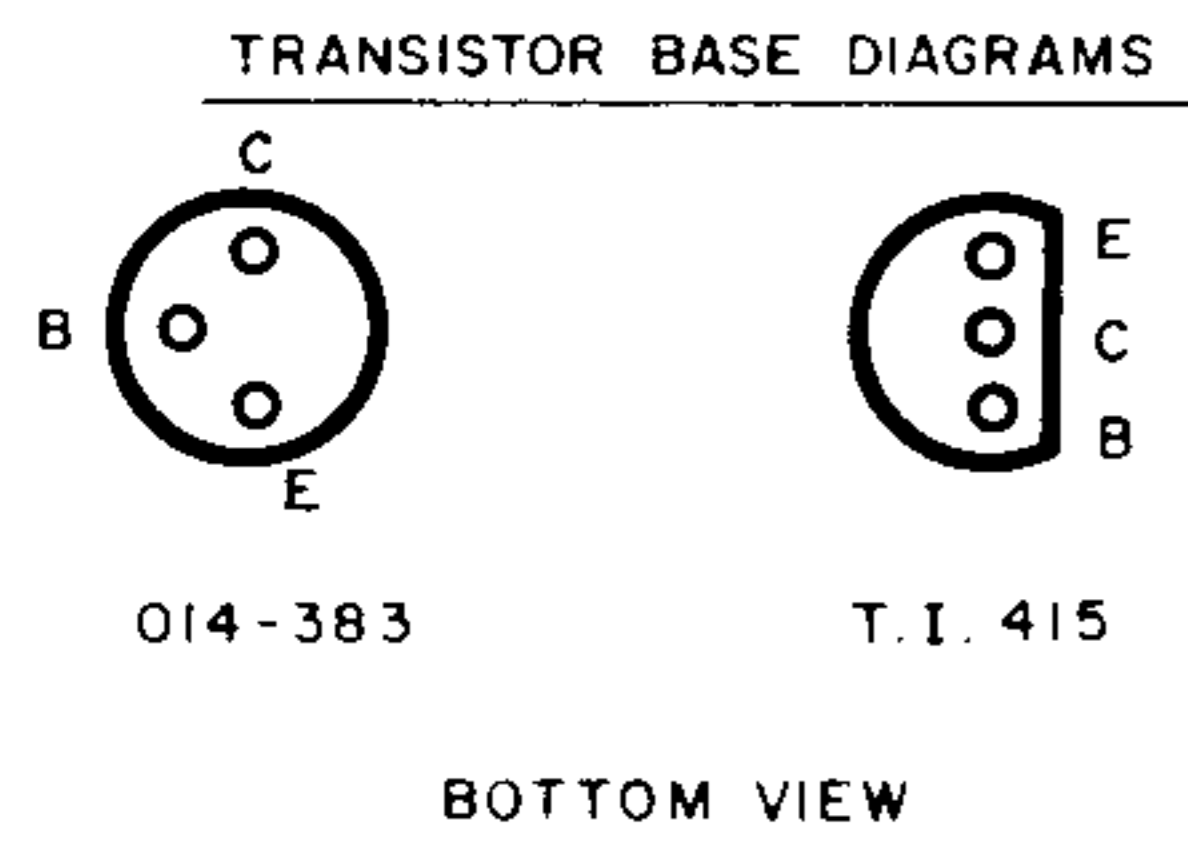
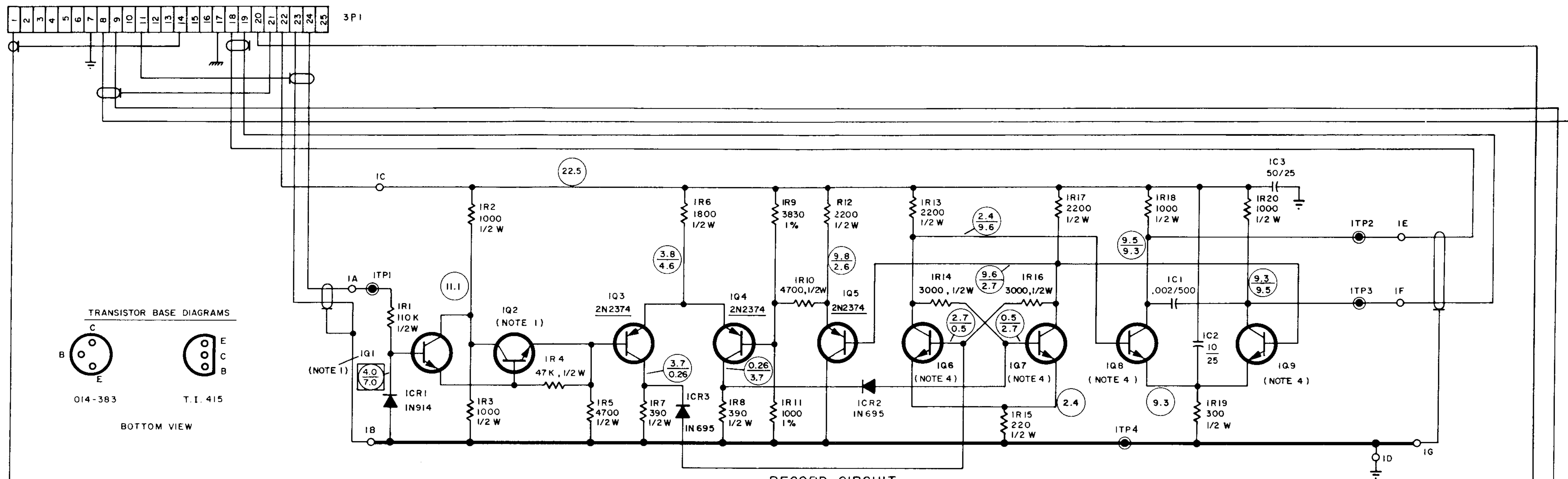
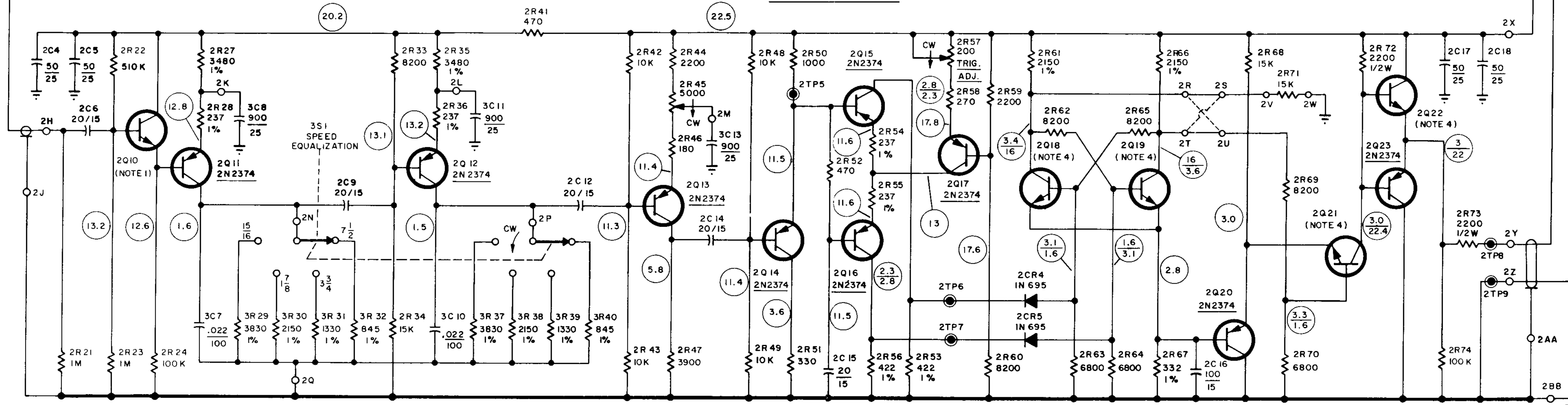


Fig. 7-8. Electronic Tray Schematic





RECORD CIRCUIT

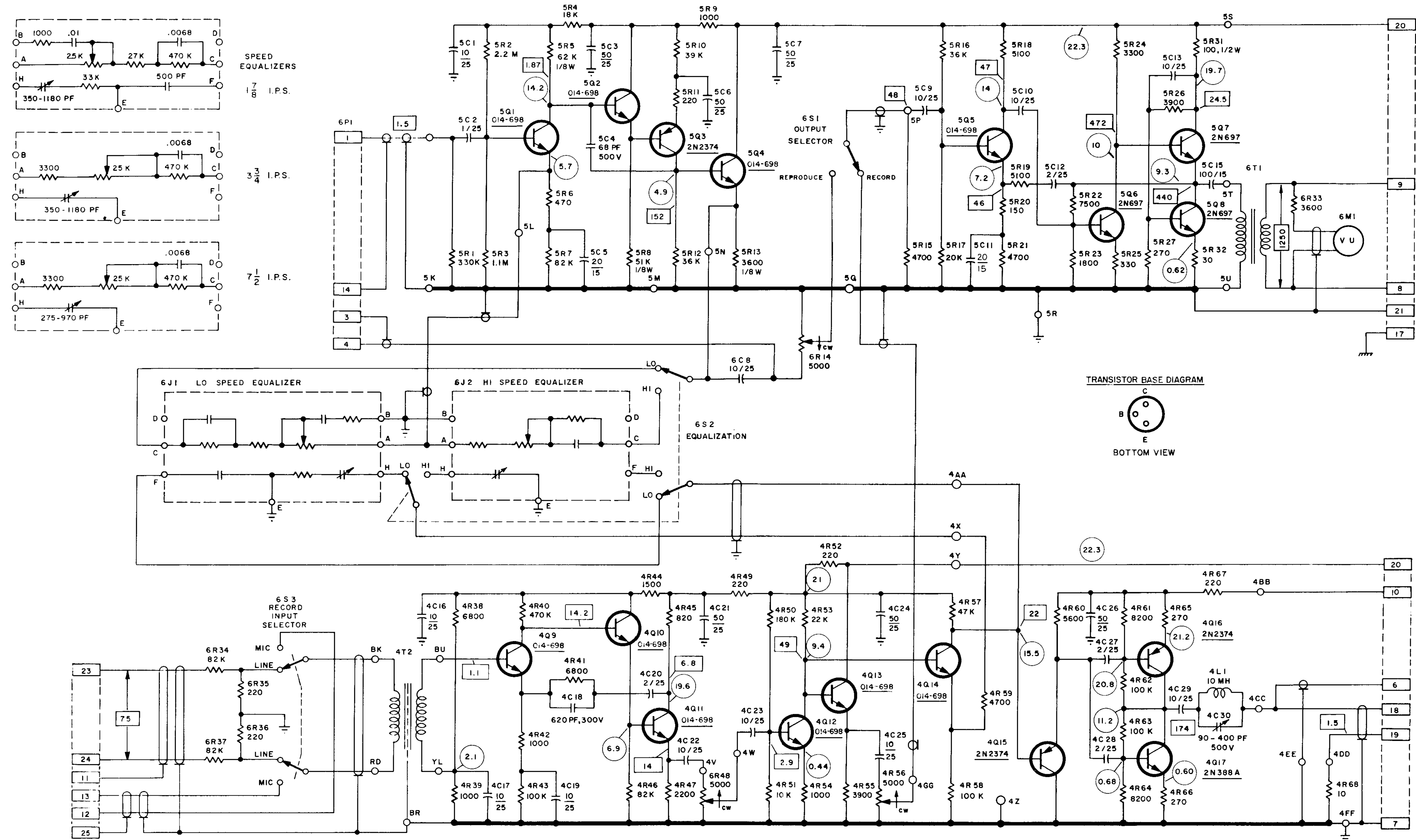


REPRODUCE CIRCUIT

- NOTES -
1. AMPEX 014-383 OR T.I. 415
  2. UNLESS OTHERWISE NOTED, ALL RESISTORS ARE 1/4 W, 5%. ALL CAPACITORS IN MFD AT INDICATED VOLTAGES.
  3. ○ INDICATES TERMINALS ON P.C. BOARDS.  
● INDICATES TESTPOINTS ACCESSIBLE FROM OUTSIDE THE MODULE.  
○ INDICATES D.C. VOLTAGE. SEPARATE VOLTAGES MAY BE GIVEN WHICH DEPEND ON THE "STATE" OF THE OUTPUT.
- THE VOLTAGES ON Q15, Q16, AND Q17 WILL VARY AS THE "TRIG. ADJ." (R57) IS ADJUSTED.
- INDICATES RECORD INPUT VOLTAGE FOR CORRESPOND. D.C. VOLTAGE READINGS.
4. TYPE 2N388A, 2N1605A, OR 2N1302.

Fig. 7-9. Digital Module Schematic





- NOTES -
1. UNLESS OTHERWISE INDICATED, ALL RESISTORS IN OHMS, 1/4 W, 5%. ALL CAPACITORS IN MFD AT INDICATED VOLTAGE.
  2. ○ INDICATES DC VOLTS TO GROUND, MEASURED WITH A 20,000 OHMS /VOLT METER.
  3. □ INDICATES RMS MILLIVOLTS TO GROUND OR OTHER LINE AS INDICATED AT 500 cps WITH 7 1/2 I.P.S. SPEED EQUALIZER IN USE.

4. COMPONENT LOCATION IS INDICATED BY FIRST DIGIT OF SCHEMATIC REFERENCE NUMBER:
  1. NRZ RECORD PW BOARD
  2. NRZ REPRODUCE PW BOARD
  3. NRZ MODULE FRONT PANEL
  4. AUDIO RECORD PW BOARD
  5. AUDIO REPRODUCE PW BOARD
  6. AUDIO MODULE FRONT PANEL
  7. ERASE-MONITOR PW BOARD
  8. POWER SUPPLY PW BOARD.
  9. REAR COMPARTMENT
5. FOR FIELD SERVICE ONLY: 5Q1, 5Q2, 5Q4, 5Q5, 4Q9, 4Q10, 4Q11, 4Q12, 4Q13 & 4Q14. MAY USE 2N3565 OR 2N3117.

Fig. 7-10. Audio Module Schematic