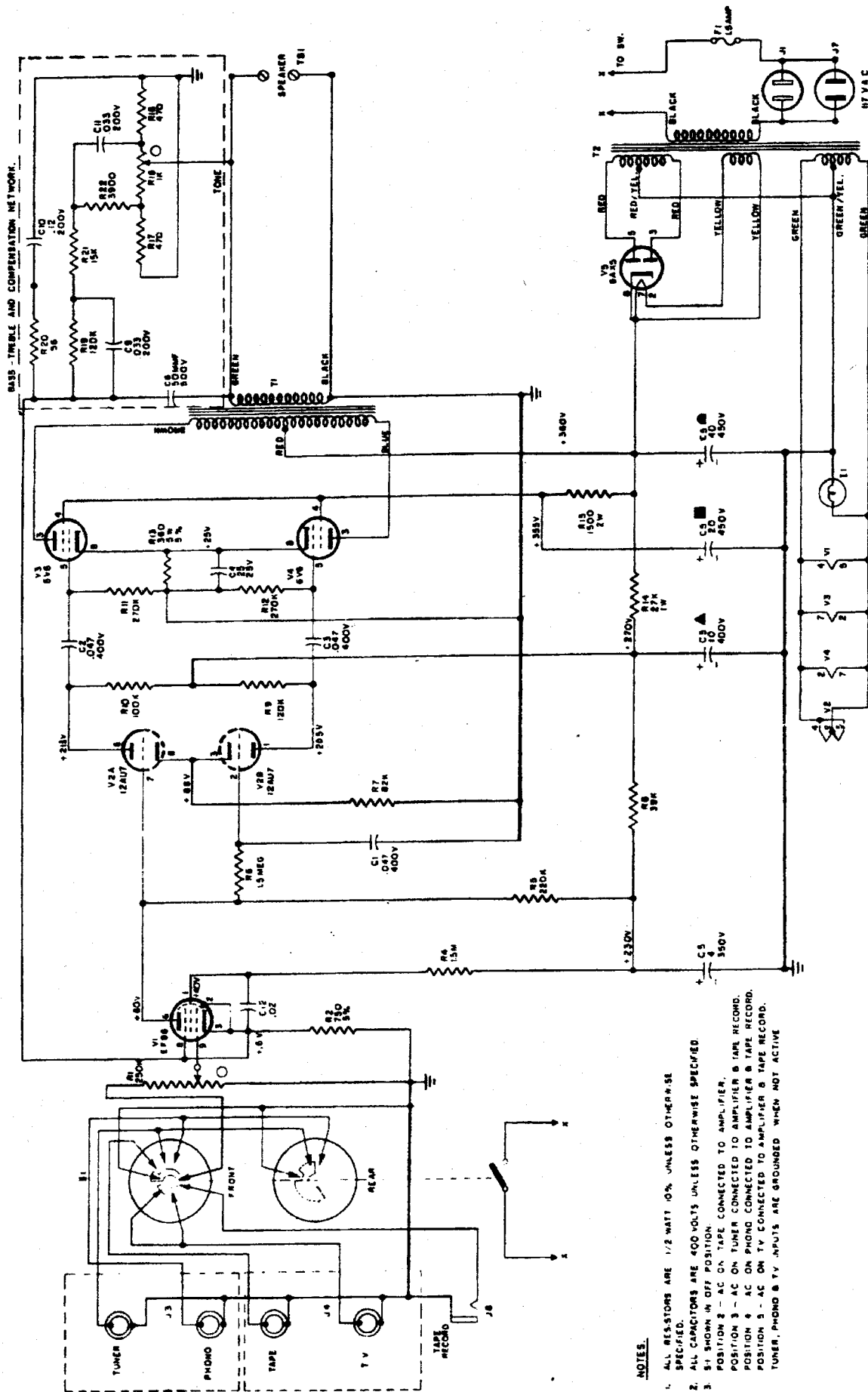


2010/2012



NOTES

1. ALL RESISTORS ARE 1/2 WATT 10% UNLESS OTHERWISE SPECIFIED.
2. ALL CAPACITORS ARE 400 VOLTS UNLESS OTHERWISE SPECIFIED.
3. S1 SHOWN IN OFF POSITION.
 POSITION 2 - AC ON TAPES CONNECTED TO AMPLIFIER & TAPES RECORD.
 POSITION 3 - AC ON PHONO CONNECTED TO AMPLIFIER & TAPES RECORD.
 POSITION 4 - AC ON PHONO CONNECTED TO AMPLIFIER & TAPES RECORD.
 POSITION 5 - AC ON TV CONNECTED TO AMPLIFIER & TAPES RECORD.
 TUNER, PHONO & TV INPUTS ARE GROUNDING WHEN NOT ACTIVE.