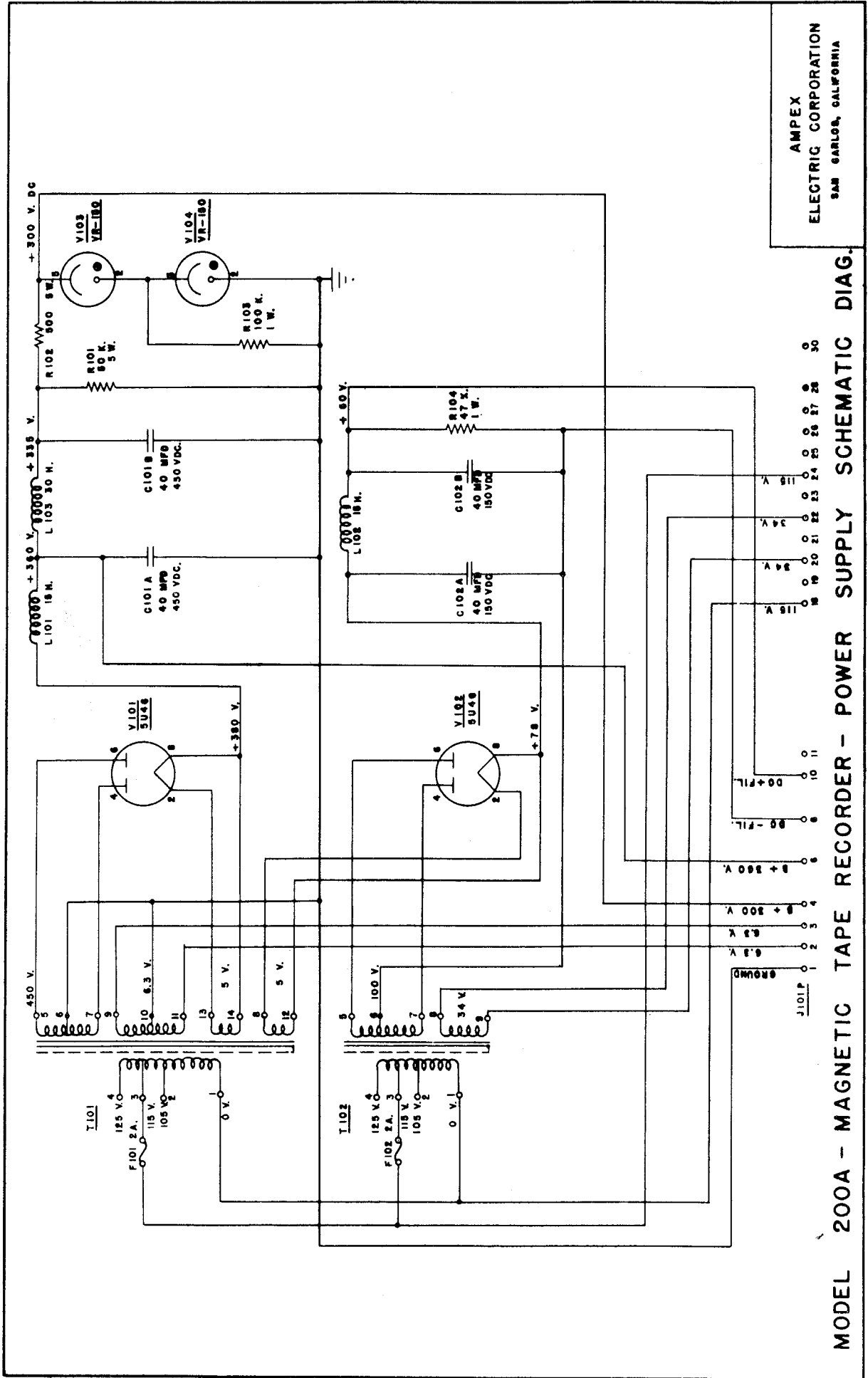


ALTEC SERVICE CORPORATION
AMPEX TAPE RECORDERS
MANUAL FOR SERVICING

Section I-2

DRAWINGS ON MODEL 200 RECORDER

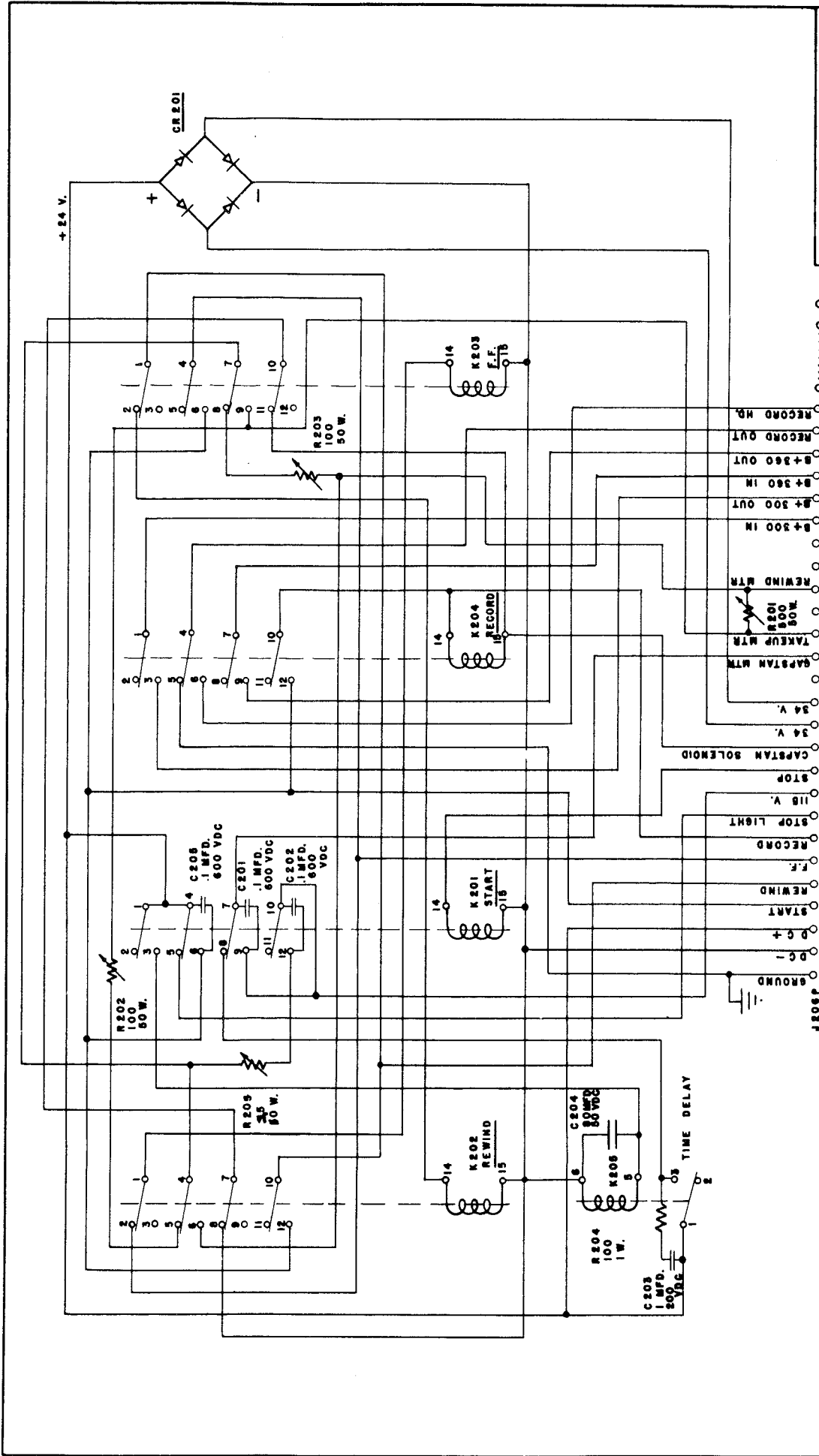


AMPEX
ELECTRIC CORPORATION
SAN CARLOS, CALIFORNIA

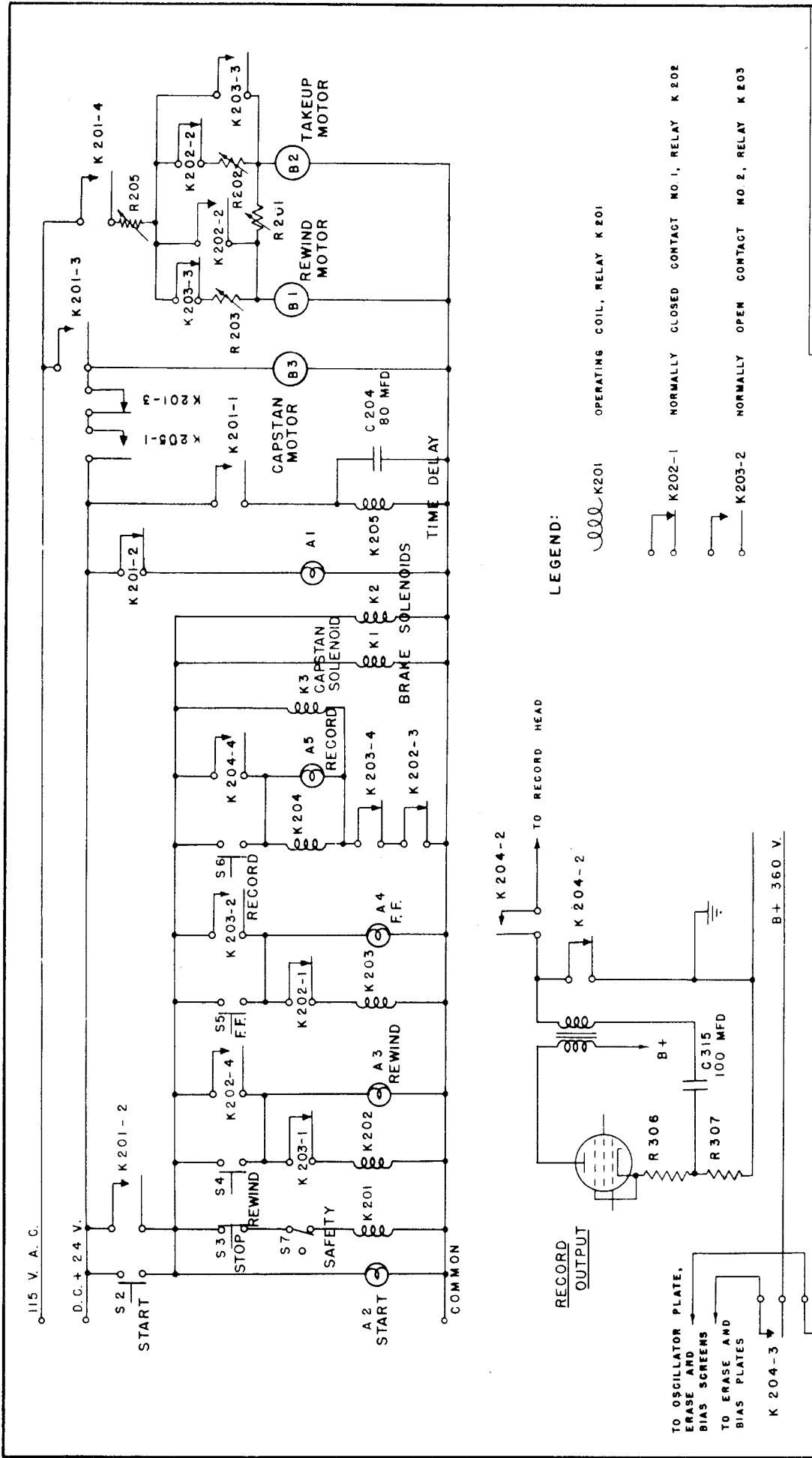
MODEL 200A - MAGNETIC TAPE RECORDER - POWER SUPPLY SCHEMATIC DIAG.

1101P 1 2 3 4 5 6 7 8 9 10 11
 00-FIL 80-FIL
 380 V 300 V
 240 V 200 V
 100 V 78 V 60 V
 11 10 9 8 7 6 5 4 3 2 1

AMPEX
ELECTRIC CORPORATION
SAN CARLOS, CALIFORNIA



MODEL 200A - MAGNETIC TAPE RECORDER-RELAY CHASSIS SCHEMATIC DIAG.



LEGEND:

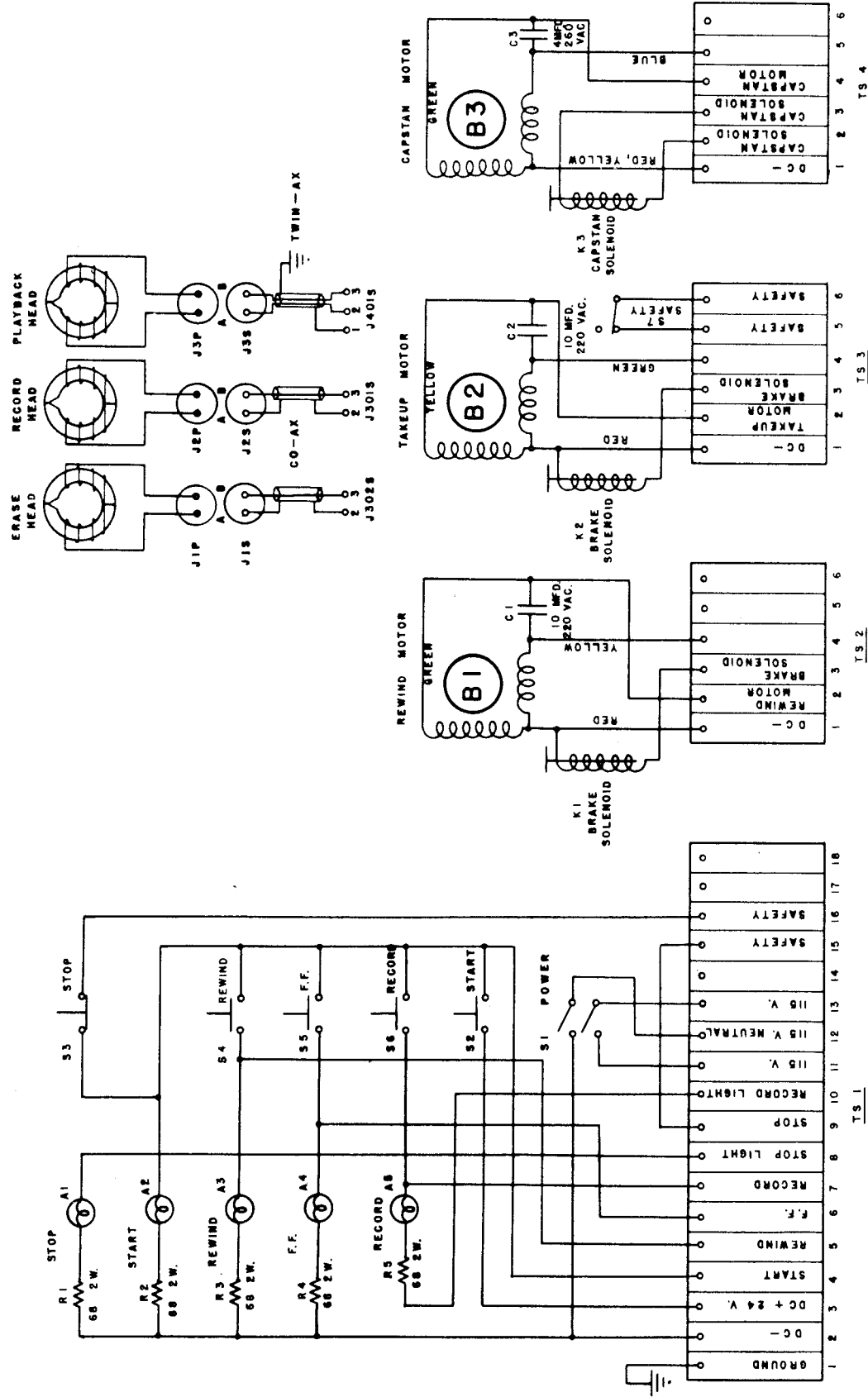
OPERATING COIL, RELAY K201

NORMALLY CLOSED CONTACT NO. 1, RELAY K202

NORMALLY OPEN CONTACT NO. 2, RELAY K203

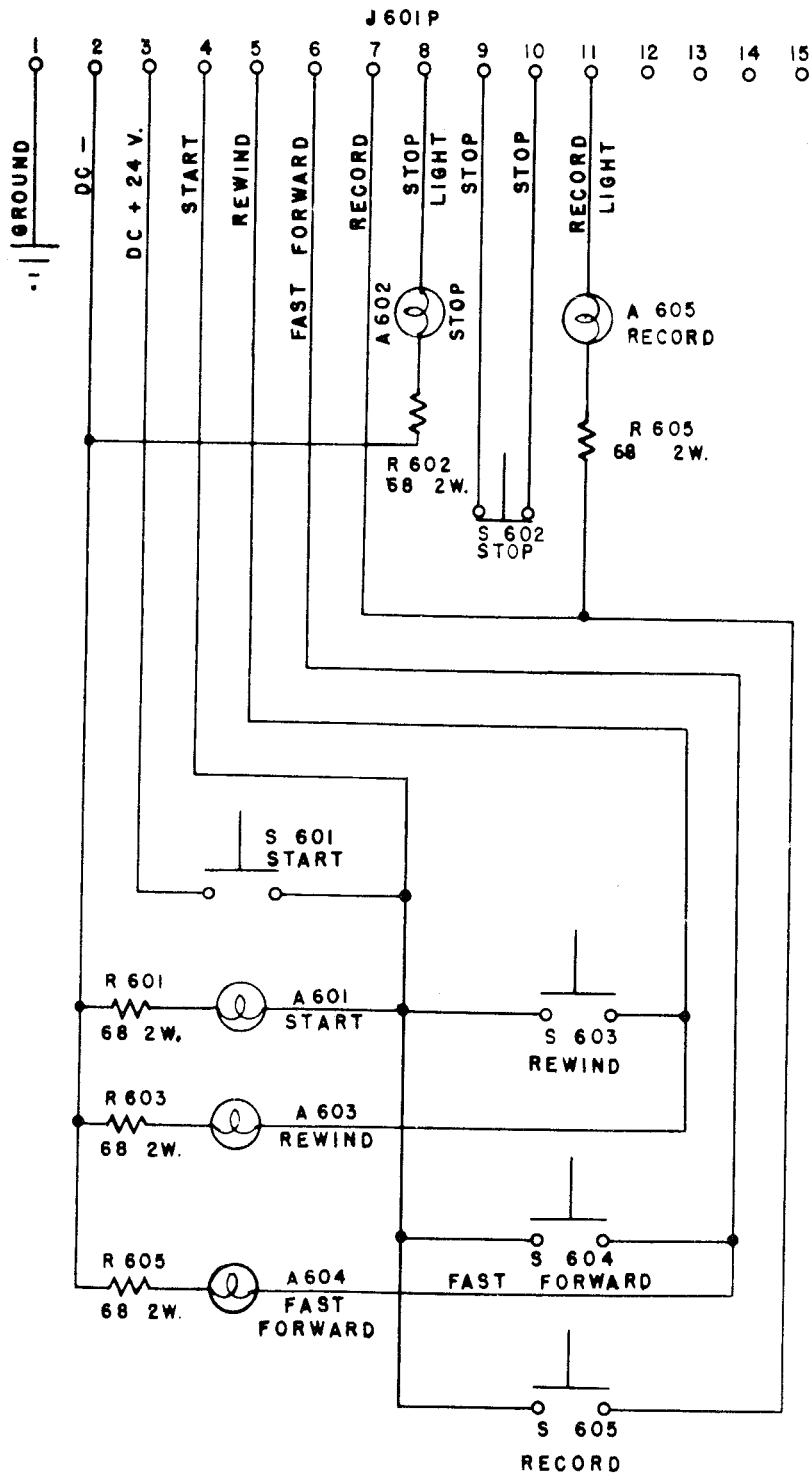
MODEL 200A - MAGNETIC TAPE RECORDER - SCHEMATIC CONTROL DIAG.

AMPEX
ELECTRIC CORPORATION
SAN CARLOS, CALIFORNIA



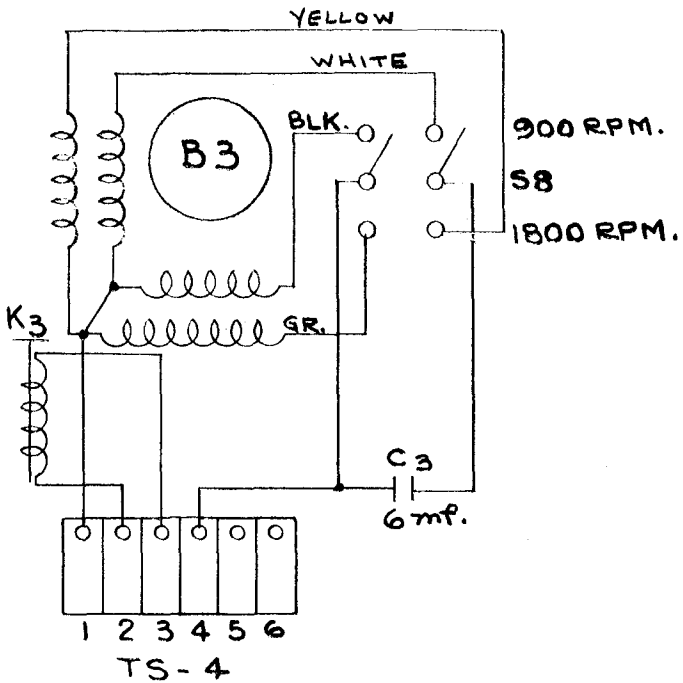
MODEL 200A - MAGNETIC TAPE RECORDER - TOP PLATE SCHEMATIC DIAG.

AMPEX
ELECTRIC CORPORATION
SAN CARLOS, CALIFORNIA

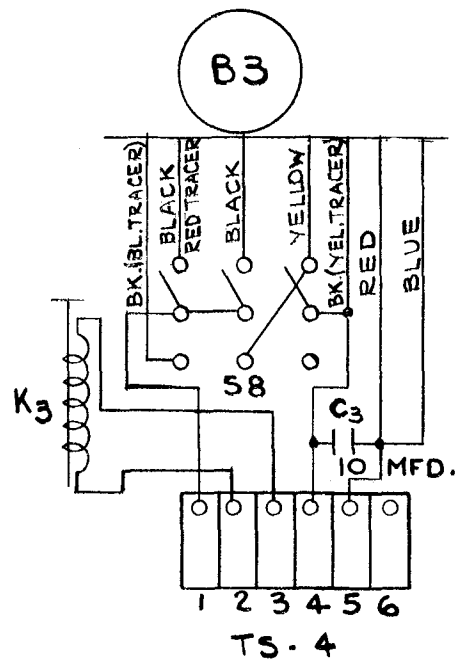


MODEL 200A
MAGNETIC TAPE RECORDER
REMOTE CONTROL PANEL

AMPEX ELECTRIC CORPORATION SAN CARLOS, CALIFORNIA



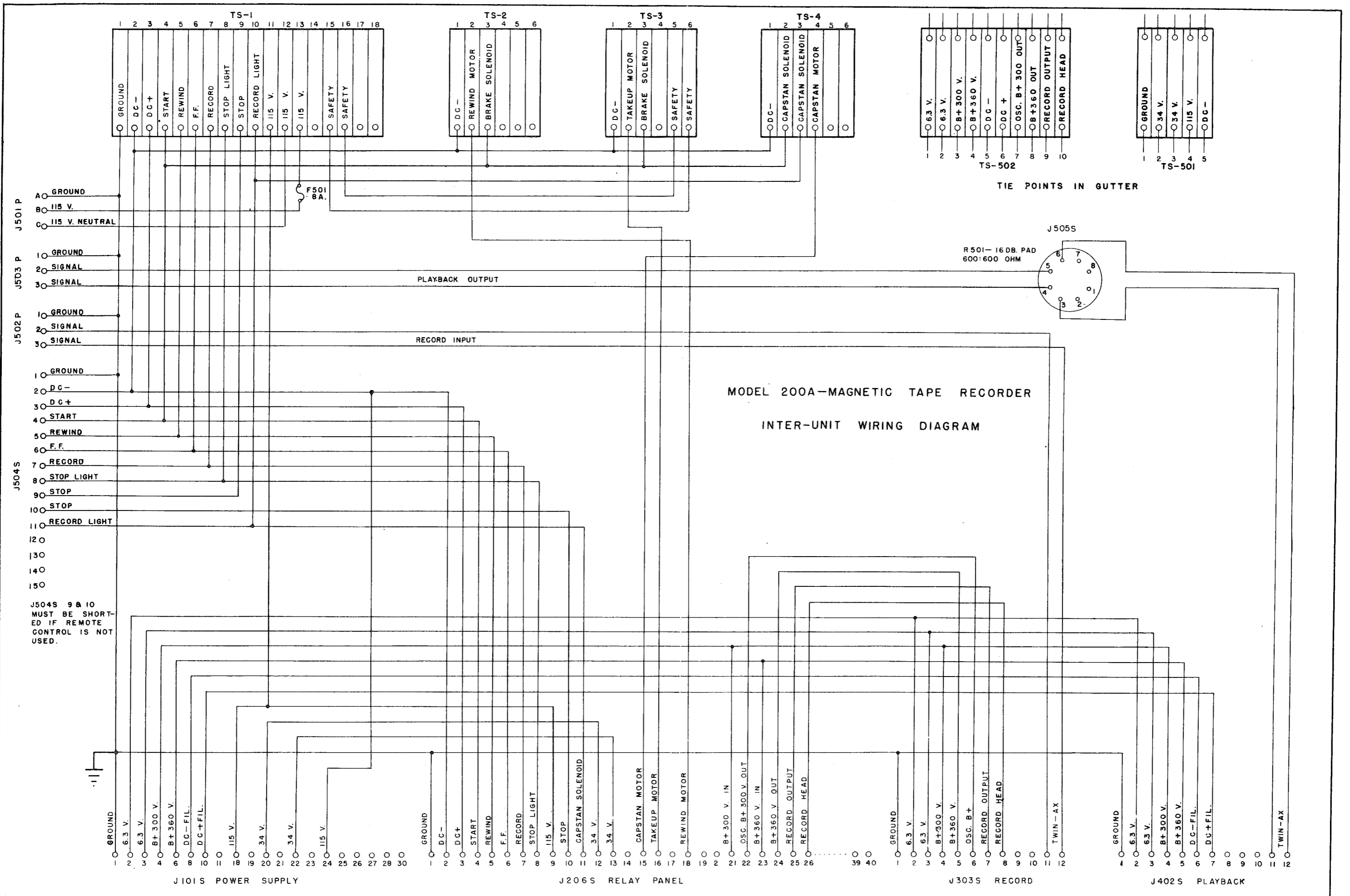
DUAL SPEED MOTOR
ELECTRICAL INDICATOR TYPE



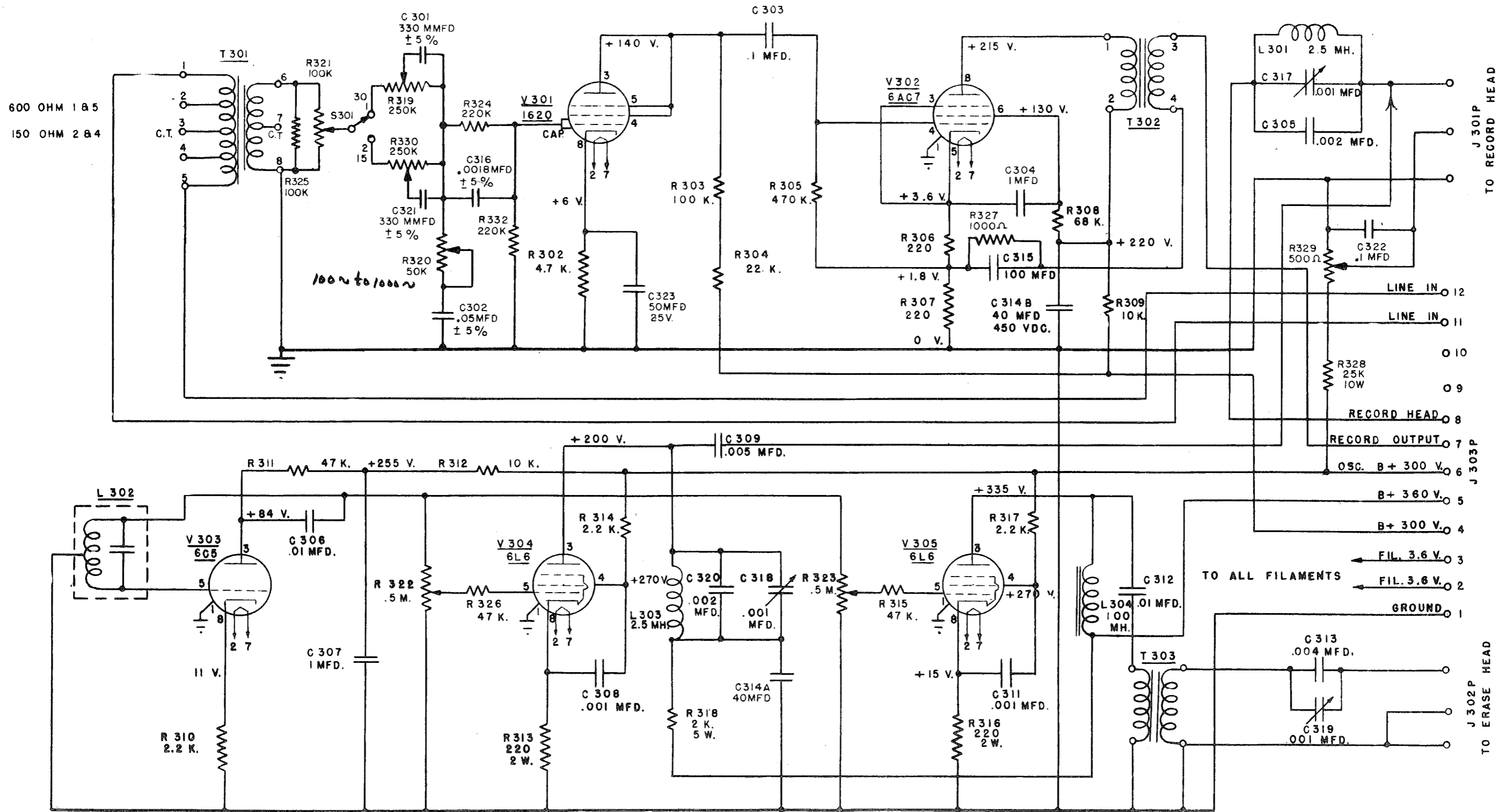
DUAL SPEED MOTOR
BODINE TYPE

ASSOC. DWG'S.

APP'D	DRAWN BY	DATE	SCHEMATIC	
			DUAL SPEED DRIVE MOTORS	
ISSUE	APP'D	DATE	AMPEX MODEL 200 RECORDER	
			ALTEC SERVICE CORPORATION NEW YORK	



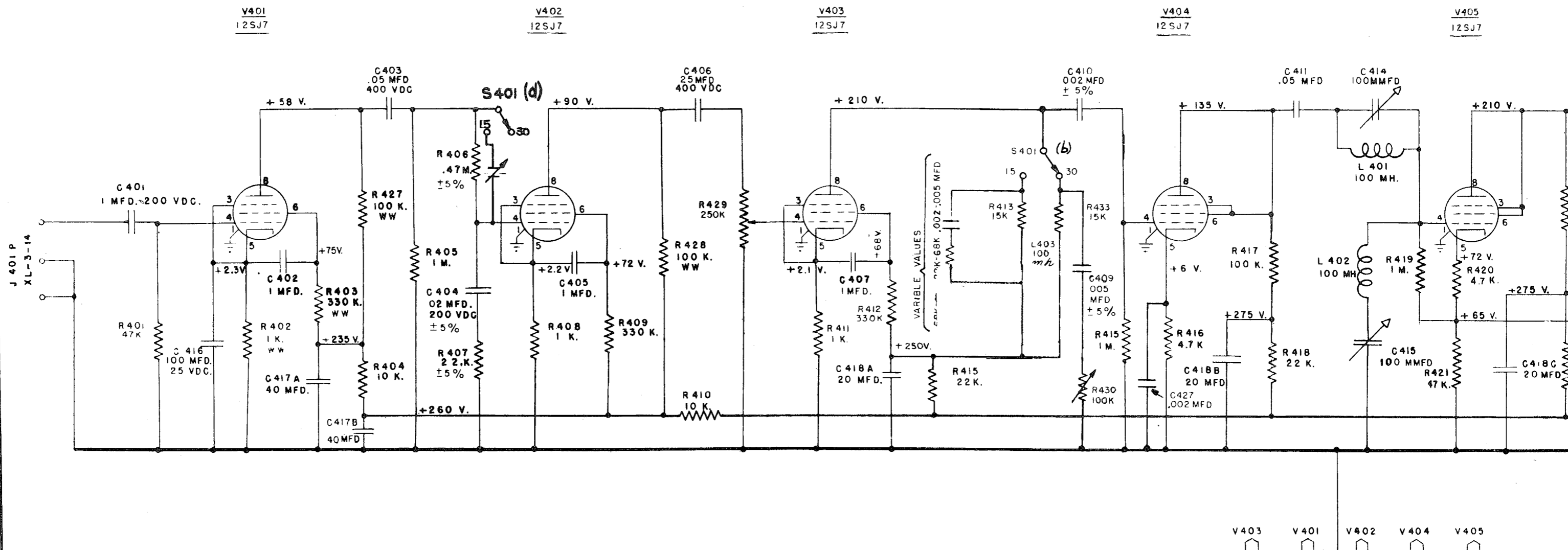
RECORD AMPLIFIER



NOTE ~
 THIS DWG. SHOWS CHANGES
 IS HOOKUP ON 200 RECORDER
 AMPLIF. WHEN 2 TAPE SPEEDS
 ARE USED.

ERASE AND BIAS AMPLIFIER
MODEL 200A-MAGNETIC TAPE RECORDER
RECORD AND OSCILLATOR CIRCUITS

AMPEX
 ELECTRIC CORPORATION
 SAN CARLOS, CALIFORNIA

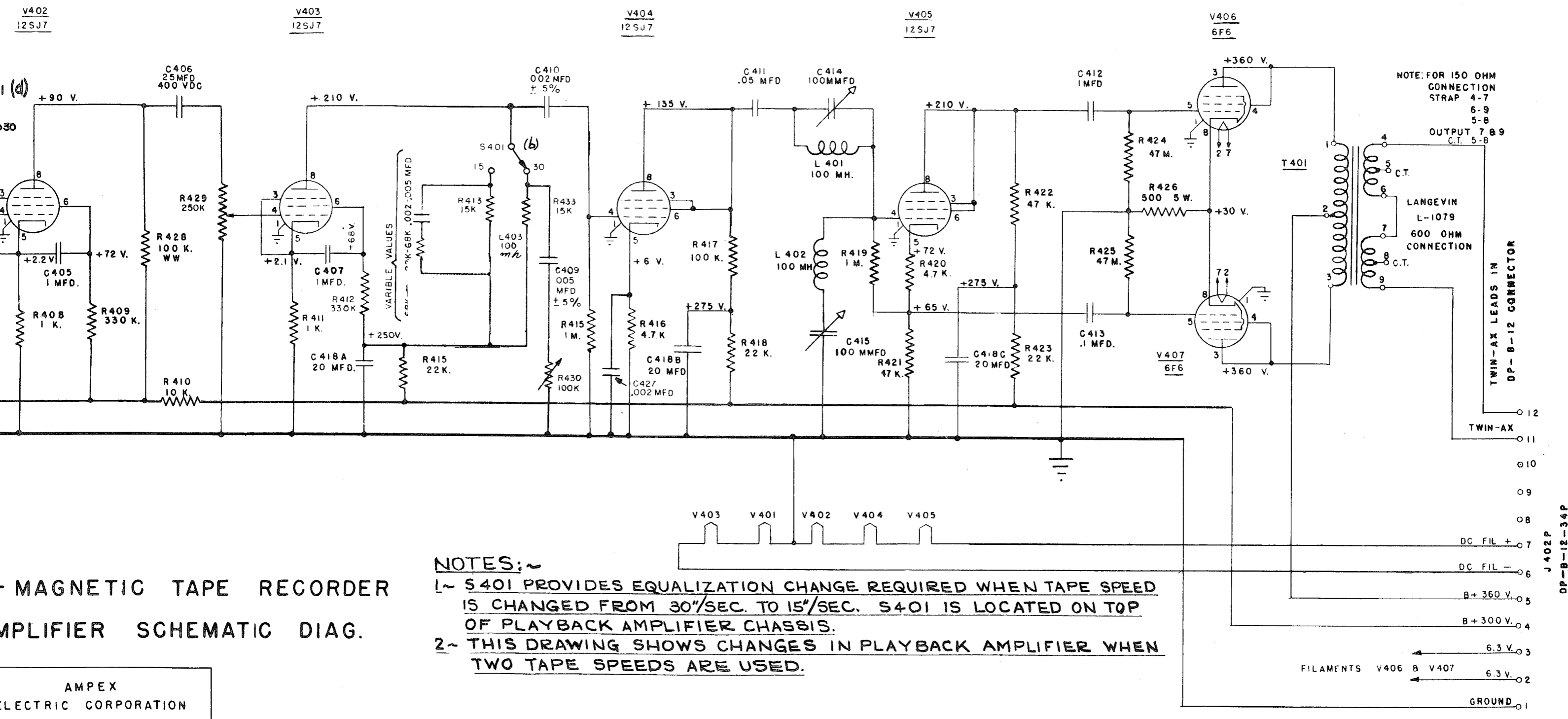


MODEL 200A-MAGNETIC TAPE RECORDER
PLAYBACK AMPLIFIER SCHEMATIC DIAG.

AMPEX
ELECTRIC CORPORATION
SAN CARLOS, CALIFORNIA

NOTES:~

- 1~ S401 PROVIDES EQUALIZATION CHANGE REQUIRED WHEN IS CHANGED FROM 30"/SEC. TO 15"/SEC. S401 IS LOCATED ON PLAYBACK AMPLIFIER CHASSIS.
- 2~ THIS DRAWING SHOWS CHANGES IN PLAYBACK AMPLIFIER WHEN TWO TAPE SPEEDS ARE USED.



NOTES:

1- S401 PROVIDES EQUALIZATION CHANGE REQUIRED WHEN TAPE SPEED IS CHANGED FROM 30"/SEC. TO 15"/SEC. S401 IS LOCATED ON TOP OF PLAYBACK AMPLIFIER CHASSIS.

2- THIS DRAWING SHOWS CHANGES IN PLAYBACK AMPLIFIER WHEN TWO TAPE SPEEDS ARE USED.

MAGNETIC TAPE RECORDER
AMPLIFIER SCHEMATIC DIAG.

AMPEX
ELECTRIC CORPORATION
SAN CARLOS, CALIFORNIA

J402P
DP-8-12-34P