

# **AMC**

SERVICE MANUAL

**3025**

**3050**

INTEGRATED AMPLIFIER

# SPECIFICATIONS

Rated Power into 8/4 ohms ..... 3025 3050  
With both channels driven ..... 30/30W 45/60W

Rated T.H.D. 20Hz-20KHz ..... 0.05%

1KHz clipping power into 8/4 ohms ..... 36/36W 48/65W

## Input Sensitivity for 1W/Rated Power into 8 ohms:

High level inputs ..... 23mV/150mV

Phono input MM..... 0.5mV/2.7mV

MC..... 0.05mV/0.27mV

## Input impedance:

High level inputs ..... 20K ohms

Phono input MM/MC ..... 47K ohms/100pF

## Frequency response:

Tone bypass 20Hz-20KHz ..... +/-0.5dB

Normal 20Hz-20KHz ..... +/-1.0dB

High level inputs -3dB ..... 10Hz/60KHz

## Signal to noise ratio (ref. 1W/8 ohms):

High level inputs "A" WTD ..... 88 dB

Phono inputs "A" WTD ..... 80 dB

Separation 20Hz-20KHz ..... >65dB

## Tone control range:

Bass at 100Hz ..... +/-10dB

Treble at 10KHz ..... -8/+11dB

Overall feedback ..... 26/29dB

## OTHER

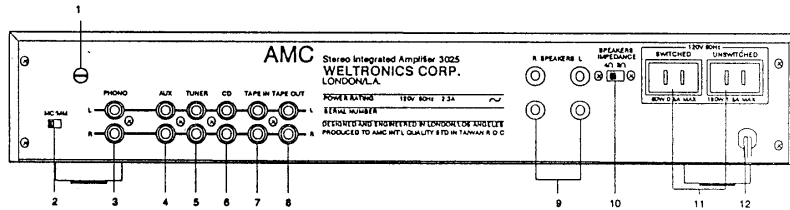
Dimensions (W x H x D) ..... 430 x 82 x 288 mm

Net weight ..... 6Kg

Shipping weight ..... 7Kg

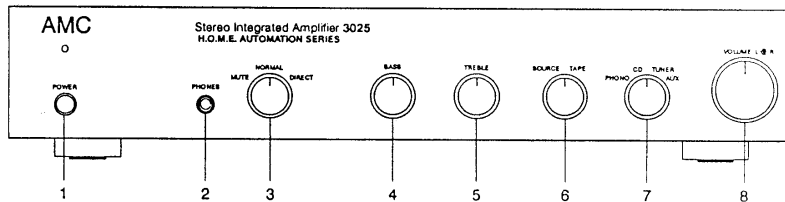
# REAR PANEL CONNECTIONS/FRONT PANEL CONTROLS

## REAR PANEL

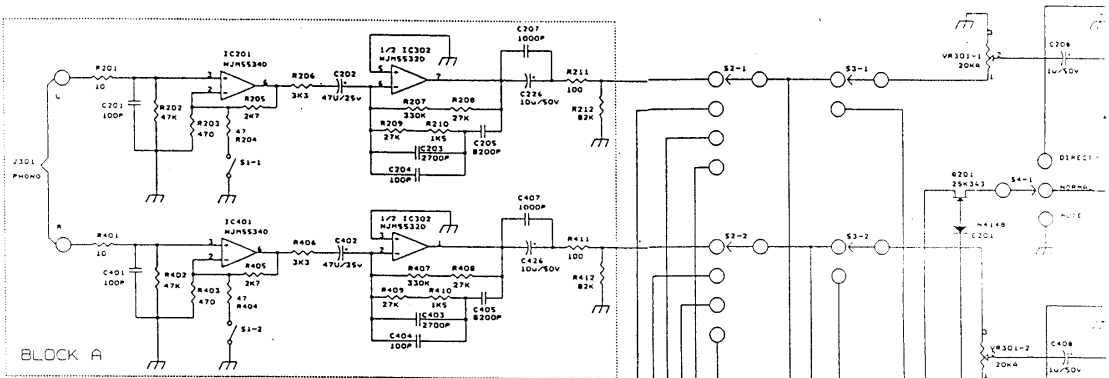


- |                                       |  |
|---------------------------------------|--|
| 1. PHONO GROUND TERMINAL              | 8. TAPE OUTPUT                                     |
| 2. PHONO MM/MC INPUT SELECTION SWITCH | 9. LOUDSPEAKER TERMINALS                           |
| 3. PHONO INPUT                        | 10. SPEAKER IMPEDANCE SELECTION SWITCH (3025 only) |
| 4. AUX INPUT                          | 11. AC CONVENIENCE OUTLETS (120V Version only)     |
| 5. TUNER INPUT                        | 12. AC LINE CORD                                   |
| 6. CD INPUT                           |  |
| 7. TAPE INPUT                         |  |

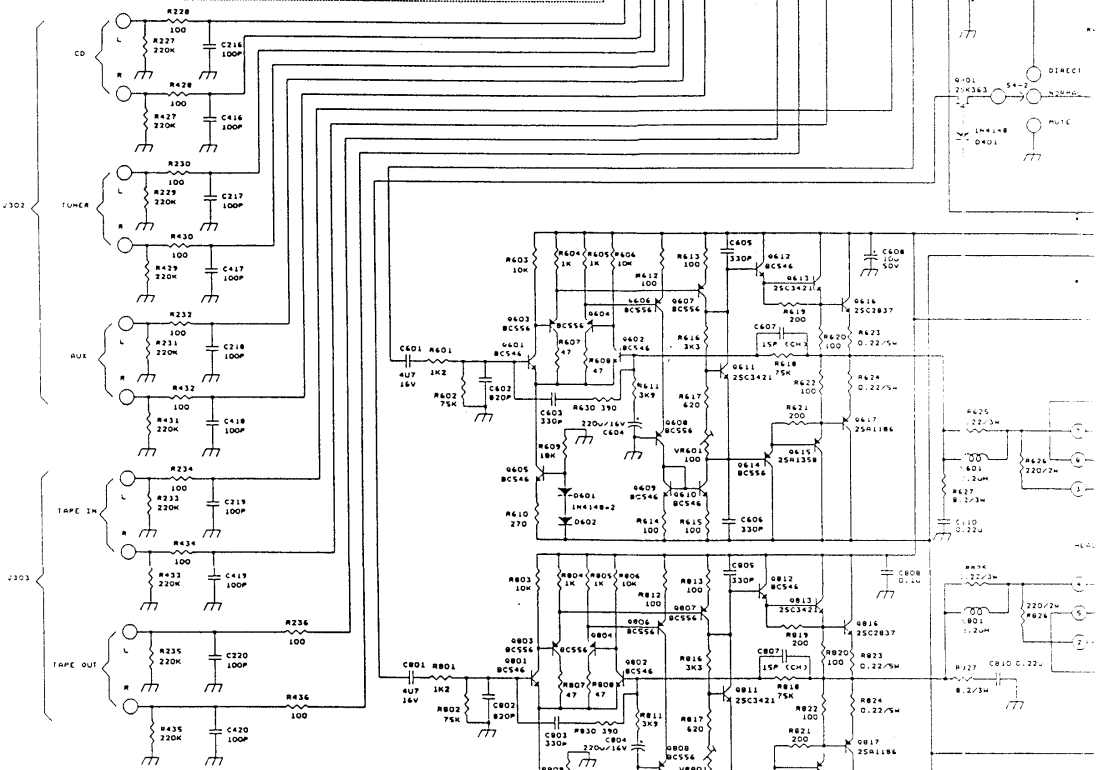
## FRONT PANEL



- |                              |                           |
|------------------------------|---------------------------|
| 1. POWER SWITCH              | 5. TREBLE CONTROL         |
| 2. PHONES                    | 6. TAPE MONITOR SWITCH    |
| 3. MUTE/NORMAL/DIRECT SWITCH | 7. INPUT SELECTION SWITCH |
| 4. BASS CONTROL              | 8. VOLUME CONTROL         |



BLOCK A



△ USE ONLY REPLACEMENT PARTS THAT HAVE THE CRITICAL CHARACTERISTICS RECOMMENDED BY MANUFACTURER.

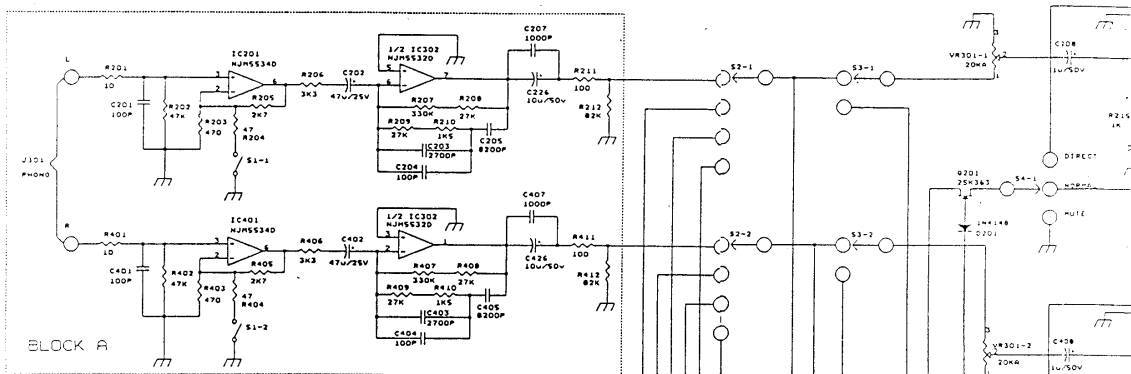
WARNING:  
AFTER SERVICING CHECK RESISTANCE FROM PC PLUG BLOBS TO ALL EXPOSED METALLIC SURFACES WITH AN OHM METER FOR INITIALS BEFORE RETURNING SERVICED UNIT TO CUSTOMER.

P.S.: BLOCK B WILL REPLACE BLOCK A ON P25B.

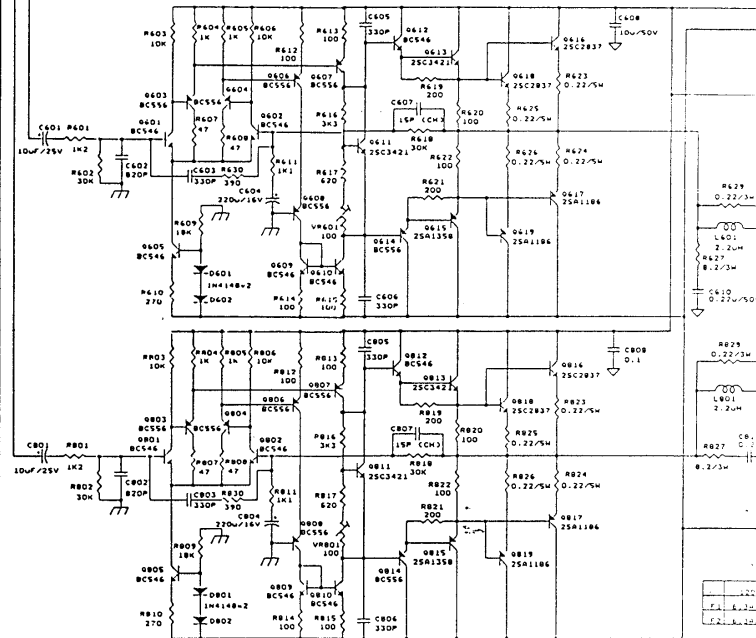
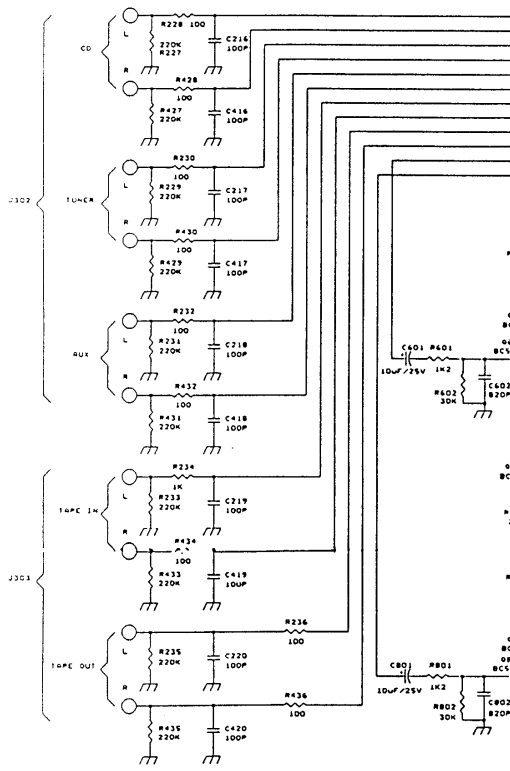
3025

220K	220K
100K	100K
100K	100K
100K	100K





BLOCK A



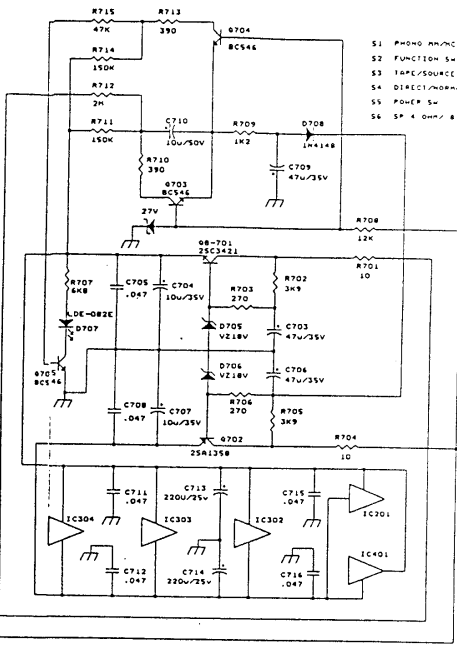
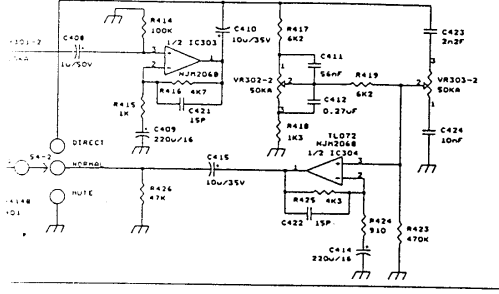
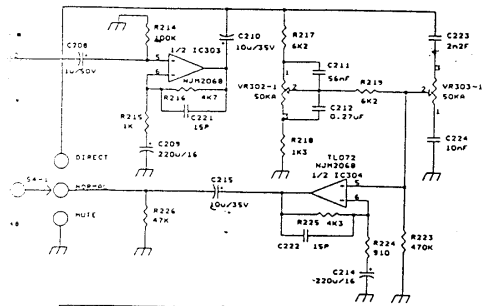
▲ USE ONLY REPLACEMENT PARTS THAT HAVE THE CRITICAL CHARACTERISTICS RECOMMENDED BY MANUFACTURER.

WARNING:  
AFTER SERVICING CHECK RESISTANCE FROM IC PLUG BLOCKS TO ALL EXPOSED METALLIC SURFACES WITH AN OHM METER FOR INFINITY BEFORE RETURNING SERVICED UNIT TO CUSTOMER.

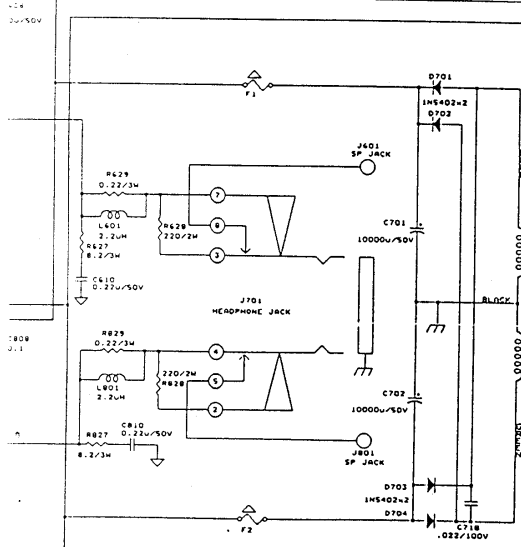
P.S.: BLOCK B WILL REPLACE BLOCK A ON P50B.

3050

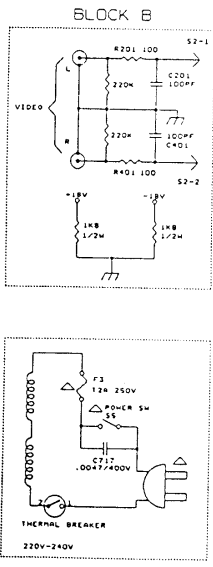
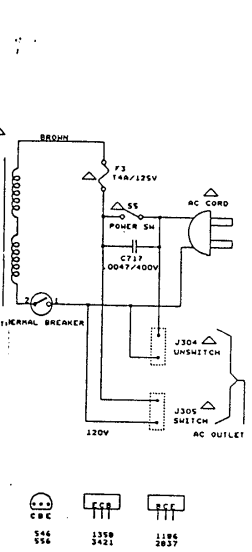
R204	10K
R208	10K
R211	100
R212	82K
R226	1K
R229	0.22/5W
R230	0.22/5W
R231	2.2/4
R232	0.2/5W
R233	0.2/5W
R234	0.2/5W
R235	0.2/5W
R236	0.2/5W
R237	0.2/5W
R238	0.2/5W
R239	0.22/5W
R240	0.22/5W
R241	0.22/5W
R242	0.22/5W
R243	0.22/5W
R244	0.22/5W
R245	0.22/5W
R246	0.22/5W
R247	0.22/5W
R248	0.22/5W
R249	0.22/5W
R250	0.22/5W
R251	0.22/5W
R252	0.22/5W
R253	0.22/5W
R254	0.22/5W
R255	0.22/5W
R256	0.22/5W
R257	0.22/5W
R258	0.22/5W
R259	0.22/5W
R260	0.22/5W
R261	0.22/5W
R262	0.22/5W
R263	0.22/5W
R264	0.22/5W
R265	0.22/5W
R266	0.22/5W
R267	0.22/5W
R268	0.22/5W
R269	0.22/5W
R270	0.22/5W
R271	0.22/5W
R272	0.22/5W
R273	0.22/5W
R274	0.22/5W
R275	0.22/5W
R276	0.22/5W
R277	0.22/5W
R278	0.22/5W
R279	0.22/5W
R280	0.22/5W
R281	0.22/5W
R282	0.22/5W
R283	0.22/5W
R284	0.22/5W
R285	0.22/5W
R286	0.22/5W
R287	0.22/5W
R288	0.22/5W
R289	0.22/5W
R290	0.22/5W
R291	0.22/5W
R292	0.22/5W
R293	0.22/5W
R294	0.22/5W
R295	0.22/5W
R296	0.22/5W
R297	0.22/5W
R298	0.22/5W
R299	0.22/5W
R300	0.22/5W



- S1 PHONO MMFC SELECT SW
- S2 FUNCTION SW (PHONO, CD, TUNER, AUX)
- S3 TAPE SOURCE SELECT SW
- S4 DIRECT/NORMAL/MUTE SELECT SW
- S5 POWER SW
- S6 SP 4 OHM & 8 OHM SELECT



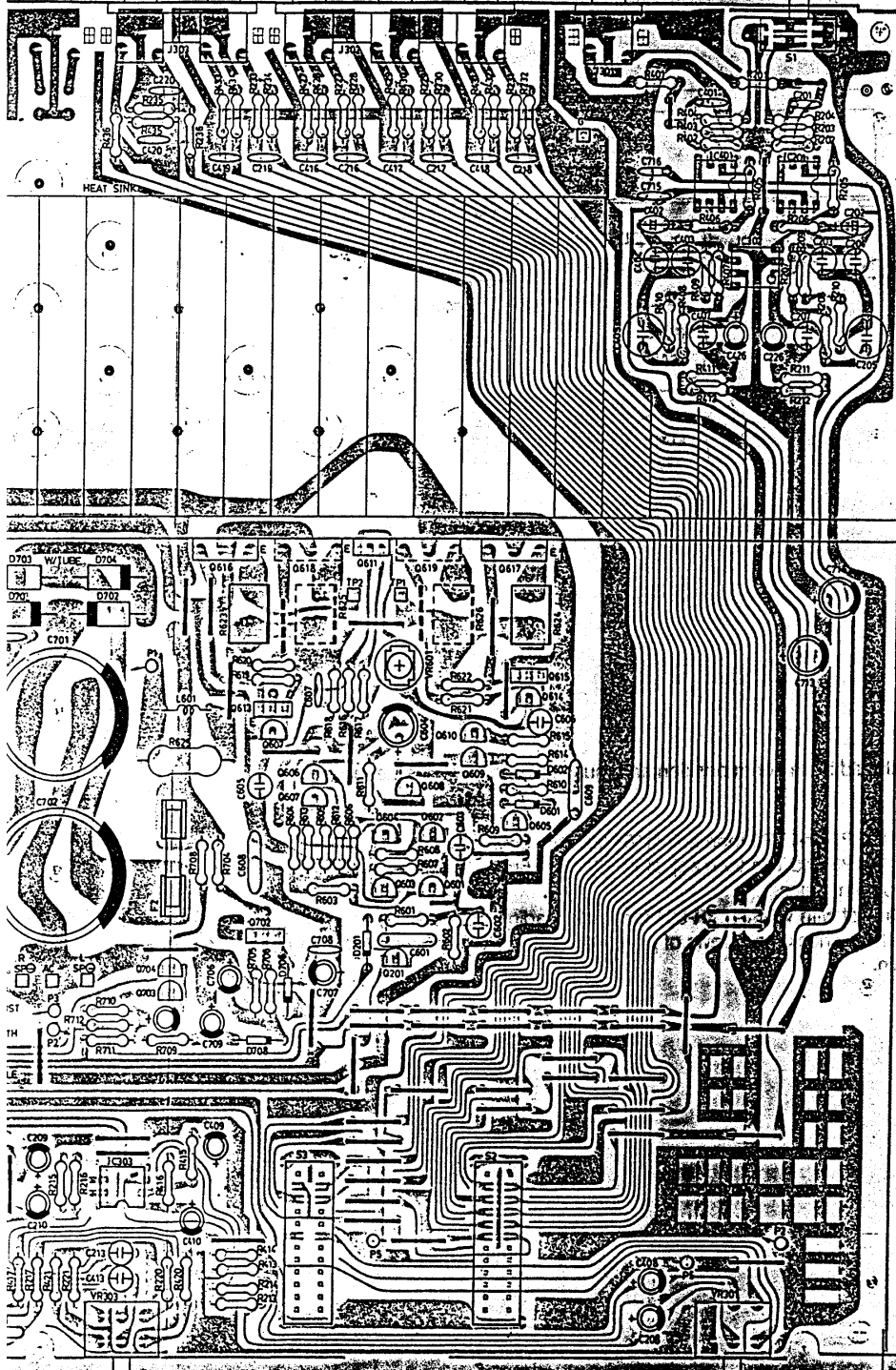
	120V	220V/240V
F1	1.3A/250V	1.3A/250V
F2	1.3A/250V	1.3A/250V



2077







802A  
MAIN PCB1702/03/04

AMC 3025 SERVICE PARTS LIST

PARTS NO.	DESCRIPTION	SPECIFICATION
21-4074	PACKING ASS'Y	
34-1060	OWNERS MANUAL	3025/3050
CT-5264	POLYLONE (T50)	
CT-5264	INNER CARTON	AMC NEW STD.
CT-5265	SHIPPING CARTON	AMC NEW STD.
11-11248*A	CHASSIS ASS'Y	
11-5066	TOP COVER	
11-6121	HEAT SINK	
11-6124	CONTROL PANEL	
11-6124	BOTTOM PLATE	
11-6125	RIGHT PANEL	
11-6126	LEFT PANEL	
11-8394	FRONT PANEL	
11-8496-1	REAR PANEL	120V A1 VERSION
11-8496-2	REAR PANEL	230V EC VERSION
13-8227B	POWER KNOB BUSHION	
12-2134*A	BINDING POST BLK.	BLACK
12-2133*A	BINDING POST RD	RED
12-3152GN	POWER BUTTON	GREEN
12-3149	VOLUME KNOB A	
28-1049-3	CUSHION A	FOR VOLUME KNOB A
12-3150	VOLUME KNOB B	
28-1049-2	CUSHION B	FOR VOLUME KNOB B
12-3151	ROTARY KNOB	
28-1049-1	CUSHION	FOR ROTARY KNOB
28-1046-1B	FOOT A	
28-1046-2B	FOOT B	
29-2130	POWER X'FORMER	PT-1210T UL/CSA 115V/230V AC B/A1
30-1115	CSL300G10T	LED LAMP GREEN 3mm DIA.
31-1213	POWER SH	SDDL810170-EK 1N 5407
31-1243	SLIDE-SH	78-2285-N-5Z
30-1218VJ	POWER AMP PCB ASS'Y	
30-546B	DIODE ZENER	DIODE ZENER 18V 1/2W TAP.
30-556B	TRANSISTOR	TR. BC546B PHILIPH TYPE
12-2154	PHONO JACK	TR. BC556B PHILIPH TYPE
12-2155	TAPE JACK	CPS-052 2 P RCA JACK
12-2158	FUNCTION JACK	CPS-054 4 P RCA JACK
13-3047	HEAD PHONO JACK	6P(2P G) RCA JACK
16-2AN221J-M	RES.METAL OXIDE	JY-6306-02-070
16-3AN2R2JH-M	RES.METAL OXIDE	220 2W, +-5%
16-58R22J	CEMENT WIDE MOUNDRESISTOR	0.22 3W, +-5%
17-5EG688M	CAP.EL. 25x50mm	0.22 5W, +-5%
29-4197	COIL	6800UF/50V +-20% Pa10mm
29-4165-2	VOLUME VR	RK16312AA055-EK 50KAx2
29-1110	COIL	RK16122B0R76-EK 20KAx2
29-4171-1	SEMI VR 5x5mm	0.8mmx2B 1/2T 2.2uh
30-1N5402	DIODE REGULATOR	RH0615C10100-EK
30-2SA1358-Y	TRANSISTOR DRIVER	DIODE 1N5402 200V/3A TAP.
30-2SA1186	TRANSISTOR POWER	TR. 2SA1358-Y
39-2SC2837	TRANSISTOR	TR. 2SA1186Y+M1CA
30-2SC3421-Y	TRANSISTOR DRIVER	TR. 2SA2837Y+M1CA
30-JRC5532	IC. O.P. AMP.	TR. 2SA3421-Y
30-JRC5534	IC. O.P. AMP.	IC. JRC5532
30-2SK363GR	FET	IC. JRC5534
30-TL072C	IC. O.P. AMP	TR. 2SK363GR
31-1212-1	PHONO SELECT SW	IC. TL072C
31-1241	TAPE IN/OUT SW	SLIDE-SH SSP-2209-MP-7S
31-1247	NOR/DIR SW	SRRZ542N27-EK
31-1249	FUNCTION SW	SRRZ543N24-EK
32S12504K0TS	FUSE 5x20mm TIME-LAG	SRRZ544N11-EK
32S12502K0TU	FUSE 5x20mm TIME-LAG	T4A/250V SEMKO EC VERSION
		2A/250V UL/CSA A1 VERSION

AMC 3050 SERVICE PARTS LIST

PARTS NO.	DESCRIPTION	SPECIFICATION
21-4074	PACKING ASS'Y	
34-1060	OWNERS MANUAL	3025/3050
CT-5264	POLYLONE	
CT-5264	INNER CARTON	AMC NEW STD.
CT-5265	SHIPPING CARTON	AMC NEW STD.
11-11248*A	CHASSIS ASS'Y	
11-8495	TOP COVER	
11-8497-1	FRONT PANEL	
11-8497-2	REAR PANEL 120V	A1 VERSION
11-8497-2	REAR PANEL 230V	EC VERSION
13-8227B	POWER KNOB BUSHION	
12-2168-2	BINDING POST BLK.	BLACK
12-2168-1	BINDING POST RD	RED
12-3152GN	POWER BUTTON	GREEN
12-3149	VOLUME KNOB A	
28-1049-3	CUSHION A	FOR VOLUME KNOB A
12-3150	VOLUME KNOB B	
28-1049-2	CUSHION B	FOR VOLUME KNOB B
12-3151	ROTARY KNOB	
28-1046-1B	FOOT A	FOR ROTARY KNOB
28-1046-2B	FOOT B	
28-2074	FOOT SPONGE	
29-2156-A	POWER X'FORMER	UL/CSA 120V AC
29-2156-C	POWER X'FORMER	SEMKO 230V AC
11-1140	COVER FOR X'FORMER	R4 90mm
13-4098	RUBBER FOR X'FORMER	G4 90mm
30-1115	CSL300G10T	LED LAMP GREEN 3mm DIA.
31-1213-1	POWER SH	SDDL810170-EK
15-2071	X'FORMER'S SCREW	M6x50mm
11-9067	X'FORMER'S NUT	M6
30-12218V	POWER AMP PCB ASS'Y	
30-12227V	DIODE ZENER	18V 1/2W TAP.
30-546B	DIODE ZENER	27V 1/2W TAP.
30-556B	TRANSISTOR	BC546B PHILIPH TYPE
12-2167-2P	TRANSISTOR	BC556B PHILIPH TYPE
12-2167-4P	RCA JACK (GOLD PLATED)	PHONO, 052GA 2P
12-2167-6P	RCA JACK (GOLD PLATED)	TAPE, 054GA 4P
13-3060-1	RCA JACK (GOLD PLATED)	FUNCTION, 056GA 6P
16-2AN221J-M	HEADPHONO JACK (GOLD)	061G 6.3oh
16-3AN2R2JH-M	RES.METAL OXIDE	220 2W, +-5%
16-58R22J	RES.METAL OXIDE	0.22 3W, +-5%
16-3AN100J	RES.METAL OXIDE	10 3W, +-5%
16-58R22J	CEMENT MOUNDRESISTOR	0.22 5W, +-5%
17-5E109M	CAP.EL. 30x45mm	10000UF/50V +-20%
29-4197	COIL	RK16312AA055-EK 50KAx2
29-4165-2	VOLUME VR	RK16122B0R76-EK 20KAx2
29-1110	COIL	0.8mmx2B 1/2T 2.2uh
29-4196-V101	SEMI VR 5x5mm	RH0681C10100-EK
30-1N5402	DIODE REGULATOR	1N5402 200V/3A TAP.
30-2SA1358-Y	TRANSISTOR DRIVER	TR. 2SA1358-Y
30-2SA1186	TRANSISTOR POWER	TR. 2SA1186Y+M1CA
39-2SC2837	TRANSISTOR	TR. 2SA2837Y+M1CA
30-2SC3421-Y	TRANSISTOR DRIVER	TR. 2SA3421-Y
30-NE5532	IC. O.P. AMP.	NE5532N
30-NE5534	IC. O.P. AMP.	NE5534N
30-2SK363GR	FET	TR. 2SK363GR
31-1212-1	PHONO SELECT SW	SLIDE-SH SSP-2209-MP-7S
31-1241	TAPE IN/OUT SW	SRRZ542N27-EK
31-1247	NOR/DIR SW	SRRZ543N24-EK
31-1249	FUNCTION SW	SRRZ544N11-EK
32S12506K3TS	FUSE, 5x20mm, T-LAG	SEMKO T6, 3A/250V EC
32S11256K3TU	FUSE, 5x20mm, T-LAG	UL/CSA 6.3A/125V A1
32S12502K0TS	FUSE, 5x20mm, T-LAG	SEMKO T2A/250V EC
32S11254K0TU	FUSE, 5x20mm, T-LAG	UL/CSA 4A/125V A1