

AMC

SERVICE MANUAL

2445

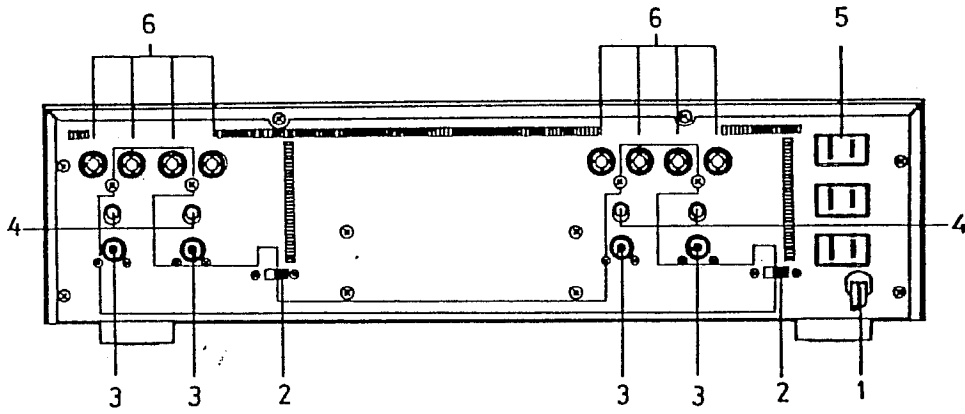
2/4 CHANNEL POWER AMPLIFIER

ONTENTS

DESCRIPTION	PAGE
REAR/FRONT PANEL VIEW	3
SPECIFICATIONS	4
WIRING DIAGRAM	5-6
SCHEMATIC DIAGRAM	7-8
PCB. LAYOUT (PARTS SIDE)	9-10
AMPLIFIER ADJUSTMENT	11
MAINS WIRING INSTRUCTION	12
PARTS LIST	13-14

REAR PANEL/FRONT PANEL VIEW

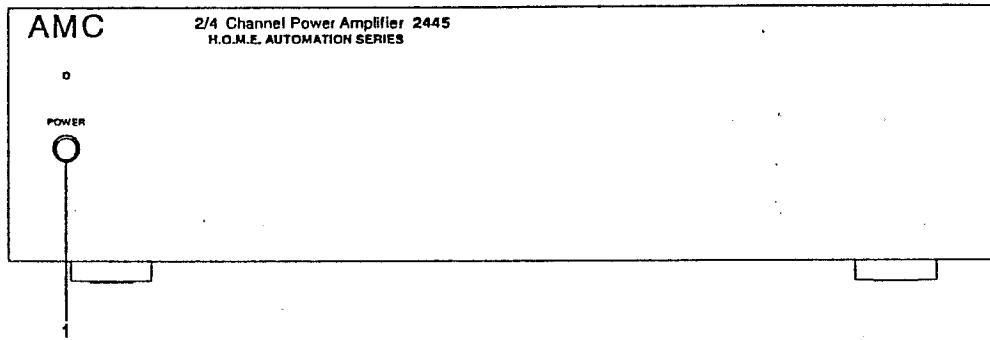
REAR PANEL



- 1. AC LINE CORD
- 2. 2CH/4CH "MODE" SWITCHES
- 3. INPUTS

- 4. INPUT LEVEL CONTROLS
- 5. CONVENIENCE AC OUTLETS
- 6. LOUDSPEAKER TERMINALS

FRONT PANEL



- 1. POWER SWITCH

SPECIFICATIONS

2 CHANNEL MODE

Power output into 8 ohms (20Hz–20KHz) 90W
With both channels driven

Rated THD.0.03%

1KHz clipping power into 8 ohms..... 100W

Damping factor..... > 100

Input sensitivity for 1W/90W into 8 ohms..... 91mV/866mV

4 CHANNEL MODE

Power output into 4 ohms (20Hz–20KHz) 45W
With all channels driven

Rated THD.0.05%

1KHz clipping power into 4 ohms..... 50W

Damping factor..... > 100

Input sensitivity for 1W/45W into 4 ohms..... 130mV/866mV

Input impedance R = 10K C = 200pf

Frequency response 20Hz–20KHz..... +/-0.5dB

"A" WTD. signal to noise ratio (ref. 1W/8 ohms) 100dB

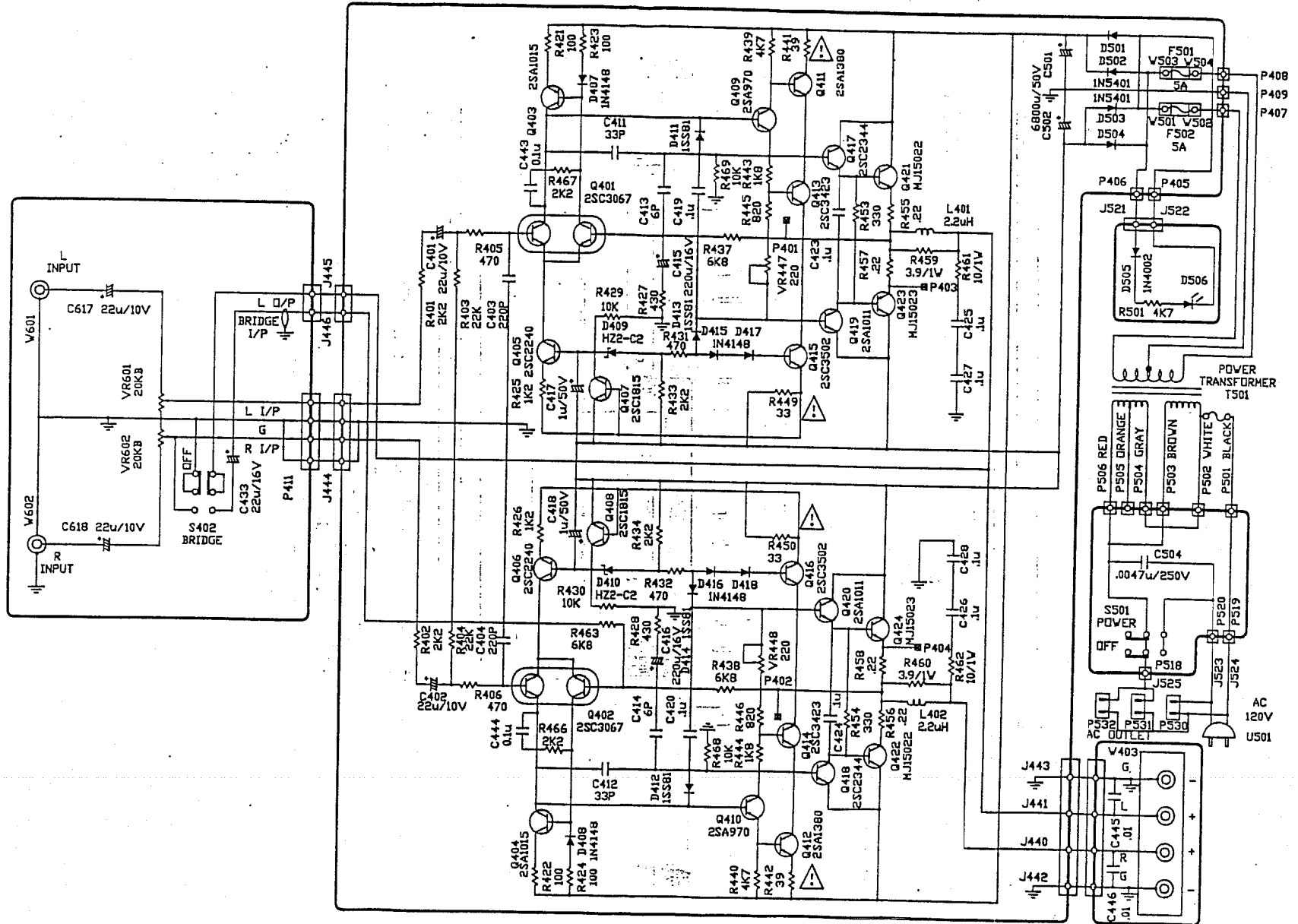
Dimensions (WxHxD)430x112x288mm

Net weight9.5kg

Shipping weight..... 10.5kg

Power consumption 360W

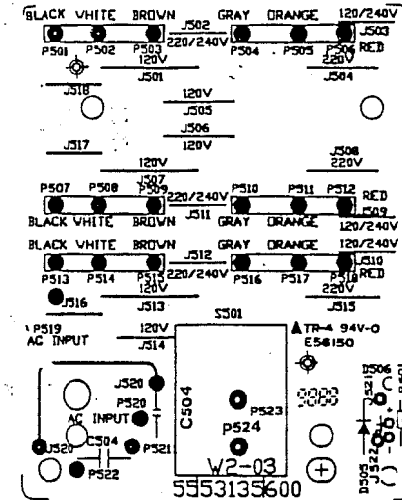
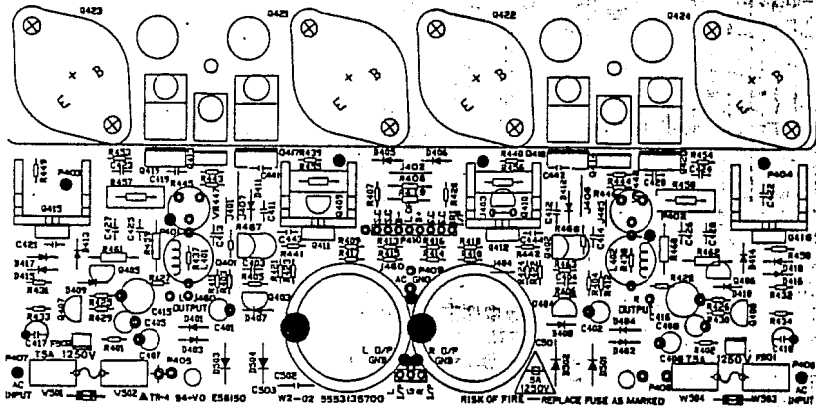
SCHEMATIC DIAGRAM



AMPLIFIER ADJUSTMENT

MAINS WIRING INSTRUCTION

- The power transformer of 2445 is UNIVERSAL type can be wired to 120V / 220V / 240V mains voltages by changing the jumper wires on the MAINS PCB.
- MAINS P.C.B. drawing:



A. IDLE CURRENT ADJUSTMENT

- Connect DMM across P-401 (+) and P-403 (-), adjust VR-447 for reading of 5mV +/- 0.5mV DC. (Without a load across the output terminals.)
- Repeat, using P-402 (+) and P-404 (-), adjust VR-448.
- Repeat above procedures for each amplifier module.

B. FINAL ADJUSTMENT

- Leave power on minimum 5 minutes.
- Repeat idle current adjustments.

3. Jumper wires connected chart:

Mains Voltages	Jumper wires shall be connected for the mains voltage									
120V	J501	J503	J505	J506	J507	J509	J510	J513	J514	
220V	J502	J504			J508		J511	J512	J515	
240V	J502	J503				J509	J510	J511	J512	

- CAUTION:** For continued protection against risk of fire, replace only with the same type of fuses as specified.
ATTENTION: Utiliser un fusible DE recharge DE meme type.

MAINS	100V - 120V		220V - 240V		
F501	T5A	125V	T5A	250V	T: TIME LAG FUSE
F502	T5A	125V	T5A	250V	

PARTS LIST

AMC 2445 PARTS LIST

SYMBOL NO.	I/D	PARTS NO.	DESCRIPTION	SPECIFICATION	REMARK	Q'TY
		MD-90-1227	MODULE OF AMP.	AMC-2445		1
		MD-90-1227-1	MODULE OF SPEAKER TERMINAL	AMC-2445		1
		MD-90-1227-2	MODULE OF IN/OUT	AMC-2445		1
		MD-90-1228	MODULE OF POWER SWITCH	AMC-2445		1
		MD-90-1228-1	MODULE OF POWER LED	AMC-2445		1
		5090106053	PACKING ASS'Y	AMC-2445		1
1P02		9520940155	POLYLONE FRONT AMC-2445	120x530x210 SGO.016	34-1065-1	1
1P03		9520940255	POLYLONE REAR AMC-2445	100x530x210 SGO.016	34-1065-2	1
1P08		5535122563	OWNERS MANUAL	AMC-2445	NEW PART	1
1P09		9510940155	RS CARTON AMC-2445	E 225x538x398 DBS14.0	NEW PART	1
1P10		9510940255	RS CARTON AMC-2445 (2ET)	E 498x558x418 DBS18.0	NEW PART	0.5
		5090306053	CHASSIS ASS'Y	AMC-2445		1
3F01		5541545900	POWER BUTTON	AMC-2445	12-3152GN	1
5A01		5541407100	PANEL FRONT	AMC-2445		1
5B01		5547138700	PANEL REAR	AMC-2445 120V 60Hz		1
5C01		5547138600	MAIN CHASSIS	AMC-2445		1
5F01		5547138800	FRONT CHASSIS	AMC-2445	11-6149	1
5H01		5545309610	HEAT SINK	AMC-2445	NEW PART	2
5T01		5547137900	FRAME-L	AMC-2445		1
5R01		5547044200	RETAINER	AMC-2445	28-2076	2
5T01		5541003300	TOP COVER	AMC-2445	50-1038-1	1
6B01		5547501200	BUSHING POWER CORD	SR-4N-4 & B-7		1
6C01	RV	5542226940	FOOT H=17 M/M	AMC-2445	28-1046	4
6C02	RV	5547803600	FELT	AMC-2445	NEW PART	4
6S01		5547533110	POWER SW. SHIELDER	NAD-906 PC 0.8T 94V-2		1
D506		6618001201	DIODE LED	LT-231G GREEN	LIT	1
J471-J487		5540100701	BINDER			17
P530,P532		5556308320	AC OUTLET (POLARIZED)	S-16519-02#01/HJC-030A		3
T501		5561320900	POWER TRANSFORMER	TAM-PT-1210 (NAD-906)		3
		MD-90-1227	MODULE OF AMP.	AMC-2445		1
C401,C402		5213222091	CAP. EL.	22UFM +/-20% 10V		2
C403,C404		5247122191	CAP. EL.	220PFK +/-10% 50V		2
C405		5213222091	CAP. EL.	22UFM +/-20% 10V		1
C411,C412		5247033091	CAP. CERAMIC CC45	33PFJ +/-5% 50V		2
C413,C414		5247106091	CAP. CERAMIC CC45	6PFD 50V		2
C415,C416		5213322191	CAP. EL.	220UFM +/-20% 16V		2
C417,C418		5213601091	CAP. EL.	1UFM +/-20% 50V		2
C419,C420		5222110491	CAP. POLYESTER	0.10MFJ +/-5% 50V		2
C423-C428		5222110491	CAP. POLYESTER	0.10MFJ +/-5% 50V		6
C443,C444		5222110491	CAP. POLYESTER	0.10MFJ +/-5% 50V		2
C501,C502		5210308100	CAP. EL. 25x50	6800UFM +/-20% 50V		2
D407,D408		6613003030	DIODE SWITCHING	ITT 1N4148		2
D409,D410		6615019740	DIODE ZENER	HIT HZ2C2-TA		2
D411-D414		6613007141	DIODE SWITCHING	HIT 1SS81 200V 1A T=52mm	.1	4
D415-D418		6613003030	DIODE SWITCHING	ITT 1N4148		4
D501-D504		6611000800	DIODE RECTIFIER	GIT 1N5401 100V 3.0A G		4
F501,F502		5554307501	FUSE UL/CSA 5.2 x 20 5MT5	125V 5A MEDIUM BLOW		2
Q401,Q402		6621034501	TR NPN HF	2SC3067G VCEO=120V IC=50mA	SYO	2
Q403,Q404		6623002050	TR PNP HF	2SA1015-Y TPE2 TAPING	TSB	2
Q405,Q406		6621016701	TR NPN HF	2SC2240-GR LOW NOISE	TSB	2
Q407,Q408		6621015332	TR NPN HF	2SA1815-Y TPE2	TSB	2
Q409,Q410		6623005000	TR PNP HF	2SA970-GR	TSB	2
Q411		6623003200	TR PNP HF	2SA1380D/E	SYO	1
Q412		6623003200	TR PNP HF	2SA1380D/E	SYO	1
Q413		6621034600	TR NPN HF	2SC3423-Y PC=1.2W HFE=120-240	TSB	1
Q414		6621034600	TR NPN HF	2SC3423-Y PC=1.2W HFE=120-240	TSB	1
Q415		6621016900	TR NPN HF	2SC3502D/E W/IS-126	SYO	1
Q416		6621016900	TR NPN HF	2SC3502D/E W/IS-126	SYO	1
Q417		6621035000	TR NPN HF	2SC2344-E M:1S-313A B:M	SYO	1

AMC 2445 PARTS LIST

SYMBOL NO.	I/D	PARTS NO.	DESCRIPTION	SPECIFICATION	REMARK	Q'TY
Q418		6621035000	TR NPN HF	2SC2344-E M:IS-313A B:M	SYO	1
Q419		6623011600	TR PNP HF	2SA1011-E M:IS-313A B:M	SYO	1
Q420		6623011600	TR PNP HF	2SA1011-E M:IS-313A B:M	SYO	1
Q421		6622003100	TR PNP LF	MJ15022	MOT	1
Q422		6622003100	TR PNP LF	MJ15022	MOT	1
Q423		6624002000	TR PNP LF	MJ15023	MOT	1
Q424		6624002000	TR PNP LF	MJ15023	MOT	1
R401,R402		5142122290	RES. CARBON FILM	2K2 1/6W		2
R403,R404		5142122390	RES. CARBON FILM	22K +/-5% 1/6W		2
R405,R406		5142147190	RES. CARBON FILM	470 +/-5% 1/6W		2
R407,R408		5142115390	RES. CARBON FILM	15K +/-5% 1/6W		2
R409,R410		5142191190	RES. CARBON FILM	910 +/-5% 1/6W		2
R413-R416		5142118290	RES. CARBON FILM	1K8 +/-5% 1/6W		4
R417,R418		5142191190	RES. CARBON FILM	910 +/-5% 1/6W		2
R419,R420		5142115390	RES. CARBON FILM	15K +/-5% 1/6W		2
R421-R424		5142110190	RES. CARBON FILM	100 +/-5% 1/6W		4
R425,R426		5142112290	RES. CARBON FILM	1K2 +/-5% 1/6W		2
R427,R428		5142143190	RES. CARBON FILM	430 +/-5% 1/6W		2
R429,R430		5142110390	RES. CARBON FILM	10K +/-5% 1/6W		2
R431,R432		5142147190	RES. CARBON FILM	470 +/-5% 1/6W		2
R433,R434		5142122290	RES. CARBON FILM	2K2 1/6W		2
R437,R438		5142168290	RES. CARBON FILM	6K8 +/-5% 1/6W		2
R439,R440		5142147290	RES. CARBON FILM	4K7 +/-5% 1/6W		2
R441,R442		5133839096	RES. FUSEABLE	39 +/-5% 1/4W		2
R443,R444		5142118290	RES. CARBON FILM	1K8 +/-5% 1/6W		2
R445,R446		5142182190	RES. CARBON FILM	820 +/-5% 1/6W		2
R449,R450		5133833096	RES. FUSEABLE	33 +/-5% 1/4W		2
R453,R454		5142133190	RES. CARBON FILM	330 +/-5% 1/6W		2
R455-R458		5136003200	RES. METAL PLATE CEMENT	0.22 +/-10% 5W	FUTABA	4
R459,R460		5130339903	RES. METAL OXIDE FILM MINI	3.9 +/-5% 1W		2
R461,R462		5130310003	RES. METAL OXIDE FILM MINI	10 +/-5% 1W		2
R463		5142168290	RES. CARBON FILM	6K8 +/-5% 1/6W		1
R466,R467		5142122290	RES. CARBON FILM	2K2 1/6W		2
R468,R469		5142110390	RES. CARBON FILM	10K +/-5% 1/6W		2
VR447,VR448		5162160420	RES. VR PNO6FB221AR	220 OHM +/-20% F5x5		2
		MD-90-1227-1	MODULE OF SPEAKER TERMINAL	AMC-2445		1
		5090906159	SPEAKER TERMINAL PCB BLOCK	NAD-906		2
W403		5556205420	SPEAKER TERMINAL	SO-6249		1
		MD-90-1227-2	MODULE OF IN/OUT	AMC-2445		1
		5090906161	IN/OUT JACK PCB BLOCK	NAD-906		2
C433		5213322091	CAP. EL.	22UFM +/-20% 16V		1
C617,C618		5213222091	CAP. EL.	22UFM +/-20% 10V		2
S402	RA	5554439900	SLIDE SWITCH	SLWK22-09		1
S402	RB	5554431610	SLIDE SWITCH	SSSE022NB1-NB1-TT		1
VR601,VR602		5169010532	VR.	20KB TT RK09K1130008		2
W601,W602		5556207700	1P JACK	12-2237		2
		MD-90-1228	MODULE OF POWER SWITCH	AMC-2445		1
		5090406072	POWER SWITCH PCB ASS'Y	AMC-2445		1
		5090906173	POWER SWITCH PCB BLOCK	AMC-2445		1
B501		5553135610	POWER SWITCH PCB (69x95)	AMC-2445		1
C504		5230102701	CAP. CERAMIC CK45 (KC)	4700PFM* +/-20% 400V		1
S501		5554440000	POWER SWITCH	SDDFA3117U-TT3		1
		MD-90-1228-1	MODULE OF POWER LED	AMC-2445		1
		5090906174	POWER LED PCB BLOCK	AMC-2445		1
D505		6611007230	DIODE RECTIFIER	1N4002 100V 1A T=26MM		1
R501		5142156290	RES. CARBON FILM	5K6 +/-5% 1/6W	MOT	1