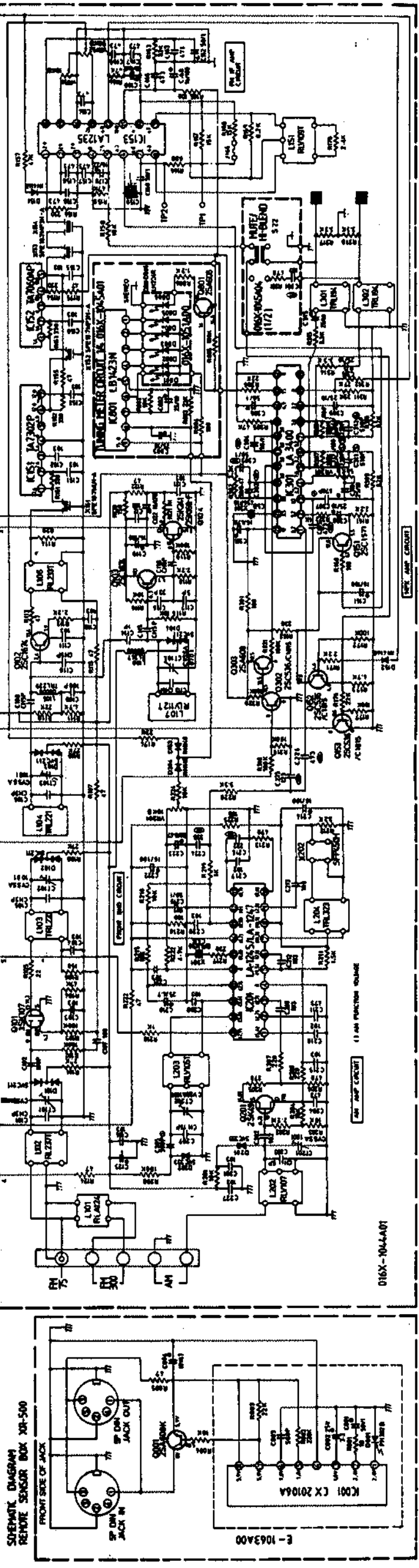
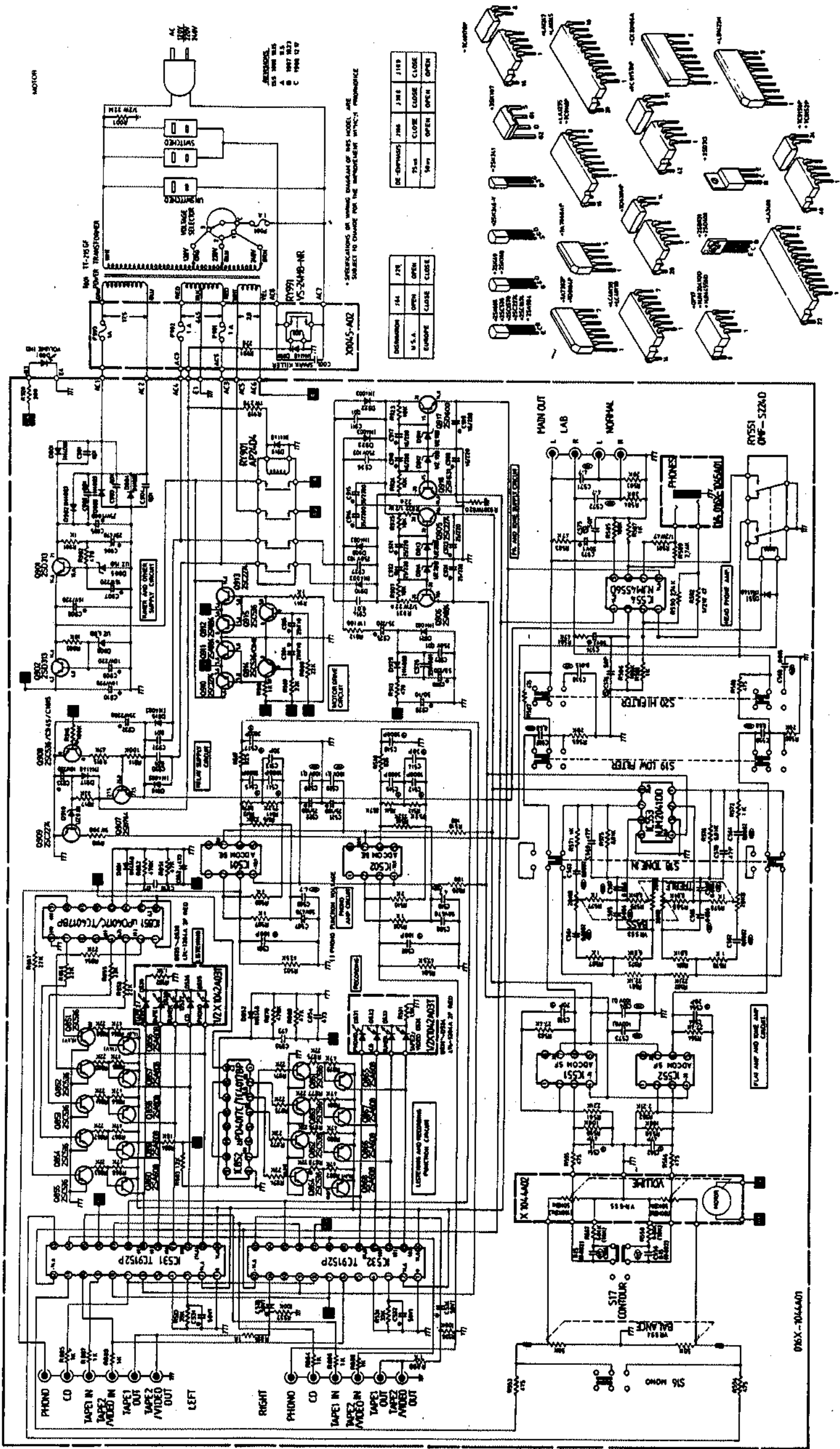


SCHEMATIC DIAGRAM REMOTE CONTROL TRANSMITTER RC-500



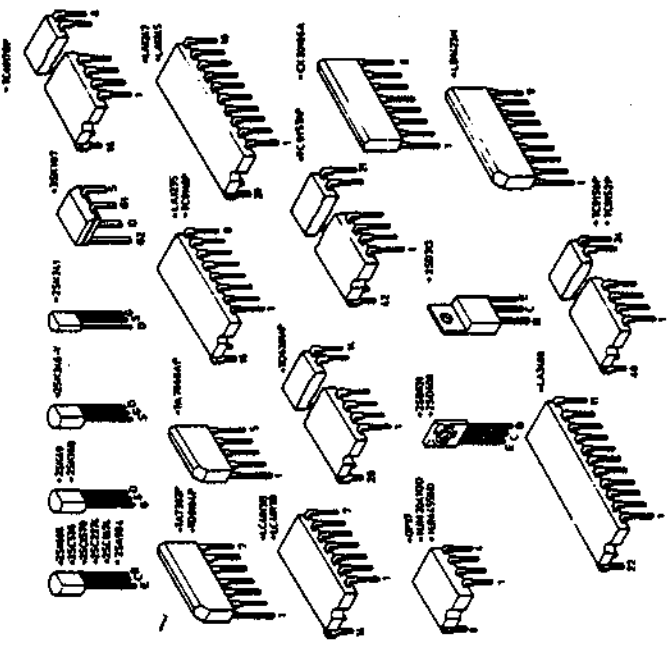
SCHEMATIC DIAGRAM REMOTE SENSOR BOX SR-500

SCHEMATIC DIAGRAM MODEL NO GTP-500 2/2

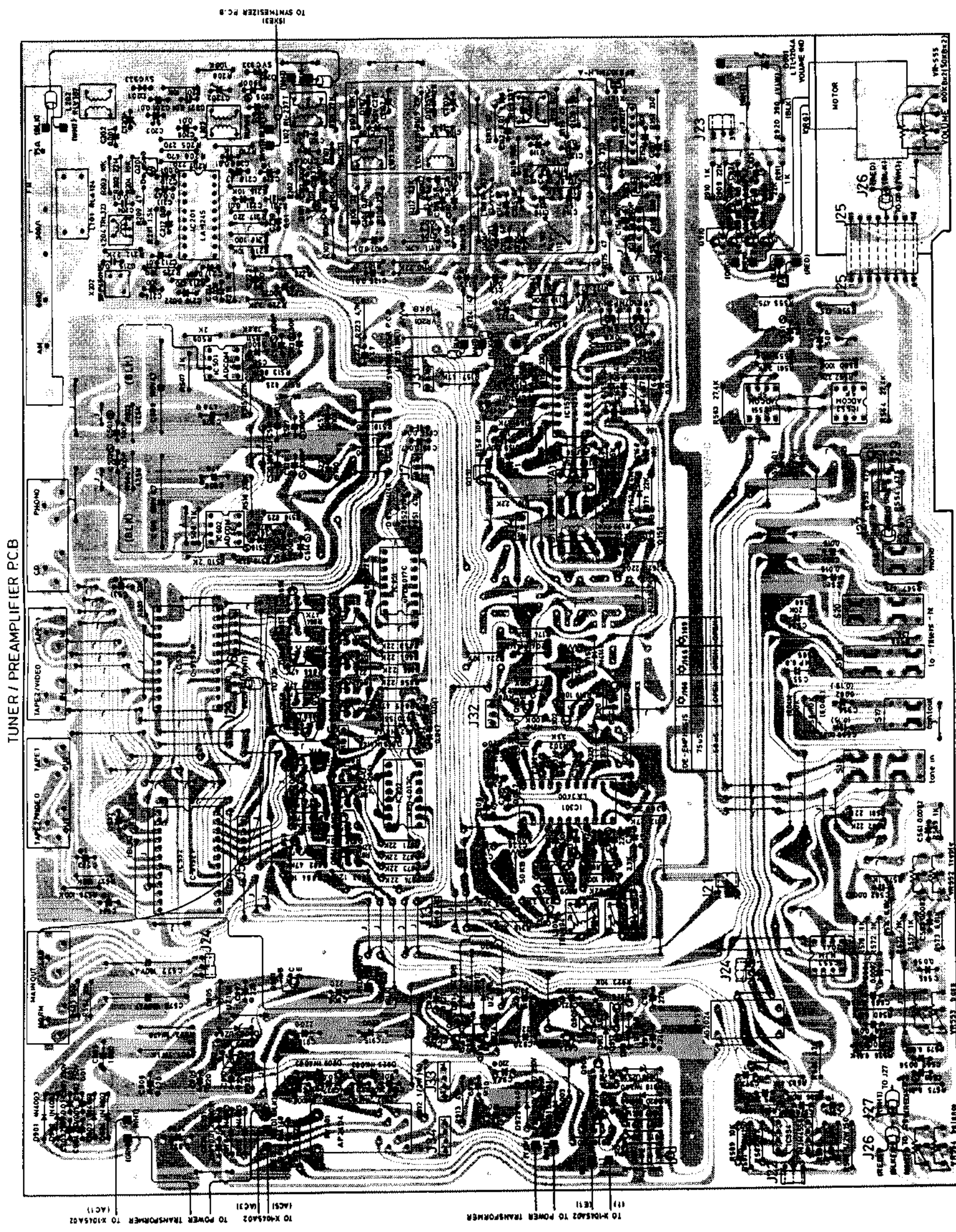


DESCRIPTION	714	718	719
DE-EMPHASIS	714	718	719
75-μs	CLOSE	CLOSE	CLOSE
50-μs	OPEN	OPEN	OPEN

DESCRIPTION	714	718	719
U.S.A.	OPEN	OPEN	CLOSE
EUROPE	CLOSE	CLOSE	OPEN



Wiring Diagram Model GTP-500



Wiring Diagram Model GTP-500

