

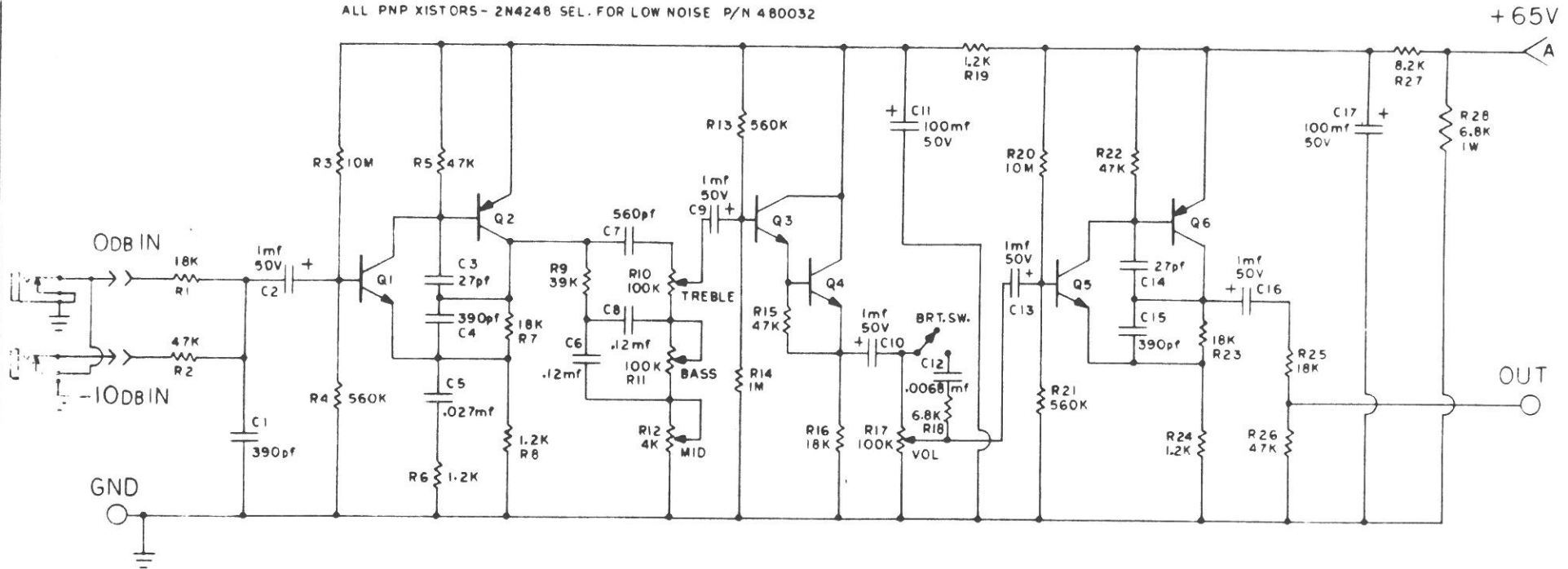
2. [ ] DENOTES DC VOLTAGE TO GROUND, NO INPUT SIGNAL APPLIED  
 ALL RESISTORS 1/2 WATT 5% UNLESS NOTED OTHERWISE

NOTES

UNLESS OTHERWISE SPECIFIED DIMENSIONS ARE IN INCHES TOLERANCES ARE		BY	DATE	<b>acoustic control corp</b> van nuys, california 91488
FRACTIONS	ANGLES	CHECKED		
DECIMALS	HOLDS	APPROVED		TITLE
MATERIAL		PROPRIETARY INFORMATION		LEAD PREAMP MOD. 117
FILE NO.		ALL INFORMATION CONTAINED IN THIS DOCUMENT IS THE PROPERTY OF <b>acoustic control corp</b> AND IS NOT TO BE DISCLOSED OR REPRODUCED IN ANY MANNER WITHOUT THE WRITTEN PERMISSION OF <b>acoustic control corp</b> .		SER. NO.
C1720	117/118 PWR BD			11724
NUMBER	TITLE			PART NO
RELATED DOCUMENTS				DO NOT SCALE THIS PRINT

A ← → TO PWR. SUP. BD.  
MTD. ON CHASSIS

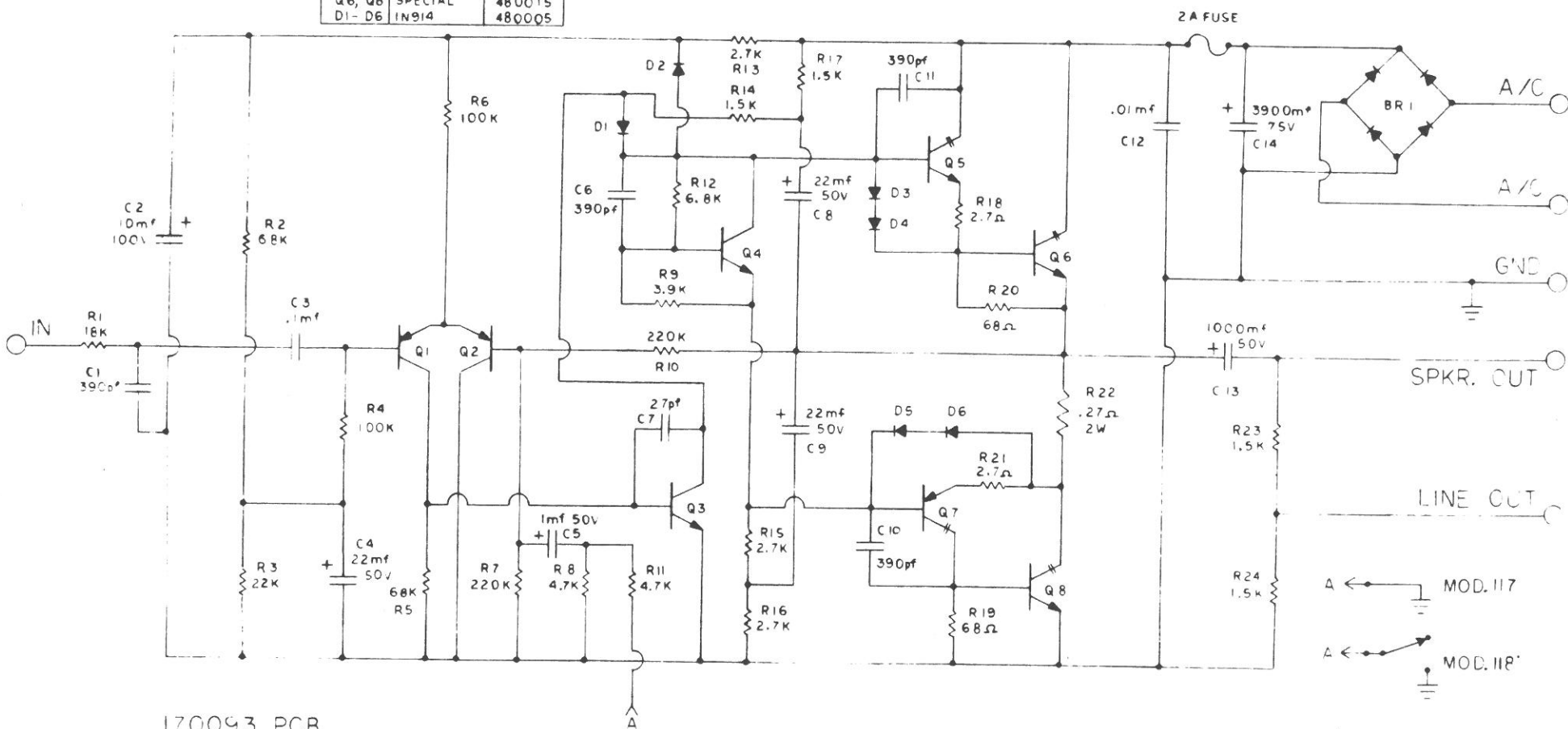
ALL NPN XISTORS - 2N2484 SEL. FOR LOW NOISE P/N 480023  
ALL PNP XISTORS - 2N4248 SEL. FOR LOW NOISE P/N 480032



170094 PCB

		UNLESS OTHERWISE SPECIFIED DIMENSIONS ARE IN INCHES TOLERANCES ARE		BY	DATE	<b>acoustic control corp</b> van nuys, california 91406			
		FRACTIONS :	ANGLES :	DRAWN <i>S. Roe</i>	6-10-71			<b>TITLE</b> SCHEMATIC 118 PRE-AMP	
		DECIMALS ± .XX	HOLDS	CHECKED <i>H. Scherz</i>	5-10-71				
				APPROVED <i>H. Scherz</i>	5-10-71	<b>PART NO.</b> 1721	<b>REV</b>		
		MATERIAL		<b>PROPRIETARY INFORMATION</b> ALL INFORMATION CONTAINED IN THIS DOCUMENT IS THE PROPERTY OF <b>acoustic control corp.</b> AND IS NOT TO BE DIVULGED OR EMPLOYED IN ANY WAY WITHOUT SPECIFIC APPROVAL FROM <b>acoustic control corp.</b>					
C1720		PWR. BD. 170093							
NUMBER		TITLE							
RELATED DOCUMENTS						<b>DO NOT SCALE THIS PRINT</b>			

REF	TYPE	P/N
Q1, Q2	2N4248	480032
Q4	2N2484	480023
Q3	SPECIAL	480059
Q5	RCA 40409	480006
Q7	RCA 40410	480007
Q6, Q8	SPECIAL	480015
D1 - D6	1N914	480005



170093 PCB

		UNLESS OTHERWISE SPECIFIED DIMENSIONS ARE IN INCHES TOLERANCES ARE		BY	DATE	<b>acoustic control corp</b> van nuys, california 91406
		FRACTIONS :	ANGLES :	DRAWN <i>S. Rate</i>	5-8-79	
		DECIMALS :	HOLES :	CHECKED <i>H. Schaefer</i>	6-8-79	
		+ .XX	.XXX	APPROVED <i>H. Schaefer</i>	6-8-79	<b>PROPRIETARY INFORMATION</b> ALL INFORMATION CONTAINED IN THIS DOCUMENT IS THE PROPERTY OF <b>acoustic control corp.</b> AND IS NOT TO BE DIVULGED OR EMPLOYED IN ANY WAY WITHOUT SPECIFIC APPROVAL FROM <b>acoustic control corp.</b>
		MATERIAL		<b>TITLE</b>		
		PRE-FINISH		SCHEMATIC 117, 118 PWR. BD.		
C1721		PRE-AMP 170094		SIZE	DRAWING NO	
NUMBER	TITLE	FINISH		C	CODE	PART NO. 1720
RELATED DOCUMENTS				SCALE	DO NOT SCALE THIS PRINT	