

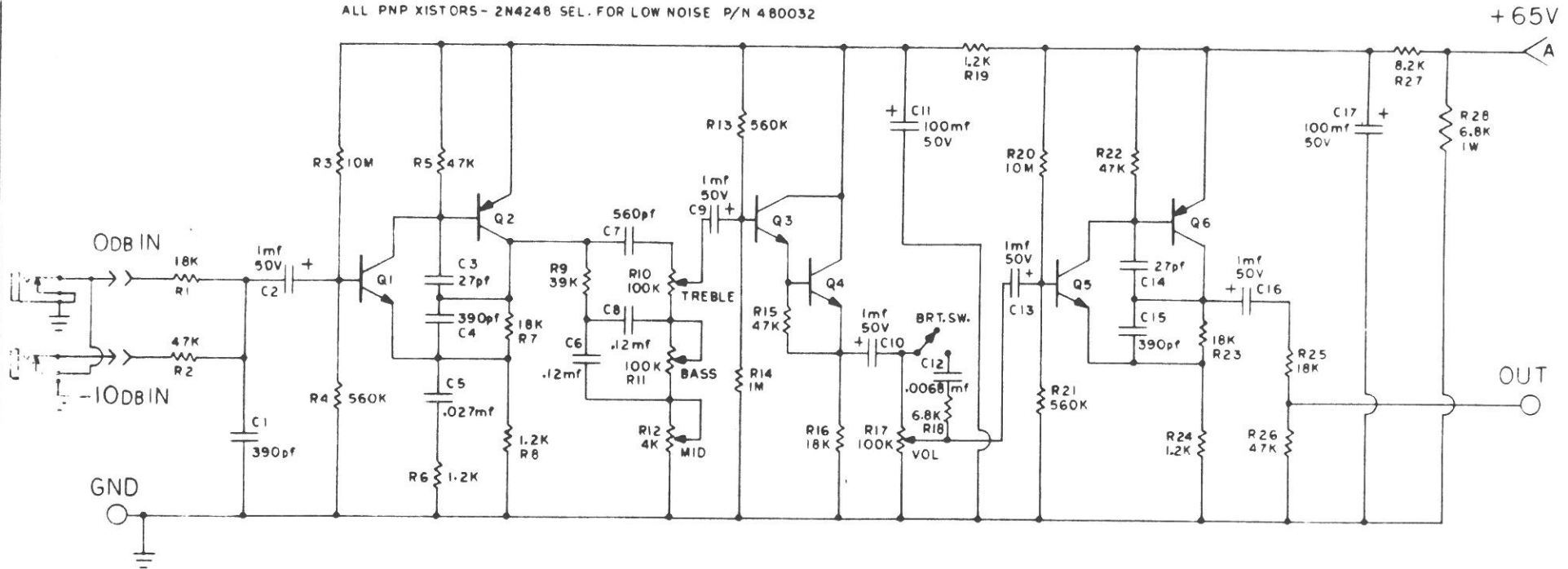
2. [] DENOTES DC VOLTAGE TO GROUND, NO INPUT SIGNAL APPLIED
 ALL RESISTORS 1/2 WATT 5% UNLESS NOTED OTHERWISE

NOTES

| | | | |
|--|----------------|---|---|
| UNLESS OTHERWISE SPECIFIED DIMENSIONS ARE IN INCHES TOLERANCES ARE | | BY DATE | acoustic control corp van nuys, california 91488 |
| FRACTIONS | ANGLES | CHECKED | |
| DECIMALS | HOLDS | APPROVED | TITLE LEAD PREAMP MOD. II7 |
| MATERIAL | | PROPRIETARY INFORMATION | REV. DRAWING NO. |
| REL. DIM. | | ALL INFORMATION CONTAINED IN THIS DOCUMENT IS THE PROPERTY OF acoustic control corp AND IS NOT TO BE DISCLOSED OR REPRODUCED IN ANY MANNER WITHOUT THE WRITTEN PERMISSION OF acoustic control corp. | 1) 008 PART NO 1724 |
| C1720 | 117/118 PWR BD | | DO NOT SCALE THIS PRINT |
| NUMBER | TITLE | | |
| RELATED DOCUMENTS | | | |

A ←   TO PWR. SUP. BD.
MTD. ON CHASSIS

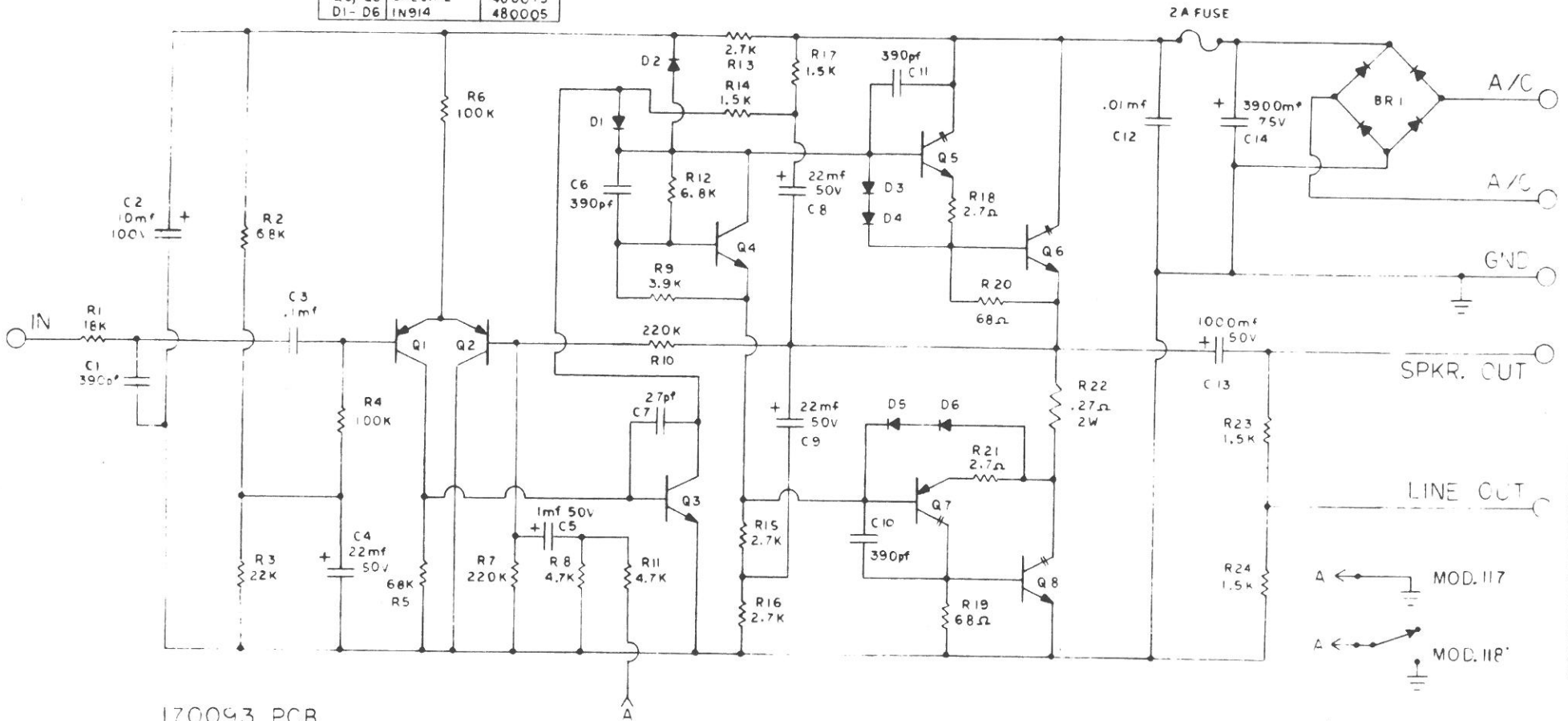
ALL NPN XISTORS - 2N2484 SEL. FOR LOW NOISE P/N 480023
ALL PNP XISTORS - 2N4248 SEL. FOR LOW NOISE P/N 480032



170094 PCB

| | | | | | | | | | |
|-------------------|--|--|----------|---|---------|--|------------|---------------------------------------|--|
| | | UNLESS OTHERWISE SPECIFIED DIMENSIONS ARE IN INCHES TOLERANCES ARE | | BY | DATE | acoustic control corp van nuys, california 91406 | | | |
| | | FRACTIONS : | ANGLES : | DRAWN <i>S. Roe</i> | 6-10-71 | | | TITLE SCHEMATIC 118 PRE-AMP | |
| | | DECIMALS ± .XX | HOLDS | CHECKED <i>H. Scherz</i> | 5-10-71 | | | | |
| | | MATERIAL | | APPROVED <i>H. Scherz</i> | 5-10-71 | PART NO. 1721 | REV | | |
| C1720 | | PWR. BD. 170093 | | PROPRIETARY INFORMATION ALL INFORMATION CONTAINED IN THIS DOCUMENT IS THE PROPERTY OF acoustic control corp. AND IS NOT TO BE DIVULGED OR EMPLOYED IN ANY WAY WITHOUT SPECIFIC APPROVAL FROM acoustic control corp. | | DO NOT SCALE THIS PRINT | | | |
| RELATED DOCUMENTS | | FINISH | | | | | | | |

| REF | TYPE | P/N |
|---------|-----------|--------|
| Q1, Q2 | 2N4248 | 480032 |
| Q4 | 2N2484 | 480023 |
| Q3 | SPECIAL | 480059 |
| Q5 | RCA 40409 | 480006 |
| Q7 | RCA 40410 | 480007 |
| Q6, Q8 | SPECIAL | 480015 |
| D1 - D6 | 1N914 | 480005 |



170093 PCB

| | | | | | | |
|-------------------|----------------|--|----------|-----------------------------|------------|---|
| | | UNLESS OTHERWISE SPECIFIED DIMENSIONS ARE IN INCHES TOLERANCES ARE | | BY | DATE | acoustic control corp van nuys, california 91406 |
| | | FRACTIONS : | ANGLES : | DRAWN <i>S. Rate</i> | 5-8-79 | |
| | | DECIMALS : | HOLES : | CHECKED <i>H. Schaefer</i> | 6-8-79 | |
| | | + .XX | .XXX | APPROVED <i>H. Schaefer</i> | 6-8-79 | PROPRIETARY INFORMATION ALL INFORMATION CONTAINED IN THIS DOCUMENT IS THE PROPERTY OF acoustic control corp. AND IS NOT TO BE DIVULGED OR EMPLOYED IN ANY WAY WITHOUT SPECIFIC APPROVAL FROM acoustic control corp. |
| | | MATERIAL | | TITLE | | |
| | | PRE-FINISH | | SCHEMATIC 117, 118 PWR. BD. | | |
| | | FINISH | | SIZE | DRAWING NO | |
| C1721 | PRE-AMP 170094 | | | C | CODE | PART NO. 1720 |
| RELATED DOCUMENTS | | | | REV | | SCALE |
| | | | | | | DO NOT SCALE THIS PRINT |