

**Power Amplifier**

**D2**

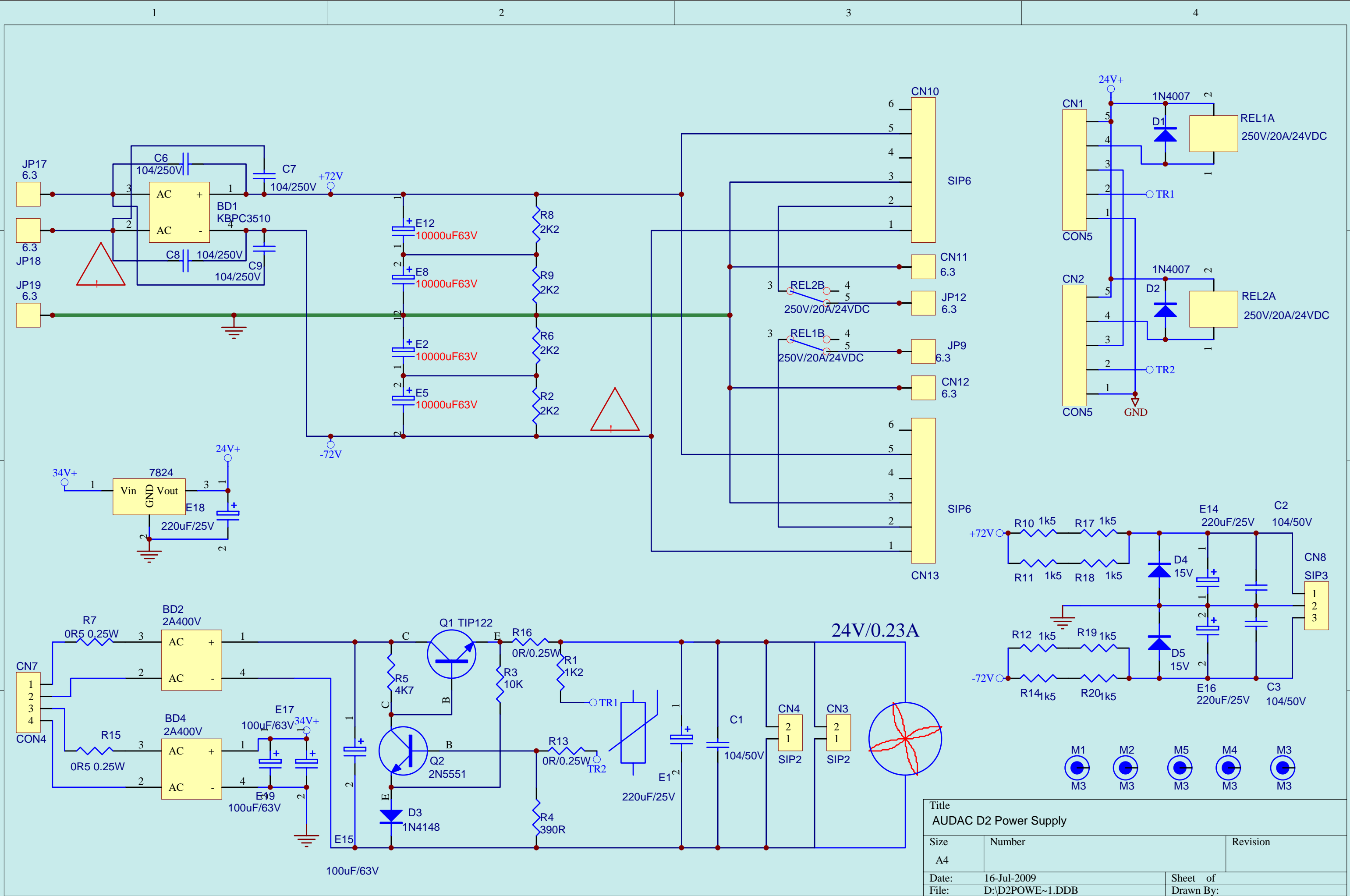
**AUDAC**

PROFESSIONAL AUDIO EQUIPMENT

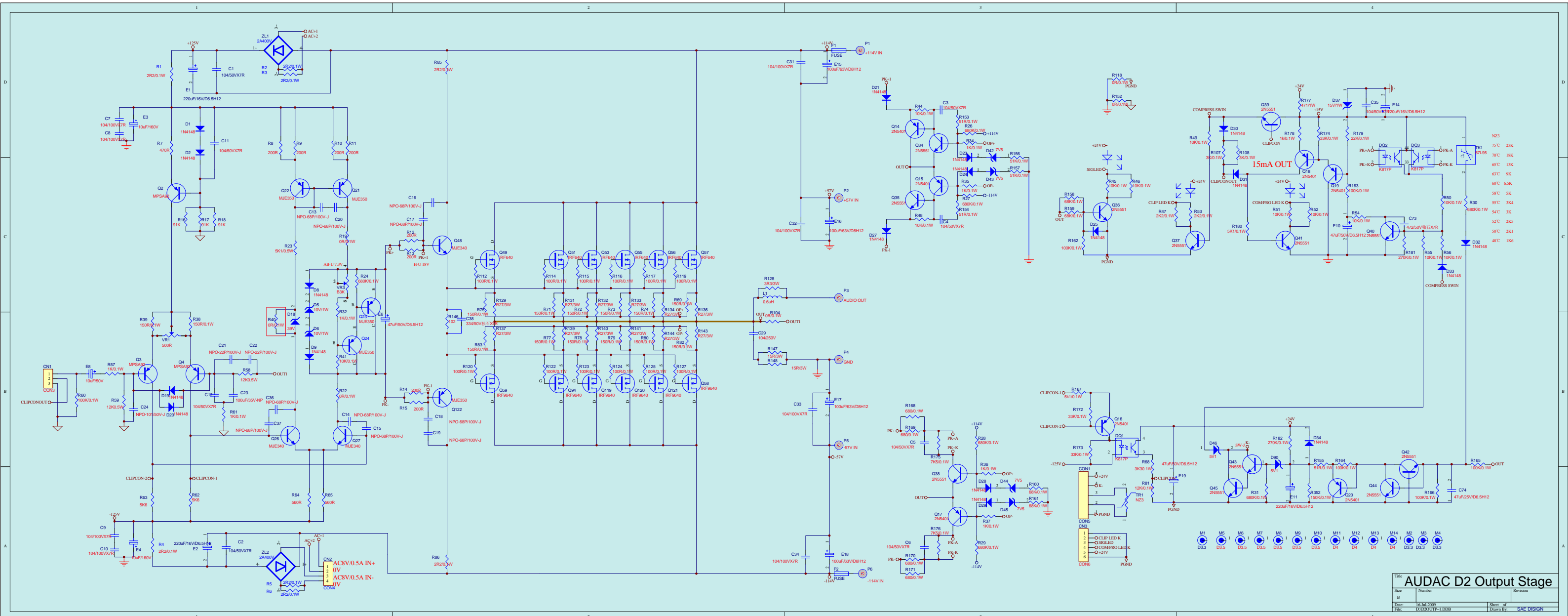
---

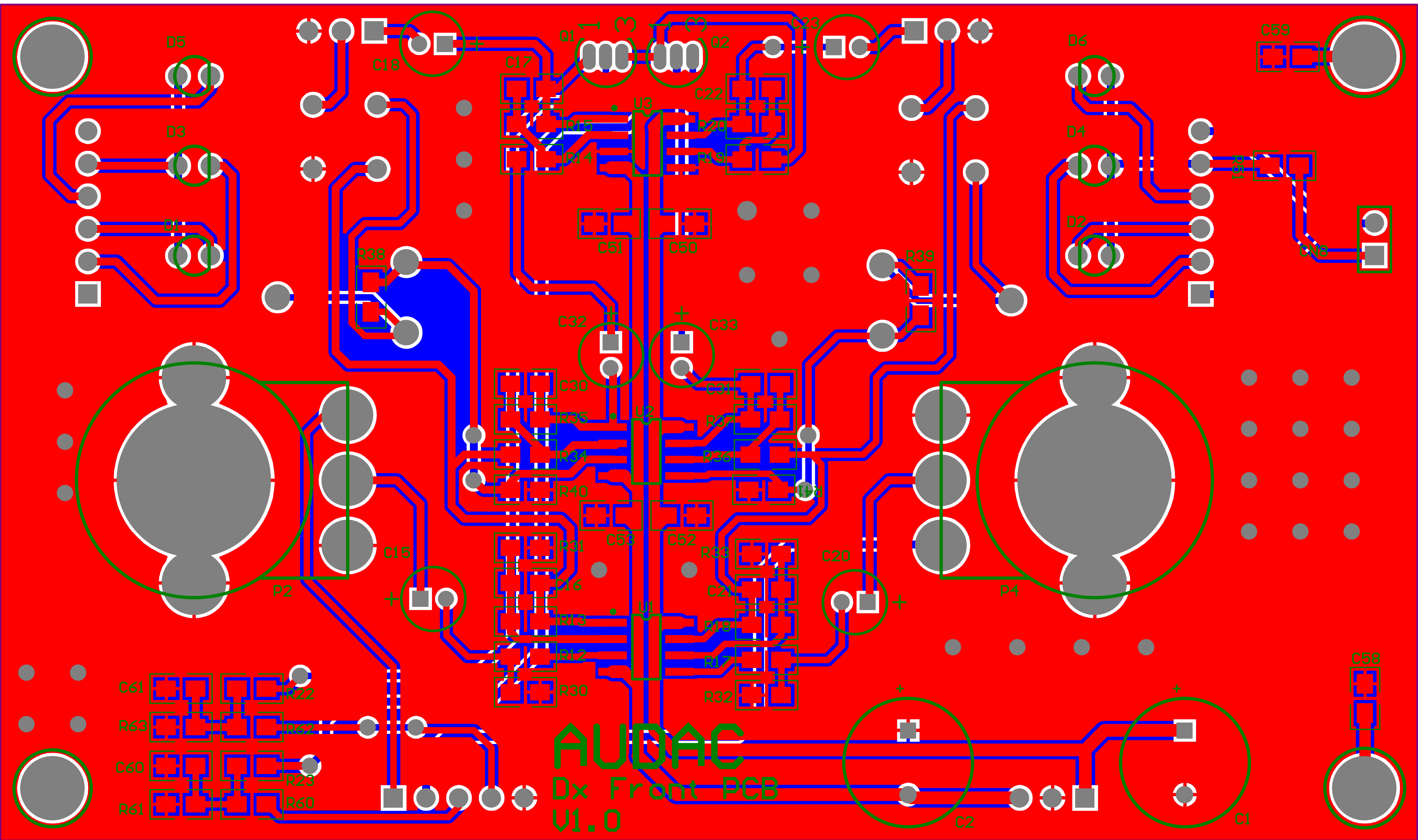
**D2 Power Amplifier**

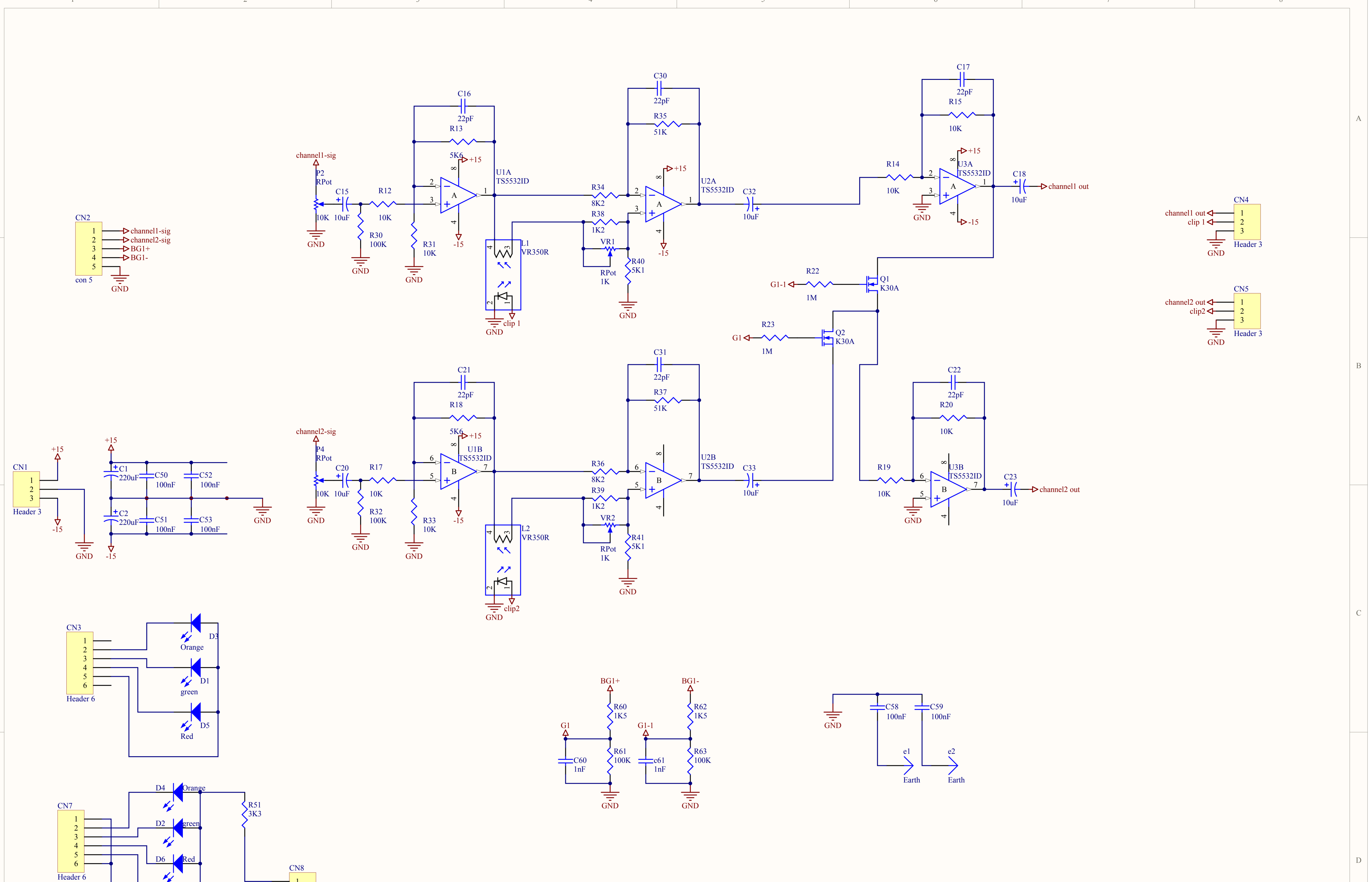
**Service Manual**



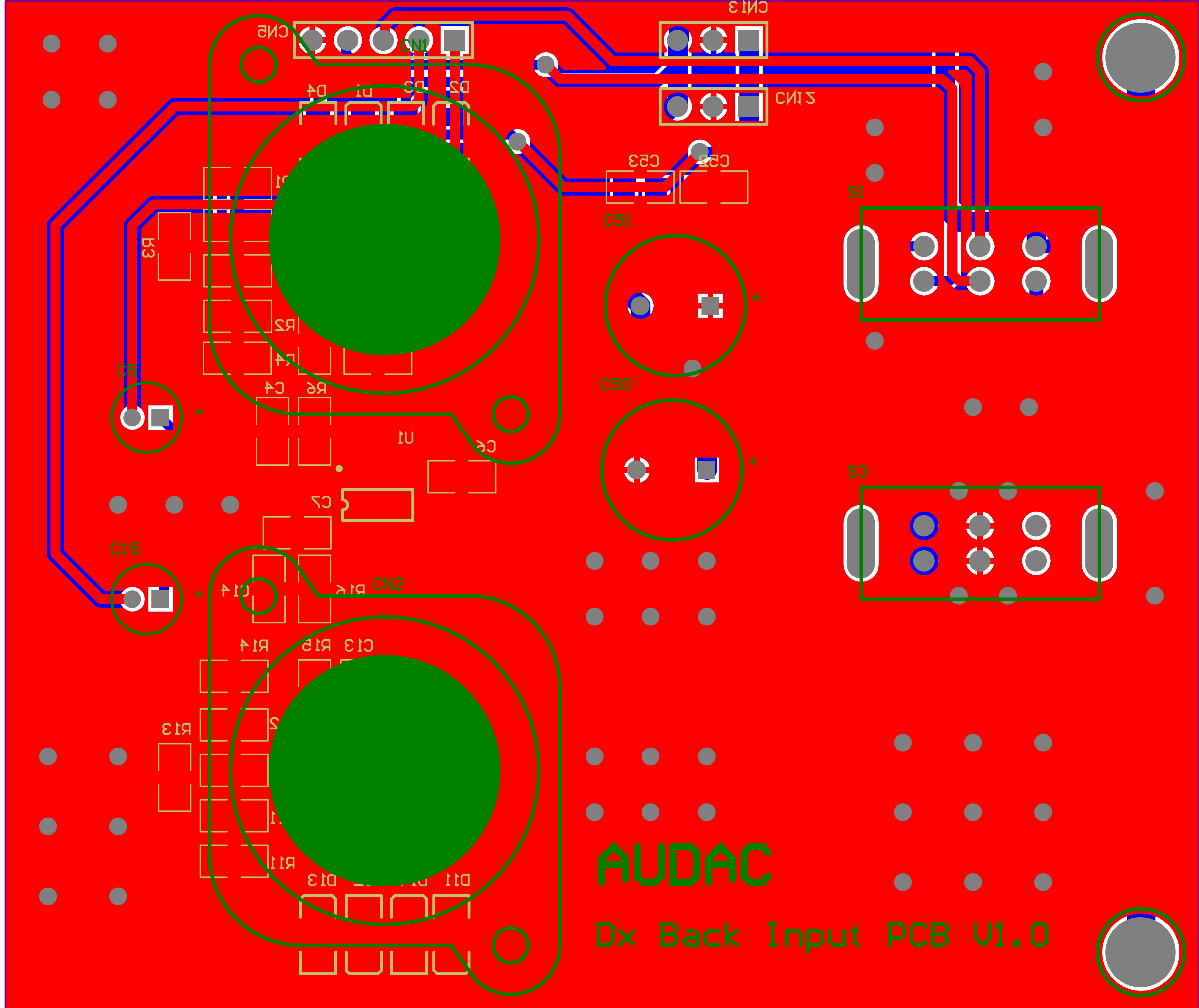
Title AUDAC D2 Power Supply		
Size A4	Number	Revision
Date: 16-Jul-2009	Sheet of	
File: D:\D2POWE~1.DDB	Drawn By:	







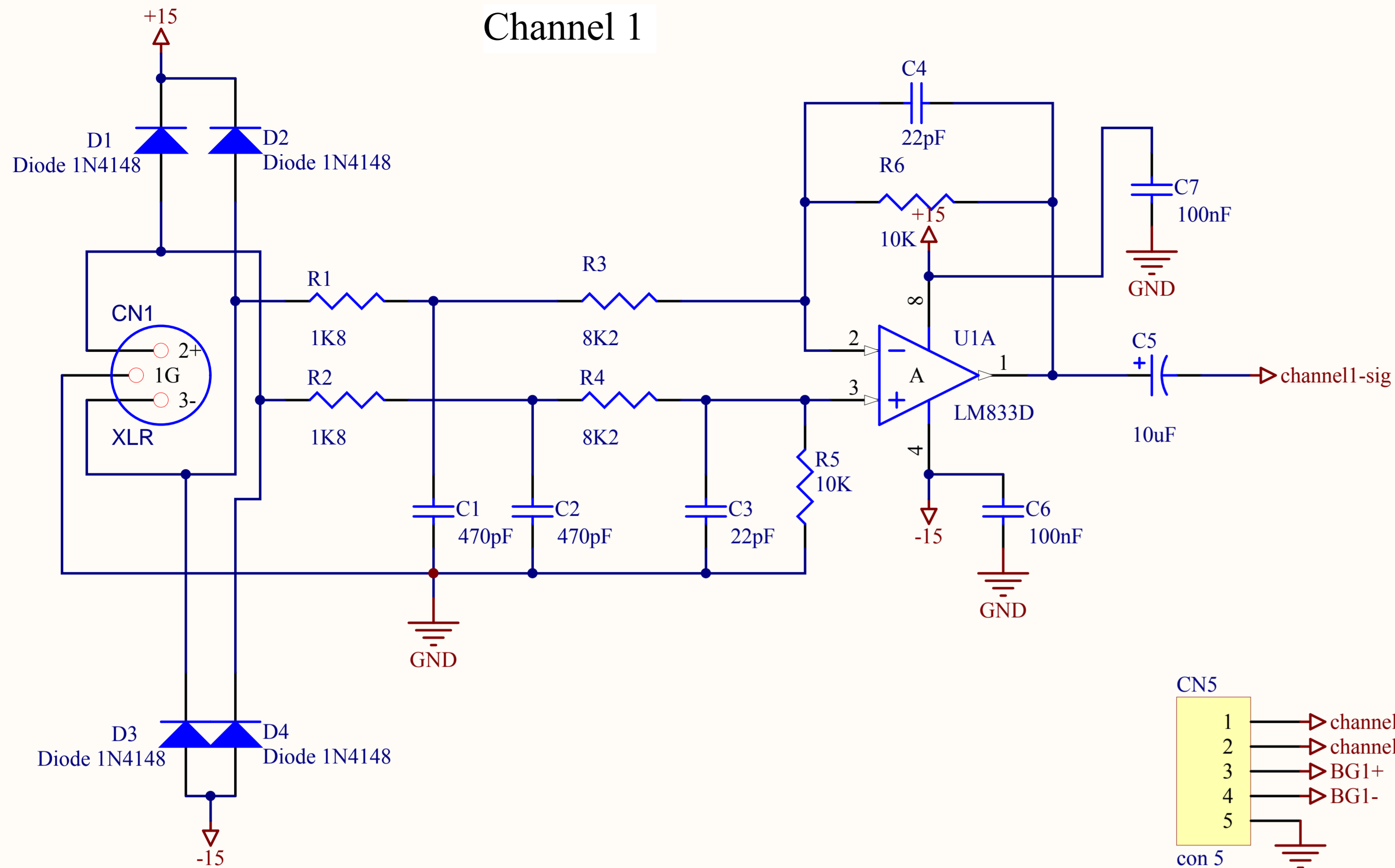
Title		
Size	Number	Revision
A3		
Date:	31/05/2007	Sheet of
File:	M:\Projecten R&D\display.SchDoc	Drawn By:



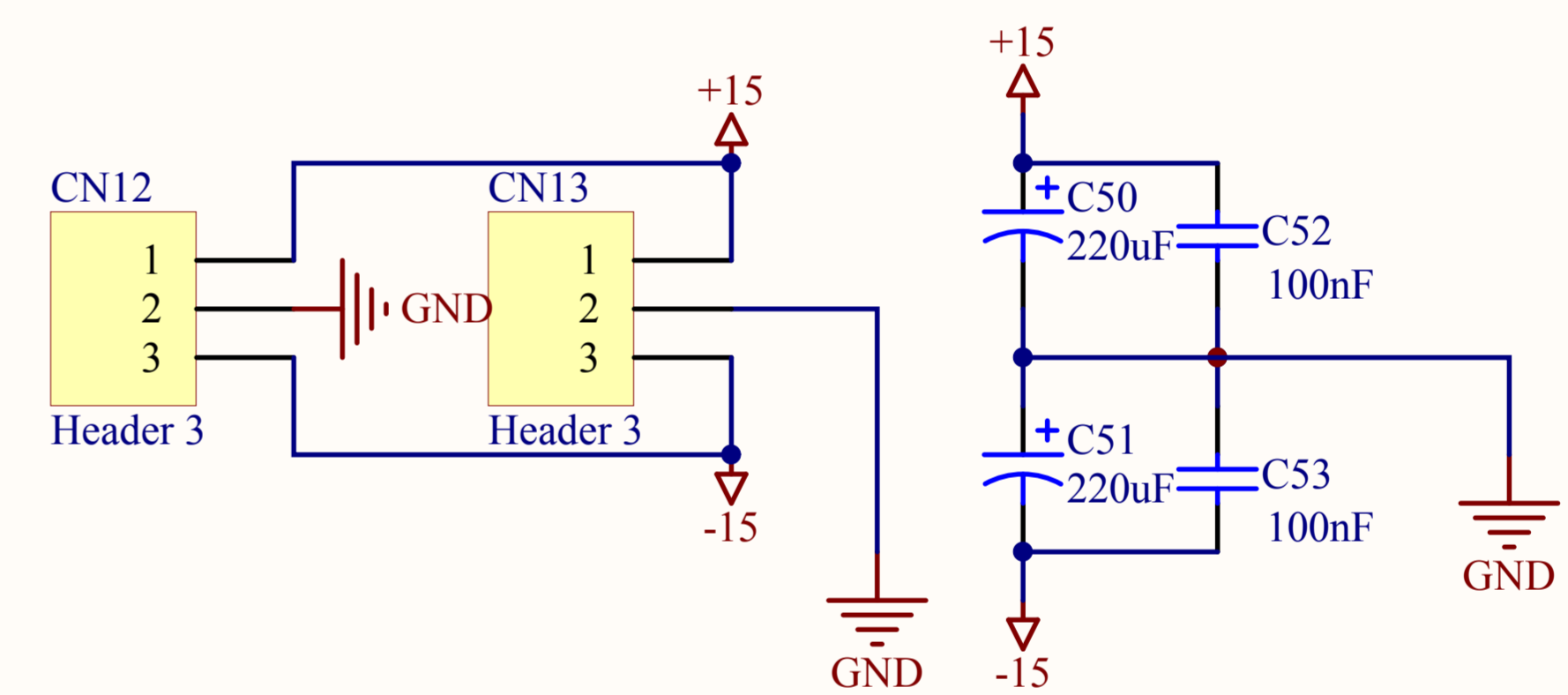
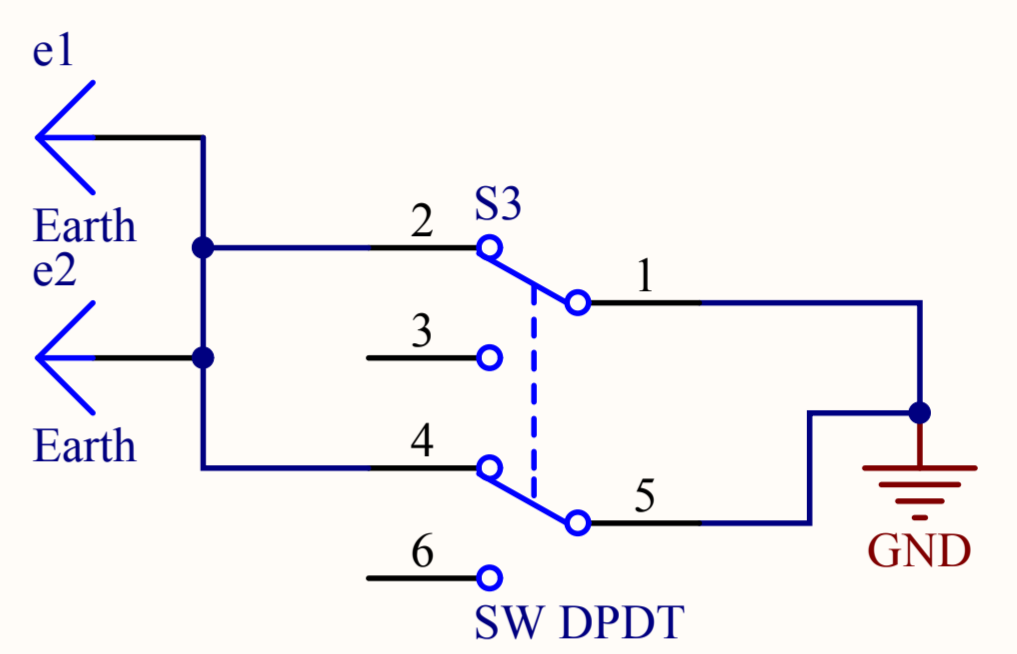
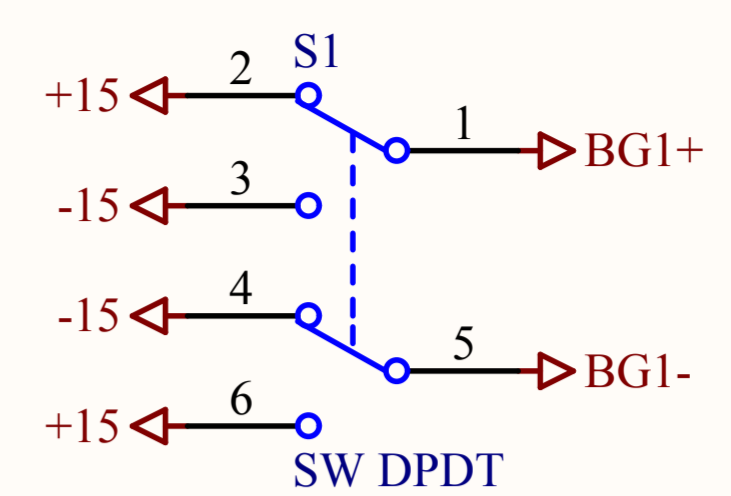
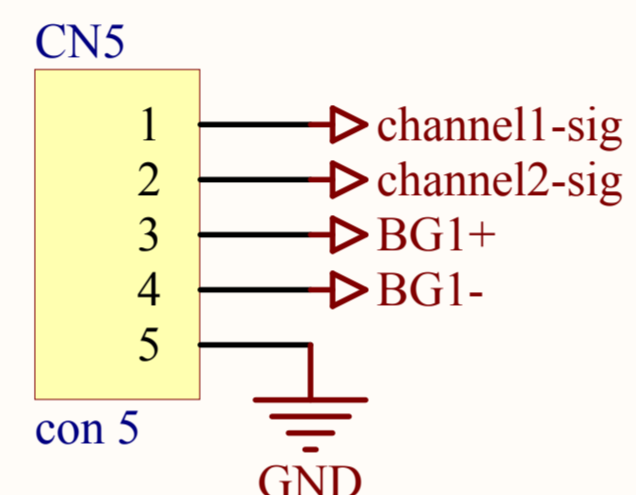
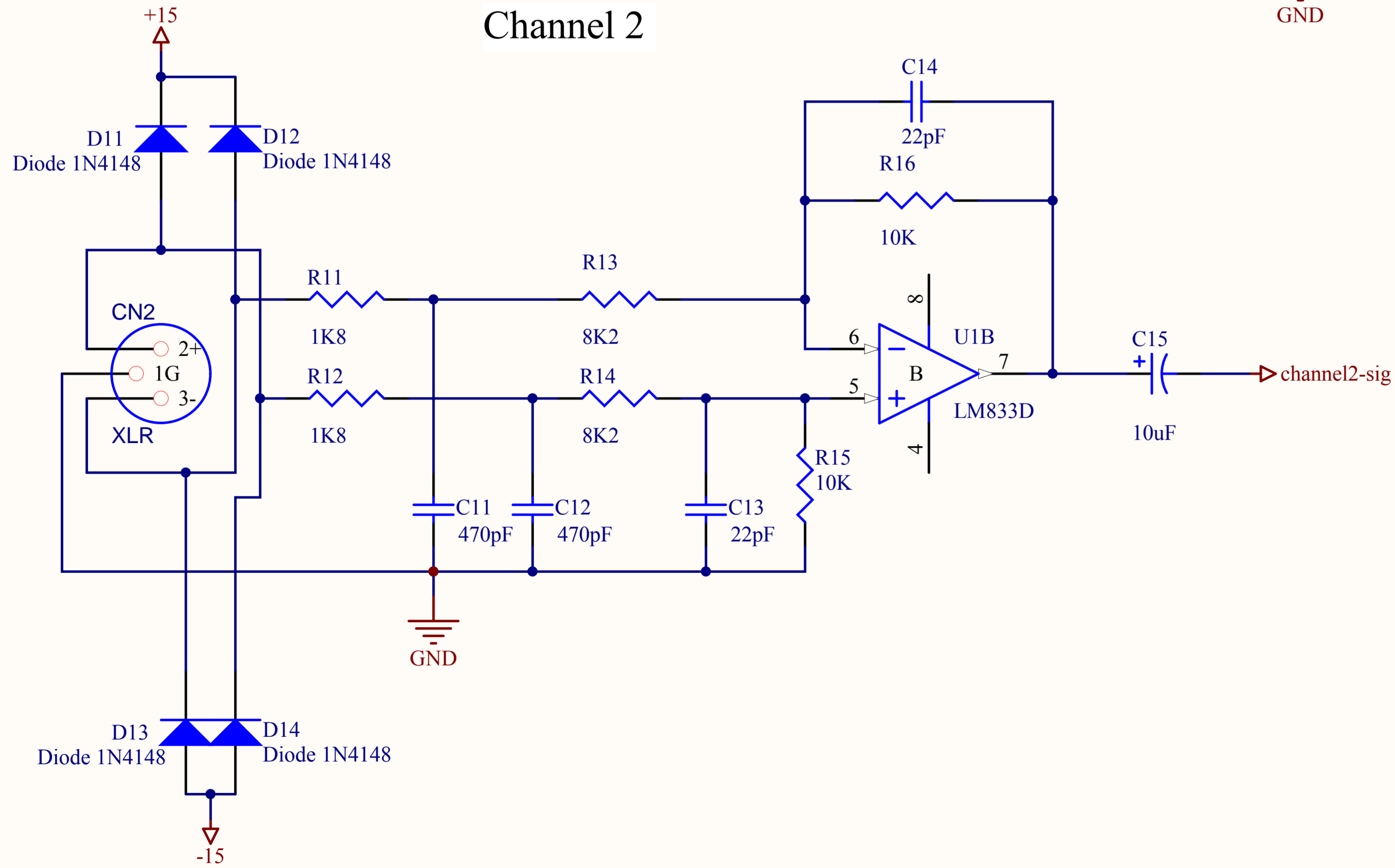
**AUDAC**

Dx Back Input PCB V1.0

### Channel 1

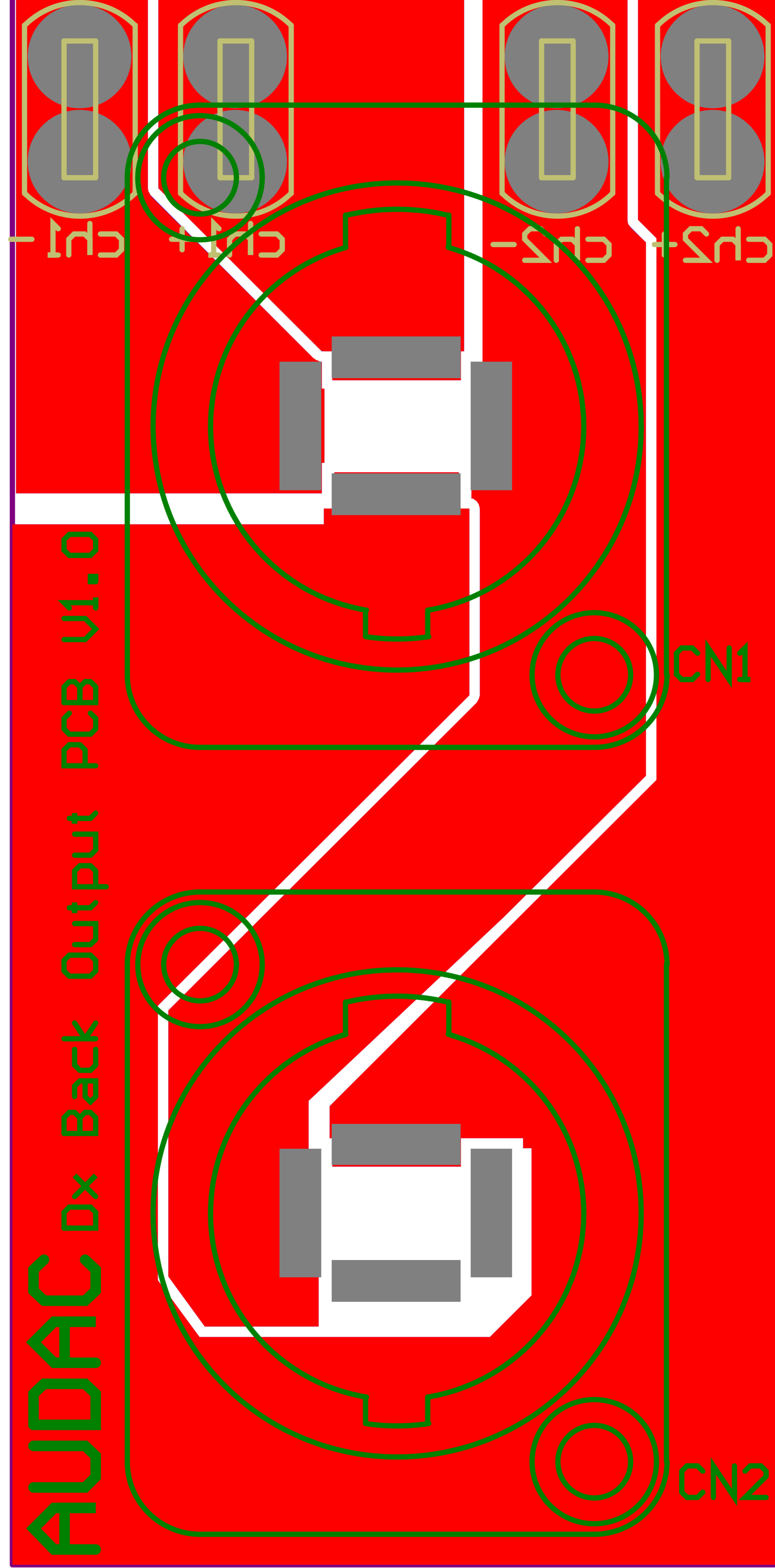


### Channel 2

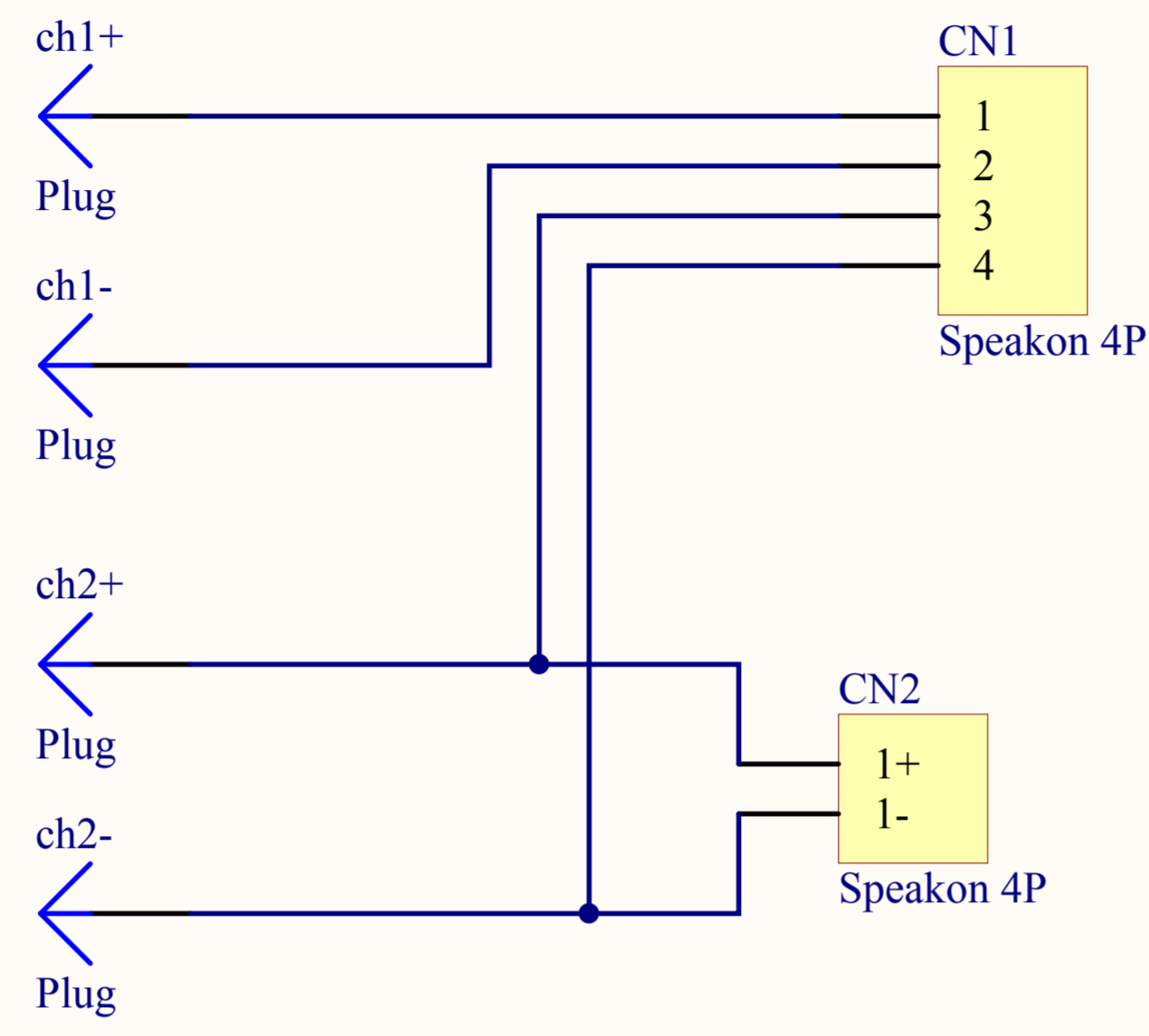


Title		
Size	Number	Revision
A4		
Date:	31/05/2007	Sheet of
File:	M:\Projecten R&D\..\back_io.SchDoc	Drawn By:

**AUDAC** Dx Back Output PCB V1.0







Title		
Size	Number	Revision
A4		
Date:	31/05/2007	Sheet of
File:	M:\Projecten R&D\..\back_output.SchDoc	Drawn By: