

INPUT CLIP SENSE

PROCESS BYPASS

LINE OUTPUT

LINE INPUT

VGA 2 CV

VGA 1 INPUT

COMPRESSOR CV SUM

HF DETAIL IN

DE-ESSER CV SUM

DE-ESSER PROCESS

LEDG7020B3

TP360095

TP360095

TP360095

TP360095

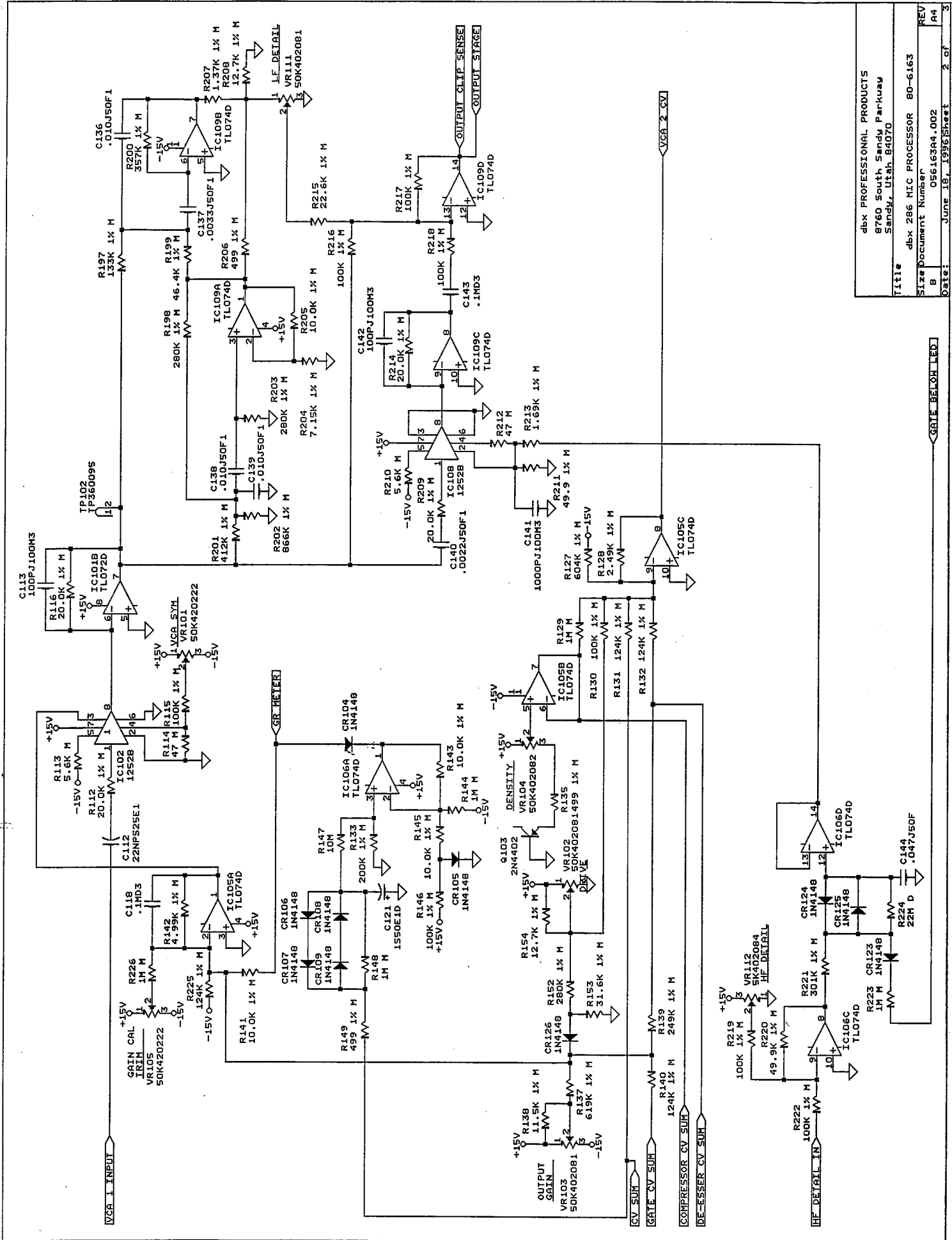
dbx PROFESSIONAL PRODUCTS
8760 South Sandy Parkway
Sandy, Utah 84070

Title dbx 288 MIC PROCESSOR 8D-6163

Size document Number 056163A4.001

Date: JUN 18, 1996 Sheet 1 of 3

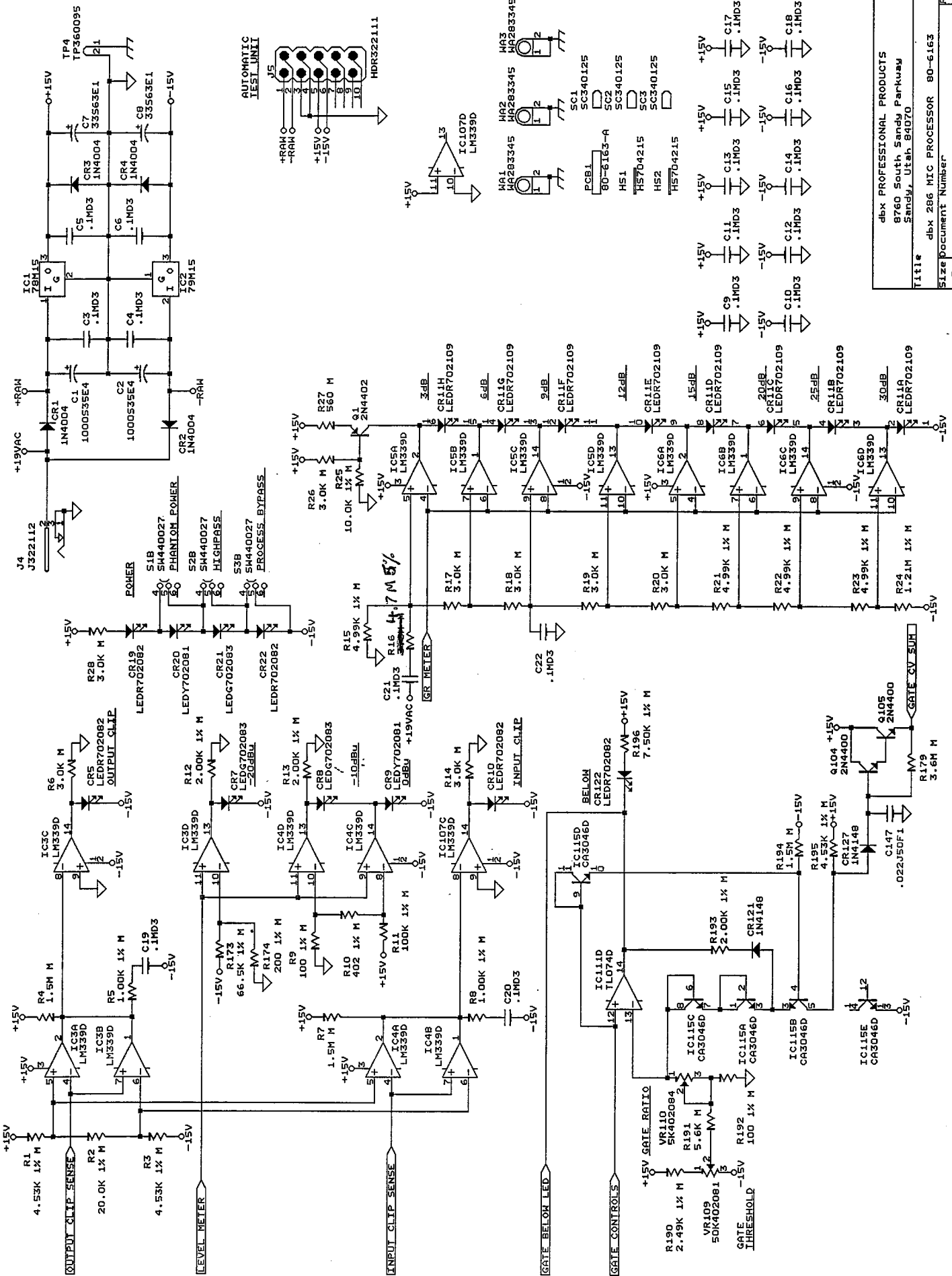
REV A4



dbx PROFESSIONAL PRODUCTS
 8760 South Sandy Parkway
 Sandy, Utah 84070

Title dbx 286 MIC PROCESSOR 80-6163
 Size Document Number 056163A4.002
 REV A4
 Date: June 18, 1995 Sheet 2 of 3

GATE BELOW LED



dbx PROFESSIONAL PRODUCTS	
8760 South Sandy Parkway	
Sandy, Utah 84070	
Title	dbx 286 MIC PROCESSOR 80-6163
Size	Document Number 056163A4.003
REV	R4
Date:	June 18, 1996 Sheet 3 of 3