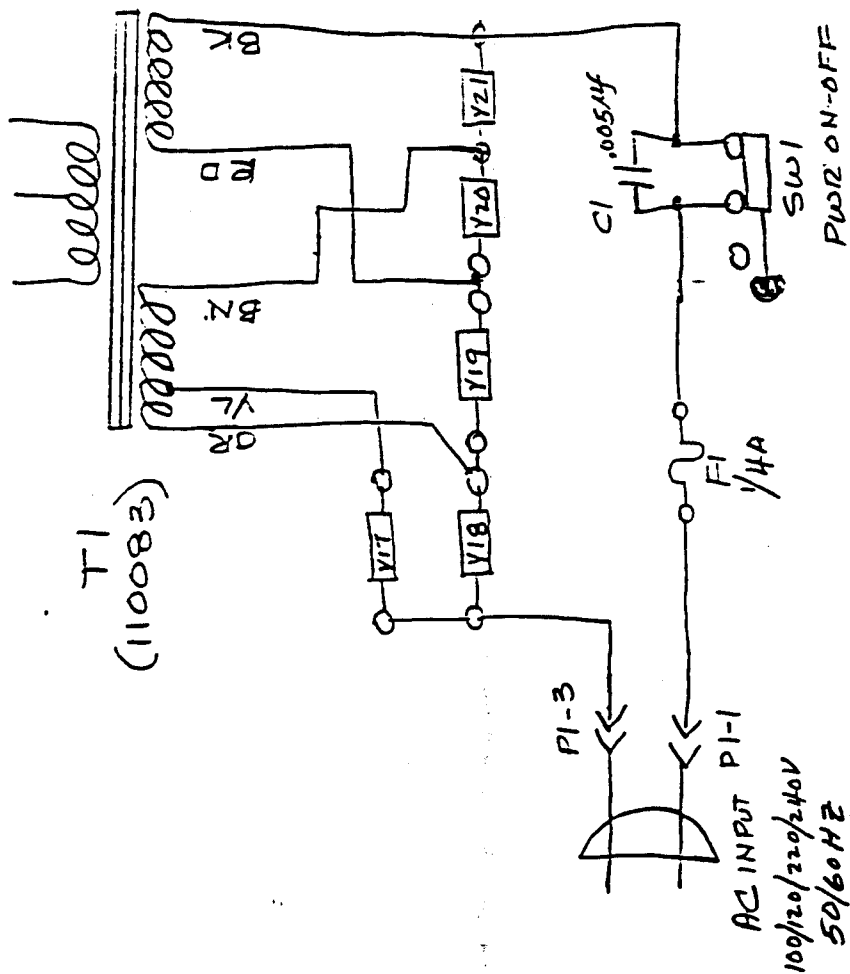

Schematics, Assembly Drawings, Parts List





JUMPER CONNECTIONS FOR XFRM PRIMARY			
100V	Y17	Y18	Y19
220V	Y17	Y18	Y20
240V	Y18	Y19	Y20
	Y21		

MODEL 1604161
 POWER TRANSFORMER
 PRIMARY CONNECTIONS

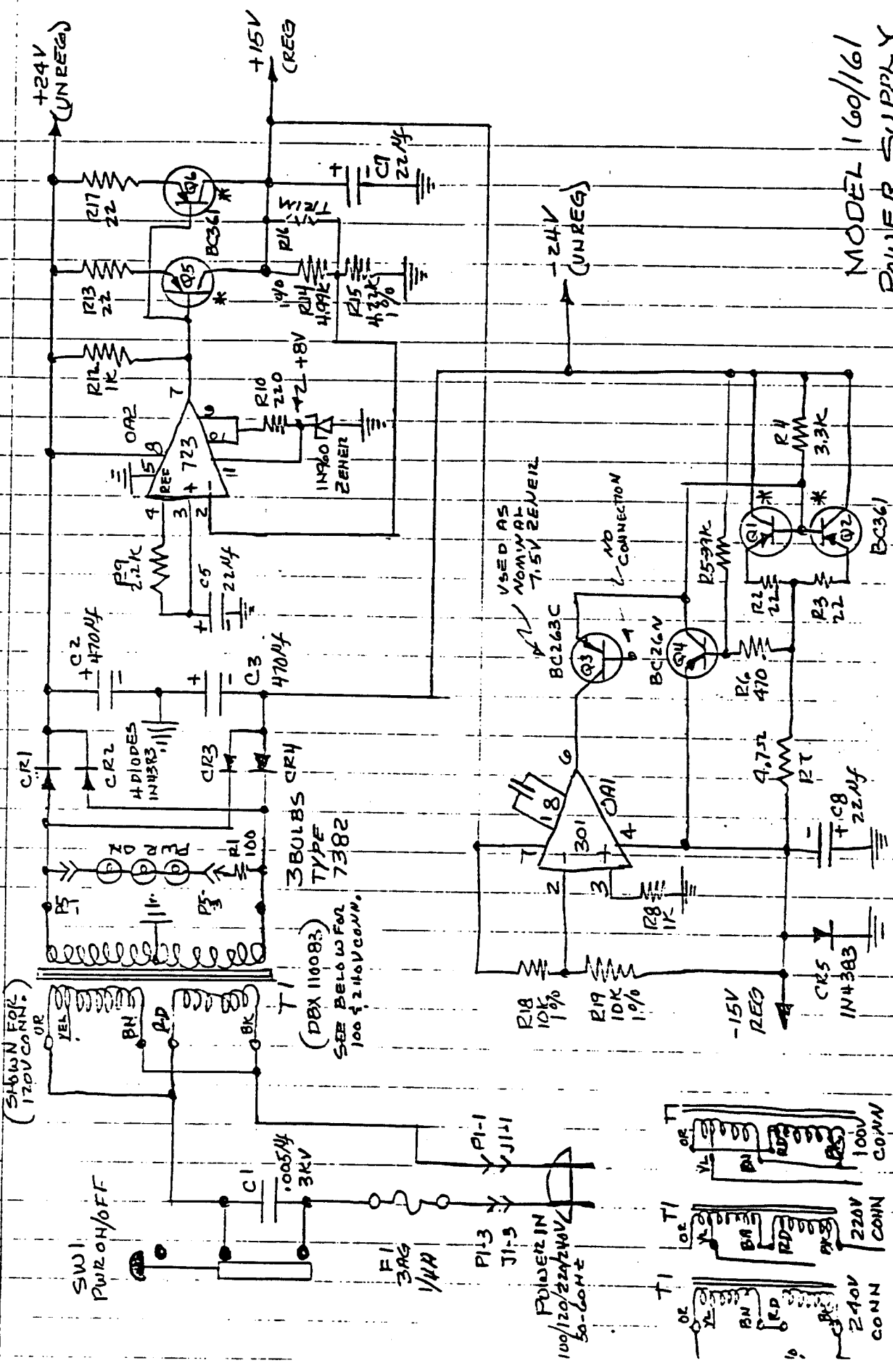
350025-03

1-17-72

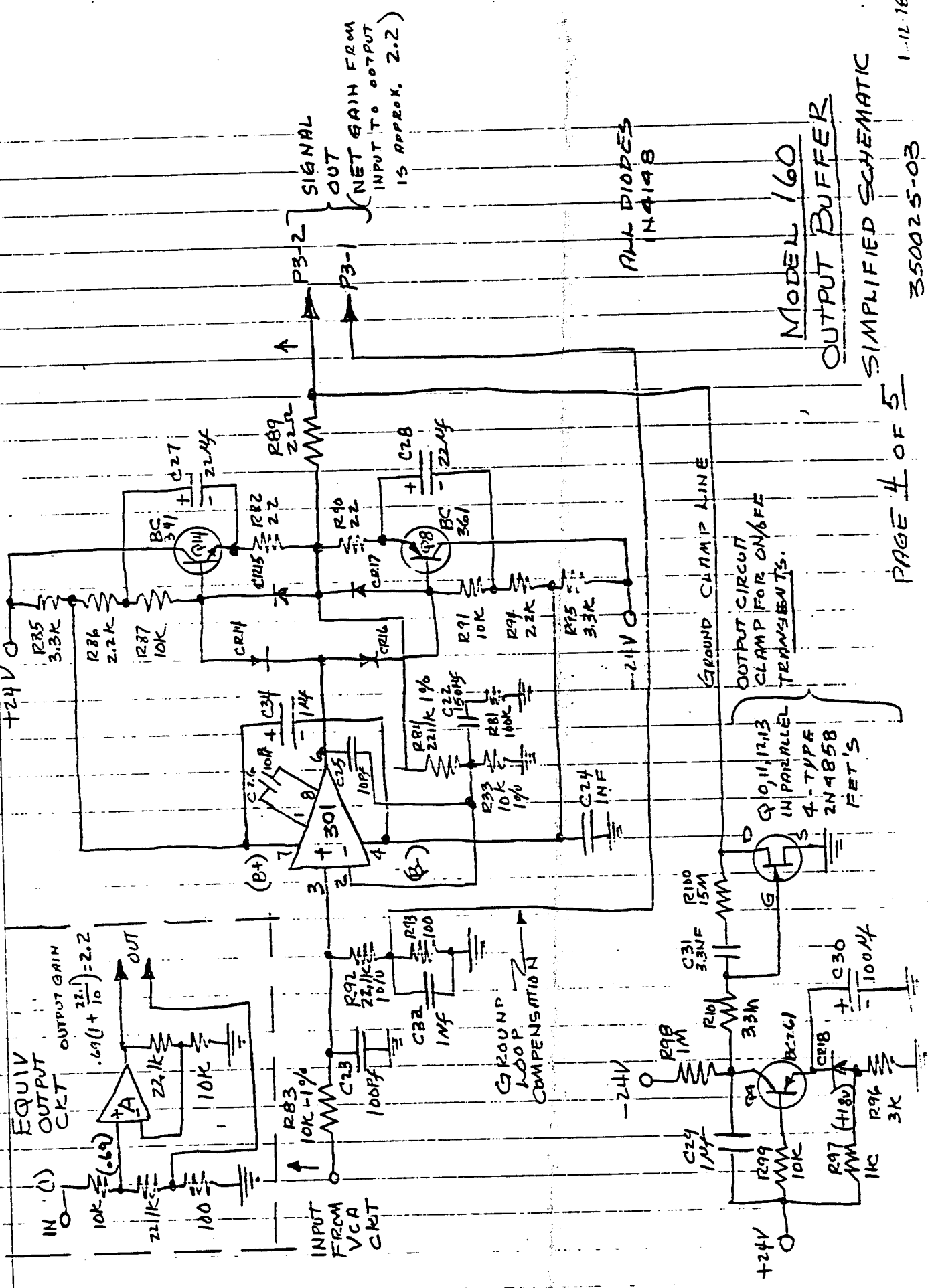
MODEL 160/161
POWER SUPPLY
SIMPLIFIED SCHEMATIC

350025-03 1-10-78

PAGE 5 OF 5

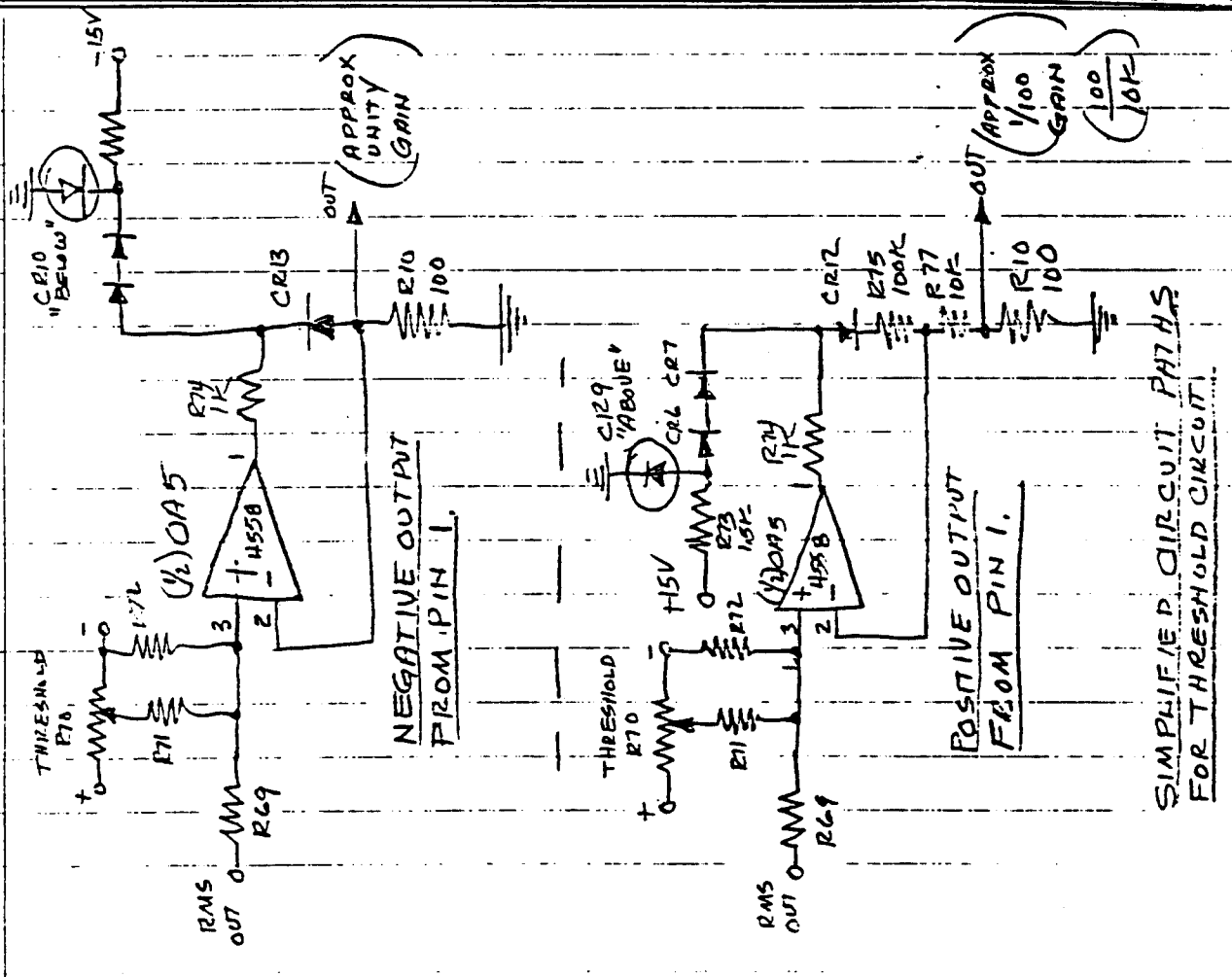
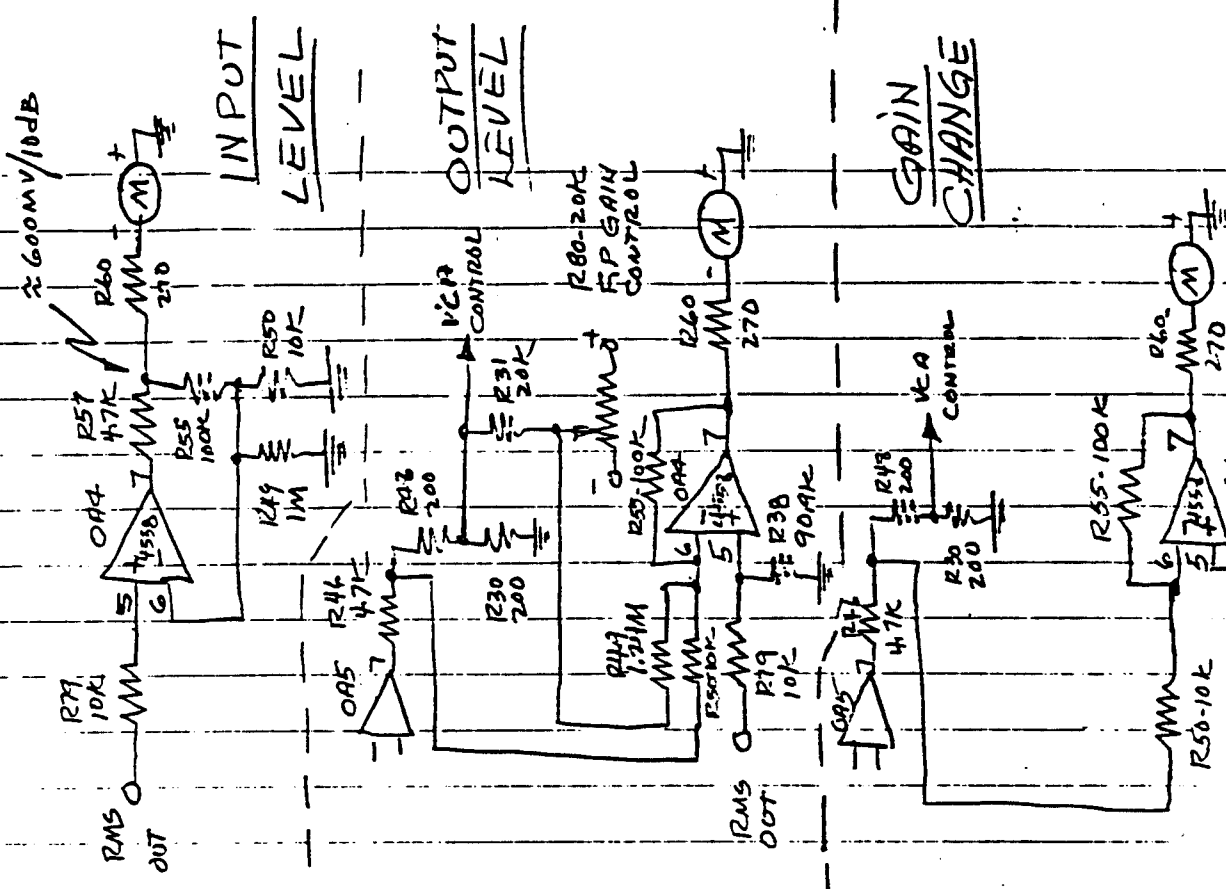


* INDICATES TRANSISTOR WITH HEAT SINK



MODEL 160
 OUTPUT BUFFER
 SIMPLIFIED SCHEMATIC

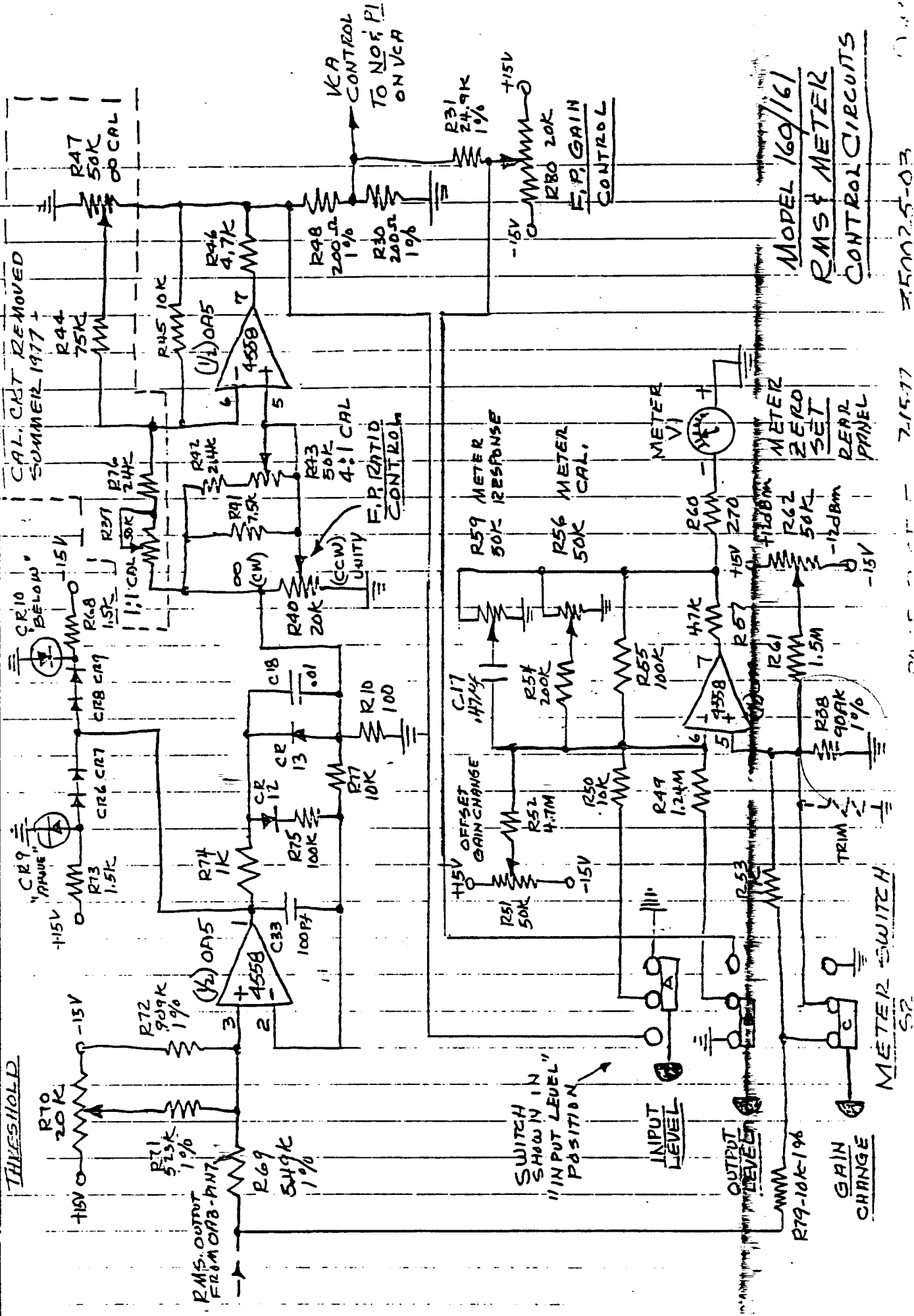
SIMPLIFIED CIRCUIT PATHS FOR METERING,



MOD 160/161
 SIMPLIFIED CKT P77115 - METER
 THRESHOLD'S

THRESHOLD

**CAL. CRT REMOVED
SUMMER 1977**



MODEL 169/161
RMS METER
CONTROL CIRCUITS

75002.5-03

7-15-77

METER ZERO SET REAR PANEL

METER SWITCH

SWITCH SHOWN IN INPUT LEVEL POSITION

INPUT LEVEL

OUTPUT LEVEL

GAIN CHANGE

R59 METER RESPONSE

R56 METER CAL.

METER VI

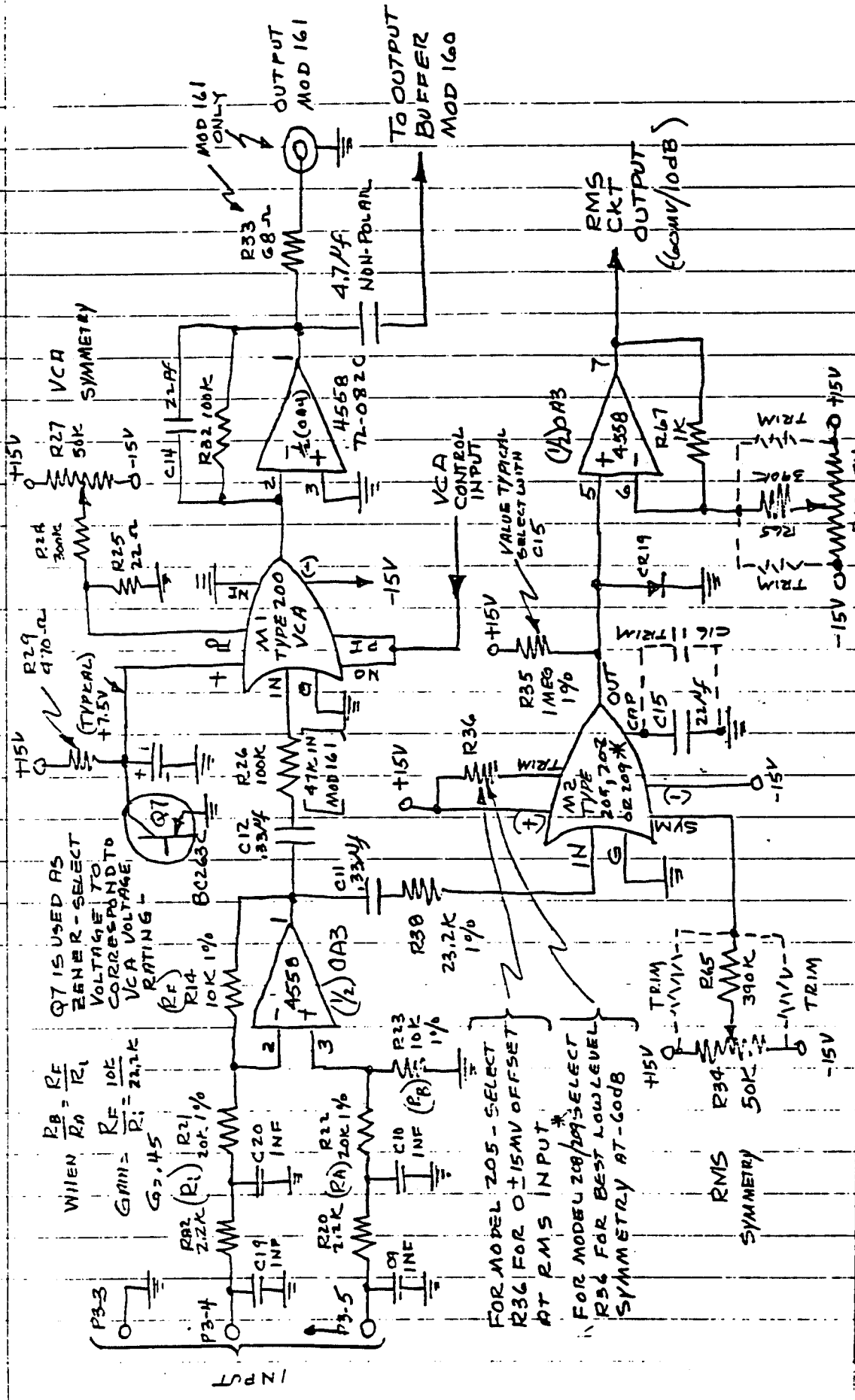
METER ZERO SET REAR PANEL

F.R. RATIO CONTROL

F.P. GAIN CONTROL

K.A CONTROL TO NO F.P.I ON VCA

52

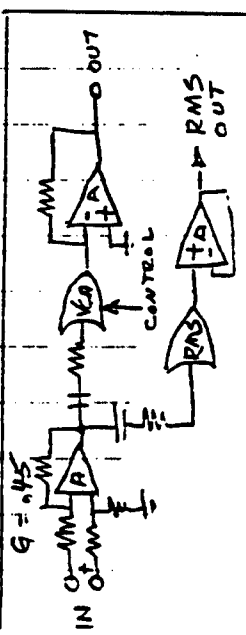


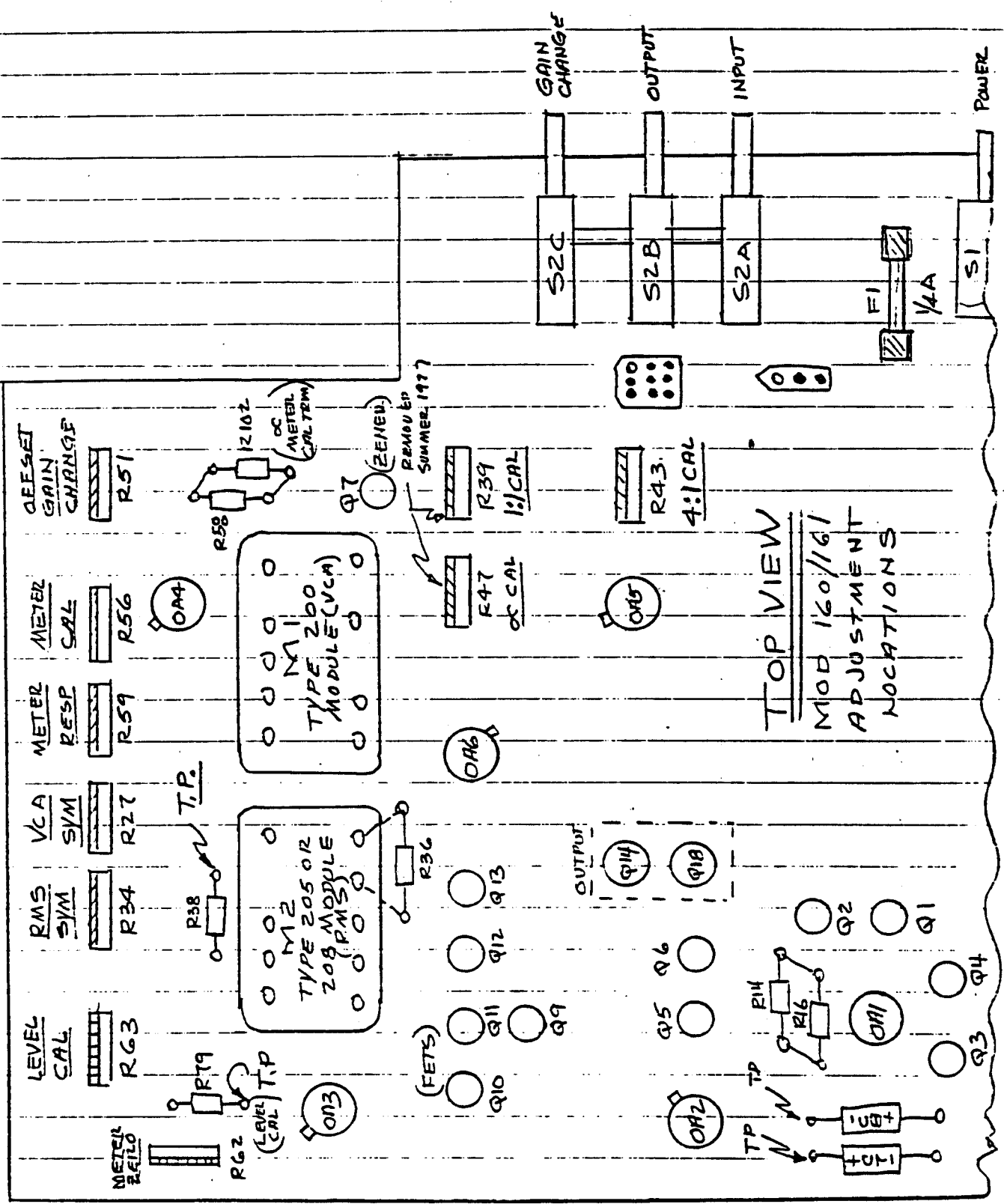
MOD 160/161
 VCA & RMS CIRCUIT
 SIMPLIFIED SCHEMATIC
 (FROM 340025 & 340026)

REV 1-12-78
 *NOTE: MODEL 208 DESIGNATION CHANGED TO MOD 209 ON 1-2-78

WHEN $\frac{R_B}{R_A} = \frac{R_F}{R_i}$
 $G_{MIN} = \frac{R_F}{R_i} = 22.2K$
 $G = 0.45$

FOR MODEL 205 - SELECT R36 FOR 0±15MV OFFSET AT RMS INPUT
 FOR MODEL 208/209 SELECT R34 FOR BEST LOW LEVEL SYMMETRY AT -60DB



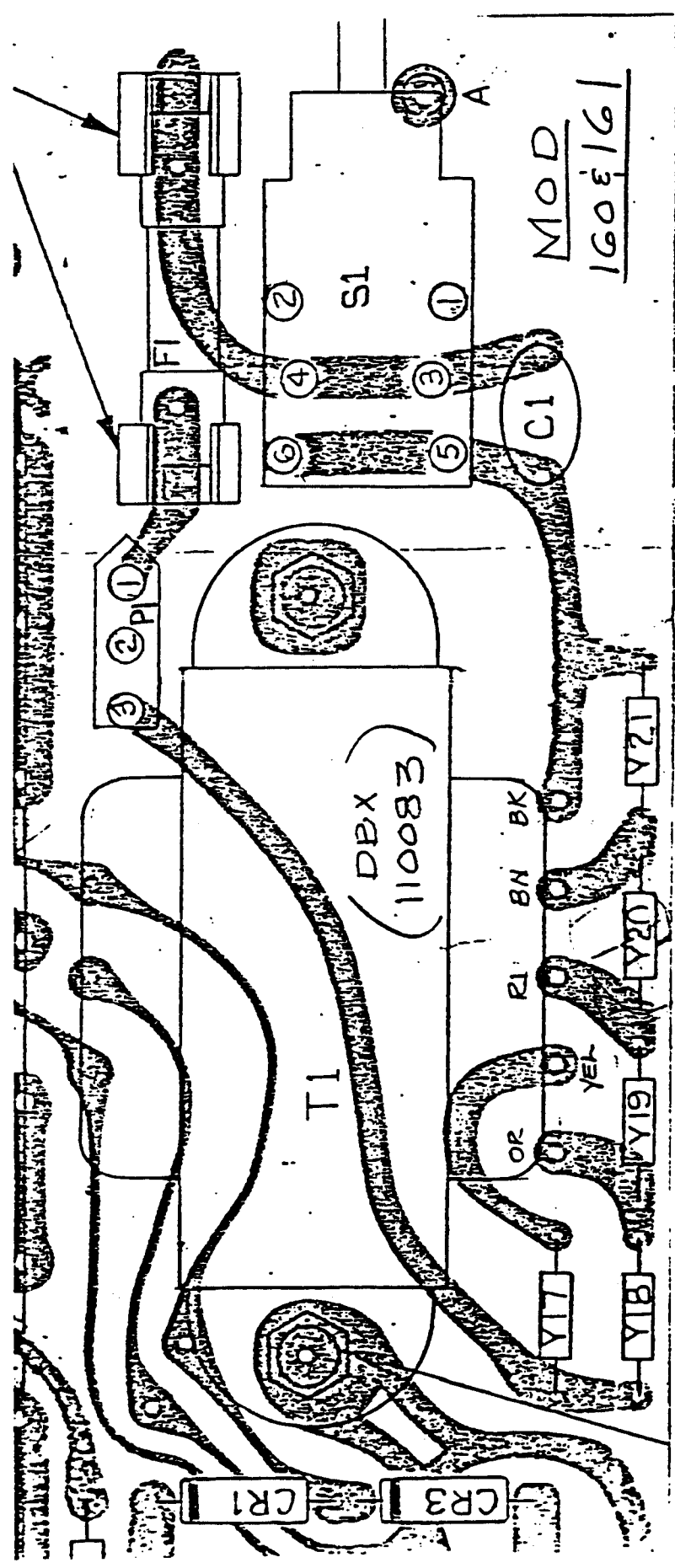


TOP VIEW
 MOD 120/161
 ADJUSTMENT
 LOCATIONS

REMOVED
 SUMMER 1977

Jumper Connections for XFRM Primary Voltages

100V	120V	220V	240V
Y17	Y18	Y17	Y18
Y19	Y19	Y20	Y20
Y21	Y21		



SEE CHART FOR JUMPER CONNECTIONS