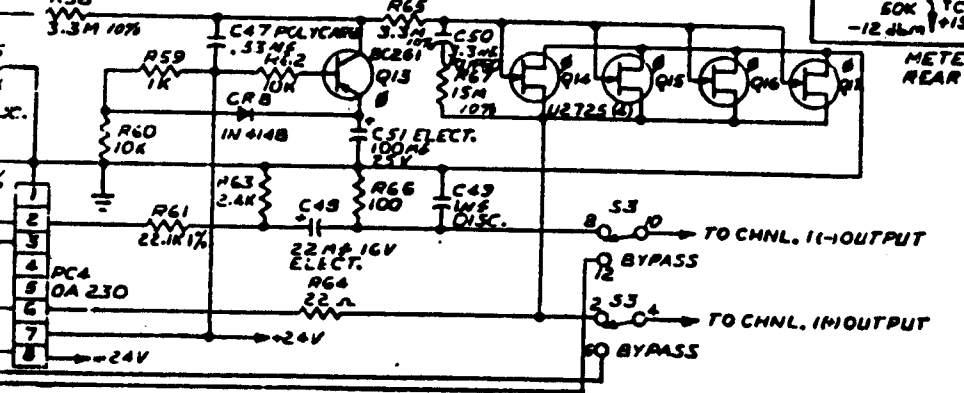
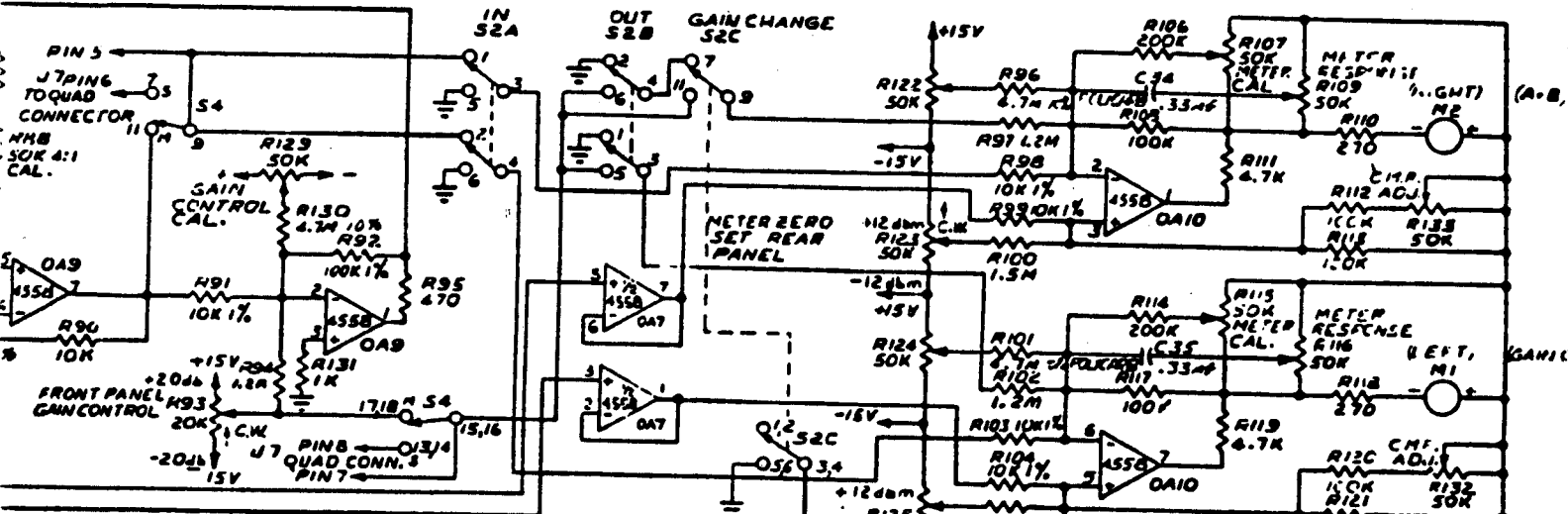
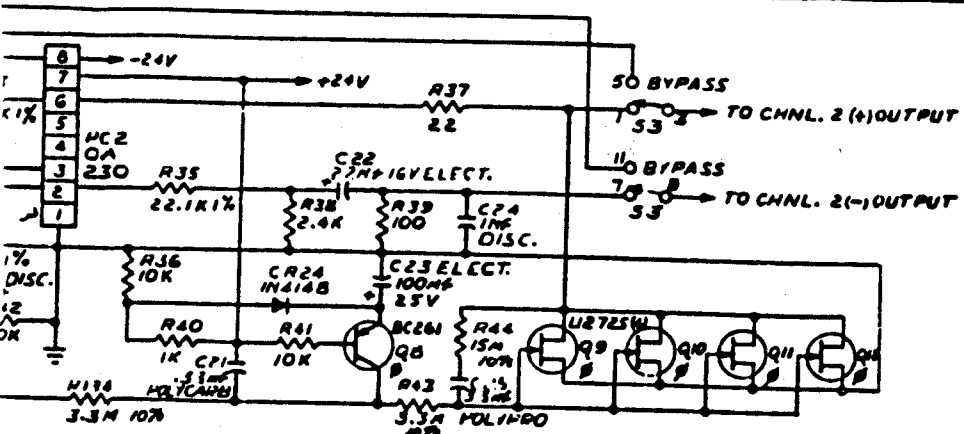


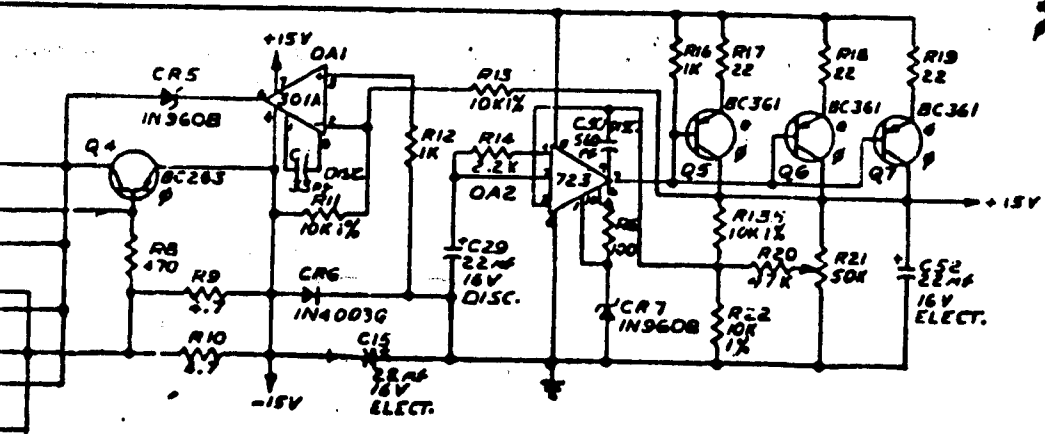
TERMINAL BLOCK CONNECTIONS

CODE	100V	120V	270V	240V
1111V	1	1	1	1
1111A	2	2	3	3
1111B	3	3	2	2
1111C	4	4	9	9
1111D	5	6	10	10
1111E	7	7	7	7
1111F	8	8	8	8
1111G	9	11	19	19
1111H	10	10	17	17
1111I	13	13	13	13
1111J	14	9	10	18
1111K	15	15	15	16
1111L	16	16	16	16
1111M	17	17	17	17
1111N	18	18	18	18
1111O	19	19	19	19

REV.	DESCRIPTION	DATE
01	CHG. PER FCC NO. 217	7/11/55
02	CHG. PER FCC NO. 220	7/18/55
03	CHG. PLO. LCO. NO. 208, 209	7/18/55
04	CHG. PER FCC NO. 209	8/1/55

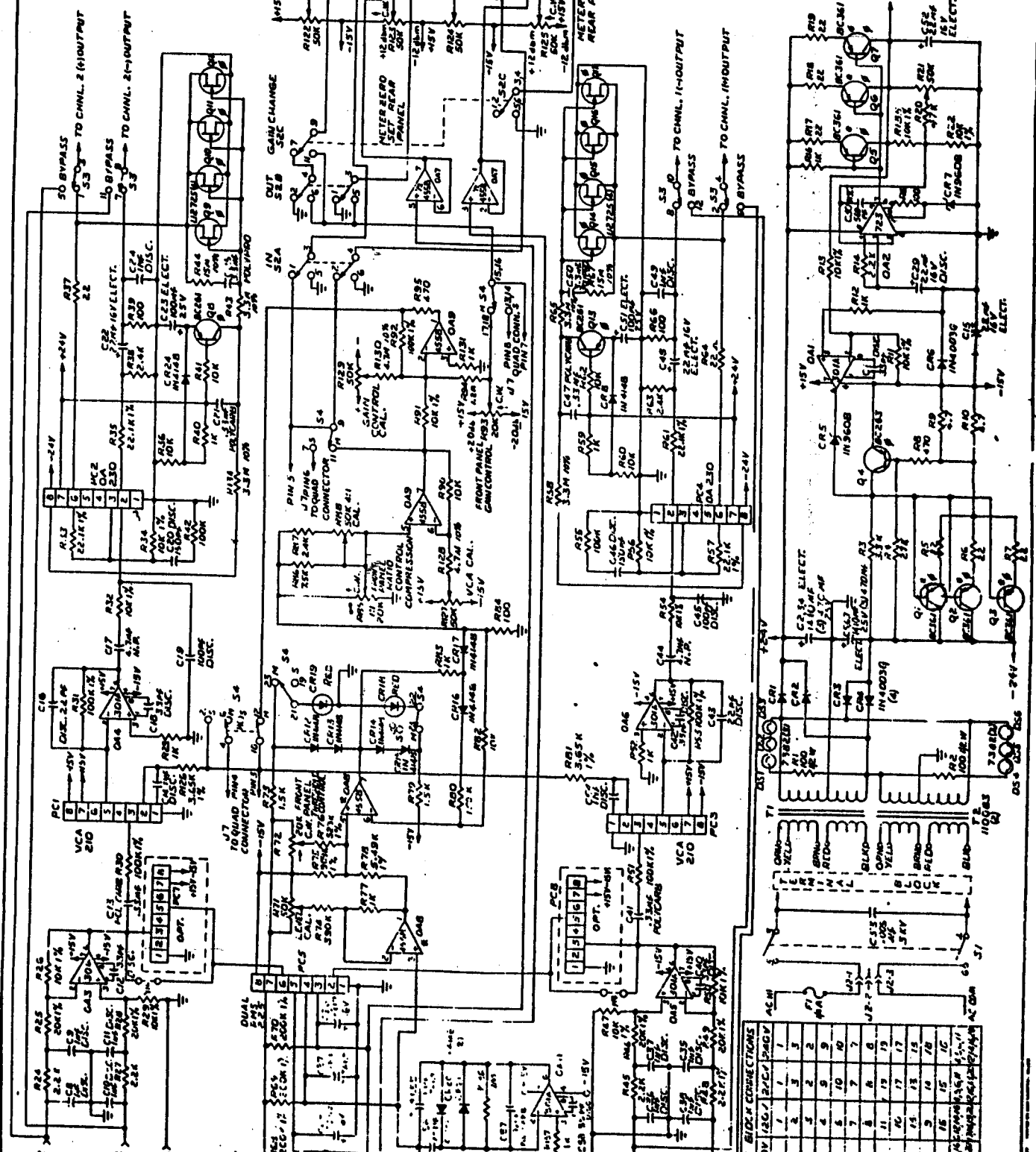


- NOTES:**
1. LAST REFERENCE DESIGNATION
 2. NON DESIGNATED QUAD CONNECTOR PIN CONNECTIONS:
 - J7-12 POWER GND.
 - J7-11 OPTION -15 -24
 - J7-10 OPTION +15 +24
 3. METASINCS USED IN Q1, Q2, Q3, Q4, Q5, Q6, Q7, Q8, Q9, Q10, Q11, Q12, Q13, Q14, Q15, Q16, Q17, Q18, Q19, Q20, Q21, Q22, Q23, Q24, Q25, Q26, Q27, Q28, Q29, Q30, Q31, Q32, Q33, Q34, Q35, Q36, Q37, Q38, Q39, Q40, Q41, Q42, Q43, Q44, Q45, Q46, Q47, Q48, Q49, Q50, Q51, Q52, Q53, Q54, Q55, Q56, Q57, Q58, Q59, Q60, Q61, Q62, Q63, Q64, Q65, Q66, Q67, Q68, Q69, Q70, Q71, Q72, Q73, Q74, Q75, Q76, Q77, Q78, Q79, Q80, Q81, Q82, Q83, Q84, Q85, Q86, Q87, Q88, Q89, Q90, Q91, Q92, Q93, Q94, Q95, Q96, Q97, Q98, Q99, Q100.
 4. USE TRANSISTOR 77-728 ON ALL CIRCUITS, UNLESS OTHERWISE SPECIFIED.
 5. UNLESS OTHERWISE SPECIFIED ALL RESISTORS ARE 5%.



DATE	BY	REVISION
5/28/56	RELEASED BY	SCHEMATIC
		MODEL 162

REV.	DESCRIPTION	DATE
D1	CMGE PCB ECC NO. 217	7/15/73
D2	CMGE PCB SLD NO. 217	8/1/73
D3	CMGE PCB SLD NO. 217	8/1/73
D4	CMGE PCB SLD NO. 217	8/1/73
D5	CMGE PCB SLD NO. 217	8/1/73



- NOTES:
1. LAST REFERENCE DESIGNATION
 2. USE TRANSFORMER DESIGNATION AS SHOWN ON DRAWING
 3. UNLESS OTHERWISE SPECIFIED ALL RESISTORS ARE 1/4 WATT
 4. UNLESS OTHERWISE SPECIFIED ALL CAPACITORS ARE 50V
 5. UNLESS OTHERWISE SPECIFIED ALL DIODES ARE 1N4001
 6. UNLESS OTHERWISE SPECIFIED ALL TRANSISTORS ARE 2N4350
 7. UNLESS OTHERWISE SPECIFIED ALL IC'S ARE 74LS00
 8. UNLESS OTHERWISE SPECIFIED ALL IC'S ARE 74LS00
 9. UNLESS OTHERWISE SPECIFIED ALL IC'S ARE 74LS00
 10. UNLESS OTHERWISE SPECIFIED ALL IC'S ARE 74LS00

SCHEMATIC MODEL 162

WINDING	RESISTANCE	INDUCTANCE	WINDING	RESISTANCE	INDUCTANCE
1	1000	100	11	1000	100
2	1000	100	12	1000	100
3	1000	100	13	1000	100
4	1000	100	14	1000	100
5	1000	100	15	1000	100
6	1000	100	16	1000	100
7	1000	100	17	1000	100
8	1000	100	18	1000	100
9	1000	100	19	1000	100
10	1000	100	20	1000	100