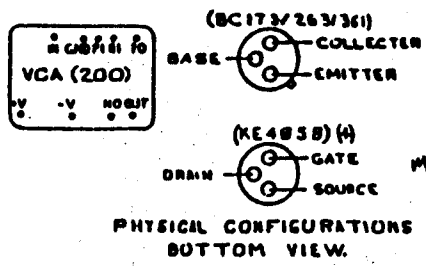
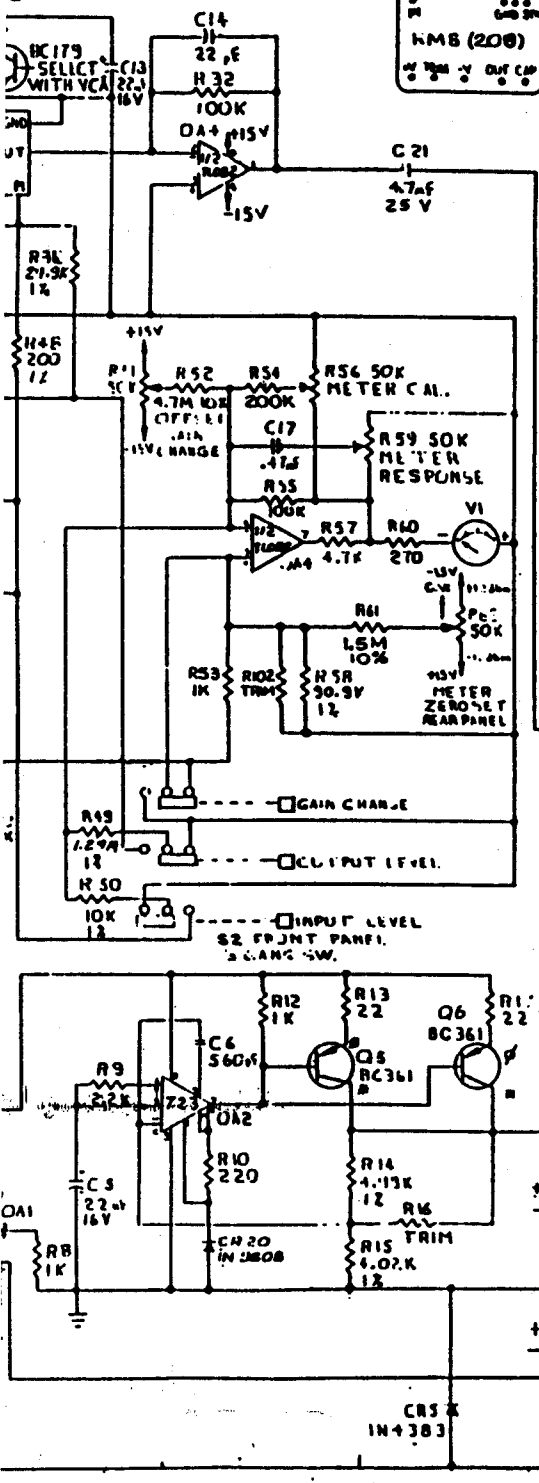
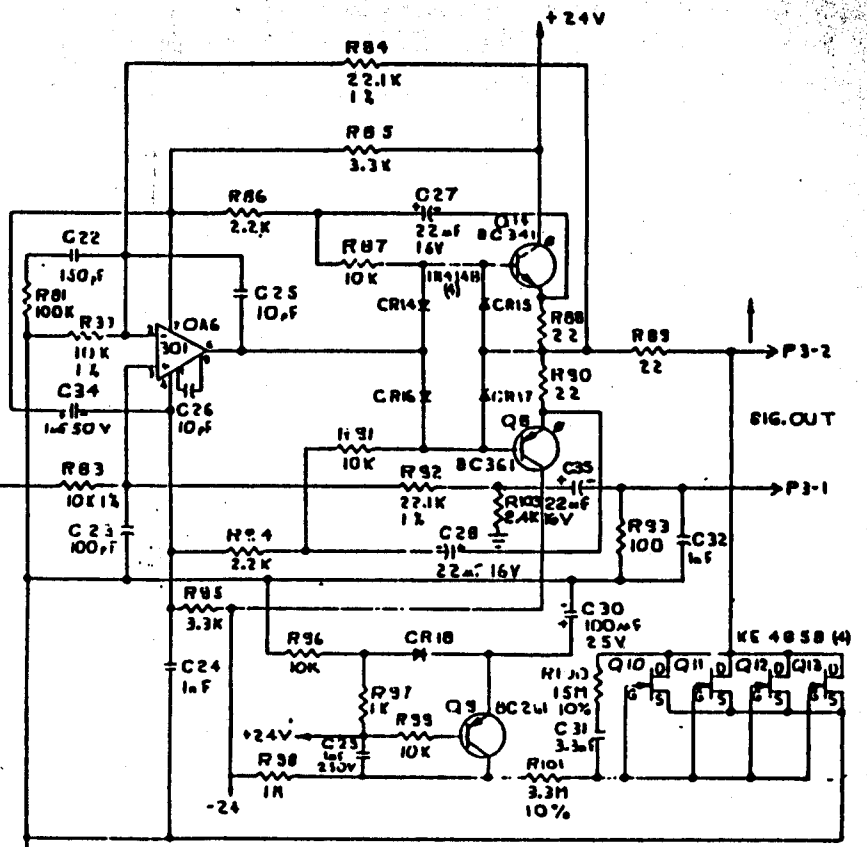


IV

9
0.



REV	DESCRIPTION	DATE
01	ADDED VALUE FOR R1	1/26/71
02	UPDATED PAPERWORK	2/24/71
03	CHG'D PER ECO 4152/135	2/18/71
04	CHG'D PER ECO NO. 148	2/18/71
05	CHG'D PER ECO 133	2/18/71
06	CHG'D PER ECO 168	2/18/71
07	CHG'D PER ECO 215	2/18/71
08	CHG'D PER ECO 236	2/18/71
09	CHG'D PER ECO 289	2/18/71
10	CHG'D PER ECO 336	2/18/71
11	CHG'D PER ECO 390	2/18/71
12	CHG'D PER ECO 453	2/18/71



- NOTES:
- UNLESS OTHERWISE SPECIFIED:
 - RESISTOR ARE EXPRESSED IN OHMS AND ARE 1/4W, 5%.
 - DIODES ARE IN 4148.
 - * INDICATES HEATSINK ON DEVICE.
 - LAST REF. DESIGNATIONS: C35, CR24, 52, T1, DS3, F1, M2, OA1, P5, Q13, R10B, AND V1.
 - REFERENCE ASSEMBLY DWG. = 260182.
 - * INDICATES TRANSIPADS ON DEVICE
 - * DR35 AND C15 ARE MATCHED PER DWG. 490001

dbx, INC. WALTHAM, MASS.

MODEL 160

340025

