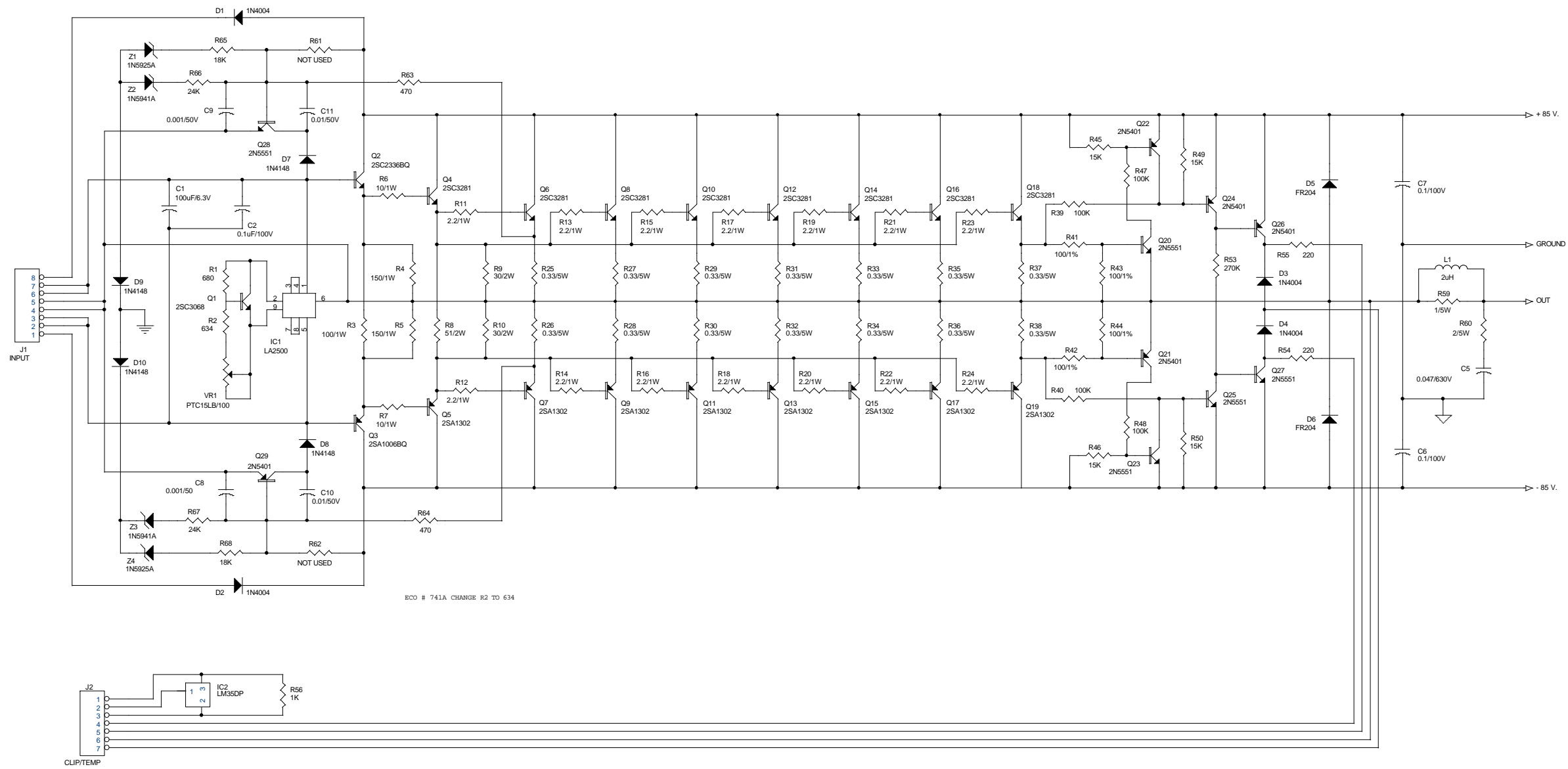


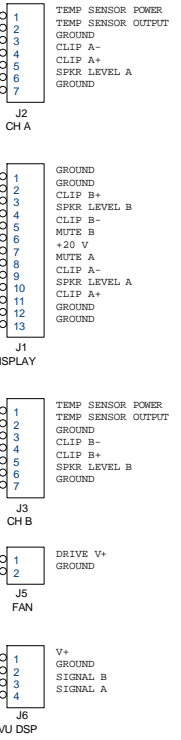
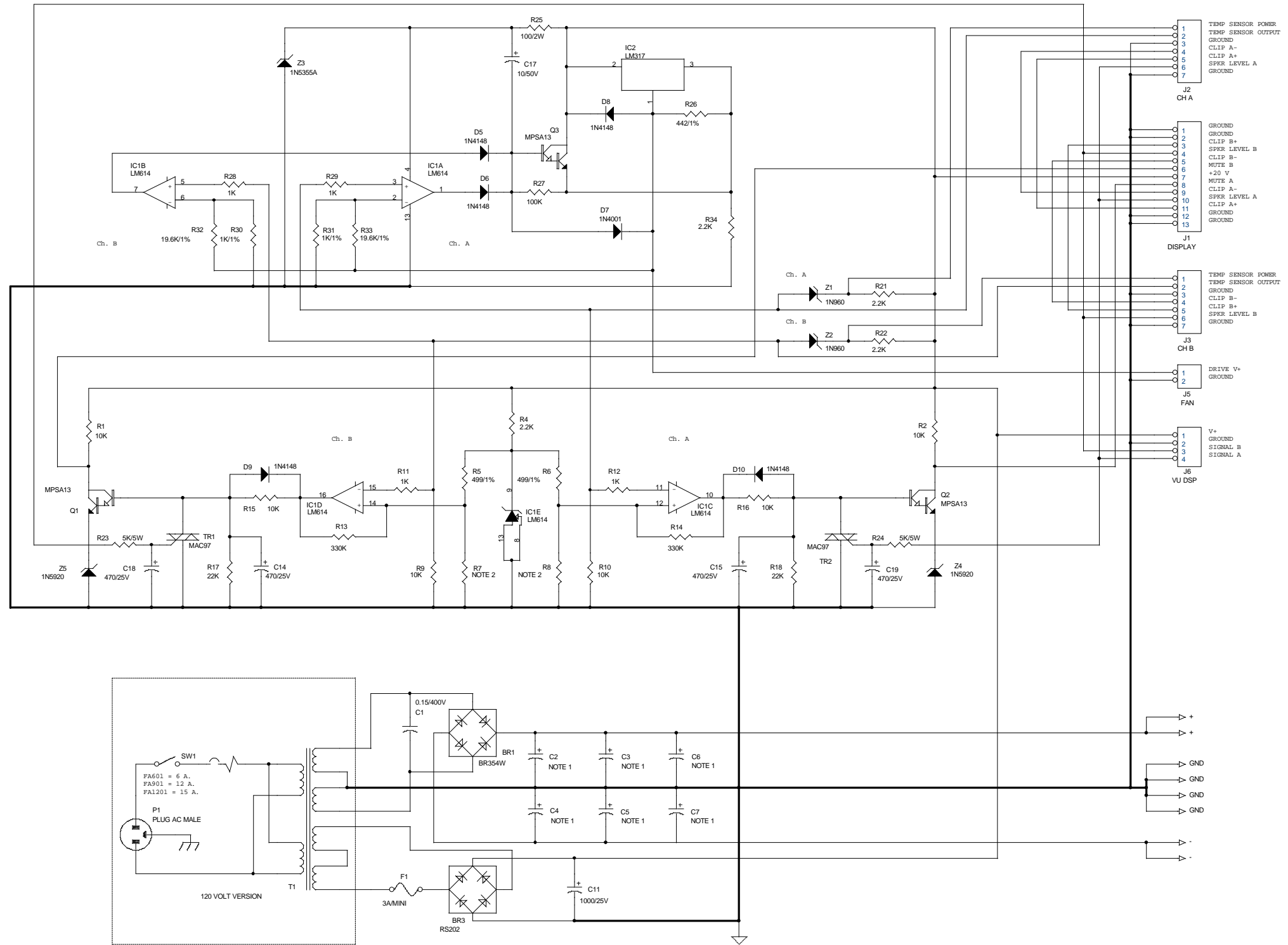
NOTE 1:
 FA601 = 13.3K/1%
 FA901 = 12.7K/1%
 FA1201 = 12.4K/1%
 FA2401 = 12.4K/1%

NOTE 2:
 FA601 = 30.1K/1%
 FA901 = 36.5K/1%
 FA1201 = 40.2K/1%
 FA2401 = 44.2K/1%

NOTE 3:
 FA601 = 680/10W
 FA901 = 820/10W
 FA1201 = 1K/10W

CREST AUDIO INC.
 150 Florence Avenue
 Hawthorne, NJ 07506
 Title
 PREAMP/DRIVER FOR FA SERIES
 Size B Document Number 21B0982 Rev
 Date: Thursday, January 24, 2002 Sheet 1 of 1

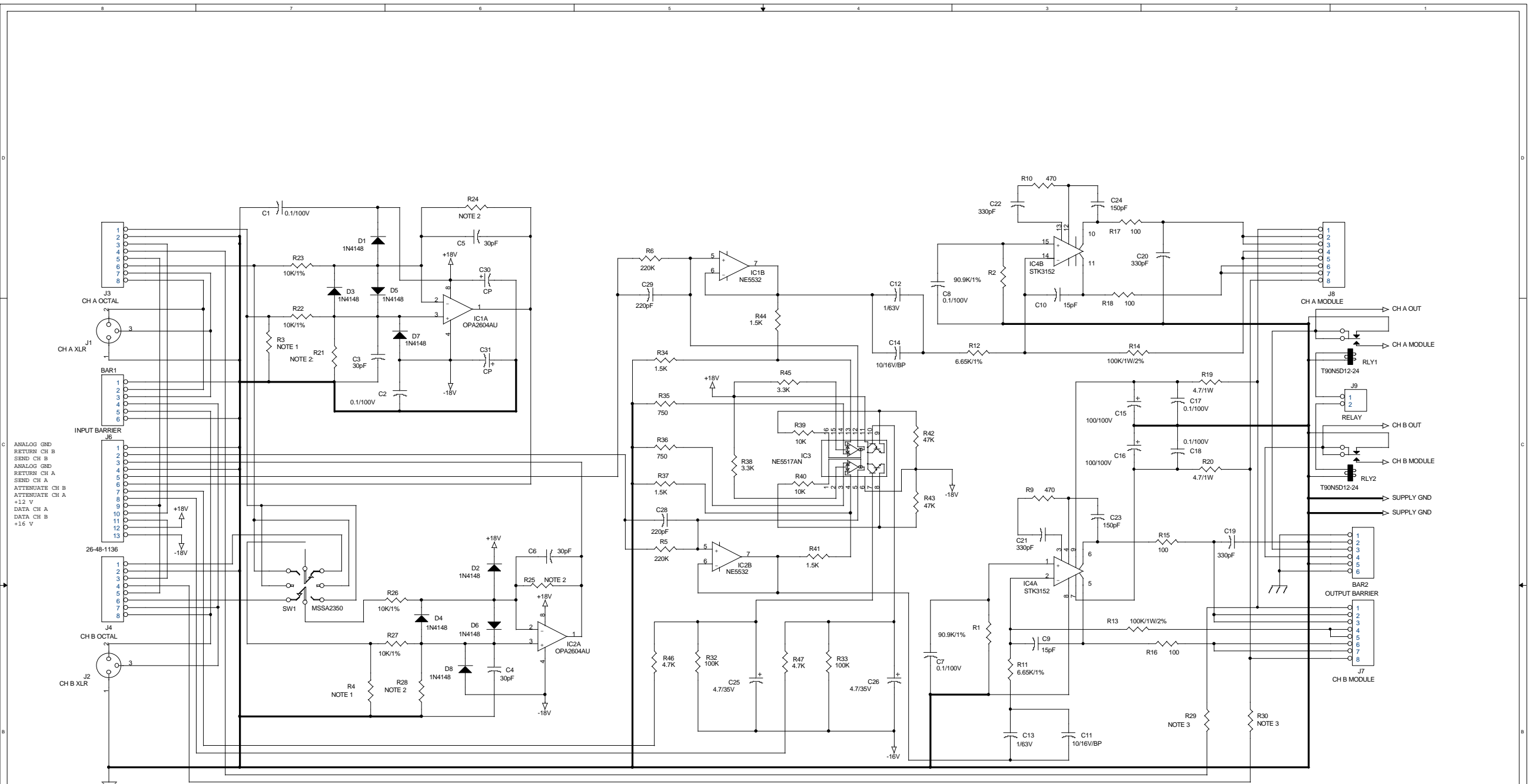




NOTE 1 C2 - C7 ARE 6,800µF/90V ON MODEL FA1201
 C2 - C5 ARE 7,300µF/80V ON MODEL FA901. C6, C7 ARE NOT USED
 C2 & C4 ARE 10,000µF/67V ON MODEL FA601. C3, C5, C6, C7 ARE NOT USED

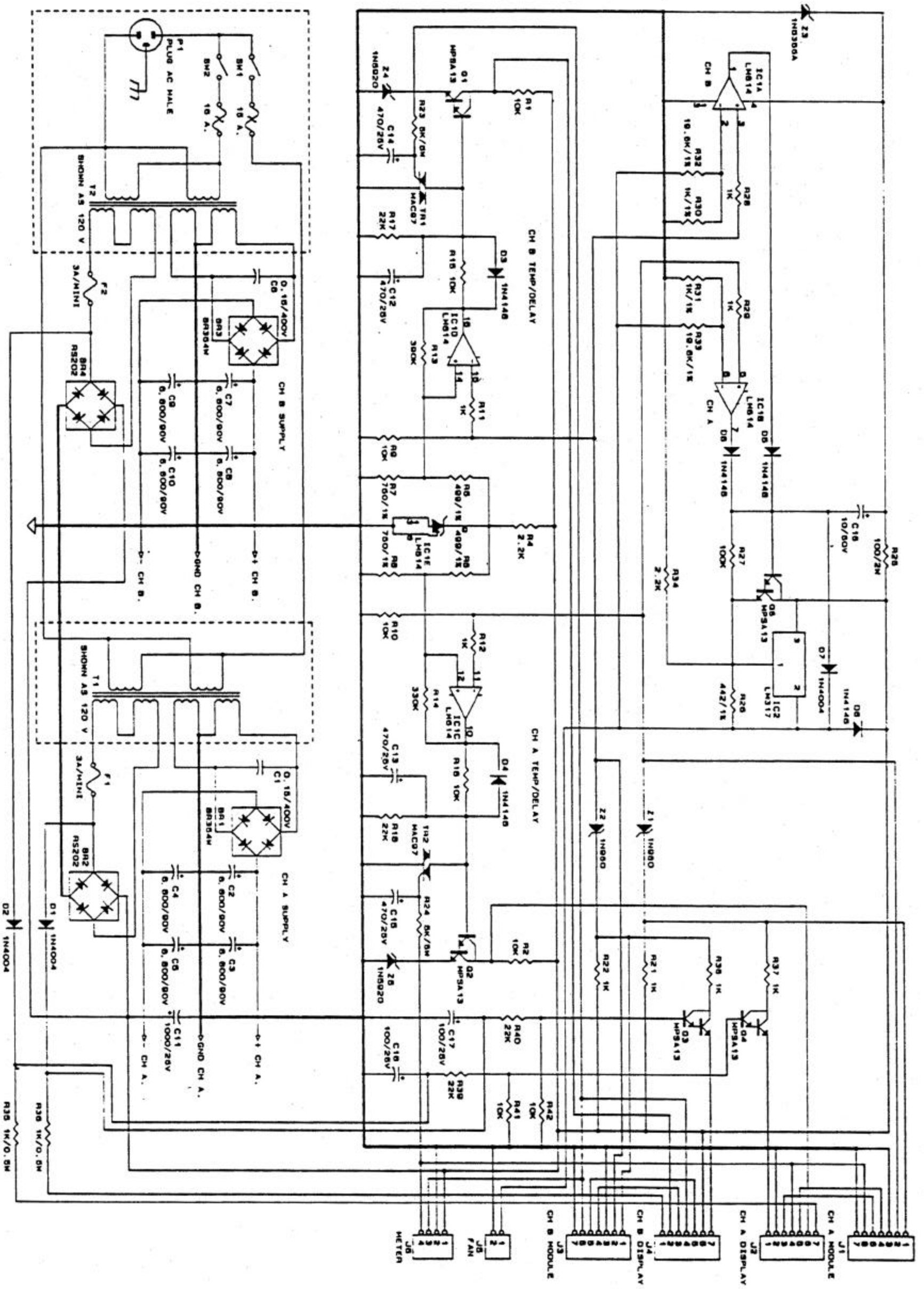
NOTE 2 R7 & R8 ARE 1K/1% ON MODELS FA901 & FA1201, AND 750/1% ON MODEL FA601

CREST AUDIO INC.
 150 Florence Ave.
 Hawthorne, NJ 07506
 Title FA SERIES POWER SUPPLY/FAN DRIVER
 Size C Document Number 21C0998 Rev 2
 Date: Thursday, January 24, 2002 Sheet 1 of 1

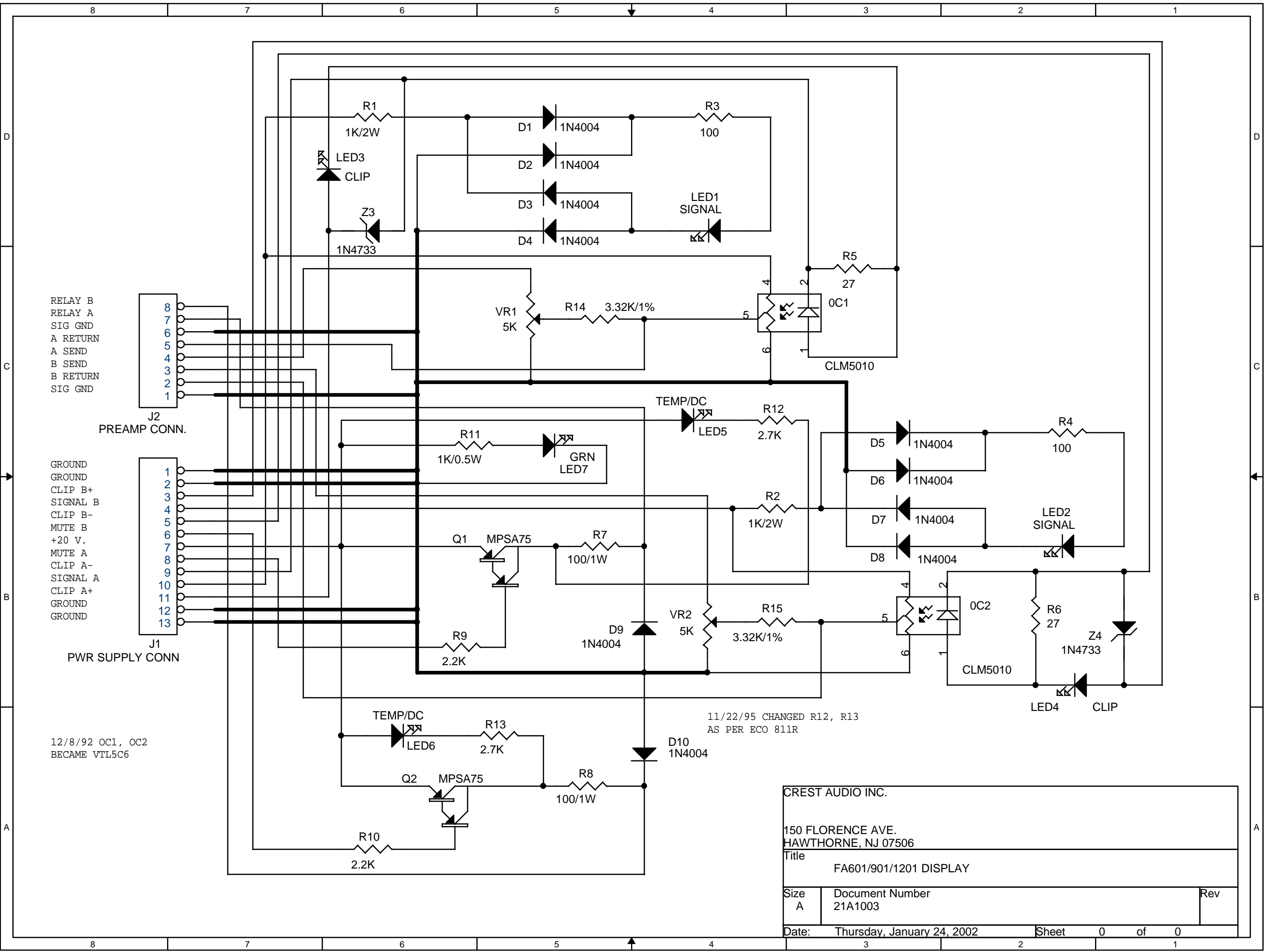


10/13/92 CHANGED J6 TO 13 PIN

- NOTE 1: FA601 = 13.3K/1%
 FA901 = 12.7K/1%
 FA1201 = 12.4K/1%
 FA2401 = 12.4K/1%
- NOTE 2: FA601 = 30.1K/1%
 FA901 = 36.5K/1%
 FA1201 = 40.2K/1%
 FA2401 = 44.2K/1%
- NOTE 3: FA601 = 680/10W
 FA901 = 820/10W
 FA1201 = 1K/10W
 FA2401 = 1K/10W
- NOTE 4: FA601 = 1.3K/7W
 FA901 = 1K/7W
 FA1201 = 1.2K/7W
 FA2401 = 1.2K/7W



CREST AUDIO INC.
 180 Florence Ave.
 HARTFORD, CT 07808
 P42400/2401 POWER SUPPLY/FAN DRIVERS
 Size Document Number 21C1007
 DATE: FEBRUARY 8, 1980



RELAY B
RELAY A
SIG GND
A RETURN
A SEND
B SEND
B RETURN
SIG GND

J2
PREAMP CONN.

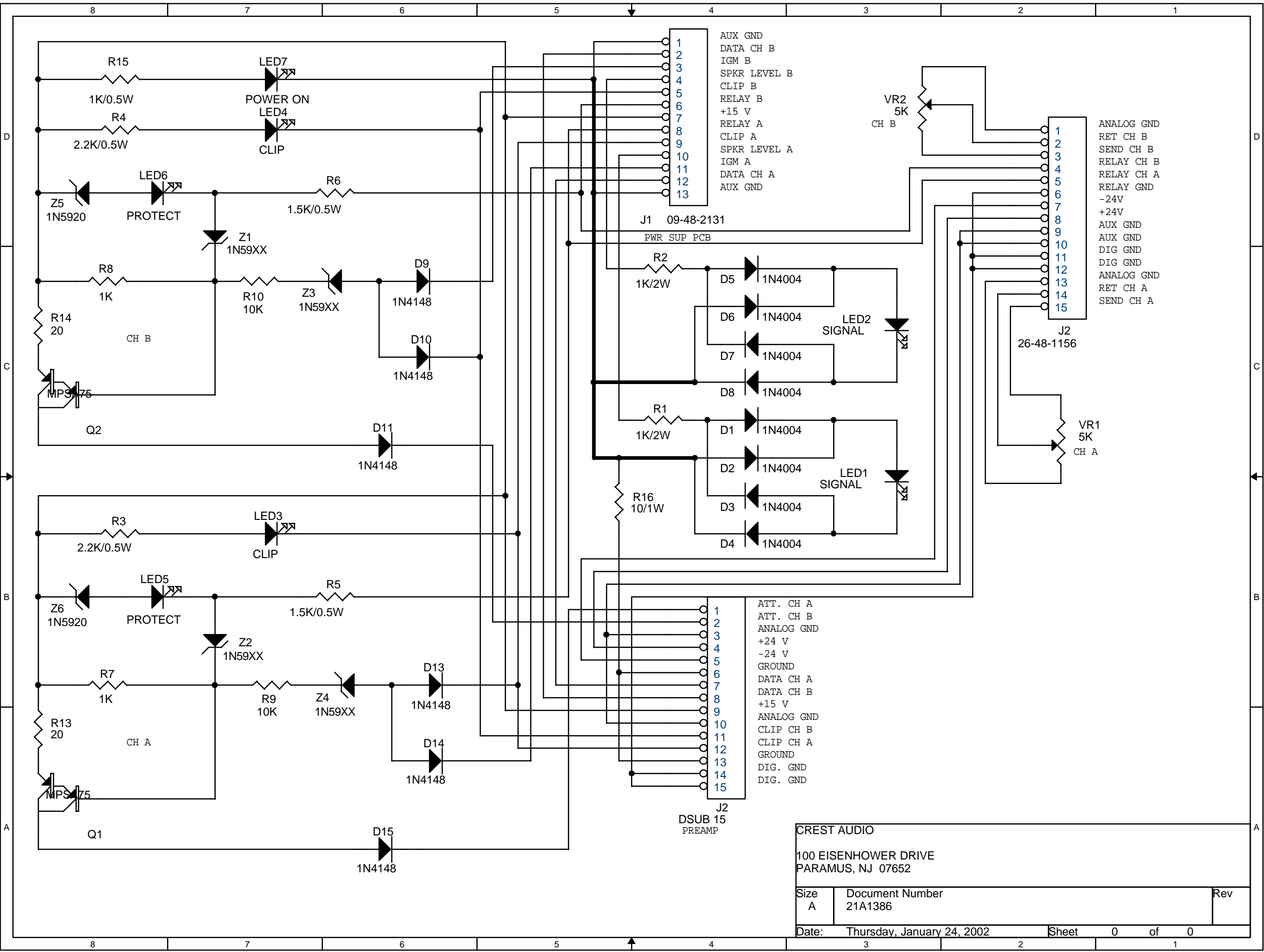
GROUND
GROUND
CLIP B+
SIGNAL B
CLIP B-
MUTE B
+20 V.
MUTE A
CLIP A-
SIGNAL A
CLIP A+
GROUND
GROUND

J1
PWR SUPPLY CONN

12/8/92 OC1, OC2
BECAME VTL5C6

11/22/95 CHANGED R12, R13
AS PER ECO 811R

CREST AUDIO INC.		
150 FLORENCE AVE. HAWTHORNE, NJ 07506		
Title FA601/901/1201 DISPLAY		
Size A	Document Number 21A1003	Rev
Date: Thursday, January 24, 2002	Sheet 0	of 0



- 1 AUX GND
- 2 DATA CH B
- 3 IGM B
- 4 SPKR LEVEL B
- 5 CLIP B
- 6 RELAY B
- 7 +15 V
- 8 RELAY A
- 9 CLIP A
- 10 SPKR LEVEL A
- 11 IGM A
- 12 DATA CH A
- 13 AUX GND

J1 09-48-2131
PWR SUP PCB

- 1 ANALOG GND
- 2 RET CH B
- 3 SEND CH B
- 4 RELAY CH B
- 5 RELAY CH A
- 6 RELAY GND
- 7 -24V
- 8 +24V
- 9 AUX GND
- 10 AUX GND
- 11 DIG GND
- 12 DIG GND
- 13 ANALOG GND
- 14 RET CH A
- 15 SEND CH A

J2 26-48-1156

- 1 ATT. CH A
- 2 ATT. CH B
- 3 ANALOG GND
- 4 +24 V
- 5 -24 V
- 6 GROUND
- 7 DATA CH A
- 8 DATA CH B
- 9 +15 V
- 10 ANALOG GND
- 11 CLIP CH B
- 12 CLIP CH A
- 13 GROUND
- 14 DIG. GND
- 15 DIG. GND

J2 DSUB 15
PREAMP

CREST AUDIO
100 EISENHOWER DRIVE
PARAMUS, NJ 07652

Size A	Document Number 21A1386	Rev
Date: Thursday, January 24, 2002	Sheet 0 of 0	