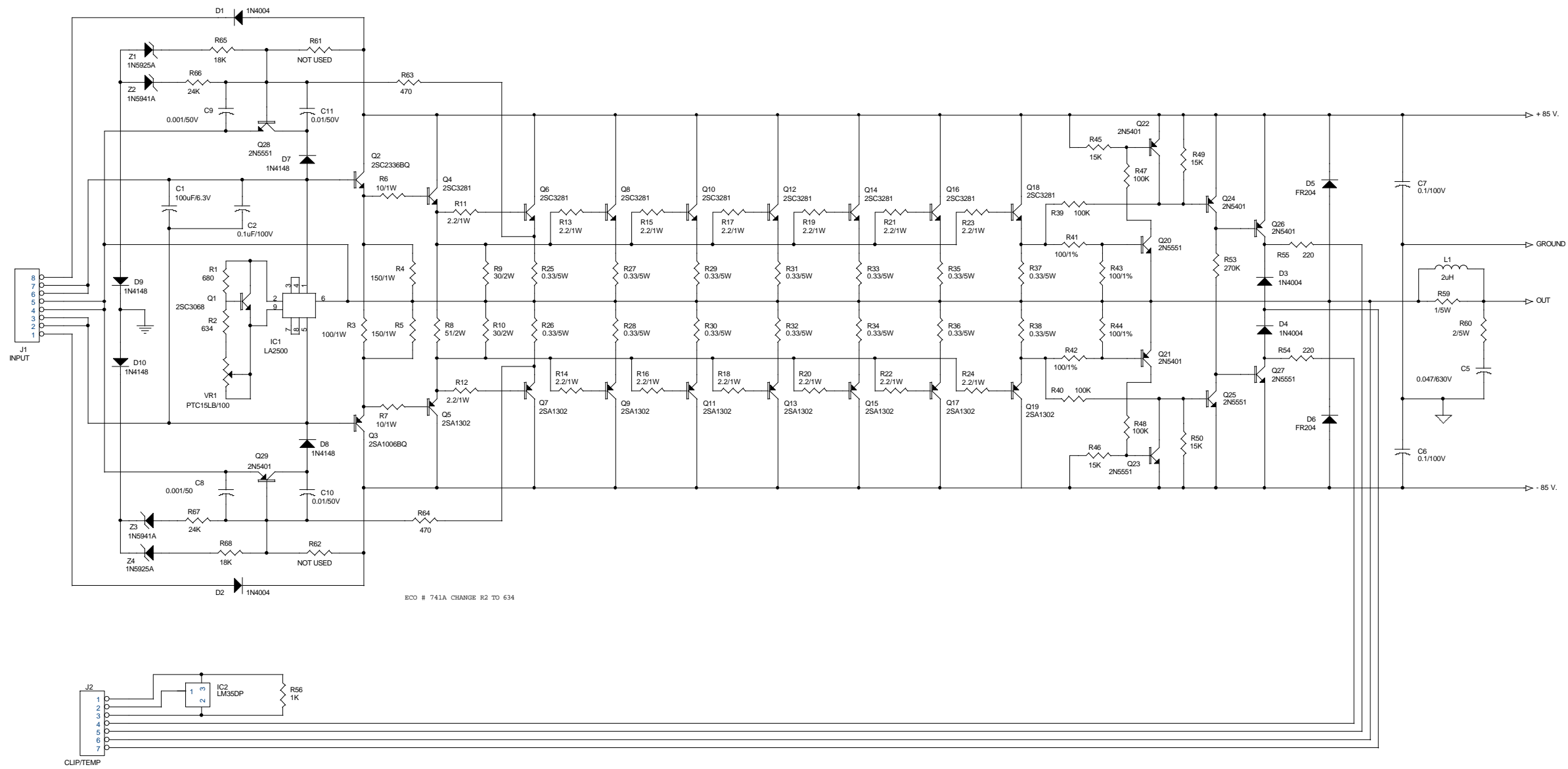


NOTE 1:
 FA601 = 13.3K/1%
 FA901 = 12.7K/1%
 FA1201 = 12.4K/1%
 FA2401 = 12.4K/1%

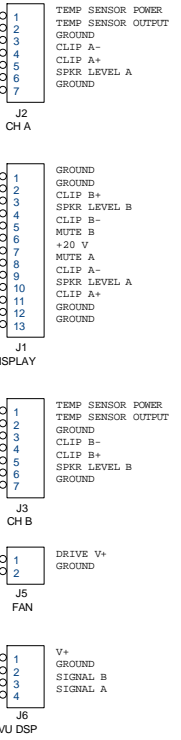
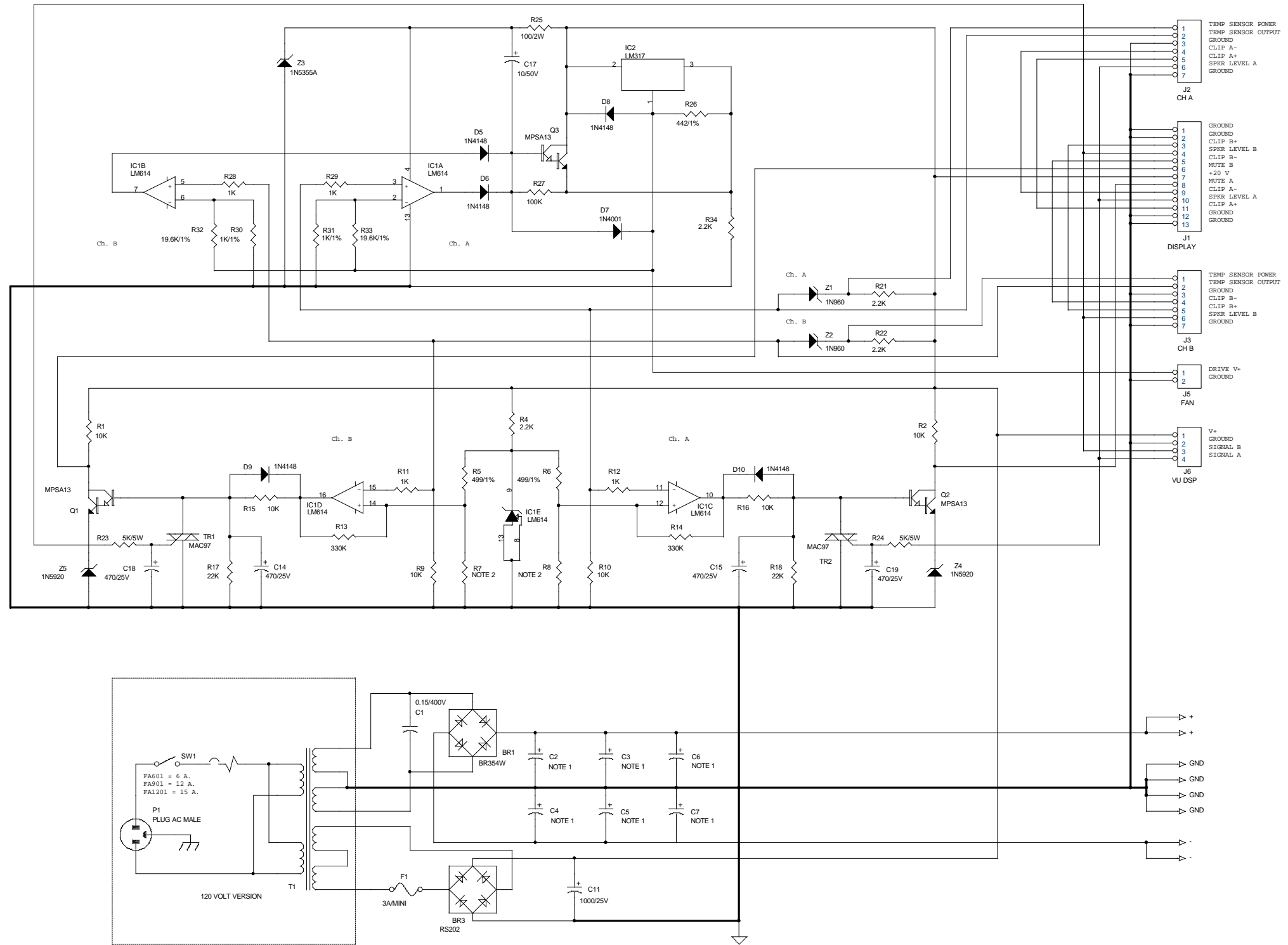
NOTE 2:
 FA601 = 30.1K/1%
 FA901 = 36.5K/1%
 FA1201 = 40.2K/1%
 FA2401 = 44.2K/1%

NOTE 3:
 FA601 = 680/10W
 FA901 = 820/10W
 FA1201 = 1K/10W

CREST AUDIO INC.
 150 Florence Avenue
 Hawthorne, NJ 07506
 Title
 PREAMP/DRIVER FOR FA SERIES
 Size B Document Number 21B0982 Rev
 Date: Thursday, January 24, 2002 Sheet 1 of 1



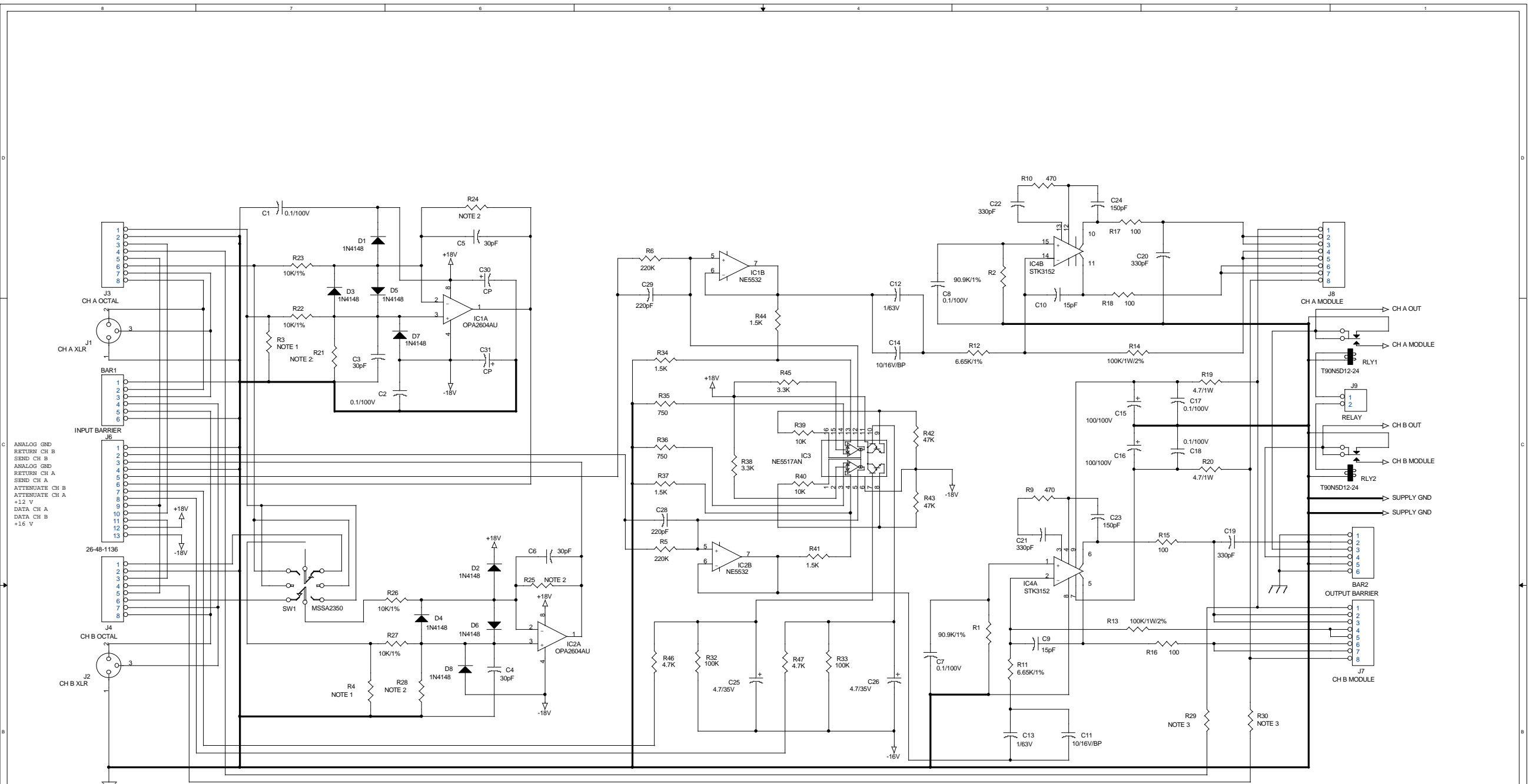
CREST AUDIO INC.		
150 Florence Ave. Hawthorne, NJ 07506		
Title FA1201/FA2401 OUTPUT STAGE		
Size C	Document Number 21C0983	Rev 1
Date: Thursday, January 24, 2002	Sheet 1	of 1



NOTE 1 C2 - C7 ARE 6,800µF/90V ON MODEL FA1201
 C2 - C5 ARE 7,300µF/80V ON MODEL FA901. C6, C7 ARE NOT USED
 C2 & C4 ARE 10,000µF/67V ON MODEL FA601. C3, C5, C6, C7 ARE NOT USED

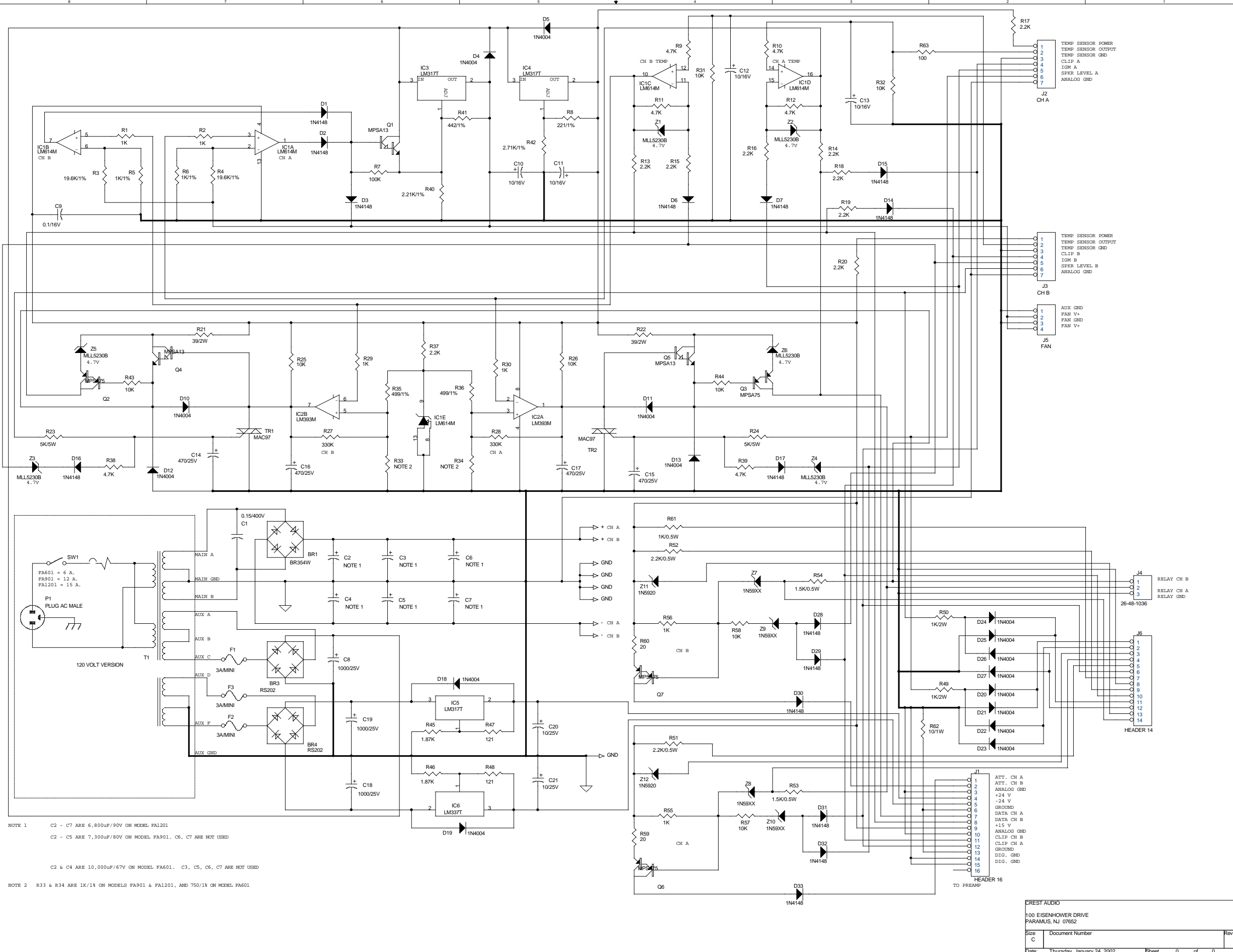
NOTE 2 R7 & R8 ARE 1K/1% ON MODELS FA901 & FA1201, AND 750/1% ON MODEL FA601

CREST AUDIO INC.
 150 Florence Ave.
 Hawthorne, NJ 07506
 Title FA SERIES POWER SUPPLY/FAN DRIVER
 Size C Document Number 21C0998 Rev 2
 Date: Thursday, January 24, 2002 Sheet 1 of 1



10/13/92 CHANGED J6 TO 13 PIN

- NOTE 1: FA601 = 13.3K/1%
 FA901 = 12.7K/1%
 FA1201 = 12.4K/1%
 FA2401 = 12.4K/1%
- NOTE 2: FA601 = 30.1K/1%
 FA901 = 36.5K/1%
 FA1201 = 40.2K/1%
 FA2401 = 44.2K/1%
- NOTE 3: FA601 = 680/10W
 FA901 = 820/10W
 FA1201 = 1K/10W
 FA2401 = 1K/10W
- NOTE 4: FA601 = 1.3K/7W
 FA901 = 1K/7W
 FA1201 = 1.2K/7W
 FA2401 = 1.2K/7W



NOTE 1 C2 - C7 ARE 6,800uF/90V ON MODEL FA1201
 C2 - C5 ARE 7,300uF/80V ON MODEL FA901. C6, C7 ARE NOT USED
 C2 & C4 ARE 10,000uF/67V ON MODEL FA601. C3, C5, C6, C7 ARE NOT USED

NOTE 2 R33 & R34 ARE 1K/1% ON MODELS FA901 & FA1201, AND 750/1% ON MODEL FA601

J2 CH A
 1 TEMP SENSOR POWER
 2 TEMP SENSOR OUTPUT
 3 TEMP SENSOR GND
 4 CLIP A
 5 IGM A
 6 SPKR LEVEL A
 7 ANALOG GND

J3 CH B
 1 TEMP SENSOR POWER
 2 TEMP SENSOR OUTPUT
 3 TEMP SENSOR GND
 4 CLIP B
 5 IGM B
 6 SPKR LEVEL B
 7 ANALOG GND

J5 FAN
 1 AUX GND
 2 FAN V+
 3 FAN GND
 4 FAN V+

J4 RELAY CH B
 1 RELAY CH A
 2 RELAY CH B
 3 RELAY GND

J6 HEADER 14
 1
 2
 3
 4
 5
 6
 7
 8
 9
 10
 11
 12
 13
 14

J1
 1 ATT. CH A
 2 ATT. CH B
 3 ANALOG GND
 4 +24 V
 5 -24 V
 6 GROUND
 7 DATA CH A
 8 DATA CH B
 9 +15 V
 10 ANALOG GND
 11 CLIP CH B
 12 CLIP CH A
 13 GROUND
 14 DIG. GND
 15 DIG. GND
 16 DIG. GND

CREST AUDIO
 100 EISENHOWER DRIVE
 PARAMUS, NJ 07652
 Size Document Number
 Date: Thursday, January 24, 2002 Sheet 0 of 0