

NOTE 1:  
 FA601 = 13.3K/1%  
 FA901 = 12.7K/1%  
 FA1201 = 12.4K/1%  
 FA2401 = 12.4K/1%

NOTE 2:  
 FA601 = 30.1K/1%  
 FA901 = 36.5K/1%  
 FA1201 = 40.2K/1%  
 FA2401 = 44.2K/1%

NOTE 3:  
 FA601 = 680/10W  
 FA901 = 820/10W  
 FA1201 = 1K/10W

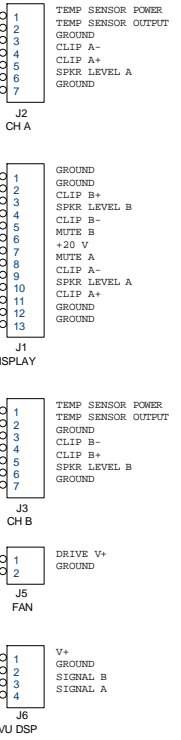
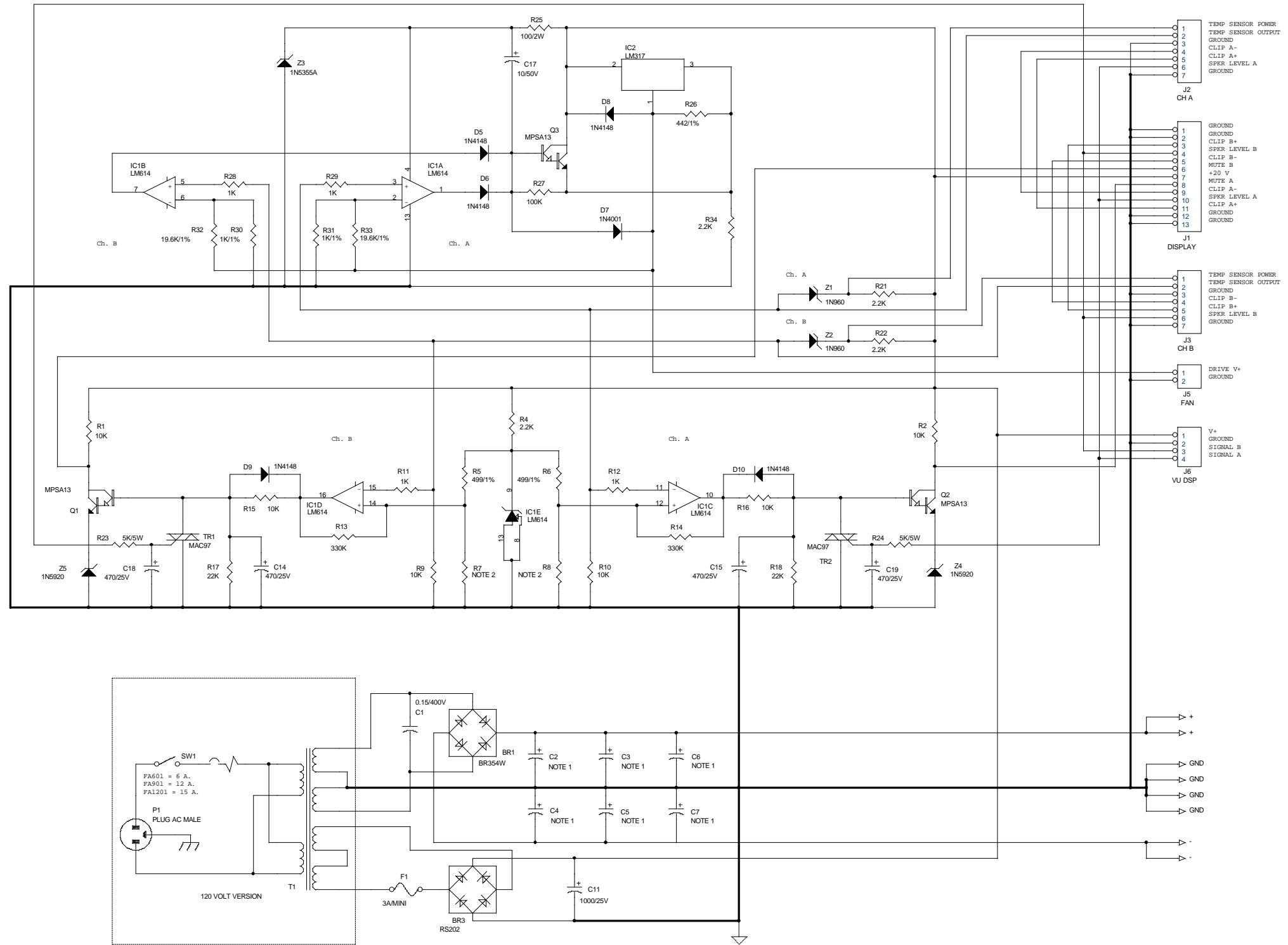
CREST AUDIO INC.

150 Florence Avenue  
 Hawthorne, NJ 07506

Title  
 PREAMP/DRIVER FOR FA SERIES

Size B	Document Number 21B0982	Rev
-----------	----------------------------	-----

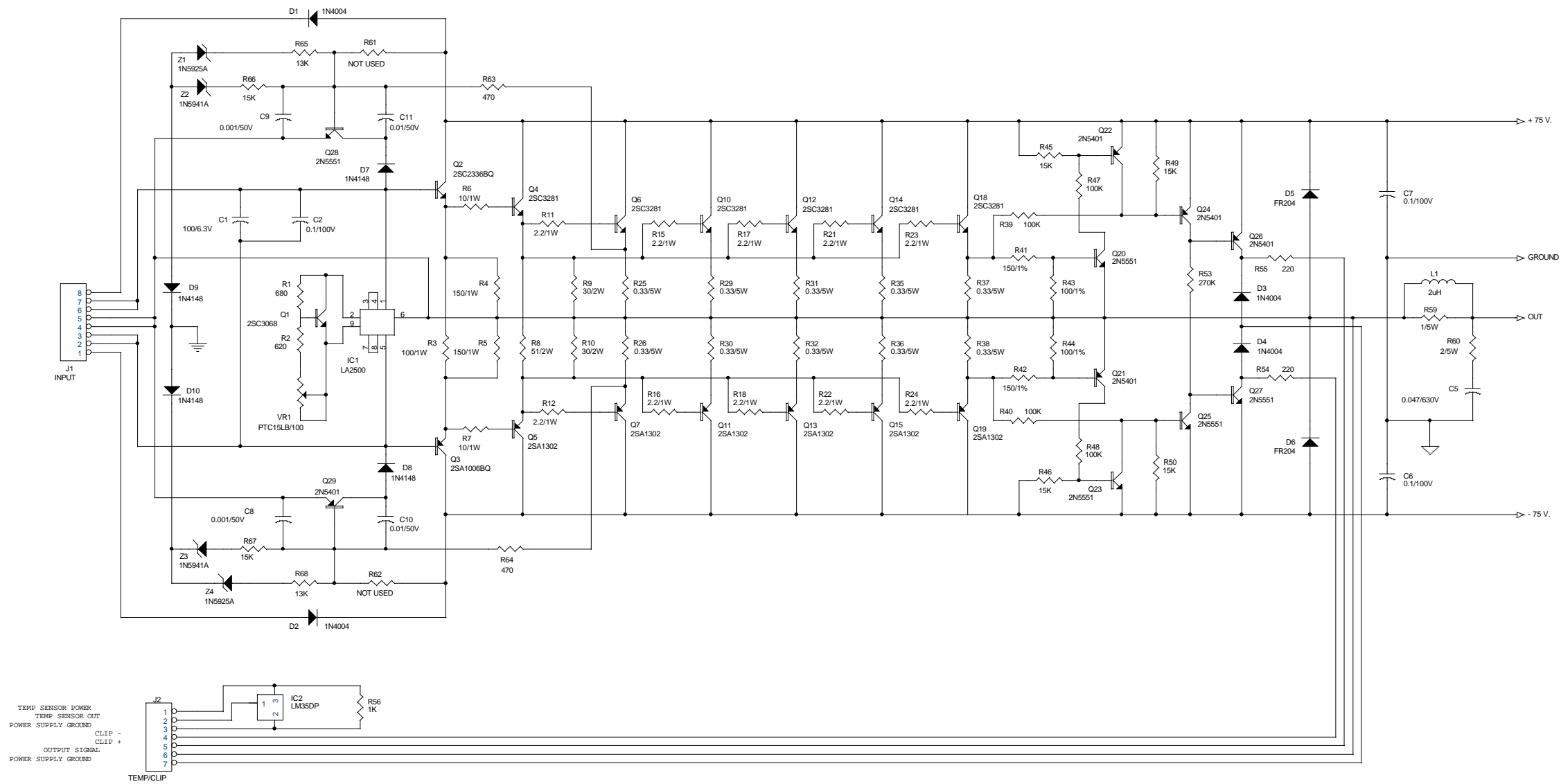
Date: Thursday, May 18, 2000 Sheet 1 of 1

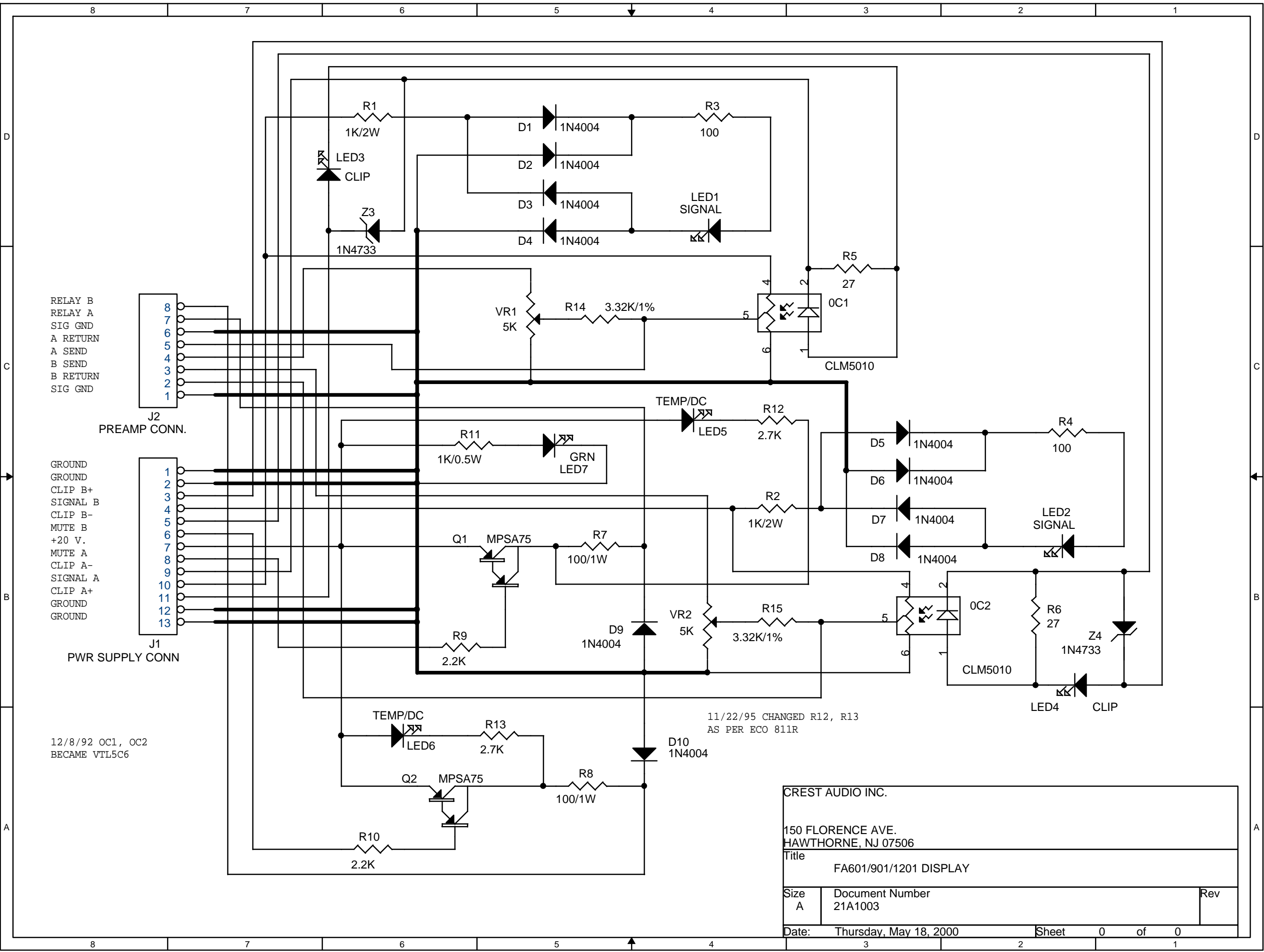


NOTE 1 C2 - C7 ARE 6,800µF/90V ON MODEL FA1201  
 C2 - C5 ARE 7,300µF/80V ON MODEL FA901. C6, C7 ARE NOT USED  
 C2 & C4 ARE 10,000µF/67V ON MODEL FA601. C3, C5, C6, C7 ARE NOT USED

NOTE 2 R7 & R8 ARE 1K/1% ON MODELS FA901 & FA1201, AND 750/1% ON MODEL FA601

CREST AUDIO INC.  
 150 Florence Ave.  
 Hawthorne, NJ 07506  
 Title FA SERIES POWER SUPPLY/FAN DRIVER  
 Size C Document Number 21C0998 Rev 2  
 Date: Thursday, May 18, 2000 Sheet 1 of 1





RELAY B  
RELAY A  
SIG GND  
A RETURN  
A SEND  
B SEND  
B RETURN  
SIG GND

J2  
PREAMP CONN.

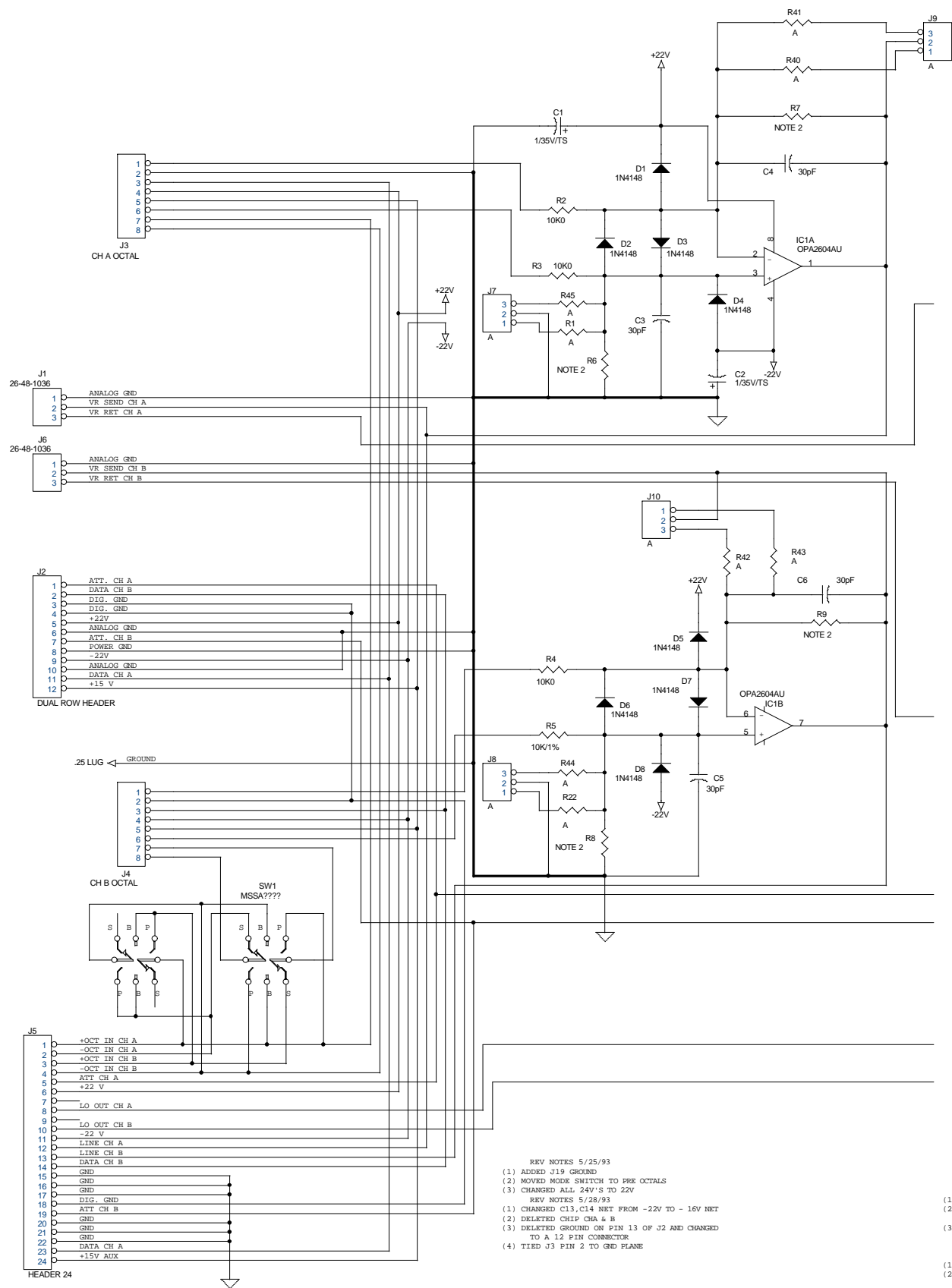
GROUND  
GROUND  
CLIP B+  
SIGNAL B  
CLIP B-  
MUTE B  
+20 V.  
MUTE A  
CLIP A-  
SIGNAL A  
CLIP A+  
GROUND  
GROUND

J1  
PWR SUPPLY CONN

12/8/92 OC1, OC2  
BECAME VTL5C6

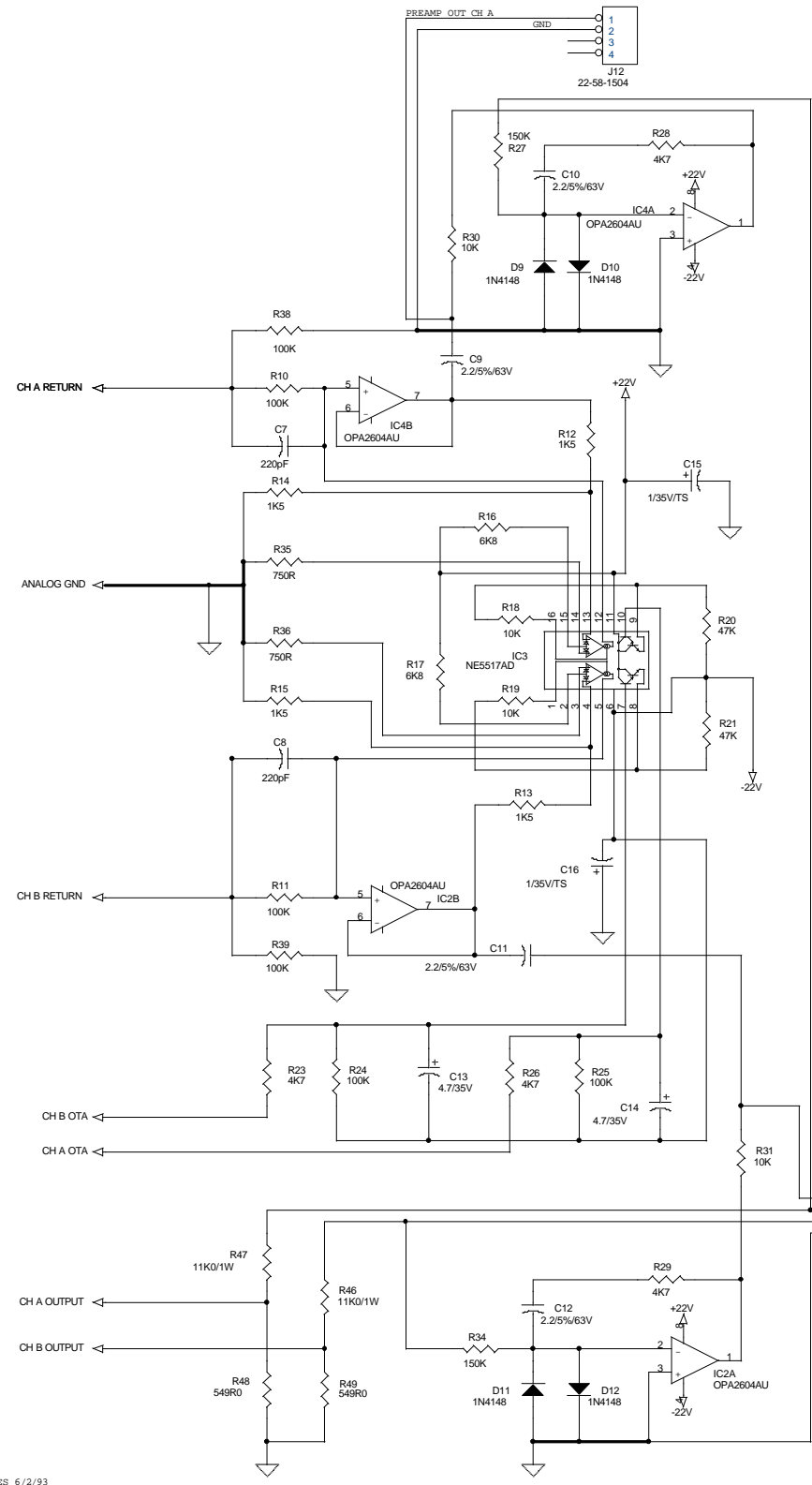
11/22/95 CHANGED R12, R13  
AS PER ECO 811R

CREST AUDIO INC.		
150 FLORENCE AVE. HAWTHORNE, NJ 07506		
Title FA601/901/1201 DISPLAY		
Size A	Document Number 21A1003	Rev
Date: Thursday, May 18, 2000	Sheet 0	of 0



REV NOTES 5/25/93  
 (1) ADDED J19 GROUND  
 (2) MOVED MODE SWITCH TO PRE OCTALS  
 (3) CHANGED ALL 24V'S TO 22V

REV NOTES 5/28/93  
 (1) CHANGED C13, C14 NET FROM -22V TO -16V NET  
 (2) DELETED CHIP CHA & B  
 (3) DELETED GROUND ON PIN 13 OF J2 AND CHANGED TO A 12 PIN CONNECTOR  
 (4) TIED J3 PIN 2 TO GND PLANE



REV NOTES 6/2/93  
 (1) CHANGED CONNECTIONS ON J2 & J5  
 (2) REMOVED J10, J11, J13, J15, J16, J17, J18, J19  
 ADDED J24 & J25 IN THEIR PLACE  
 (3) RE-ANNOTATED REFERENCE DESIGNATIONS

REV NOTES 10/20/93  
 (1) SWAPPED AND CORRECTED IC4A INPUT  
 (2) DELETED R32, R33

REV NOTES 10/25/93  
 (1) CORRECTED POLARITY J5-2 & J5-3

CREST AUDIO INC.  
 150 Florence Avenue  
 Hawthorne, NJ 07506  
 Title FA SERIES OCTAL PREAMP  
 Size C Document Number 21C1508 Rev  
 Date: Thursday, May 18, 2000 Sheet 1 of 1