

REVISION RECORD			
LTR	ECO NO:	APPROVED:	DATE:

D

C

B

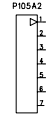
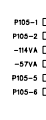
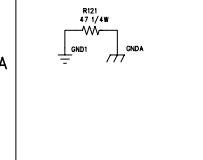
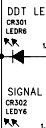
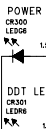
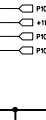
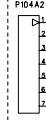
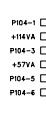
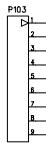
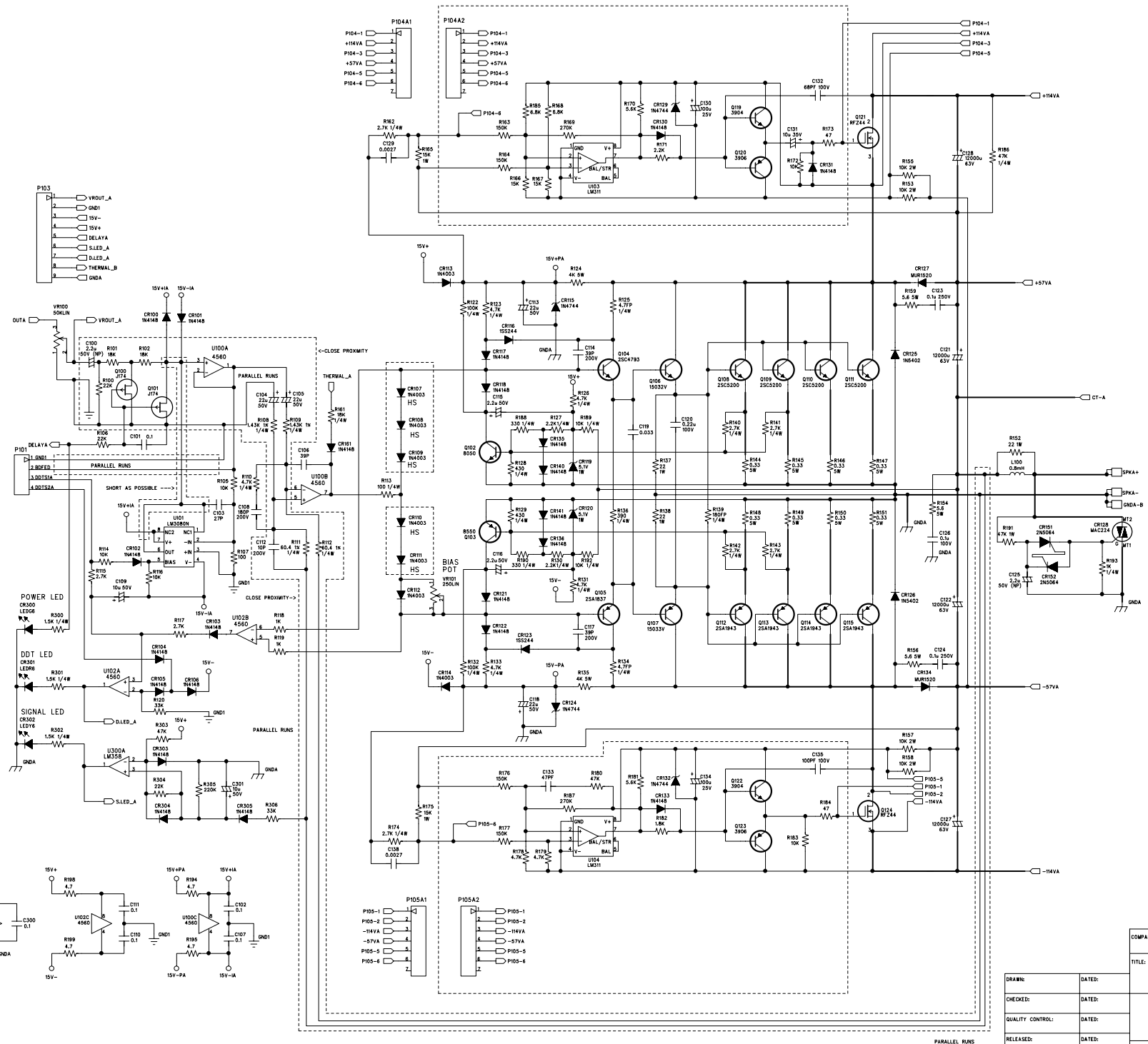
A

D

C

B

A



DRAWING:		DATED:		COMPANY:	
CHECKED:		DATED:		TITLE: POWER AMPLIFIER (CH. A)	
QUALITY CONTROL:		DATED:		CODE:	SIZE:
RELEASED:		DATED:		DRAWING NO:	REV:
SCALE:		SHEET:		OF	

REVISION RECORD			
LTR	ECO NO:	APPROVED:	DATE:

D

D

C

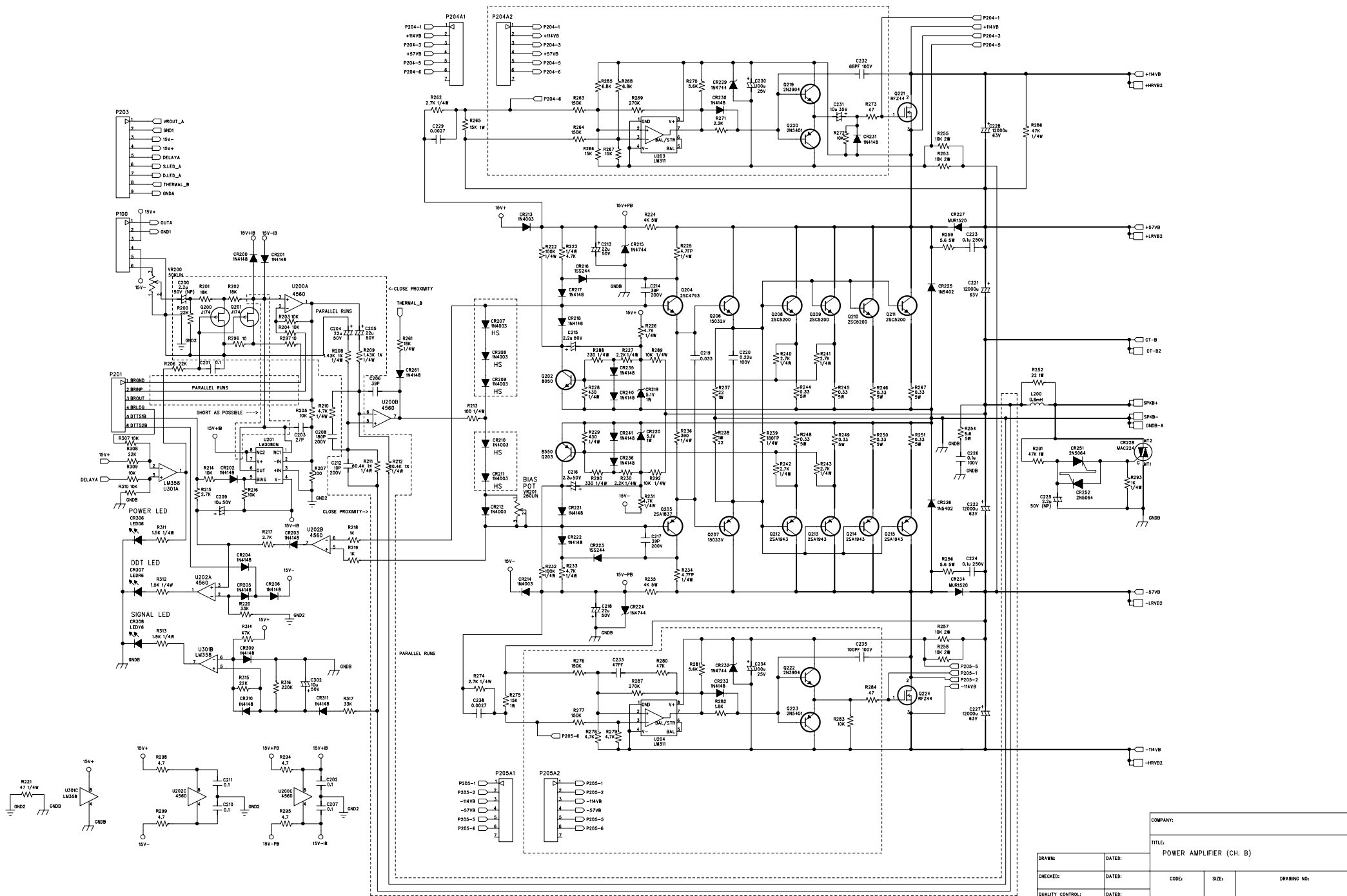
C

B

B

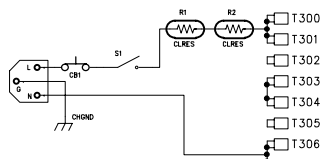
A

A

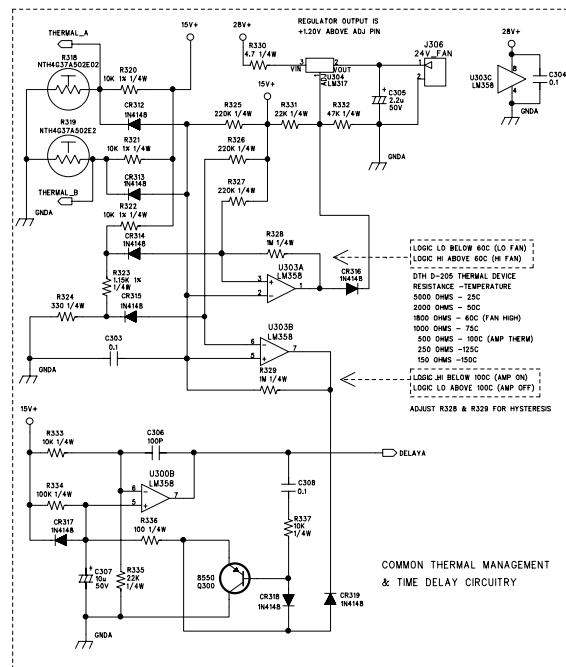
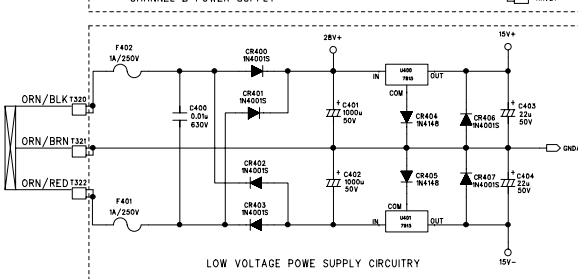
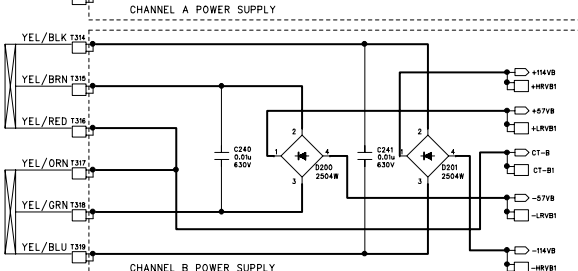
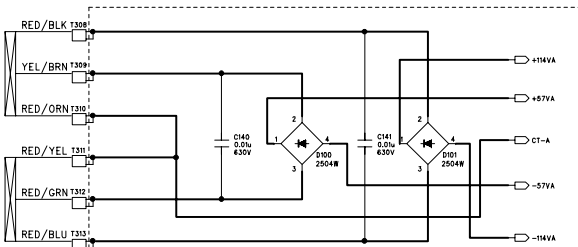
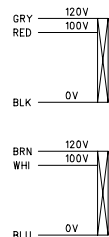


COMPANY:		TITLE: POWER AMPLIFIER (CH. B)			
DRAWN:	DATED:	CODE:	SIZE:	DRAWING NO.:	REV.:
CHECKED:	DATED:				
QUALITY CONTROL:	DATED:				
RELEASED:	DATED:	SCALE:		SHEET: OF	

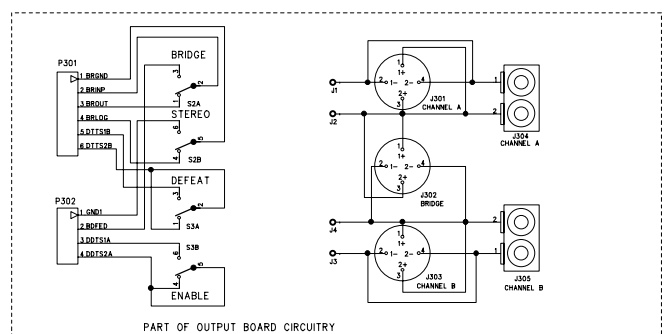
REVISION RECORD			
LTR	ECO NO:	APPROVED:	DATE:



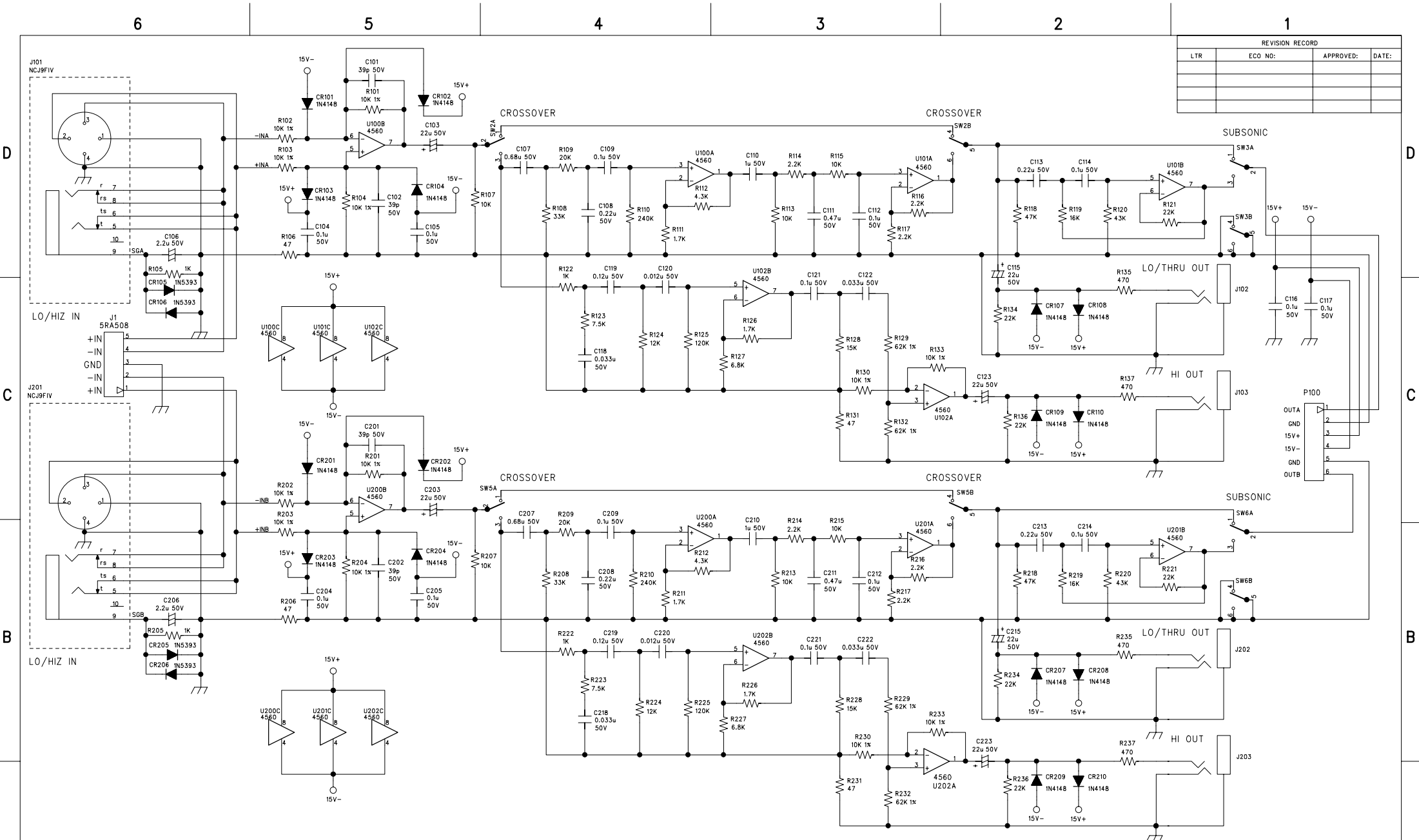
MAINS SELECT		
240V	120V	100V
PRIMARY LEADS		
GRY	GRY	RED
-	BRN	WHI
RED	RED	GRY
BLK	-	-
BRN	-	-
WHI	WHI	BRN
-	BLK	BLK
BLU	BLU	BLU
CIRCUIT BREAKER		
7.5A	15A	15A
250V	125V	125V
SURGE LIMITER		
15A	30A	30A
2 ohm	1 ohm	1 ohm



LOGIC LO BELOW 60C (LO FAN)
 LOGIC HI ABOVE 60C (HI FAN)
 DTH D-209 THERMAL DEVICE
 RESISTANCE -TEMPERATURE
 5000 OHMS - 25C
 2000 OHMS - 50C
 1800 OHMS - 60C (FAN HIGH)
 1000 OHMS - 75C
 500 OHMS - 100C (AMP THERM)
 250 OHMS -100C
 150 OHMS -150C
 LOGIC HI BELOW 100C (AMP ON)
 LOGIC LO ABOVE 100C (AMP OFF)
 ADJUST R326 & R329 FOR HYSTERESIS



DRAWING:		DATED:		COMPANY:	
CHECKED:		DATED:		TITLE: POWER AMP (OUTPUT, POWER SUPPLY, COMMON THERMAL MANAGEMENT & TIME DELAY CIRCUITRY)	
QUALITY CONTROL:		DATED:		CODE:	SIZE:
RELEASED:		DATED:		DRAWING NO:	REV:
SCALE:				SHEET: OF	



REVISION RECORD			
LTR	ECO NO:	APPROVED:	DATE:

COMPANY: ORIENT POWER MULTIMEDIA LTD.

TITLE: CROSSOVER

DRAWN:	DATED:	CODE:	SIZE:	DRAWING NO:	REV:
CHECKED:	DATED:	PV-1500			A
QUALITY CONTROL:	DATED:				
RELEASED:	DATED:				
SCALE:				SHEET:	1 OF 1