

6

5

4

3

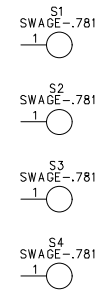
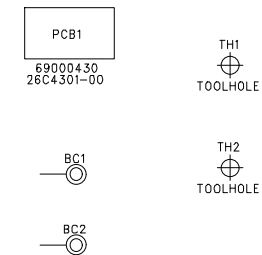
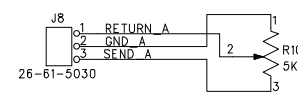
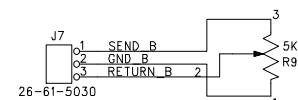
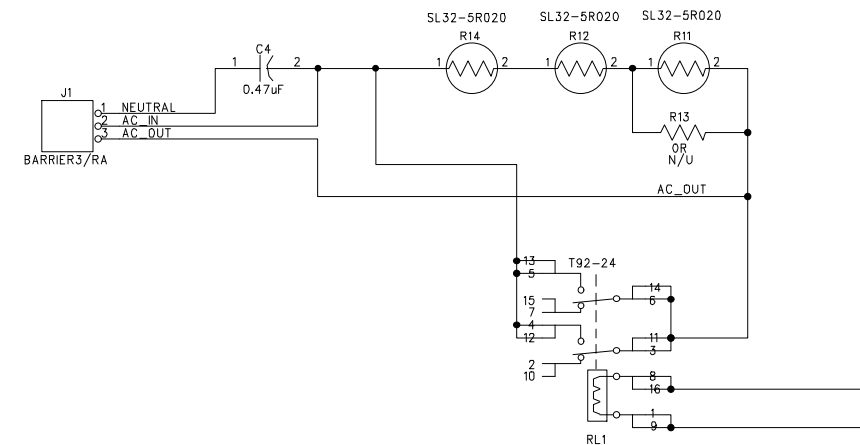
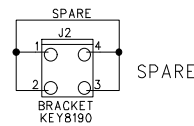
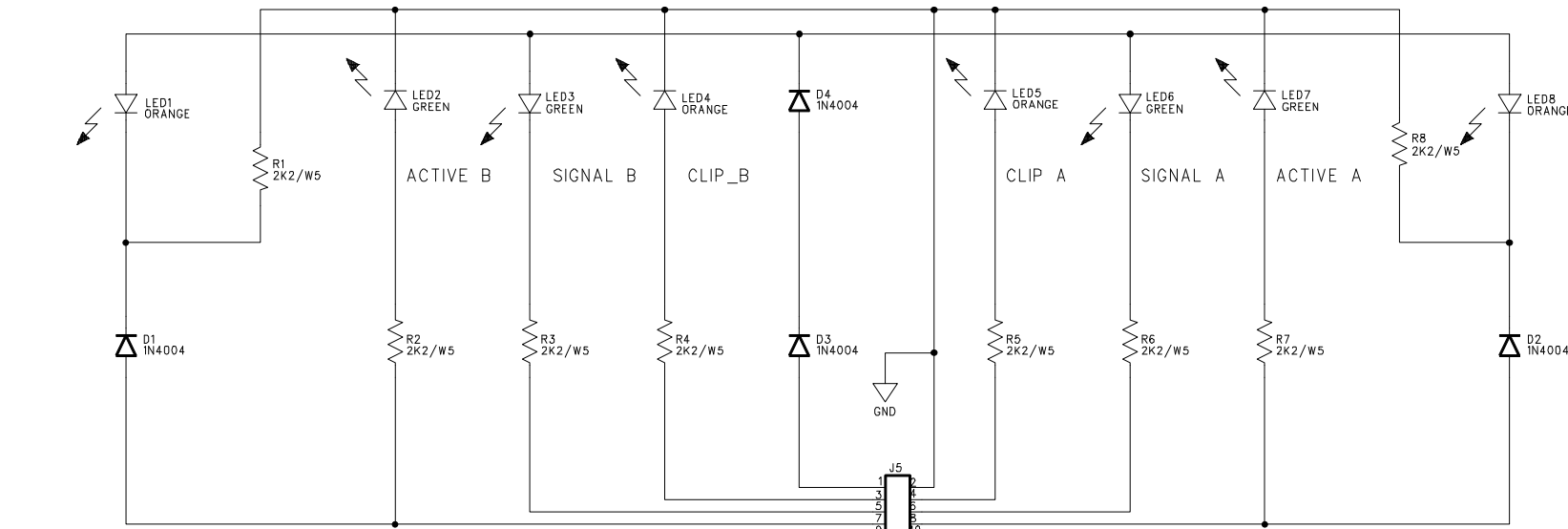
2

1

REVISION RECORD			
LTR	ECO NO:	APPROVED:	DATE:

REV 1 (SCHEMATIC CHANGES)
 1) PINOUT OF J1 CHANGED TO REFLECT NEW PCB LAYOUT BECAUSE OF LARGER TRANSF.
 2) J7 & J8 CHANGED TO GOLD RIGHT ANGLE HEADER FROM STRAIGHT PIN HEADER. NEW CONNECTOR 26-61-5030.
 3) J2 CHANGED TO KEY8190 FROM A BARRIER.
 4) NEW PCB # 26D3254-02.

NEW PCB 26C4301-00 FOR CA 18 DISPLAY
 26D3254-03 BOARDS ARE INCORRECT
 NEW CREST P/N & DRAWING NUMBER WAS ISSUED



TST-105-04-L-D-R

NOTE:
 ADDITIONAL INRUSH LIMITER ADDED, 9/29/98



TITLE: CA 18 DISPLAY			
DRAWN:	DATED:	CODE:	SIZE:
CHECKED: C.MAHONEY	DATED: 9/29/98	DRAWING NO: 4301-00.SCH	REV: 00
QUALITY CONTROL:	DATED:	SCALE:	
RELEASED:	DATED:	SHEET: 1 OF 1	

6

5

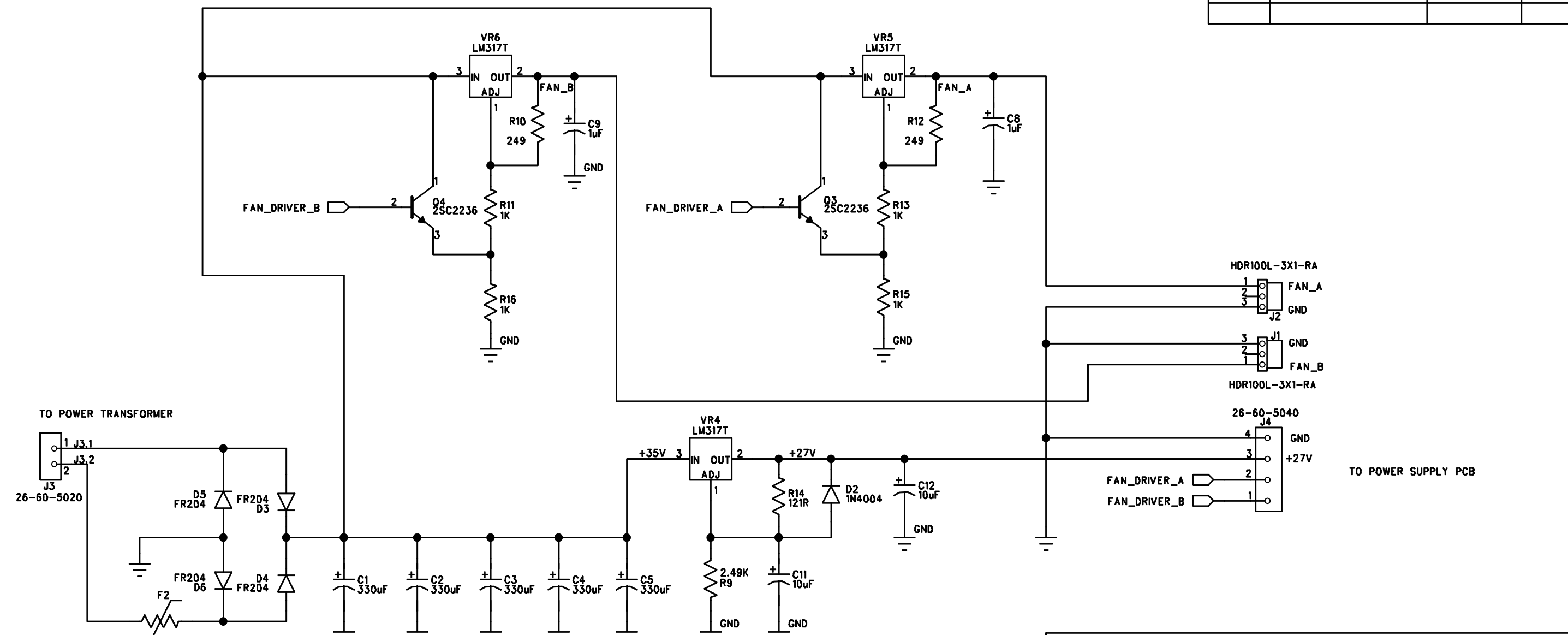
4

3

2

1

REVISION RECORD			
LTR	ECO NO:	APPROVED:	DATE:



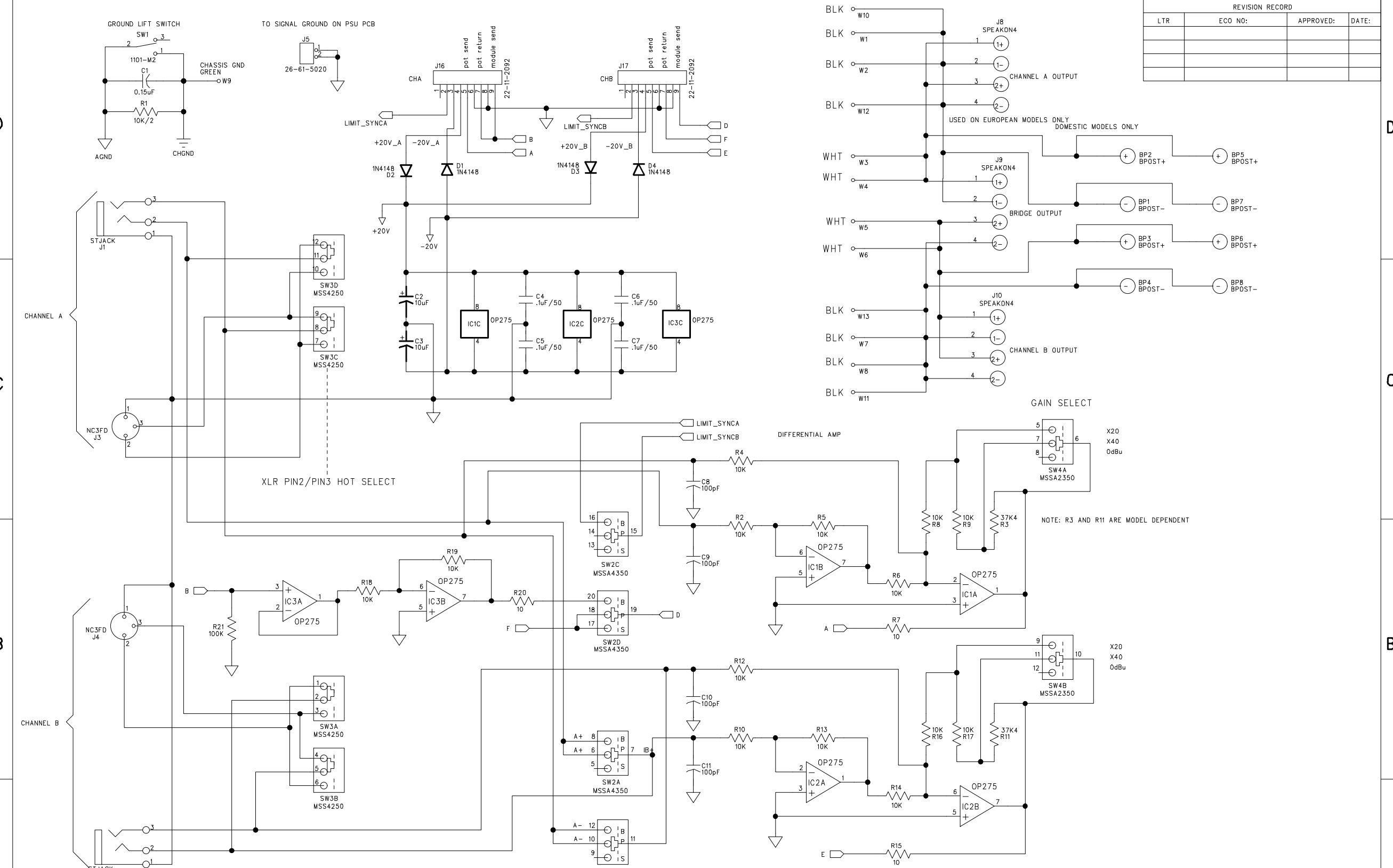
COMPANY:			
CREST AUDIO INC. 100 EISENHOWER DR. PARAMUS NJ			
TITLE:			
CA18 FAN DRIVER PC BOARD			
21A3101-00			
CODE:	SIZE:	DRAWING NO:	REV:
	B	3101-00.SCH	00
SCALE:			SHEET: 1 OF 2

DRAWN:	DATED:
I. FERSTENBERG	2/5/97
CHECKED:	DATED:
QUALITY CONTROL:	DATED:
RELEASED:	DATED:

D
C
B
A

D
C
B
A

REVISION RECORD			
LTR	ECO NO:	APPROVED:	DATE:



MODE SWITCH
 B= BRIDGE MODE
 P= PARALLEL MODE
 S= STEREO MODE

DRAWN: Isaac F.	DATED: 1/22/97
CHECKED:	DATED:
QUALITY CONTROL:	DATED:
RELEASED:	DATED:

CREST AUDIO

TITLE: **SCHEMATIC**
 CA INPUT PC BOARD
21D3098-00

CODE:	SIZE: C	DRAWING NO: 3098-00.SCH	REV: 00
SCALE:		SHEET: 1 OF 2	

REVISION RECORD			
LTR	ECO NO:	APPROVED:	DATE:
	SEE DCO 010	L FORSTENBERG	3/24/97
	SEE DCO 020	L FORSTENBERG	4/9/97
	SEE ECO 1992A	L FORSTENBERG	6/19/97

D

C

B

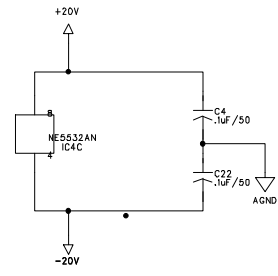
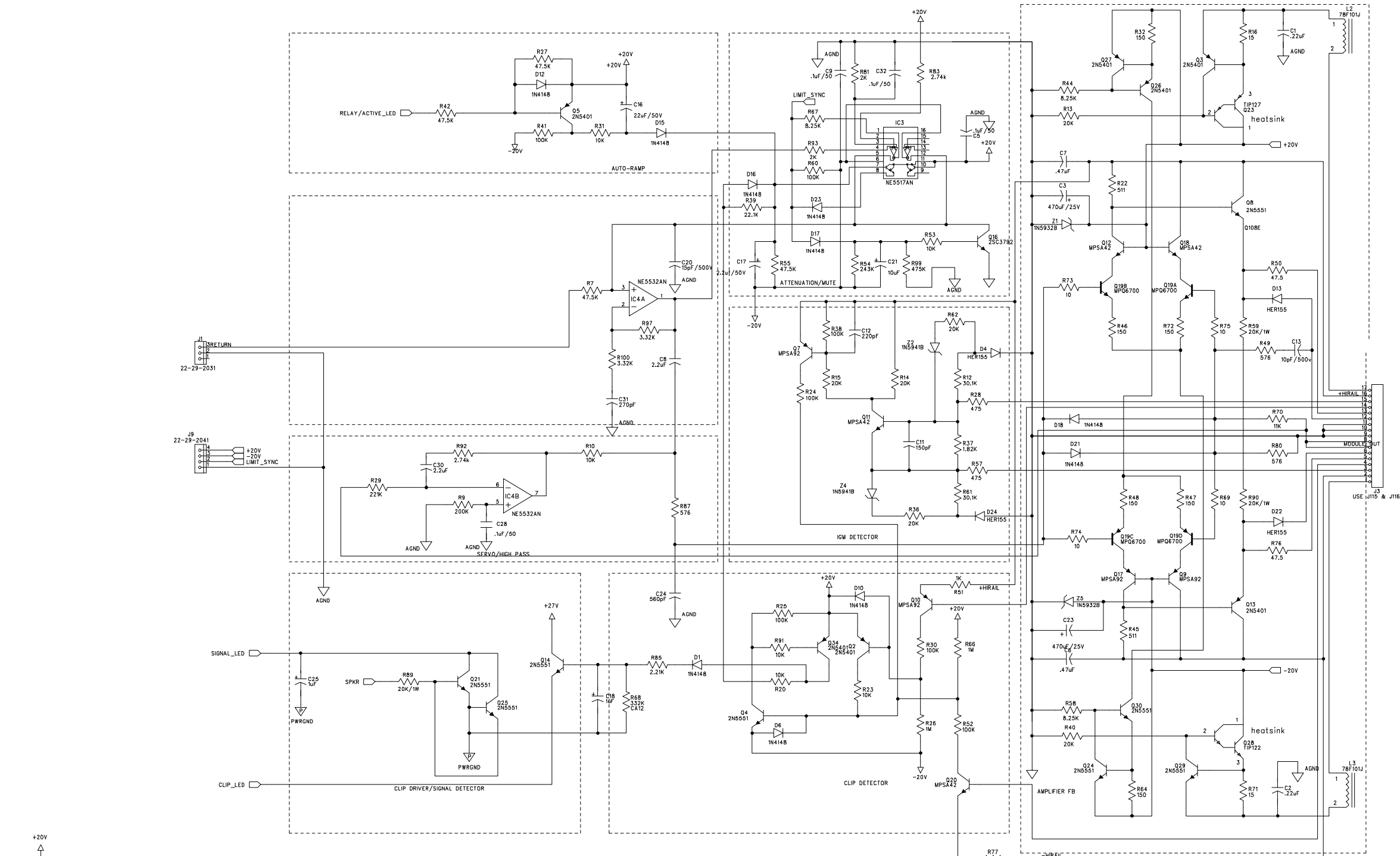
A

D

C

B

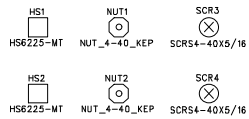
A



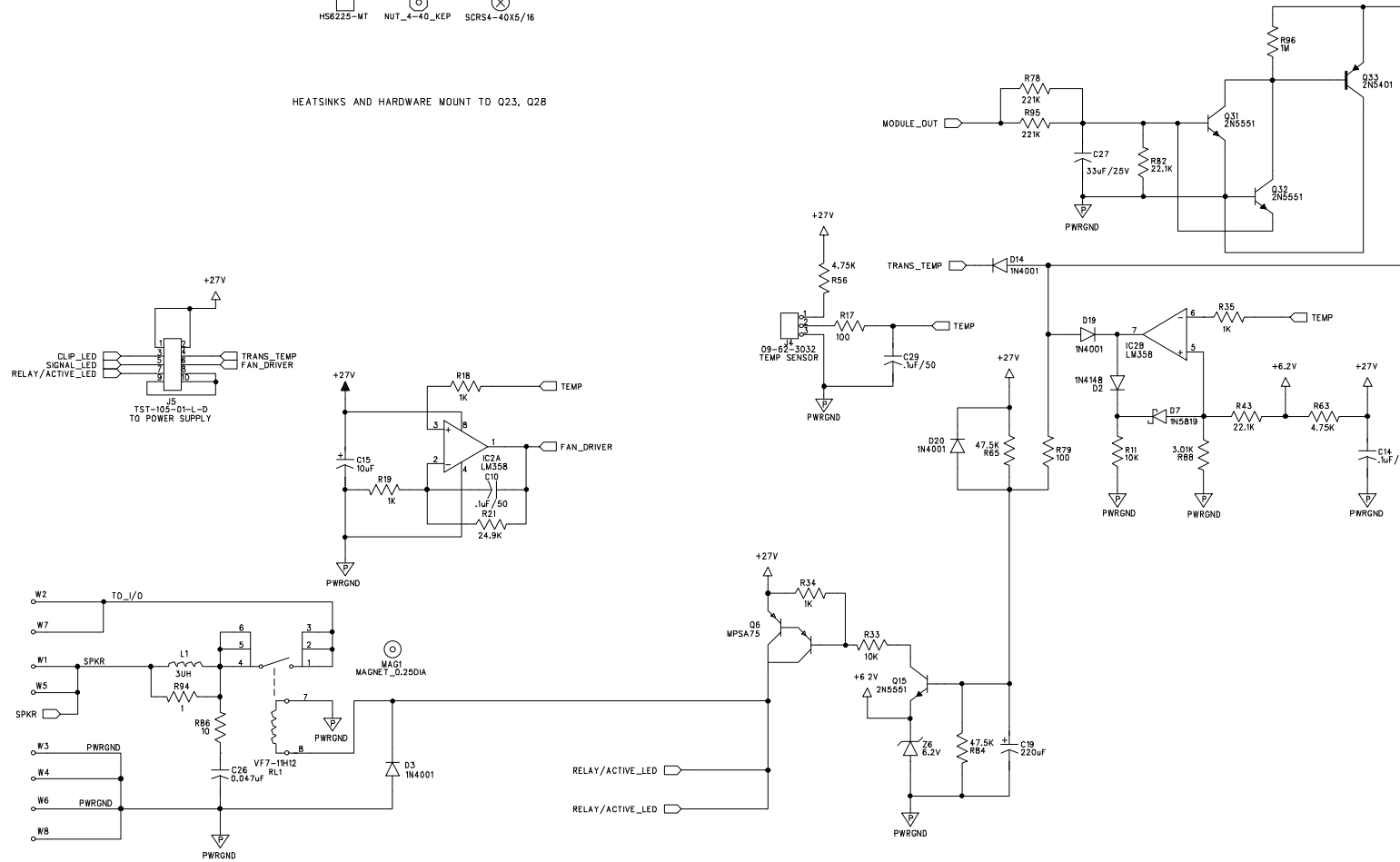
notes: this schematic is similar to file capre04.sch
the associated pcb file is 26D3080-00

CRESTAUDIO	
TITLE: CA18 PREAMP PC BOARD 21D3080-00	
3080-00.SCH	02
SHEET 1 OF 2	

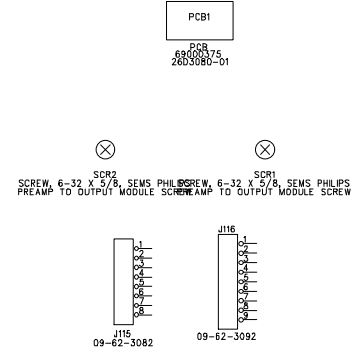
REVISION RECORD			
LTR	ECO NO:	APPROVED:	DATE:



HEATSINKS AND HARDWARE MOUNT TO Q23, Q28



TO IN/OUT PCB
 FROM OUTPUT PCB
 TO IN/OUT PCB
 FROM OUTPUT PCB



CREST AUDIO

TITLE: CA18 PREAMP PC BOARD
 21D3080-00

3080-00.SCH 02

SCALE: SHEET 2 OF 2

6

5

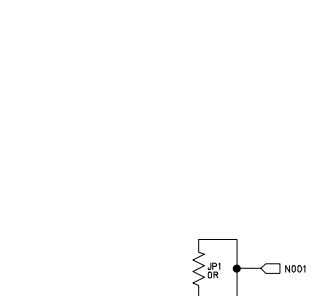
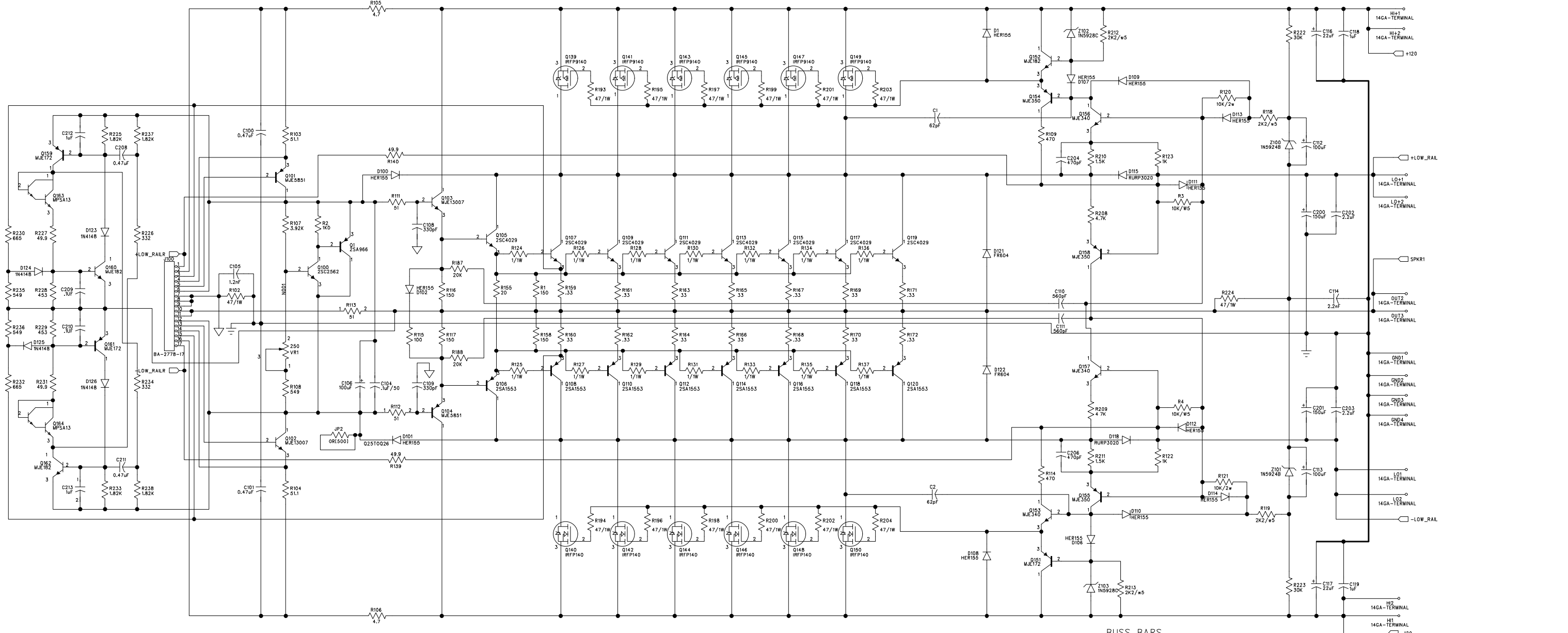
4

3

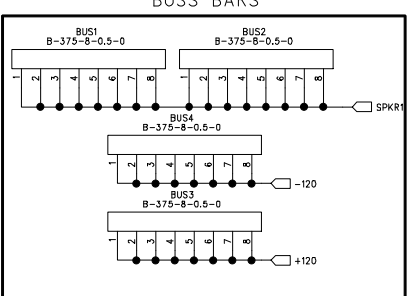
2

1

REVISION RECORD			
LTR	ECO NO:	APPROVED:	DATE:
	#3104 R230, 232 WERE 549H		



REV. NOTES



TITLE: CA18 OUTPUT MODULE

DRAWN: I.FERSTENBERG	DATED: 2/18/97	CODE:	SIZE: D	DRAWING NO: 4625-00	REV: 03
CHECKED:	DATED:	SCALE:			
QUALITY CONTROL:	DATED:				
RELEASED:	DATED:				

6

5

4

3

2

1

D

D

C

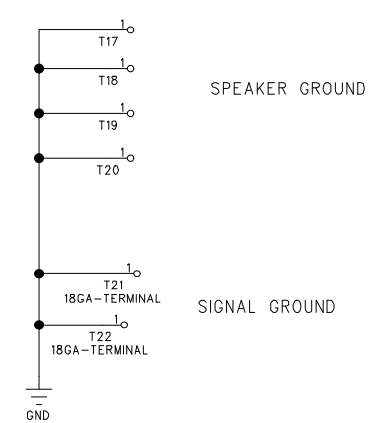
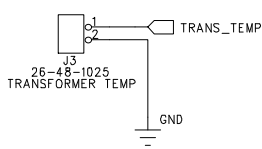
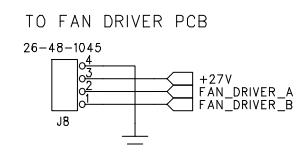
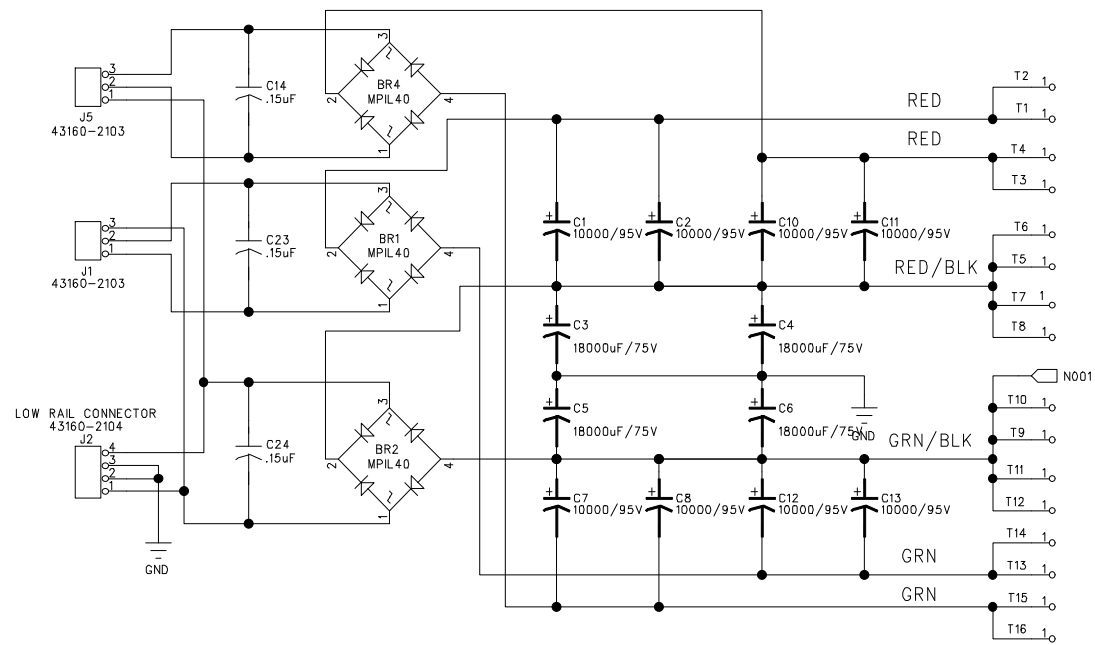
C

B

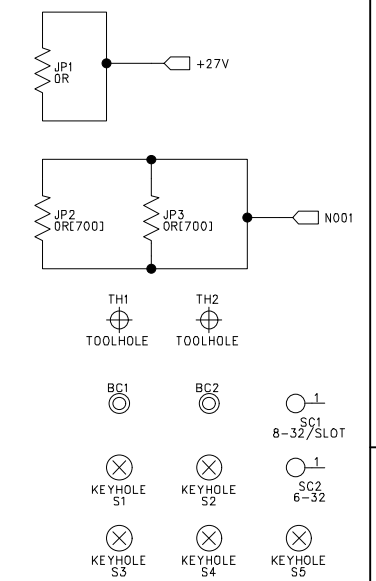
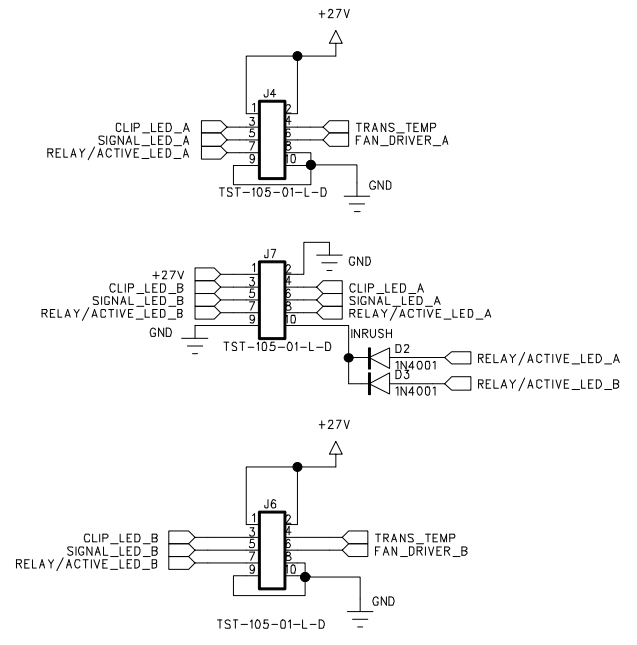
B

A

A



- HIGH RAIL + CHA
- HIGH RAIL + CHB
- LOW RAIL + CHA
- LOW RAIL + CHB
- LOW RAIL - CHA
- LOW RAIL - CHB
- HIGH RAIL - CHA
- HIGH RAIL - CHB



CREST AUDIO

TITLE: SCHEMATIC
CA18 POWER SUPPLY PC BOARD
21C3102-01

DRAWN: Isaac F.	DATED: 5/9/97	CODE:	SIZE: C	DRAWING NO: 3102-01.SCH	REV: 01
CHECKED:	DATED:	SCALE:		SHEET: 1 OF 2	
QUALITY CONTROL:	DATED:				
RELEASED:	DATED:				