

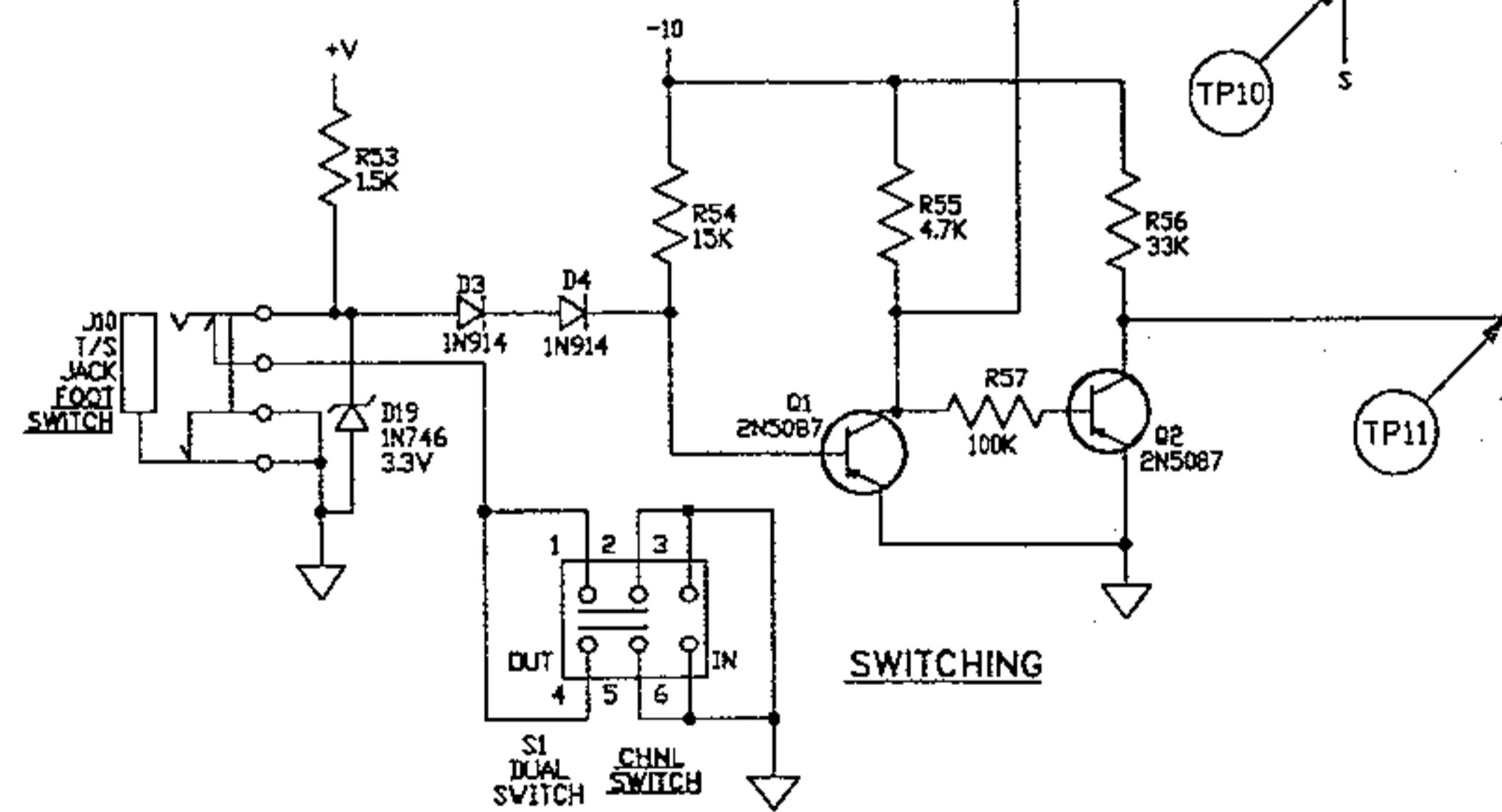
NOTES

- 1) CAUTION: SHOCK HAZARD!!
THIS UNIT CONTAINS HAZARDOUS VOLTAGE. DISCONNECT POWER AND BE SURE POWER SUPPLY IS DISCHARGED BEFORE TOUCHING INTERNAL PARTS.
- 2) UNLESS NOTED, RESISTOR VALUES IN OHMS, 1/4W-5% TOL. CAPACITOR VALUES IN MICROFARADS, 50V-10% TOL.
- 3) VOLTAGES ARE MEASURED WITH 1 MEGOHM OSCILLOSCOPE AND 10 MEGOHM DIGITAL VOLTMETER.
- 4) CIRCUIT GROUND \perp SWITCH GROUND ∇ CHASSIS GROUND \uparrow

CAUTION:

THIS SCHEMATIC IS PROVIDED FOR USE BY QUALIFIED PERSONNEL. TO AVOID RISK OF ELECTRIC SHOCK, REFER SERVICING TO QUALIFIED SERVICE PERSONNEL. DO NOT PERFORM ANY SERVICING BEYOND THAT EXPLAINED IN THE OPERATING INSTRUCTIONS.

CHANNEL A (CLEAN CHANNEL)			CHANNEL B (DIRTY CHANNEL)		
T.P.	AC VOLTAGE	DC VOLTAGE	AC VOLTAGE	DC VOLTAGE	WAVEFORM
1	12V p-p	130V	16V p-p	130V	S
2	12V p-p	12V	—	12V	—
3	10V p-p	136V	12V p-p	136V	S
4	38V p-p	189V	25V p-p	189V	S
5	—	233V	—	233V	—
6	—	247V	—	247V	—
7	—	156V	10V p-p	156V	S
8	—	157V	92.5V p-p	157V	S
9	8V p-p	—	15V p-p	—	S
10	—	0V	—	-10V	—
11	—	-10V	—	0V	—



ALL CONTROLS MAX. EXCEPT CH. B LEVEL @ 5 AND REV. A & B @ 0
 INPUT SIGNAL 10mV @ 1kHz
 LINE VOLTAGE 120VAC @ 60Hz
 ALL DC VOLTAGES WITH NO SIGNAL APPLIED

LAST DESIGNATOR

R84 D19
 C56 P10
 DC5 IC1
 J35 FC4
 JW43

UNUSED DESIGNATOR

Q3 Q4
 C6 C49
 C7 C46
 R77 R78
 J01 J03
 J04

3				
2				
1	04/08/94	REM		ART TO REV 2. CHANGED VALUES PER E097 & 154.
REV	DATE	BY	CHK'D	DESCRIPTION
SIGNATURES:		DATE:		1980 BORMAN DR. ST. LOUIS, MISSOURI 63148
DRAWN: MGA		11/07/93		
CHK'D: OK		11/08/93		PROJECT NAME:
APP'D: OK		11/08/93		VC-3112
ORIGINAL ISSUED:		11/07/93		DRAWING NAME:
PLOT DATE:		04/13/94		SCHEMATIC DRAWING
PLOT TIME:		15:33:32		DRAWING NO. 075269-01
FILE NAME:		26901H1Z		REV. 1
SCALE:		~		SHEET: 1 OF 2