

SECTION VII ILLUSTRATIONS

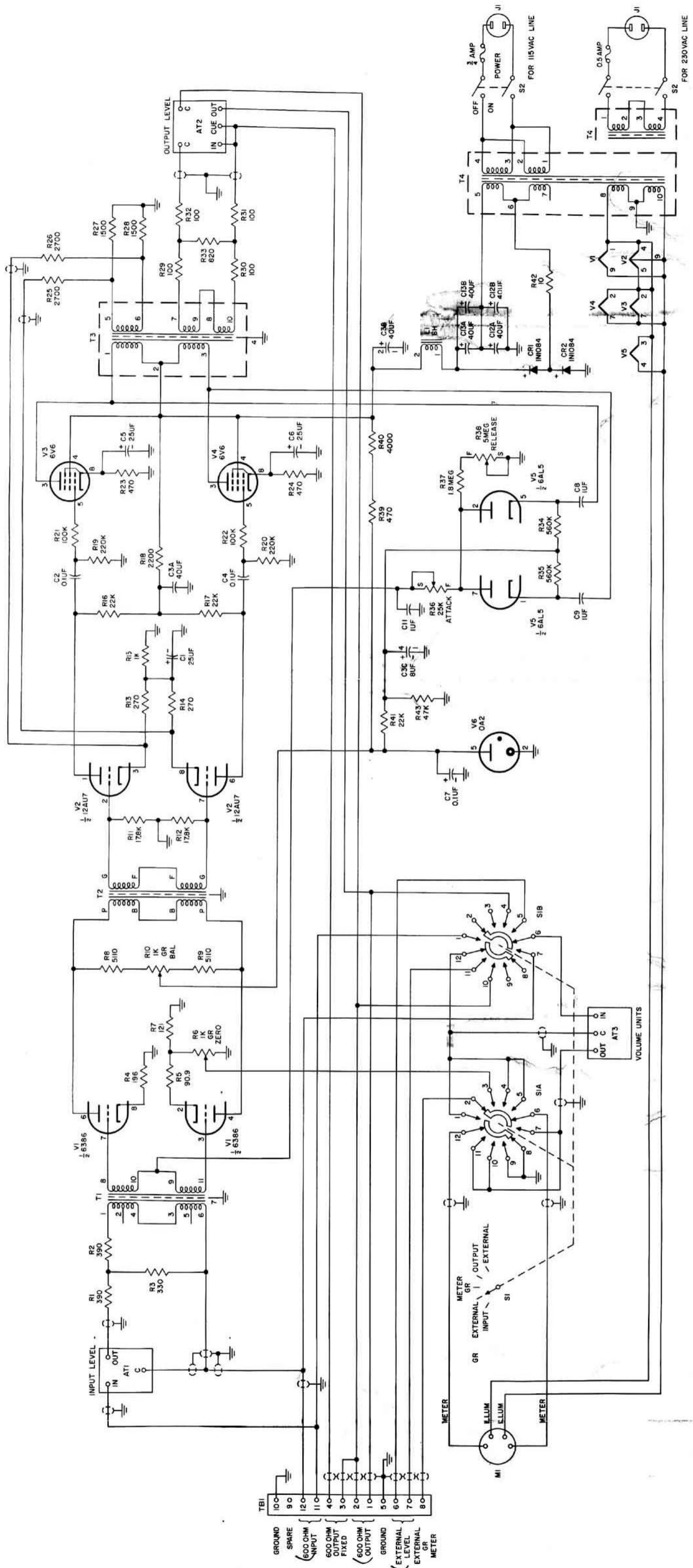


Figure 7-1. Peak Limiting Amplifier 26U-1. Schematic Diagram.