

6

5

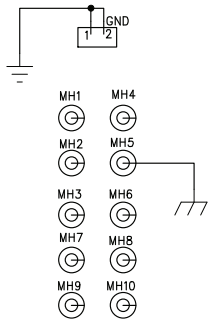
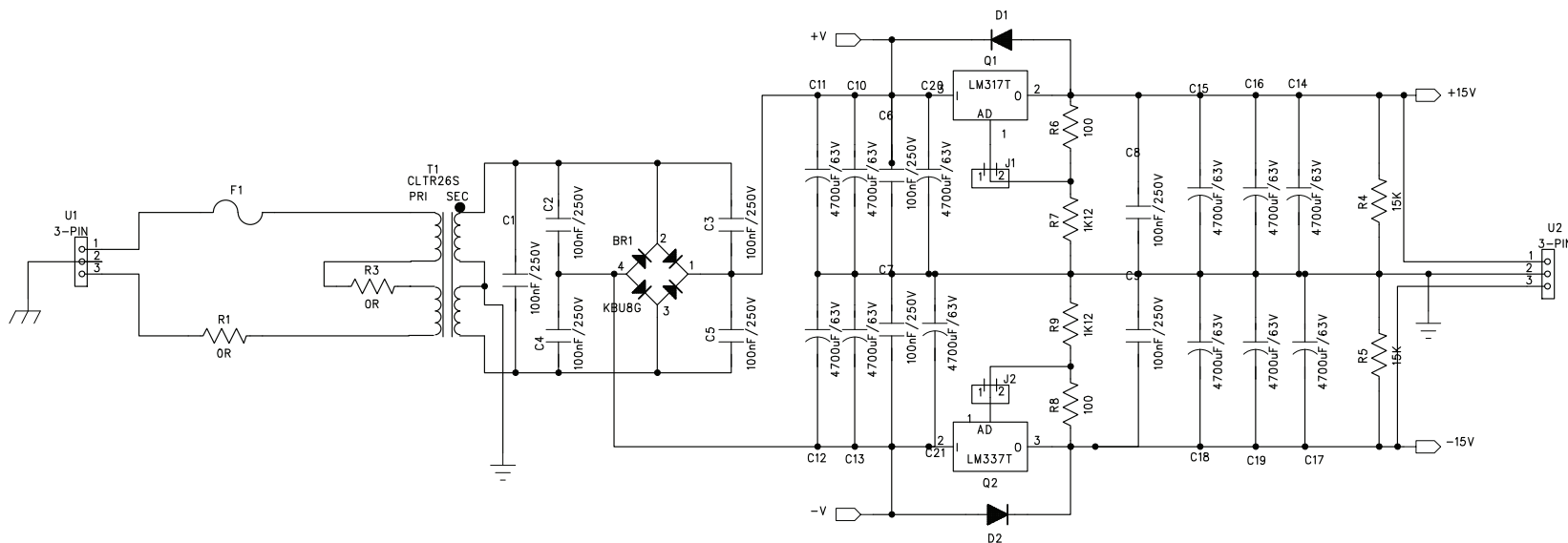
4

3

2

1

REVISION RECORD			
LTR	ECO NO:	APPROVED:	DATE:



COMPANY: CLASSE AUDIO INC

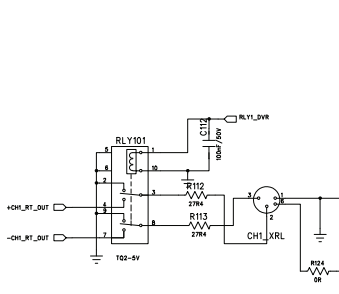
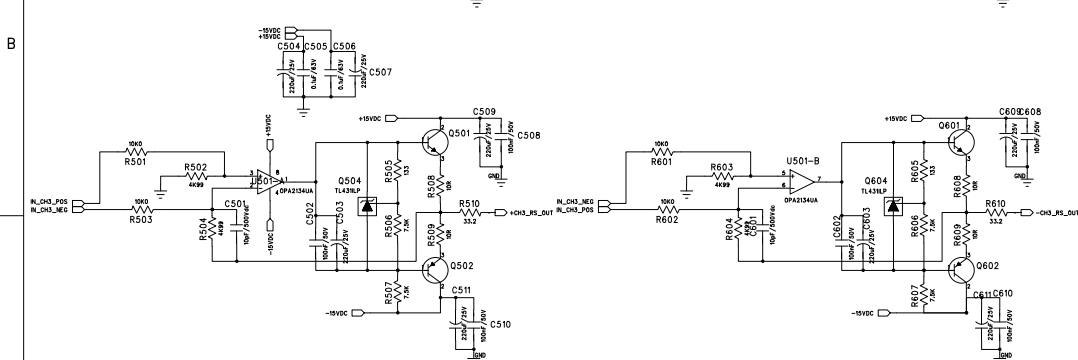
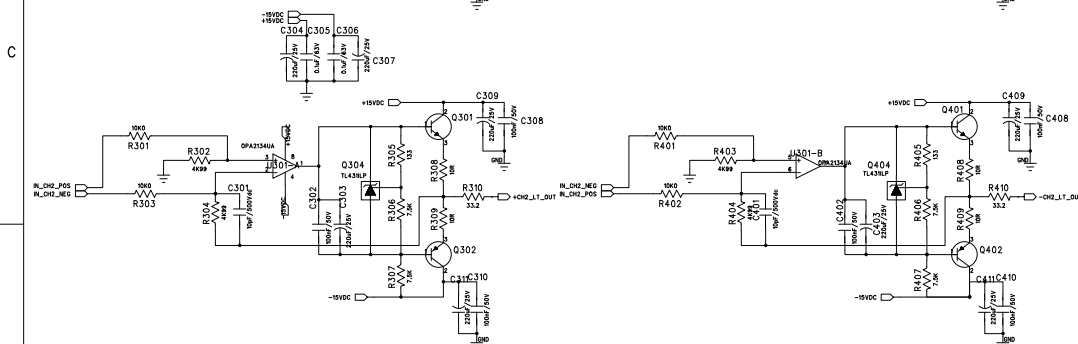
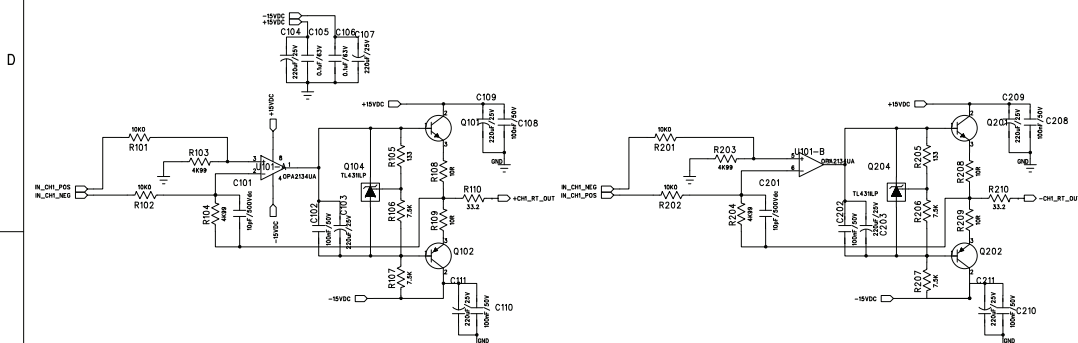
TITLE: SSP60 POWER SUPPLY

DRAWN:	DATED:
CHECKED:	DATED:
QUALITY CONTROL:	DATED:
RELEASED:	DATED:

CODE:	SIZE:	DRAWING NO: B364XR01	REV:
-------	-------	-------------------------	------

SCALE: SHEET: 1 OF 1

REVISION RECORD			
LTR	EOD NO.	APPROVED:	DATE:



6

5

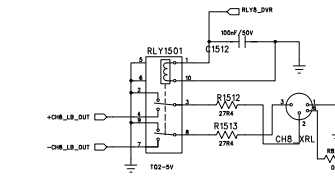
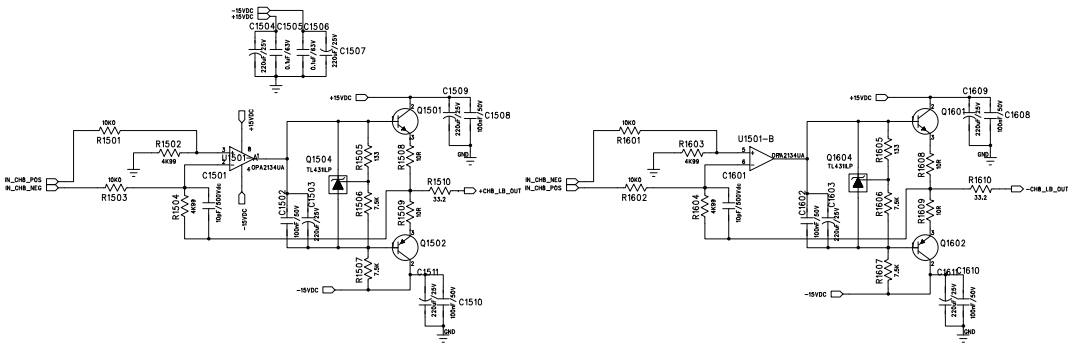
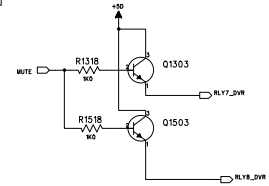
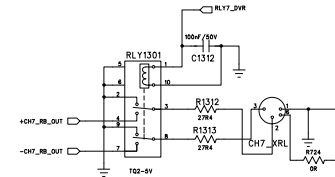
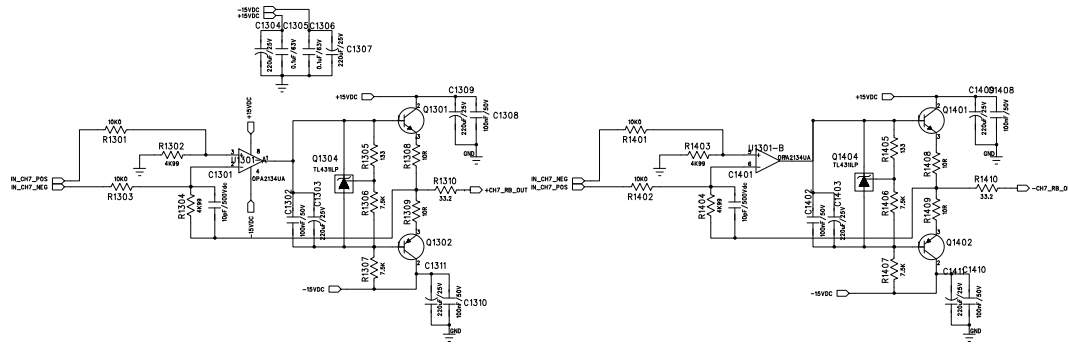
4

3

2

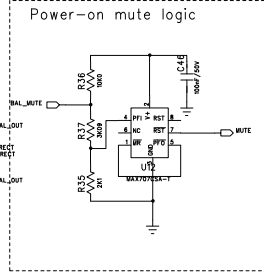
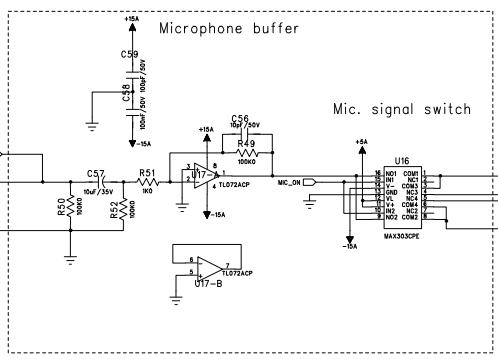
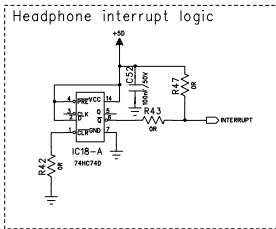
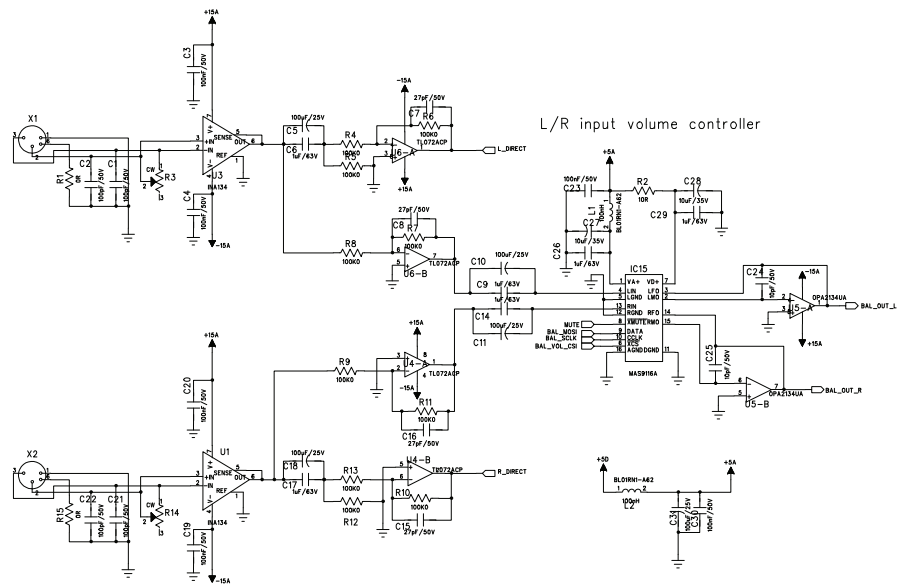
1

REVISION RECORD			
LTR	ECO NO.	APPROVED	DATE



COMPANY:		CLASSE AUDIO			
TITLE:		SSP40_OUTPUT (CH7-CH8)			
DRAWN:	DATE:	CODE:	SIZE:	DRAWING NO.:	REV.:
CHECKED:	DATE:			B363XR02	
QUALITY CONTROL:	DATE:				
RELEASED:	DATE:	SCALE:			SHEET: 3 OF 6

REVISION RECORD			
LT#	ECO NO.	APPROVED:	DATE:

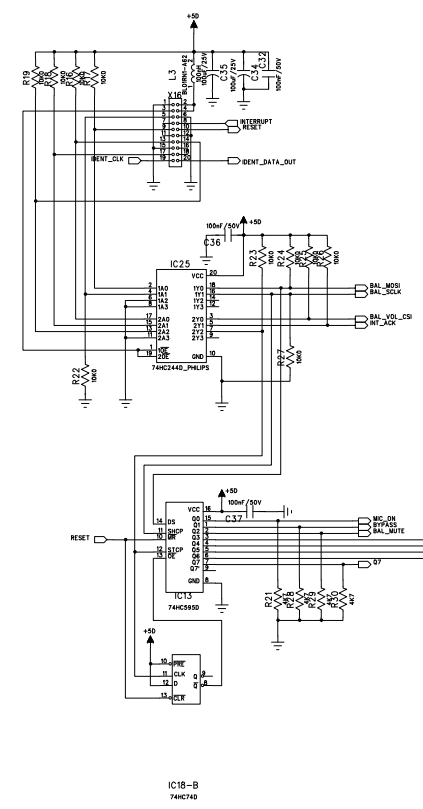


COMPANY:		CLASSE AUDIO			
TITLE:		SSP40_BALANCED_BUFFERS			
DRAWN:	DATE:	CODE:	SIZE:	DRAWING NO.:	REV:
CHECKED:	DATE:			B363XR02	
QUALITY CONTROL:	DATE:				
RELEASED:	DATE:				

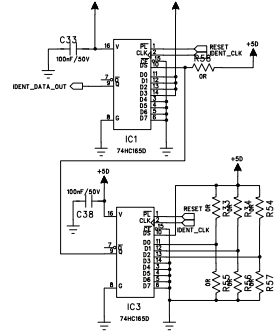
DRAWN:	DATE:
CHECKED:	DATE:
QUALITY CONTROL:	DATE:
RELEASED:	DATE:

REVISION RECORD			
LTB	ECO NO.	APPROVED:	DATE:

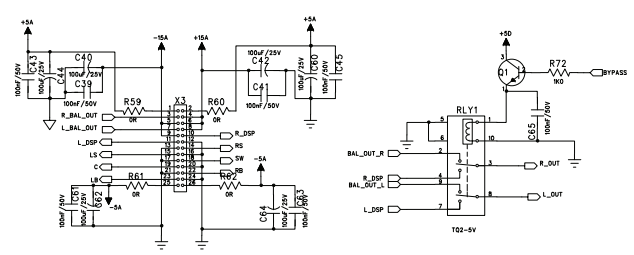
Slot connector & Control bus buffering



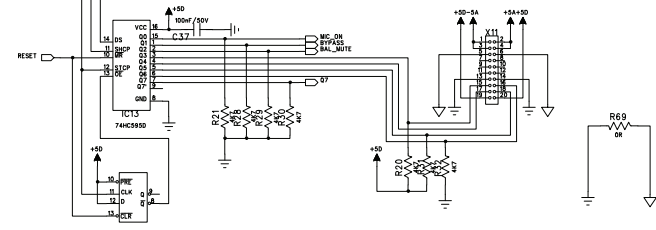
Slot Identification circuit



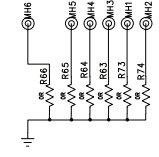
Balanced audio connector



TCC connector



Mounting holes

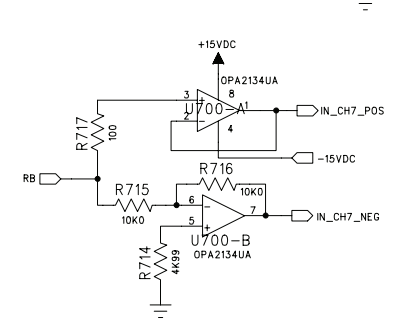
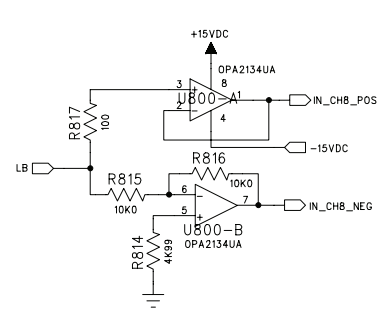
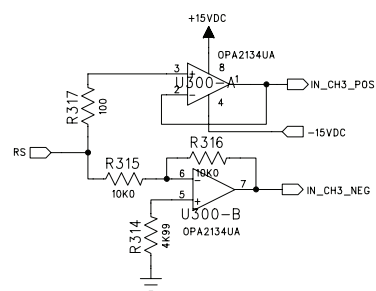
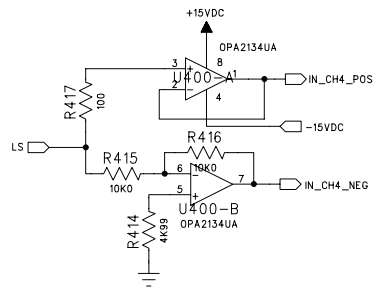
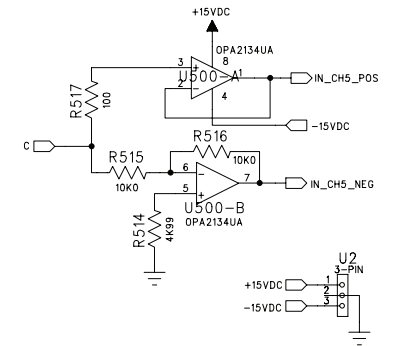
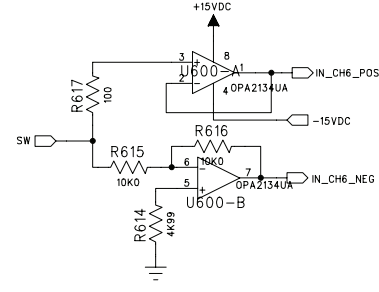
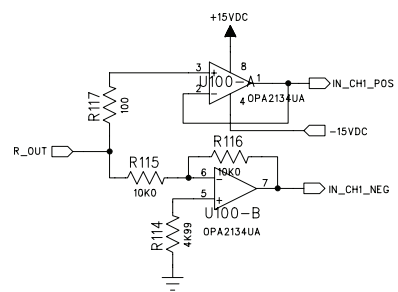
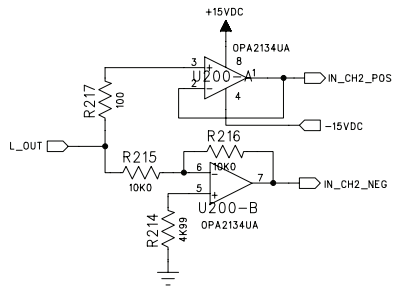


D
C
B
A

D
C
B
A

COMPANY: CLASSE AUDIO			
TITLE: SSP40_SLOT_CONTROL			
CODE:	SIZE:	DRAWING NO: B363XR02	REV:

DRAWN:	DATE:
CHECKED:	DATE:
QUALITY CONTROL:	DATE:
RELEASED:	DATE:



B

A

COMPANY:				CLASSE AUDIO INC.			
TITLE:				SSP60 BALANCE PCB			
DRAWN:	DATED:	CODE:	SIZE:	DRAWING NO:		REV:	
CHECKED:	DATED:			B363XR02			
QUALITY CONTROL:	DATED:						
RELEASED:	DATED:						
SCALE:				SHEET: 4 OF 6			

D
C
B
A

6

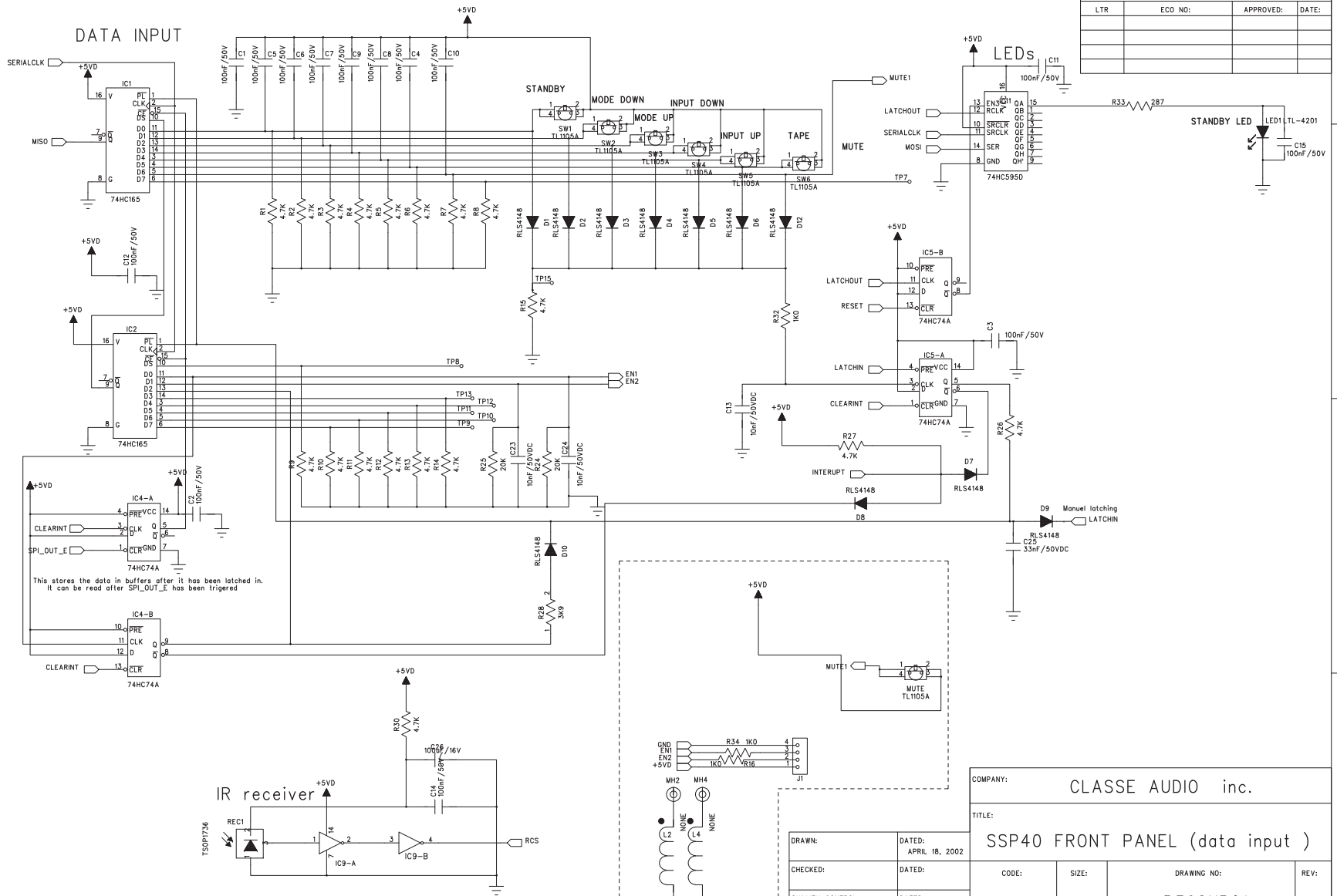
5

4

3

2

1



REVISION RECORD			
LTR	ECO NO:	APPROVED:	DATE:

COMPANY: CLASSE AUDIO inc.			
TITLE: SSP40 FRONT PANEL (data input)			
CODE:	SIZE:	DRAWING NO:	REV:
B362XR01			
SCALE:			SHEET: 10F 2

DRAWN:	DATED: APRIL 18, 2002
CHECKED:	DATED:
QUALITY CONTROL:	DATED:
RELEASED:	DATED:

This stores the data in buffers after it has been latched in. It can be read after SPI_OUT_E has been triggered.

6

5

4

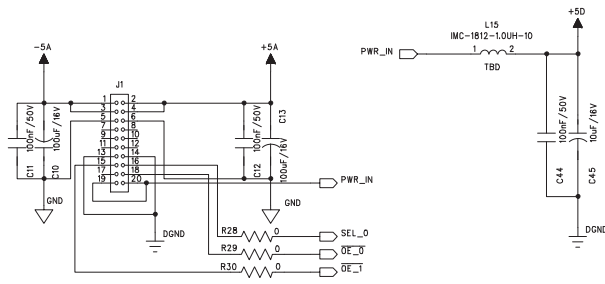
3

2

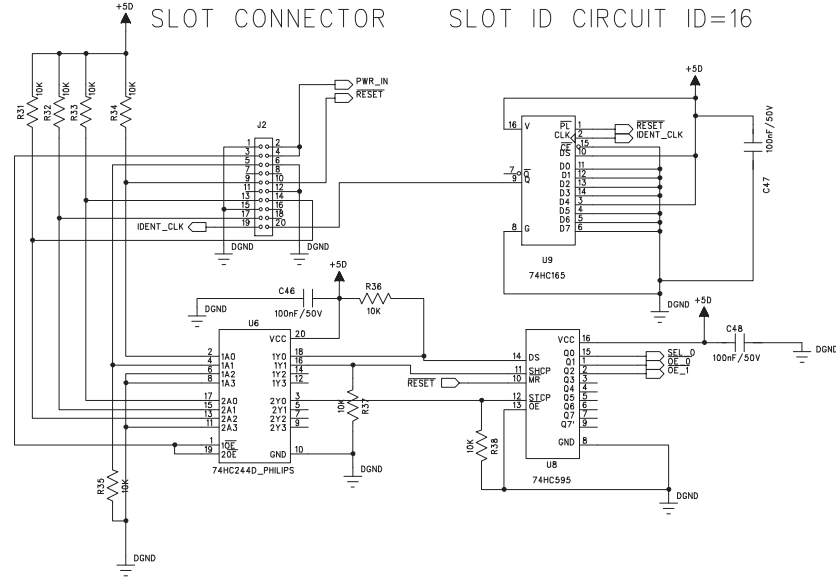
1

REVISION RECORD			
LTR	ECO NO.	APPROVED:	DATE:

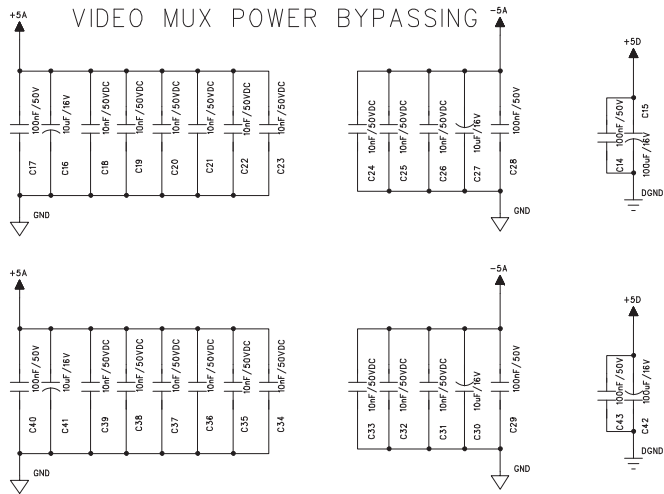
TCC CONNECTOR



SLOT CONNECTOR SLOT ID CIRCUIT ID=16



VIDEO MUX POWER BYPASSING



COMPANY: CLASSE AUDIO INC.				
TITLE: SLOT & POWER				
DRAWN:	DATED:	CODE:	SIZE:	DRAWING NO:
CHECKED:	DATED:	B361XR00		REV:
QUALITY CONTROL:	DATED:	SCALE:		
RELEASED:	DATED:	SHEET: 1 OF 2		