

POSITIVE LEFT INPUT

NEGATIVE LEFT INPUT

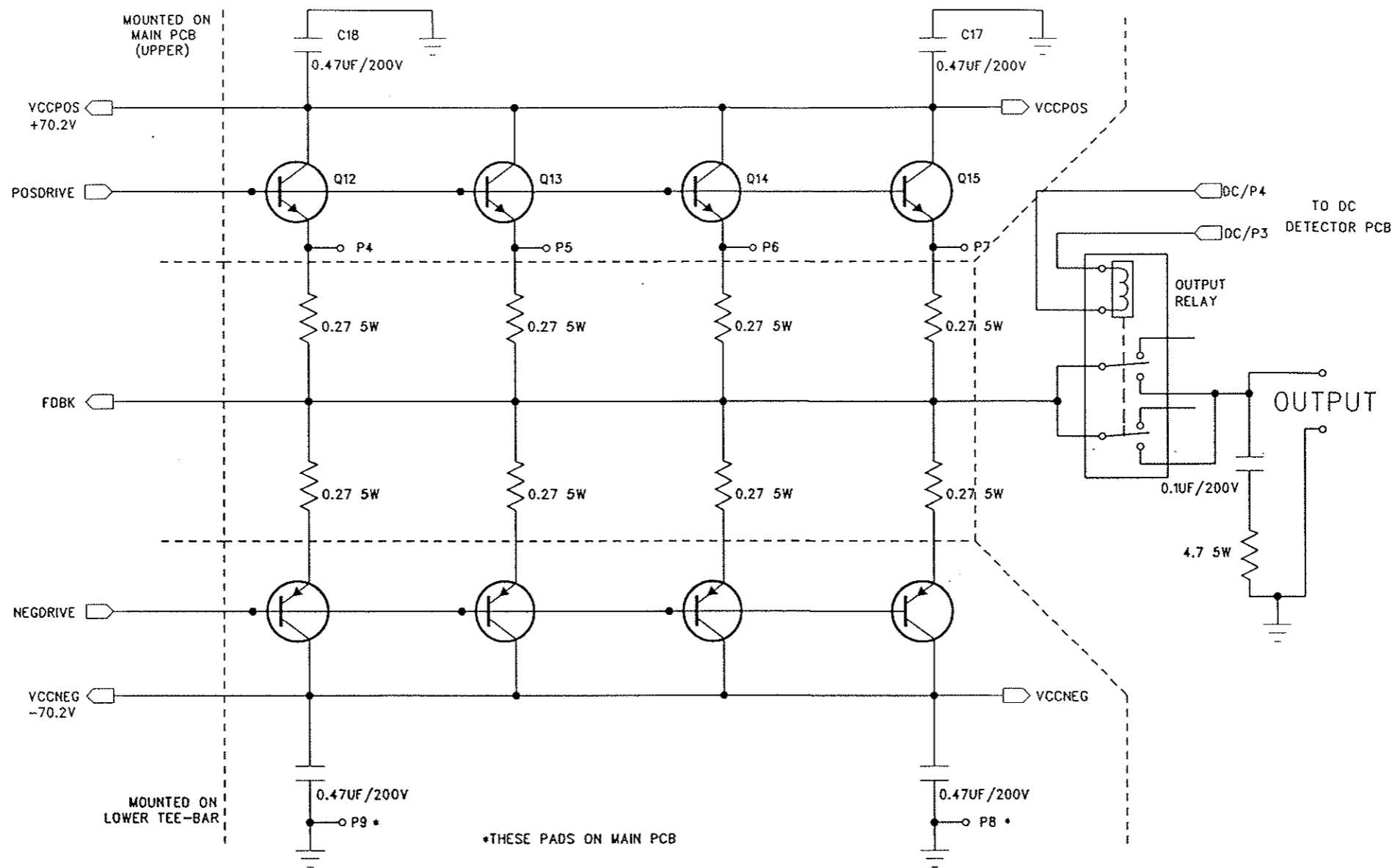
MOUNTED ON UPPER T-BAR MIDDLE DEVICE

MOUNTED ON LOWER T-BAR MIDDLE DEVICE

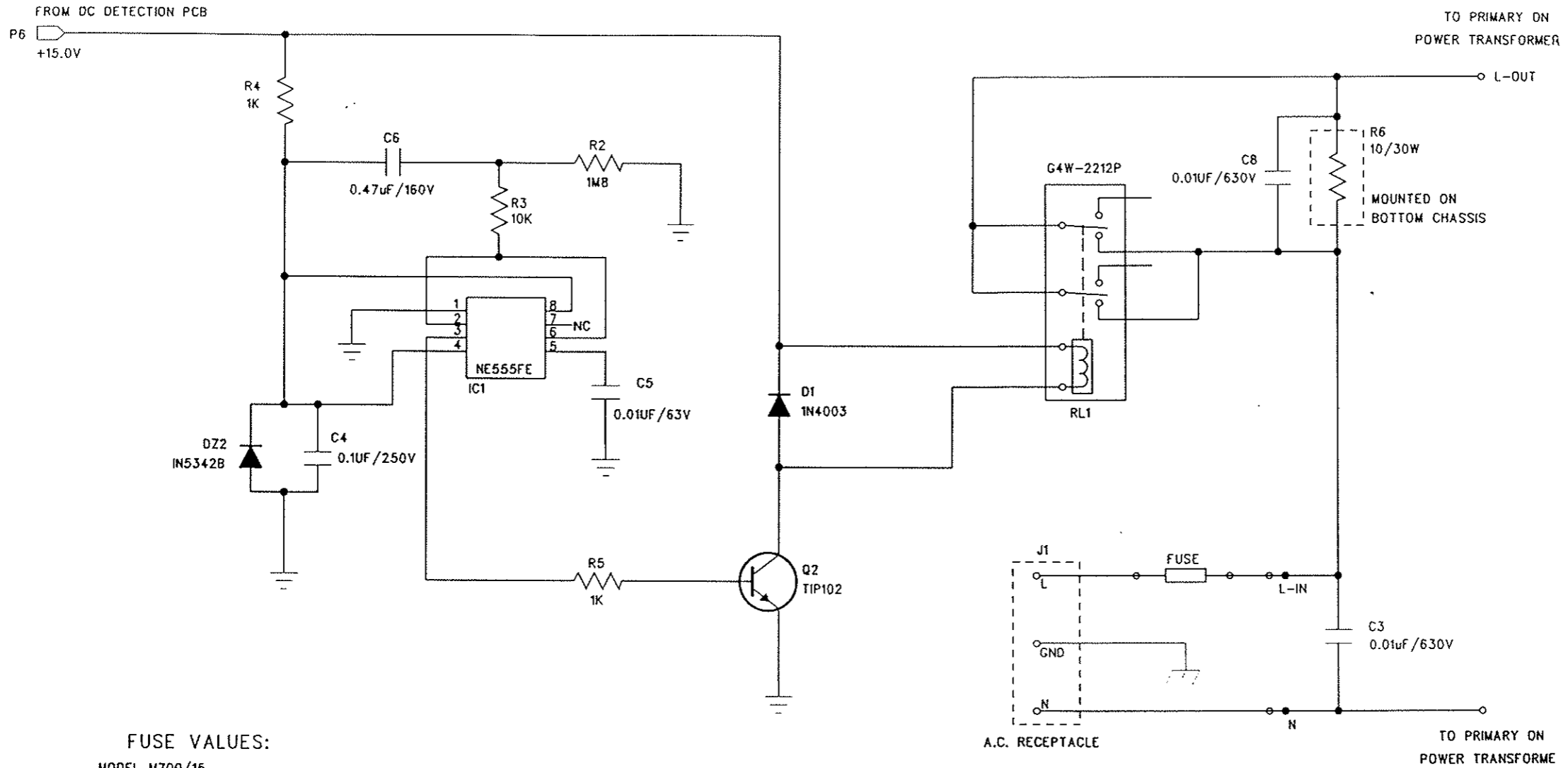
LEFT CHANNEL SHOWN

• = INSTALLED DURING CALIBRATION

COMPANY:		CLASSE AUDIO INC.	
TITLE:		CLASSE M700 POWER AMPLIFIER (MONO)	
DESC:		LEFT CHANNEL CIRCUITRY	
DRAWING NO:		7HPCB	
DRAWN:	NVK	DATE:	JUNE 8/92
		SHEET:	2 OF 7



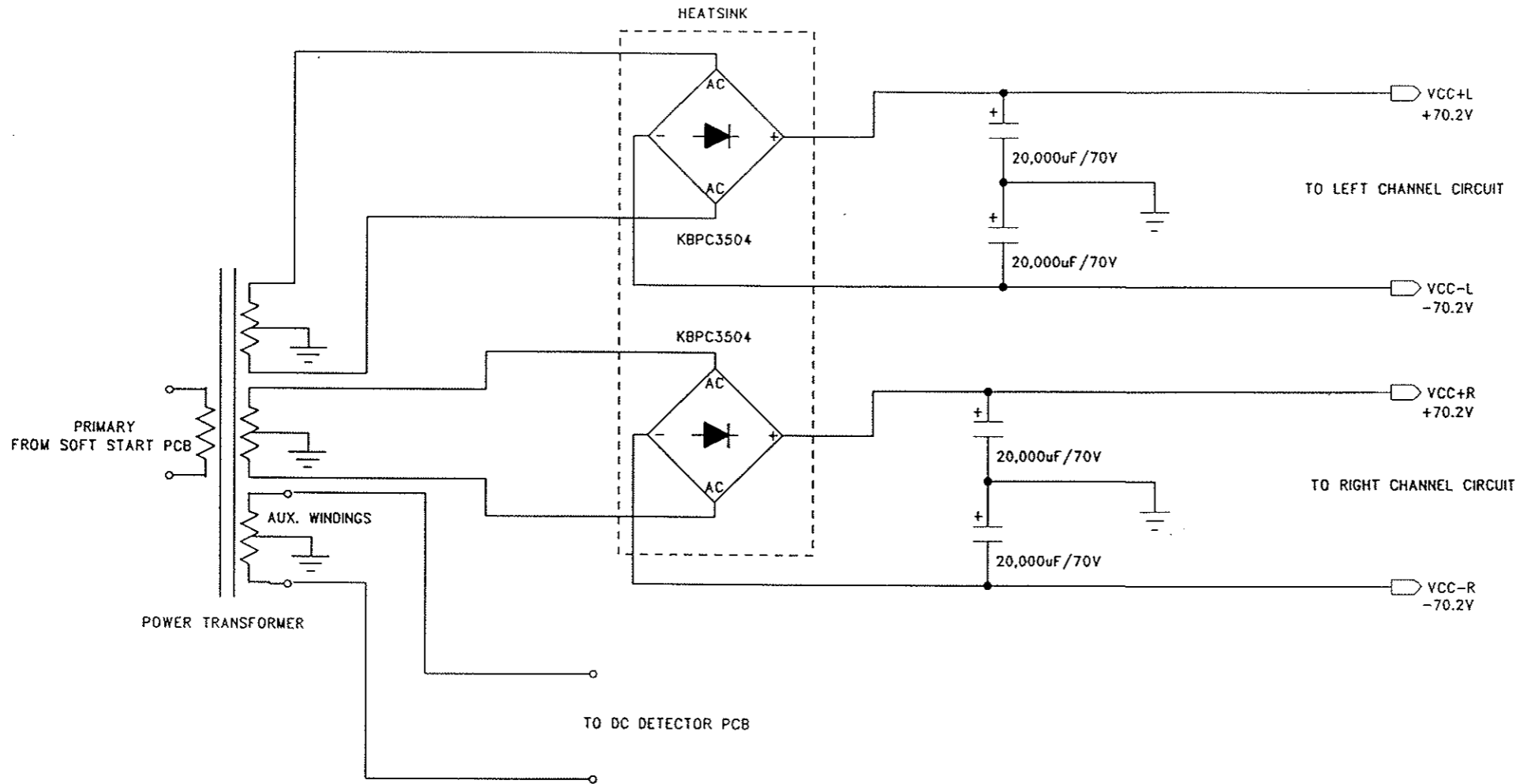
COMPANY: CLASSE AUDIO INC.	
TITLE: CLASSE M700 POWER AMPLIFIER (MONO)	
DESC: OUTPUT STAGE	
DRAWING NO: 7HOP	
DRAWN: NVK	DATE: JUNE 8/92 SHEET: 3 OF 7



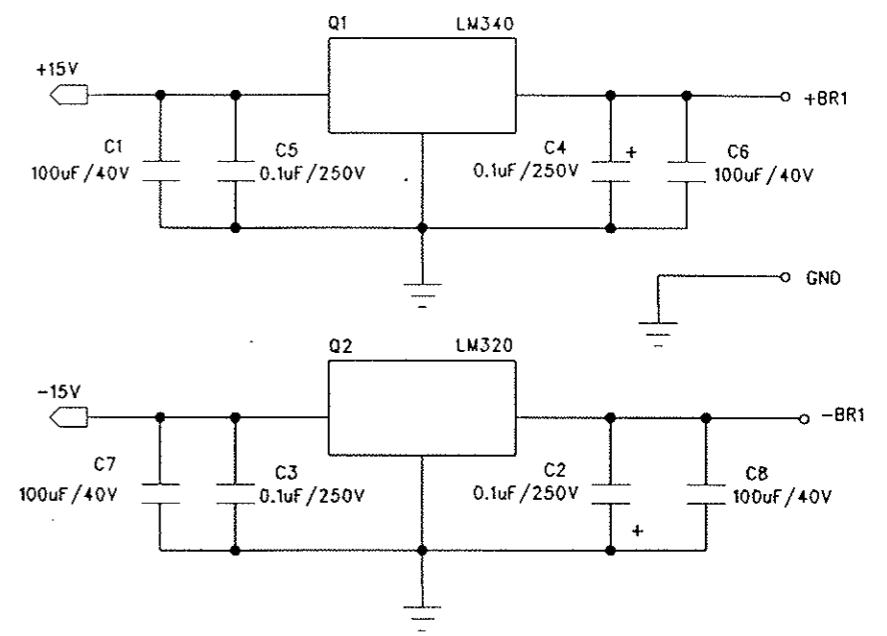
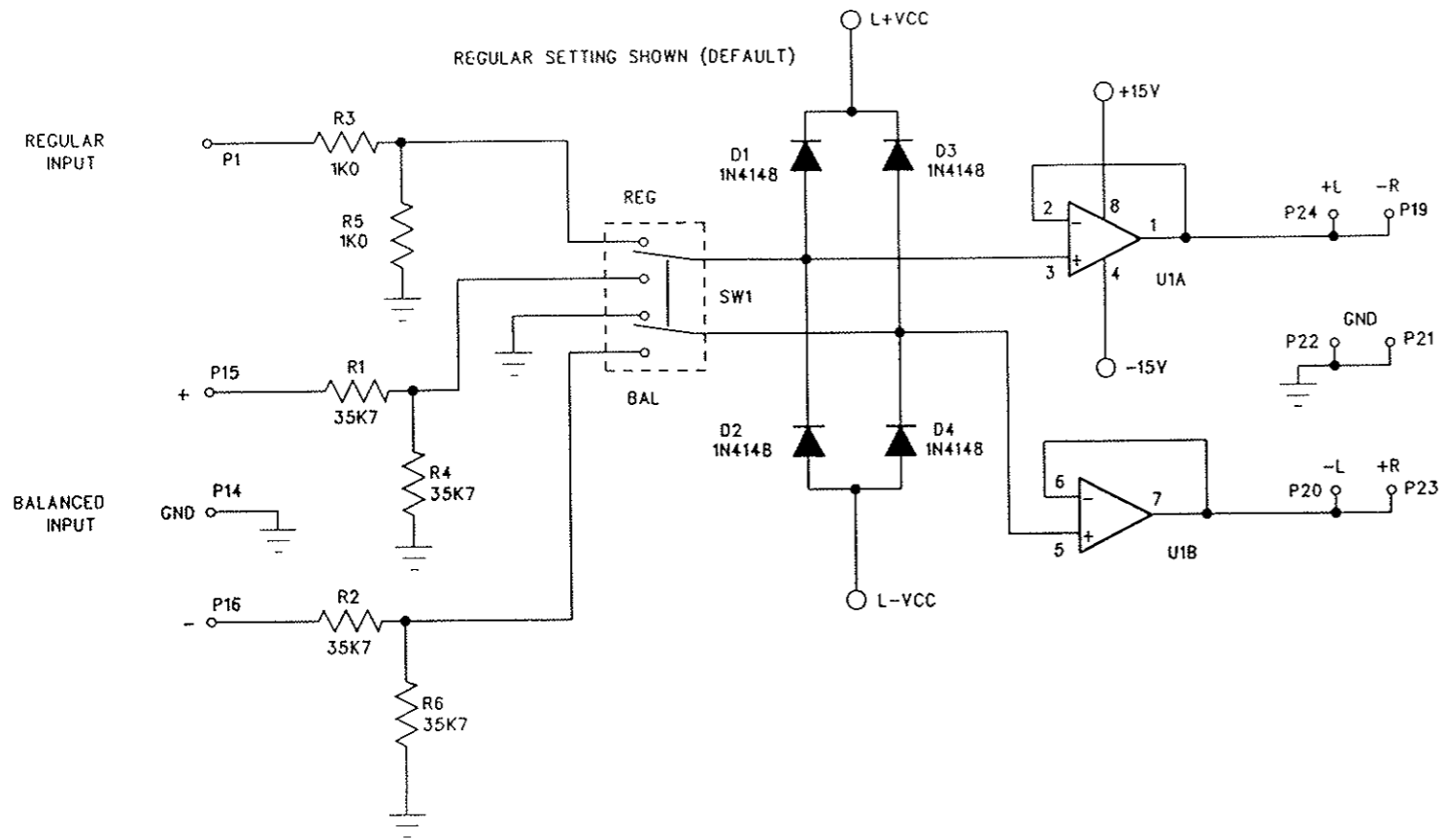
FUSE VALUES:

MODEL M700/15
 100-120VAC: 8 AMP FAST-BLO
 220-240VAC: 4 AMP FAST-BLO
 MODEL M1000/25
 100-120VAC: 12 AMP FAST-BLO
 220-240VAC: 6 AMP FAST-BLO

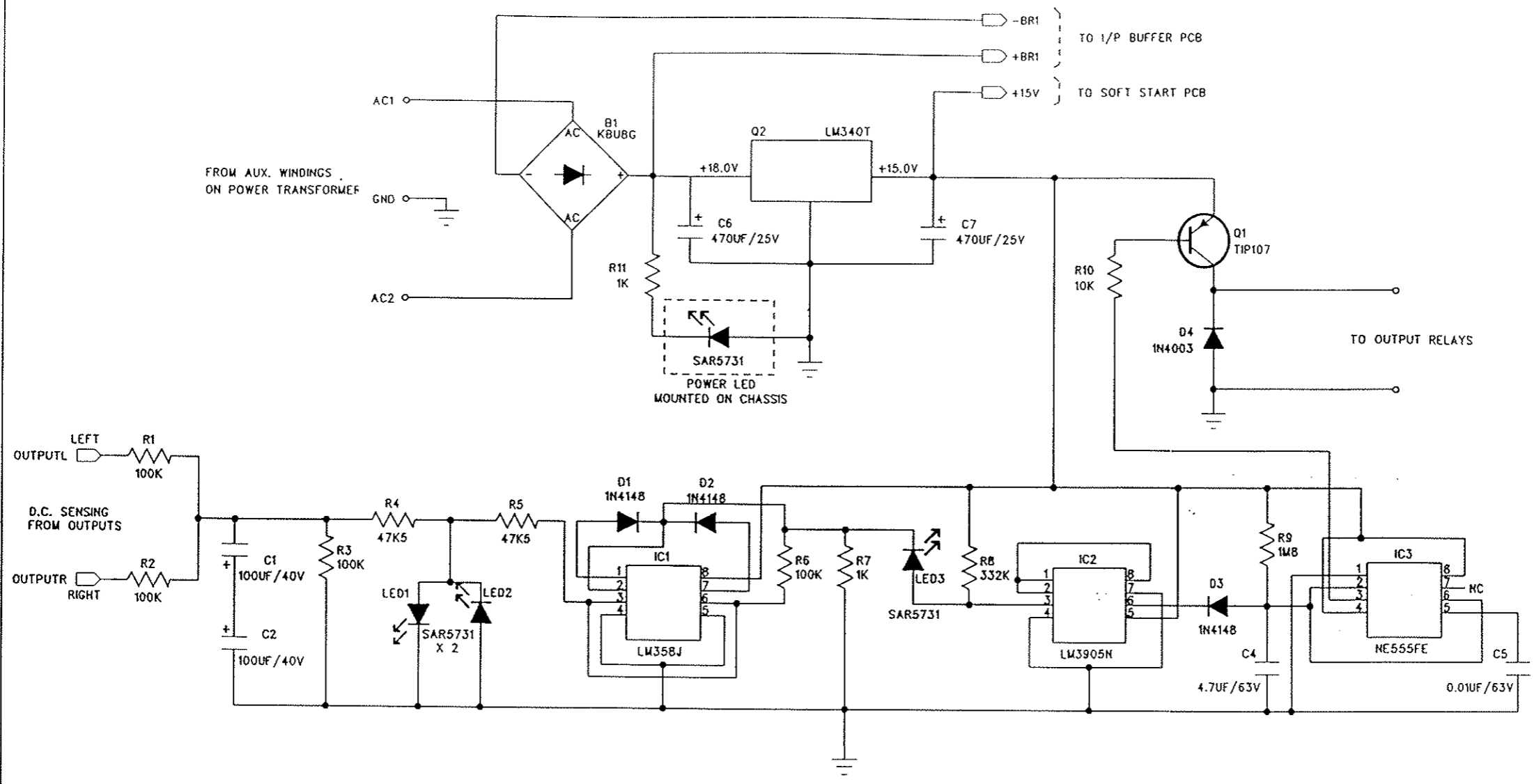
COMPANY: CLASSE AUDIO INC.	
TITLE: CLASSE M1000/M700/25/15 POWER AMPLIFIERS	
DESC: SOFT START	
DRAWING NO: 1KST	
DRAWN: NVK	DATE: JUNE 8/92 SHEET: 4 OF 7



COMPANY: CLASSE AUDIO INC.		
TITLE: CLASSE M700 POWER AMPLIFIER (MONO)		
DESC: MAIN POWER SUPPLY		
DRAWING NO: 7HPS		
DRAWN: NVK	DATE: JUN 8/92	SHEET: 5 OF 7



COMPANY:		CLASSE AUDIO INC.	
TITLE:		CLASSE M1000/M700 POWER AMPLIFIER	
DESC:		BAL/REG INPUT BUFFERS	
DRAWING NO:		1KIP	
DRAWN:	NVK	DATE:	JUNE 8/92 SHEET: 6 OF 7



TO I/P BUFFER PCB
 TO SOFT START PCB

FROM AUX. WINDINGS
 ON POWER TRANSFORMER

TO OUTPUT RELAYS

POWER LED
 MOUNTED ON CHASSIS

LEFT
 OUTPUTL
 RIGHT
 OUTPUTR

COMPANY: CLASSE AUDIO INC.		
TITLE: MODEL M1000/M700/25/15 POWER AMPLIFIERS		
DESC: D.C. PROTECTION		
DRAWING NO: 1KDC		
DRAWN: NVK	DATE: JUNE 8/92	SHEET: 7 OF 7

"BIAS FOR OLD MODELS"

DR 9-8 \Rightarrow 18

DR 10-M10 \Rightarrow 21

DR 15-25 - 1/5 1000 - 700 \Rightarrow 22

CLASSE' 70 \Rightarrow 21

FOR ALL MODELS & IF THE PRE-DRIVER
ARE MOUNTED ON
HEAT SINK USE THE
TOP CORNER TO
FINAL TEST.
(TO SET BIAS+OFFSET)

**INSTRUCTIONS FOR CONVERSION OF CLASSÉ M-1000/M700/NEW 15/25
TO NEW OPERATING LINE VOLTAGE**

1. Disconnect unit from A.C. line
2. Reconnect all jumpers on voltage selector PCB as shown below, for the desired voltage.
NOTE: the PCB is located at the front left of unit.
3. Replace the varistor (V1) for new line voltage:
 - ** for 100V to 120V: 221
 - ** for 220V to 240V: 391 or 441

NOTE: if varistor is not available then remove old varistor and leave it empty.

4. Re-assemble the unit.
5. Change fuse according to the owner's manual.

JUMPER CONFIGURATION

LINE VOLTAGE	JUMPERS
100	A, F, E
120	C, A, D
220	B, E
240	B, D

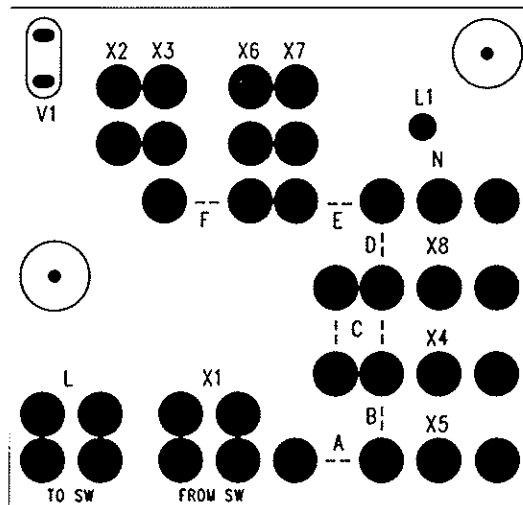


FIGURE 1: VOLTAGE SELECTOR PCB