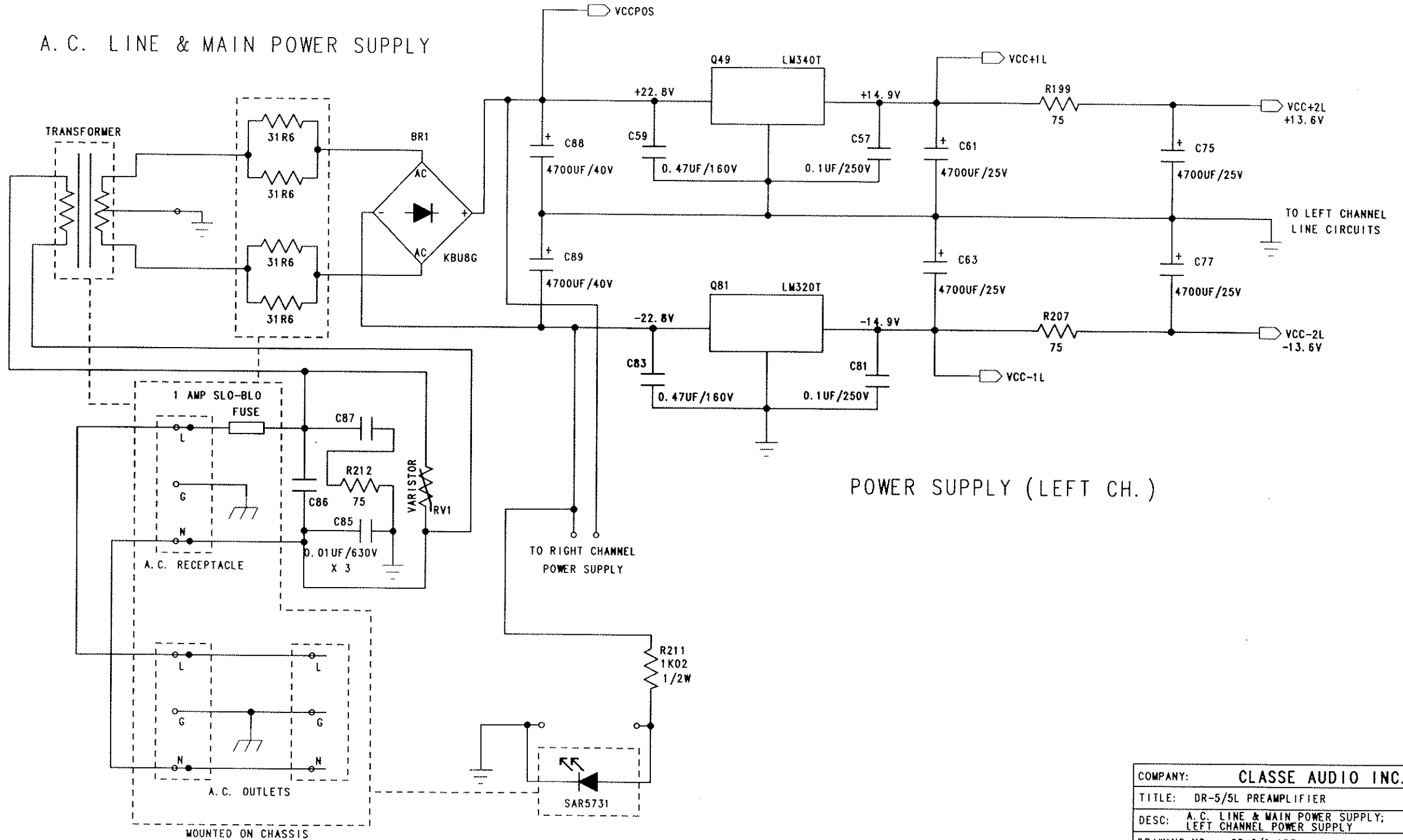
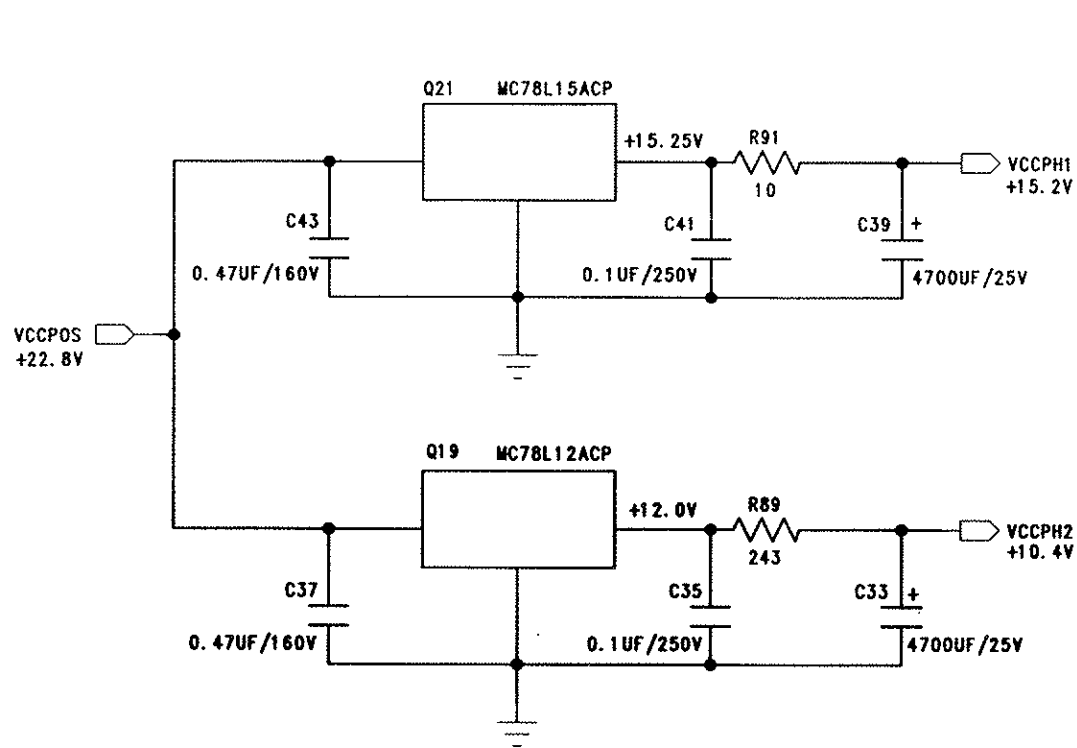


A. C. LINE & MAIN POWER SUPPLY

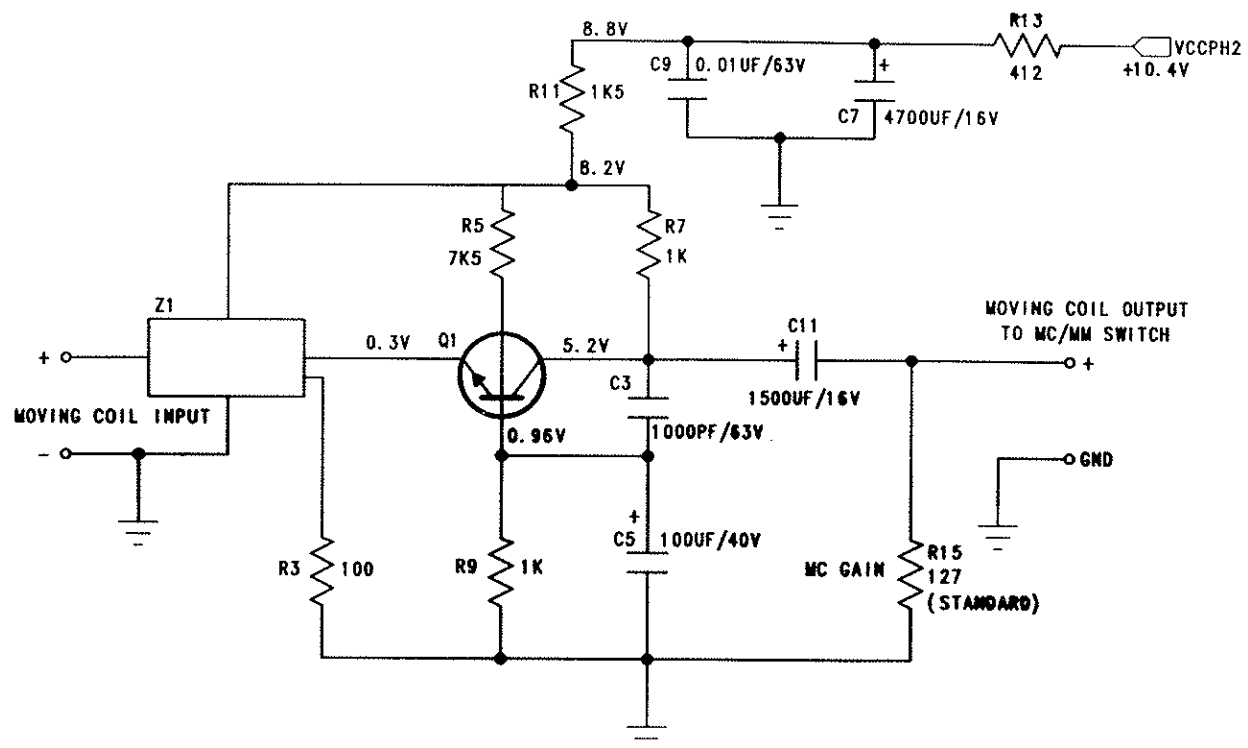


POWER SUPPLY (LEFT CH.)

COMPANY:	CLASSE AUDIO INC.
TITLE:	DR-5/5L PREAMPLIFIER
DESC:	A. C. LINE & MAIN POWER SUPPLY; LEFT CHANNEL POWER SUPPLY
DRAWING NO:	DR-5/6-1R3-1
DRAWN:	DJR
DATE:	FEB. 15/91
SHEET:	1 OF 5



PHONO POWER SUPPLY (LEFT CH.)



MOVING COIL PHONO (LEFT CH.)

REVISIONS:

PART NUMBER	WAS	IS	DATE
C3	3300PF/63V	1000PF/63V	JUL. 9/91.

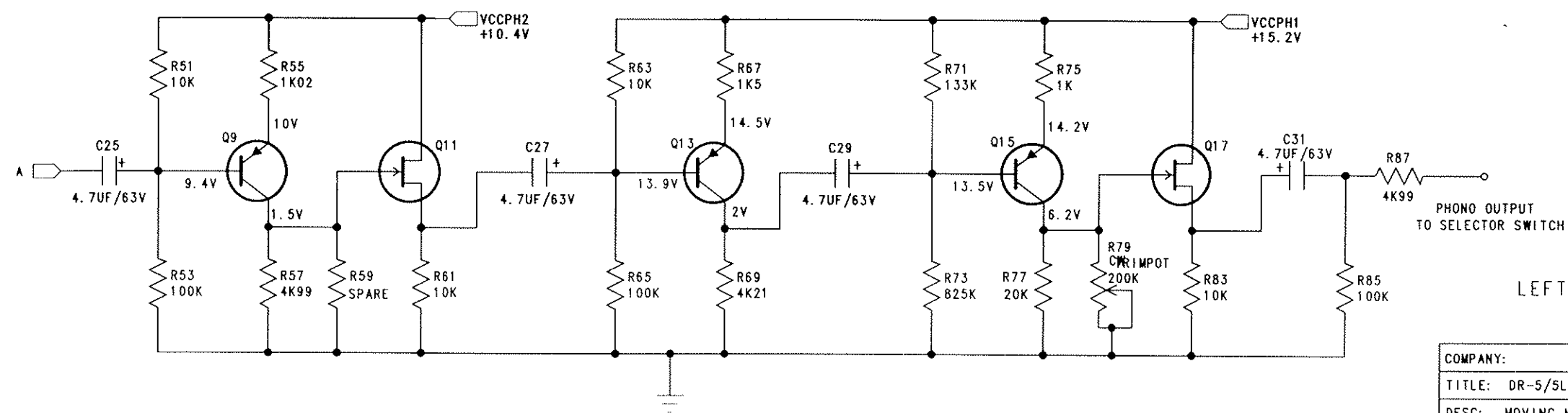
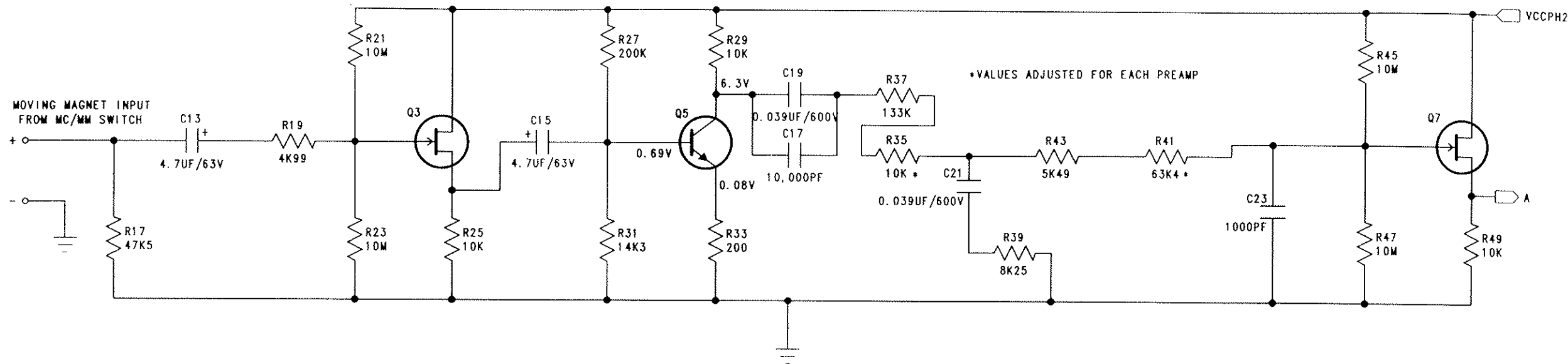
COMPANY: CLASSE AUDIO INC.

TITLE: DR-5/5L PREAMPLIFIER

DESC: PHONO POWER SUPPLY; MOVING COIL PHONO

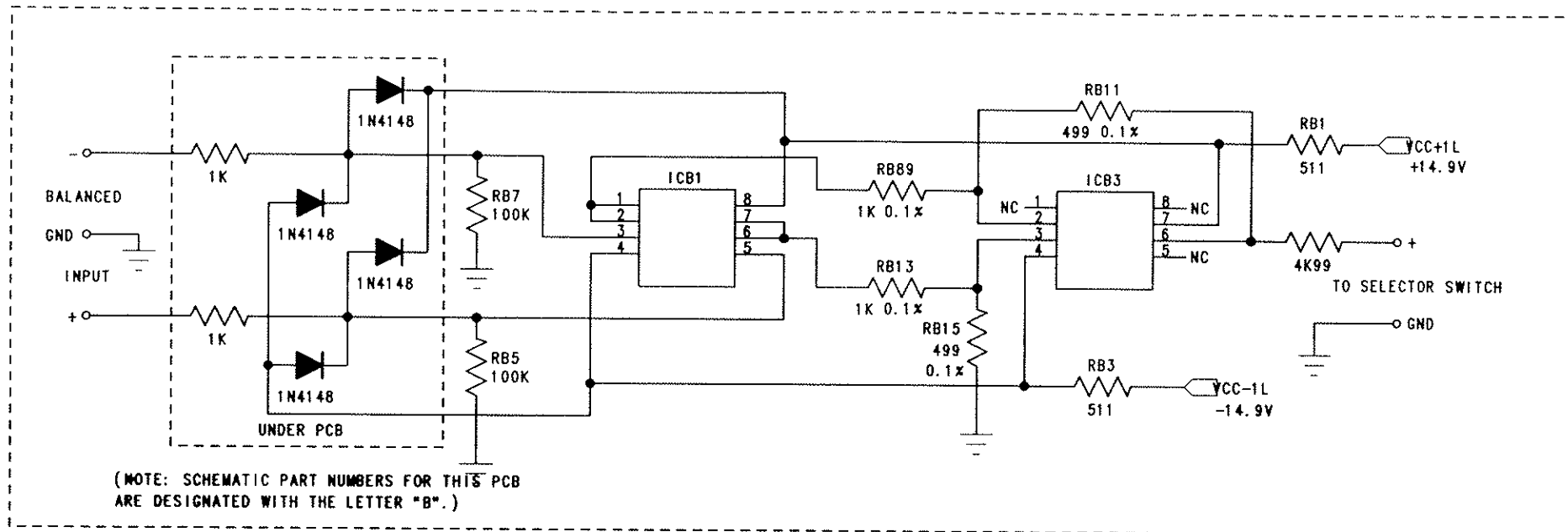
DRAWING NO: DR-5/6-1R3-2

DRAWN: DJR DATE: FEB.15/91 SHEET: 2 OF 5

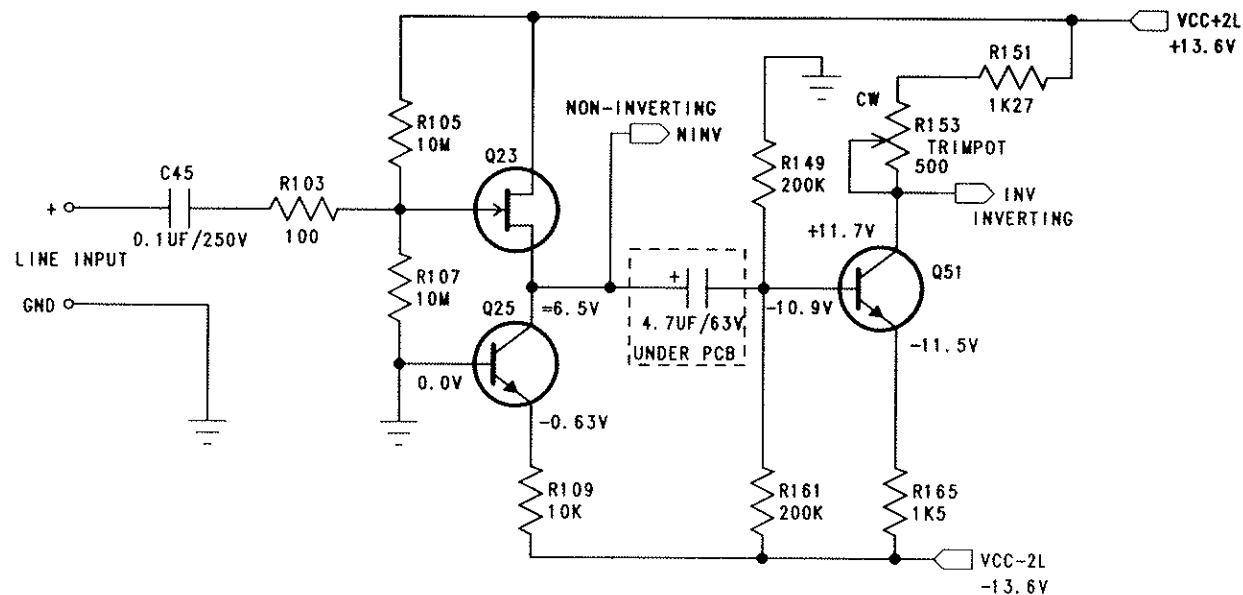


LEFT CHANNEL SHOWN

COMPANY:	CLASSE AUDIO INC.
TITLE:	DR-5/5L PREAMPLIFIER
DESC:	MOVING MAGNET PHONO
DRAWING NO:	DR-5/6-1R3-3
DRAWN:	DJR
DATE:	FEB. 15/91
SHEET:	3 OF 5



BALANCED INPUT (LEFT CH.) (UNDERNEATH MAIN PCB)



LINE BUFFER & INVERTER (LEFT CH.)

REVISIONS:

PART NUMBER	WAS	IS	DATE
R157	100K	NOT USED	JULY 9/91.
R149	NOT USED	200K	JULY 9/91.
R161	10K	200K	JULY 9/91.
UNDER PCB	10UF/63V	4.7UF/63V	JULY 9/91.

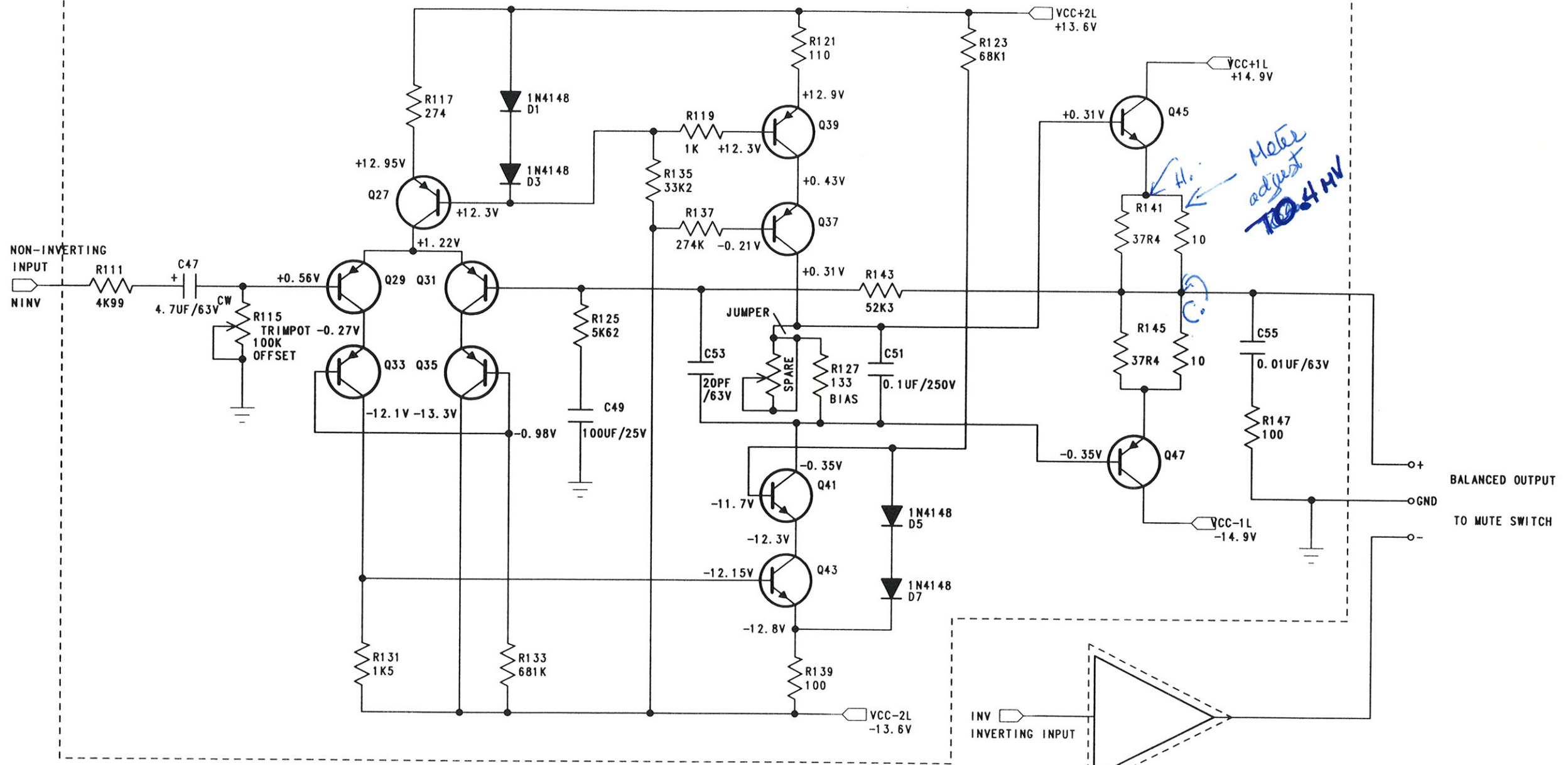
COMPANY: CLASSE AUDIO INC.

TITLE: DR-5/5L PREAMPLIFIER

DESC: BALANCED INPUT; LINE BUFFER & INVERTER

DRAWING NO: DR-5/6-1R3-4

DRAWN: DJR DATE: FEB.15/91 SHEET: 4 OF 5

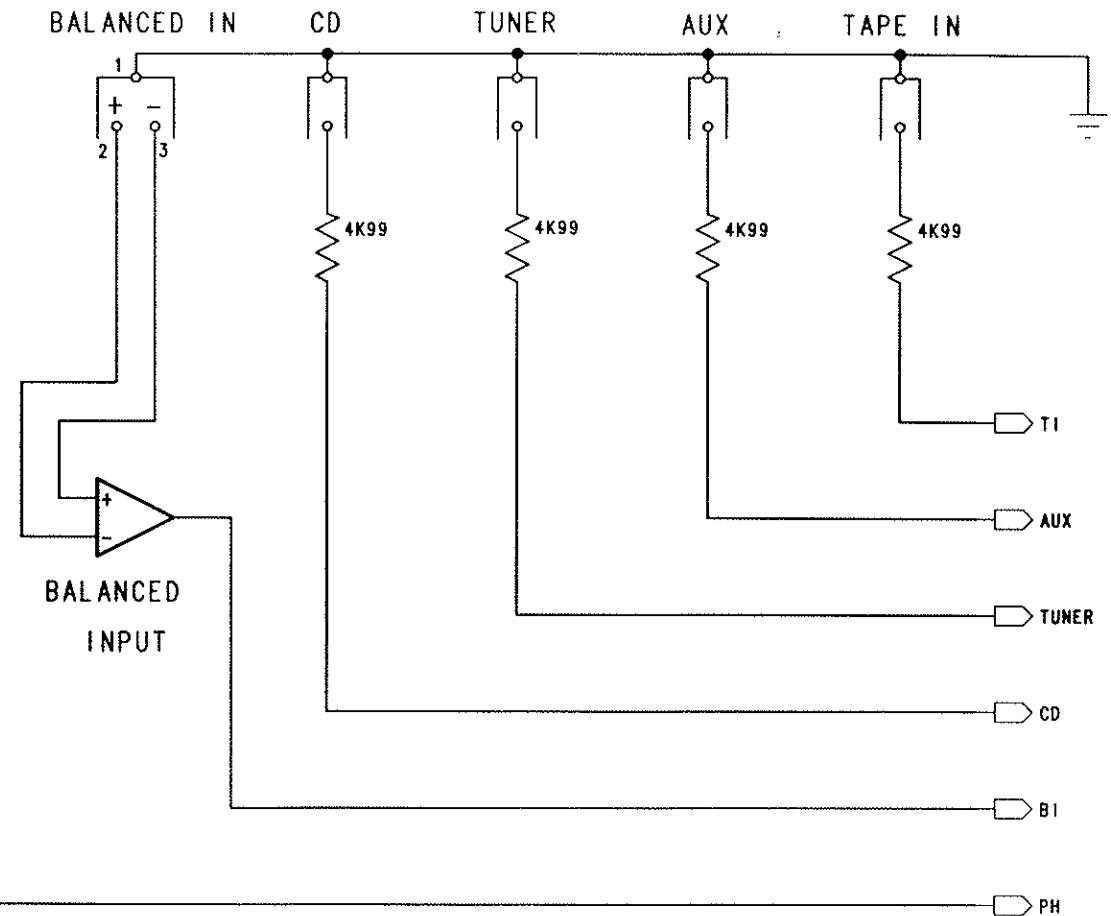
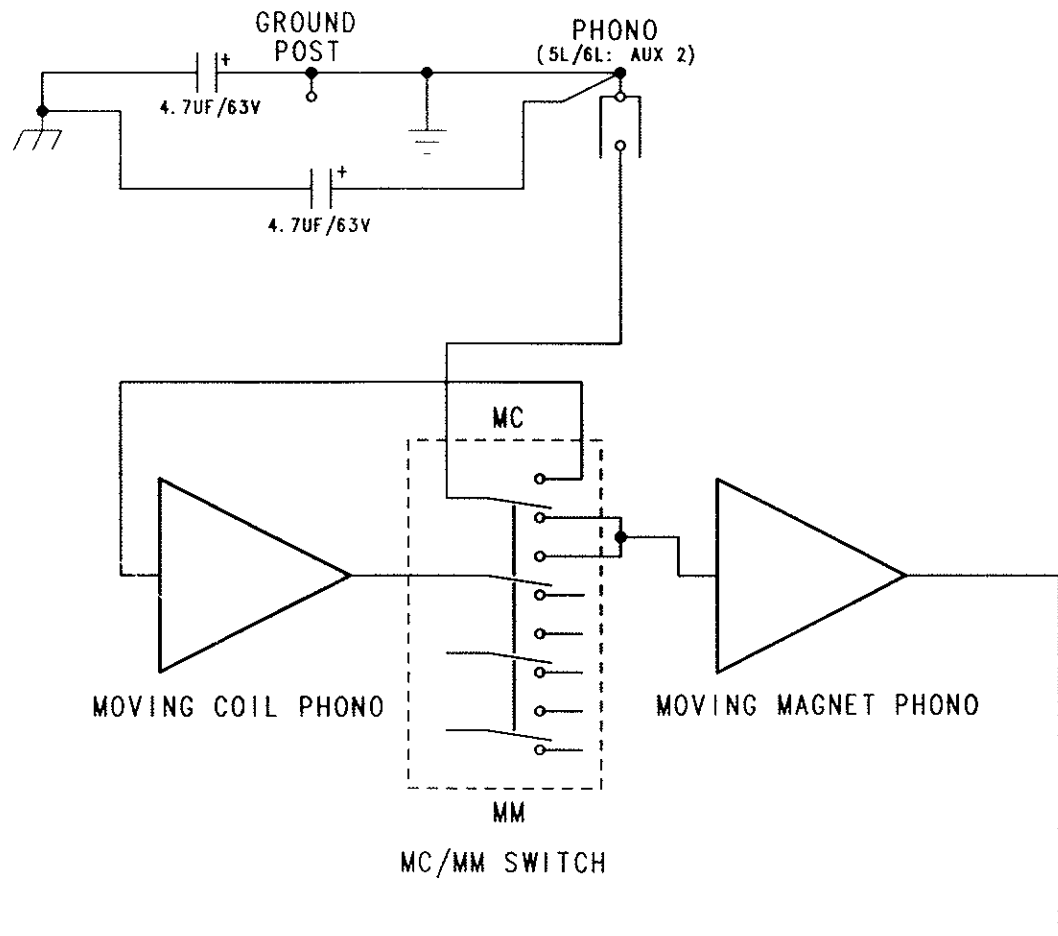


LEFT CHANNEL SHOWN

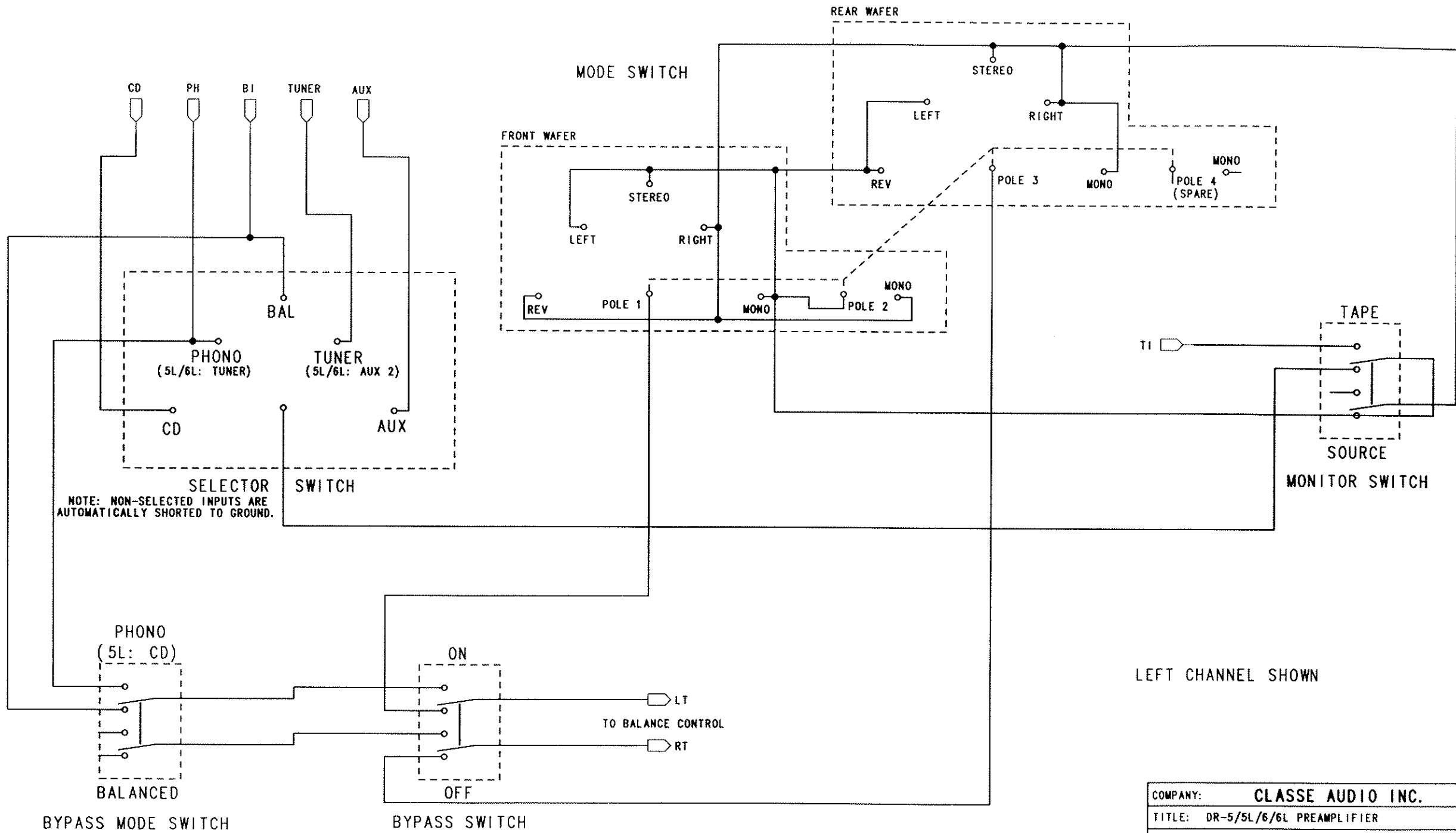
PART A

PART B
(IDENTICAL TO PART A)

COMPANY:	CLASSE AUDIO INC.
TITLE:	DR-5/5L PREAMPLIFIER
DESC:	LINE STAGE
DRAWING NO:	DR-5/6-1R3-5
DRAWN:	DJR
DATE:	FEB. 15/91
SHEET:	5 OF 5

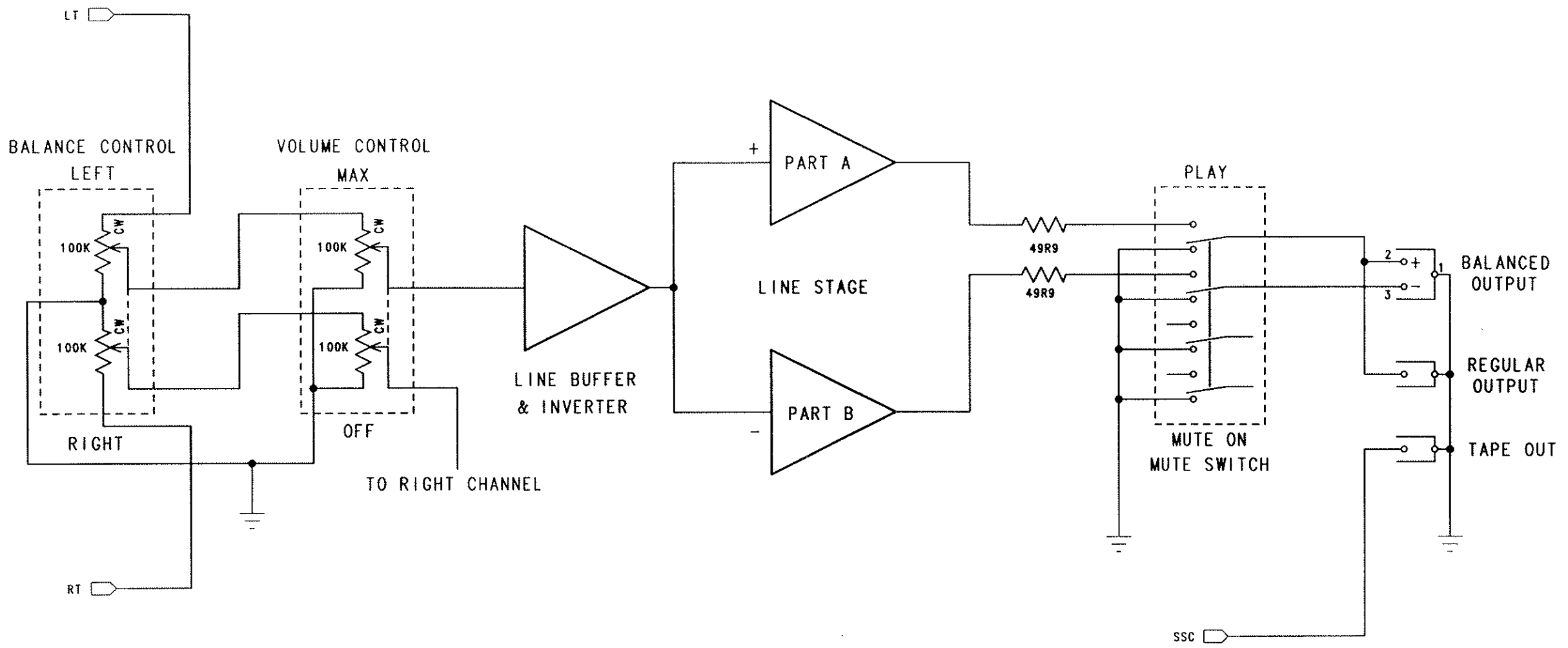


COMPANY:		CLASSE AUDIO INC.	
TITLE:		DR-5/5L/6/6L PREAMPLIFIER	
DESC:		FLOW DIAGRAM	
DRAWING NO:		6FD-1	
DRAWN:	DJR	DATE:	MAR. 8/91.
		SHEET: 1 OF 3	



LEFT CHANNEL SHOWN

COMPANY: CLASSE AUDIO INC.	
TITLE: DR-5/5L/6/6L PREAMPLIFIER	
DESC: FLOW DIAGRAM	
DRAWING NO: 6FD-2	
DRAWN: DJR	DATE: MAR. 8/91. SHEET: 2 OF 3



LEFT CHANNEL SHOWN

COMPANY: CLASSE AUDIO INC.		
TITLE: DR-5/5L/6/6L PREAMPLIFIER		
DESC: FLOW DIAGRAM		
DRAWING NO: 6FD-3		
DRAWN: DJR	DATE: MAR. 8/91.	SHEET: 3 OF 3

SECONDARY

DOUBLE WHITE CUT - $6\frac{1}{2}$ "
ORANGE CUT - $7\frac{1}{2}$ "
RED CUT - $7\frac{1}{2}$ "
STRIP $\frac{3}{8}$ "

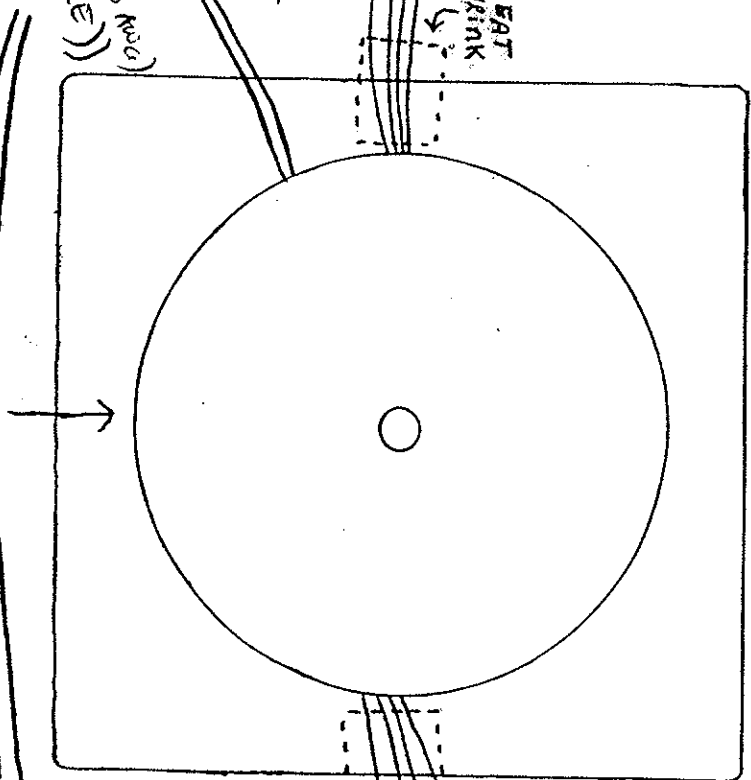
NEW DR-5 TRANSFORMER HOOK-UP
SET STRIP MACHINE AT 40.

PRIMARY 120V
BLUE + BLACK CUT - $4\frac{1}{2}$ "
YELLOW + WHITE CUT - $4\frac{1}{2}$ "

TWIST ALL SECONDARY WIRES AND ADD $\frac{3}{4}$ " HEAT SHRINK (BLACK)

AUX-2
REMOTE CONTROL (ADD 3" (18 AWG) UNITS ONLY!!! GREEN WIRE) DO NOT CUT

REG UNITS ONLY
CUT AUX-2 DOWN TO $\frac{1}{2}$ " AND COVER WITH HEATSHRINK (BLACK)



$\frac{3}{4}$ " HEAT SHRINK

$\frac{3}{4}$ " HEAT SHRINK (BLACK)

TWIST ALL PRIMARY WIRES AND ADD $\frac{3}{4}$ " HEAT SHRINK BEFORE CUTTING

← MEASURE FOR CUT AFTER TWISTING → 6"

BLACK + CLEAR FROM SUPPLY PLATE TWIST AND RUN ALONG SIDE OF TRANSFORMER

Primary 220V
BLUE CUT - $4\frac{1}{8}$ "
WHITE CUT - $4\frac{1}{2}$ "
YELLOW + BLACK CUT - $2\frac{1}{4}$ "