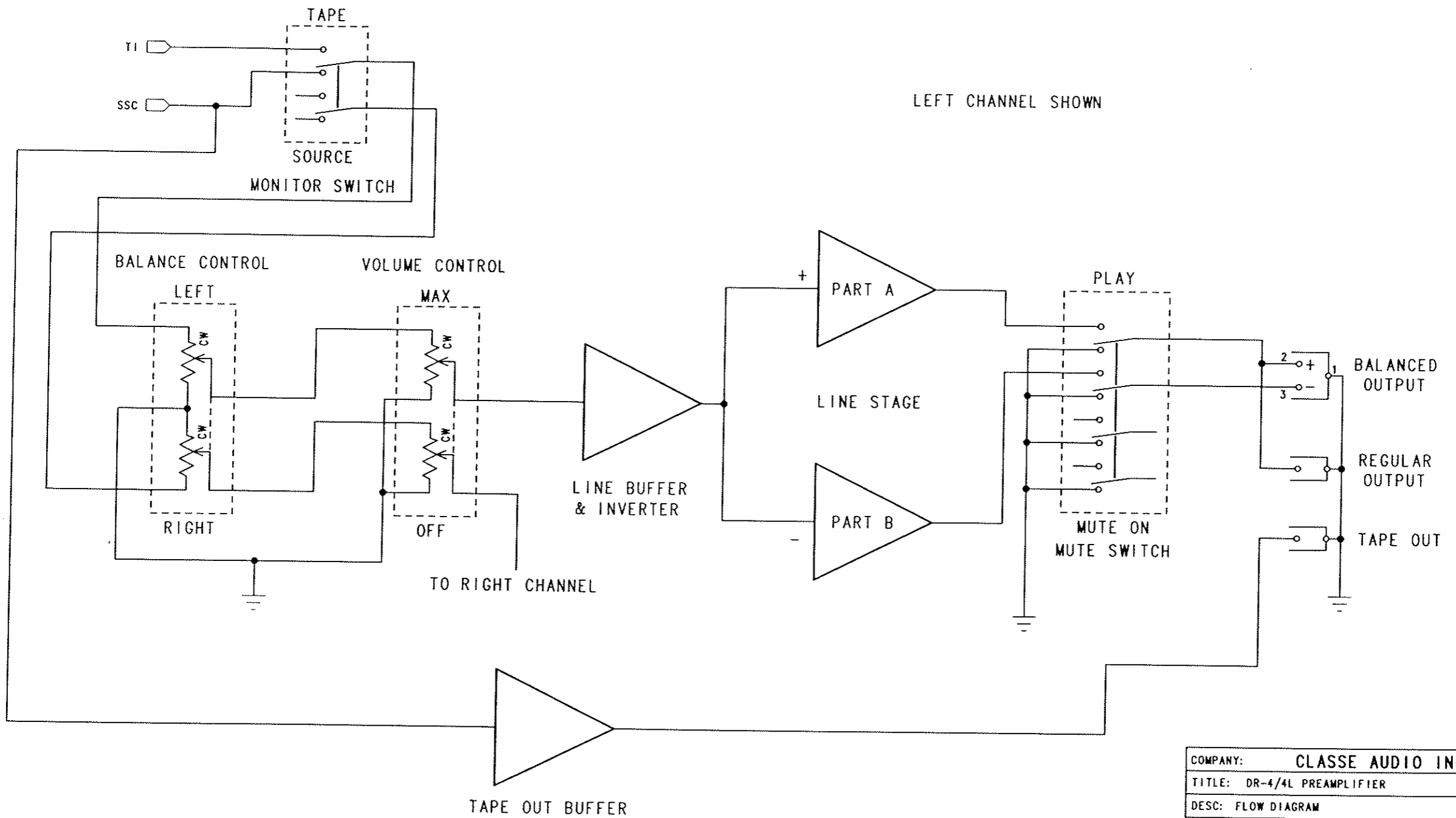
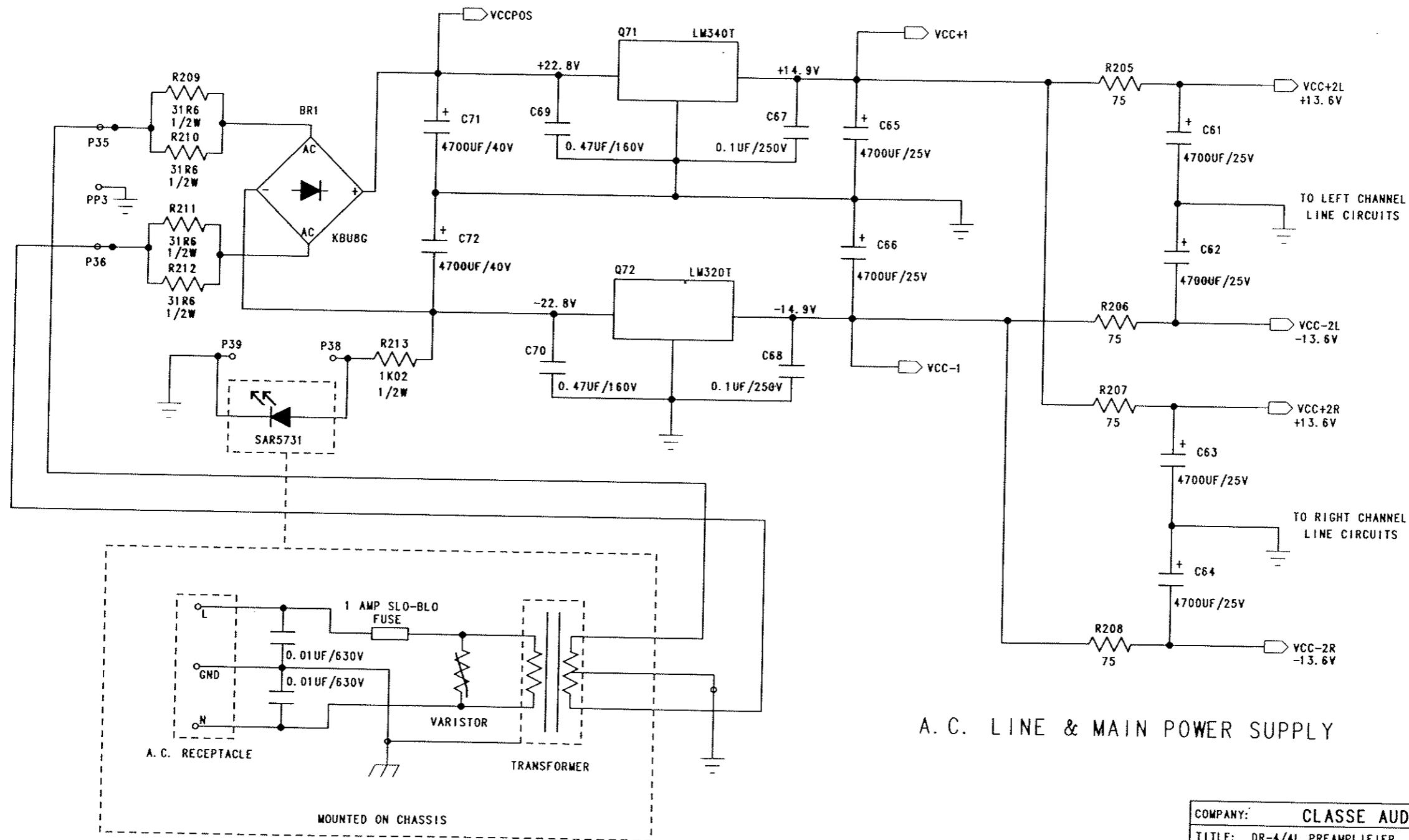


|                             |                  |               |
|-----------------------------|------------------|---------------|
| COMPANY: CLASSE AUDIO INC.  |                  |               |
| TITLE: DR-4/4L PREAMPLIFIER |                  |               |
| DESC: FLOW DIAGRAM          |                  |               |
| DRAWING NO: 4FD-1           |                  |               |
| DRAWN: DJR                  | DATE: MAR. 7/91. | SHEET: 1 OF 2 |

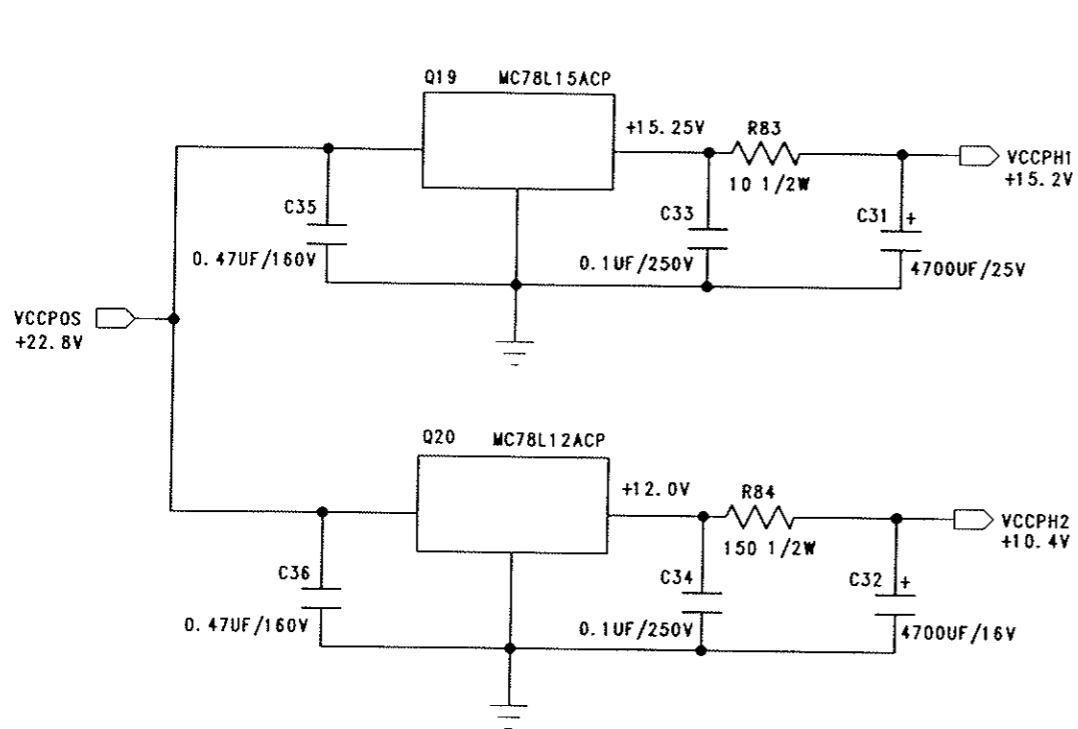


|             |     |                      |            |
|-------------|-----|----------------------|------------|
| COMPANY:    |     | CLASSE AUDIO INC.    |            |
| TITLE:      |     | DR-4/4L PREAMPLIFIER |            |
| DESC:       |     | FLOW DIAGRAM         |            |
| DRAWING NO: |     | 4FD-2                |            |
| DRAWN:      | DJR | DATE:                | MAR. 8/91. |
|             |     | SHEET:               | 2 OF 2     |

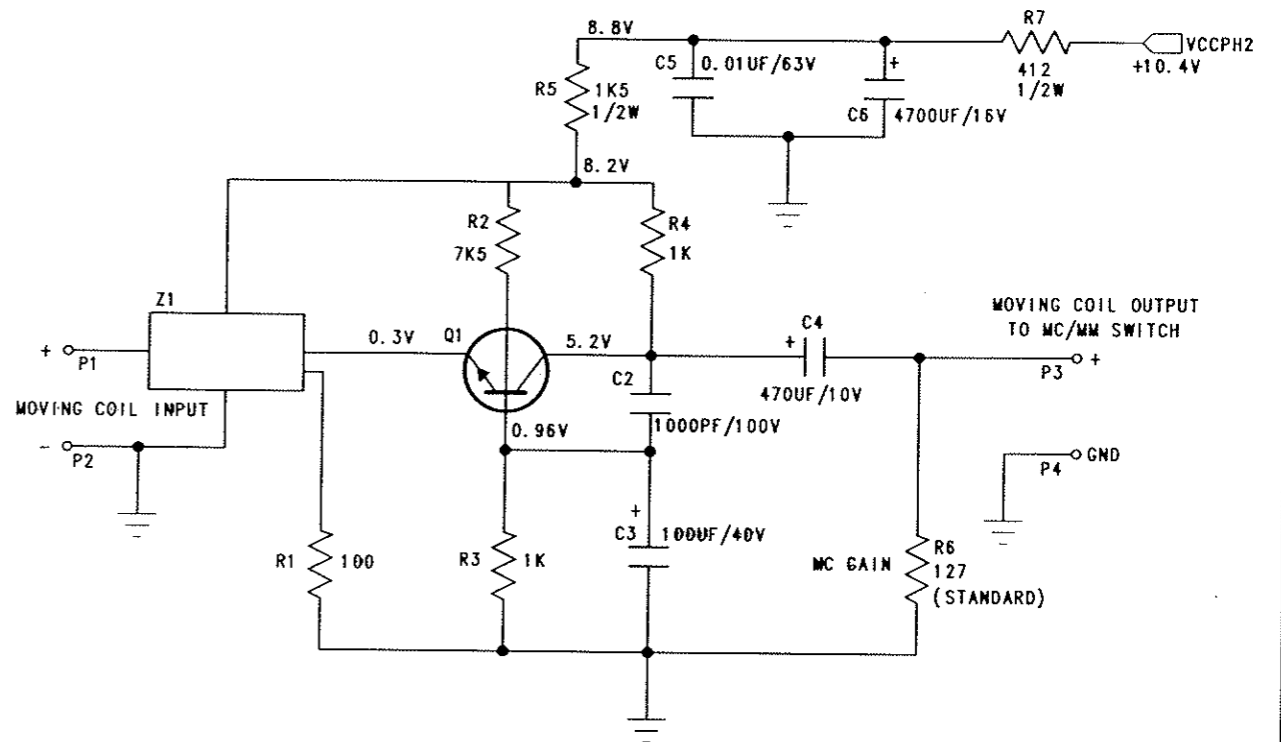


A. C. LINE & MAIN POWER SUPPLY

|                                      |                  |               |
|--------------------------------------|------------------|---------------|
| COMPANY: CLASSE AUDIO INC.           |                  |               |
| TITLE: DR-4/4L PREAMPLIFIER          |                  |               |
| DESC: A. C. LINE & MAIN POWER SUPPLY |                  |               |
| DRAWING NO: 40010R2-1                |                  |               |
| DRAWN: DJR                           | DATE: JAN. 29/91 | SHEET: 1 OF 5 |



PHONO POWER SUPPLY (BOTH CH.)



MOVING COIL PHONO (LEFT CH.)

REVISIONS:

| PART NUMBER | WAS        | IS          | DATE       |
|-------------|------------|-------------|------------|
| C2          | 3300PF/63V | 1000PF/100V | JUL. 4/91. |

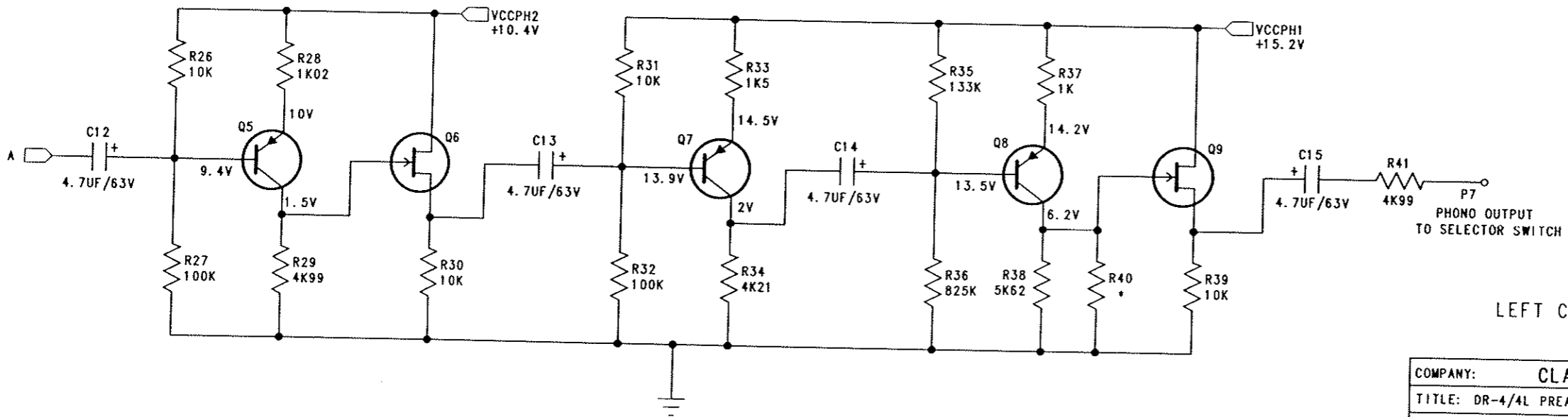
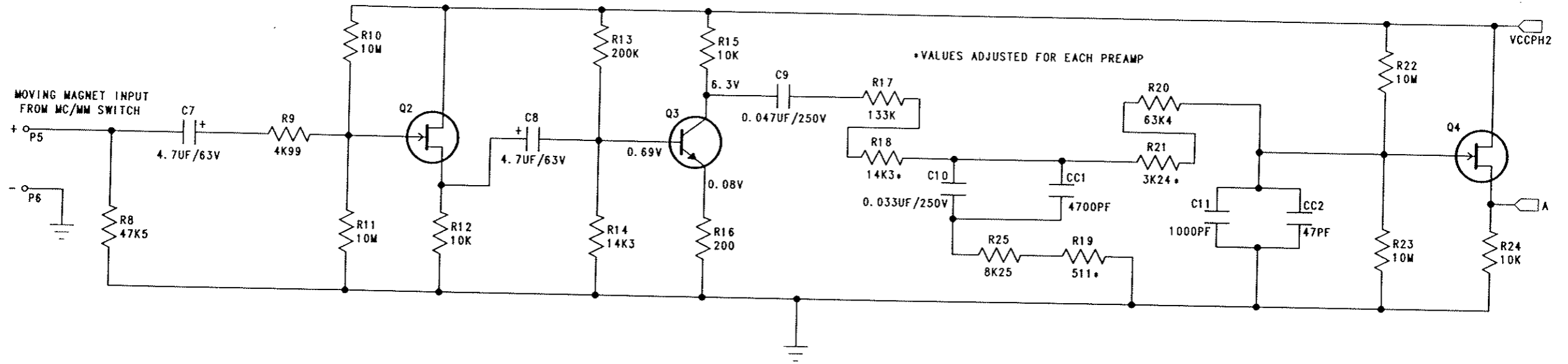
COMPANY: CLASSE AUDIO INC.

TITLE: DR-4/4L PREAMPLIFIER

DESC: PHONO POWER SUPPLY; MOVING COIL PHONO

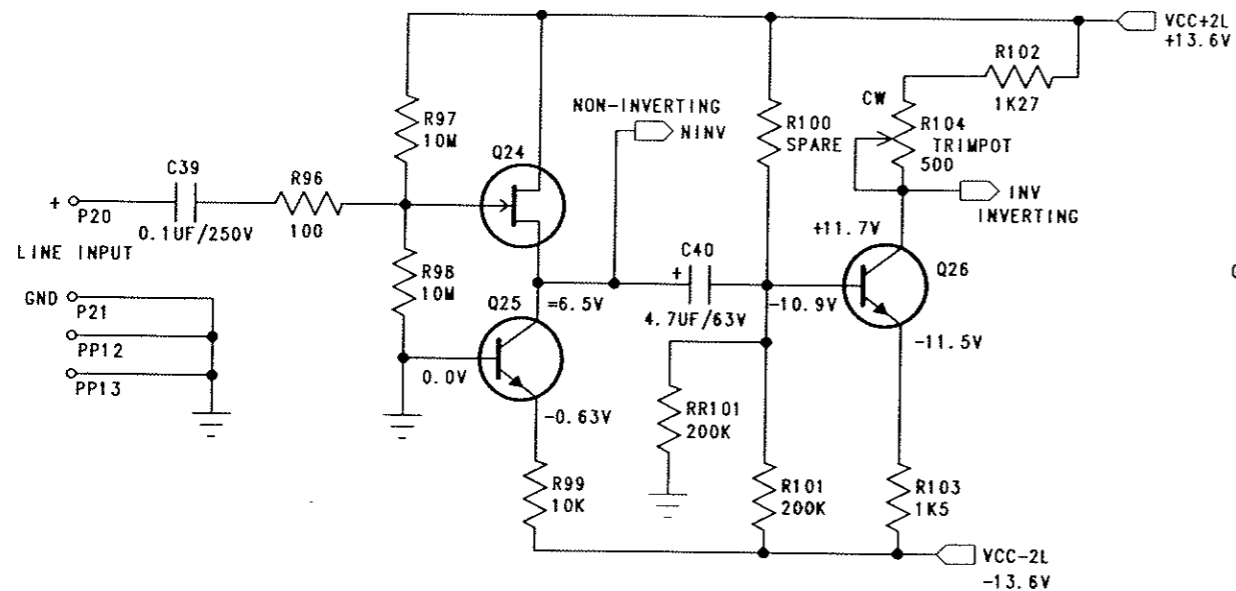
DRAWING NO: 40010R2-2

DRAWN: DJR DATE: JAN. 29/91 SHEET: 2 OF 5

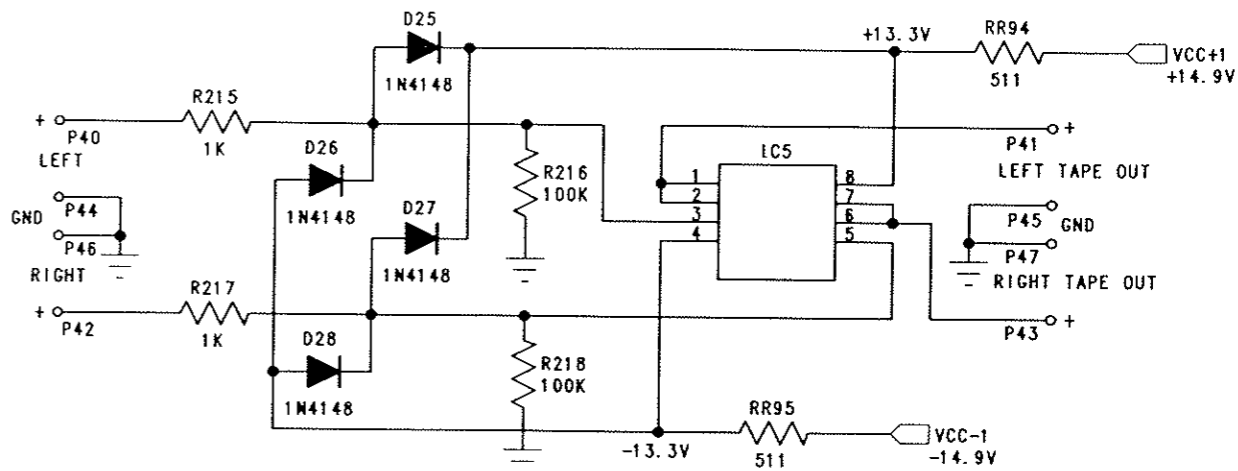


LEFT CHANNEL SHOWN

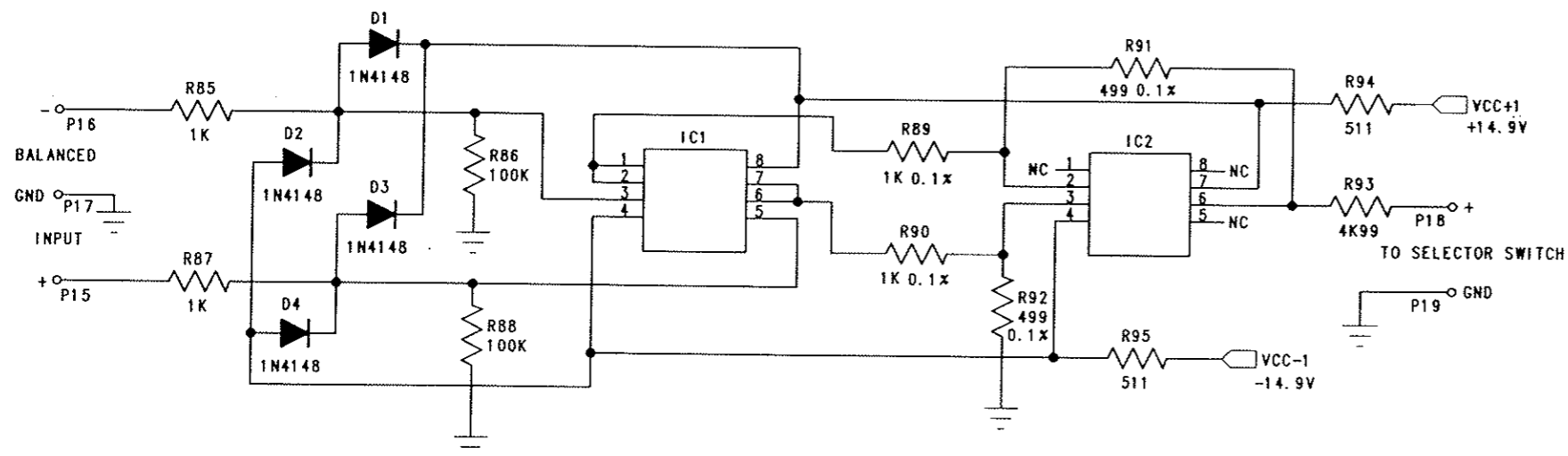
|             |                      |       |                           |
|-------------|----------------------|-------|---------------------------|
| COMPANY:    | CLASSE AUDIO INC.    |       |                           |
| TITLE:      | DR-4/4L PREAMPLIFIER |       |                           |
| DESC:       | MOVING MAGNET PHONO  |       |                           |
| DRAWING NO: | 40010R2-3            |       |                           |
| DRAWN:      | DJR                  | DATE: | JAN. 29/91. SHEET: 3 OF 5 |



LINE BUFFER & INVERTER (LEFT CH.)



TAPE OUT BUFFER (BOTH CH.)

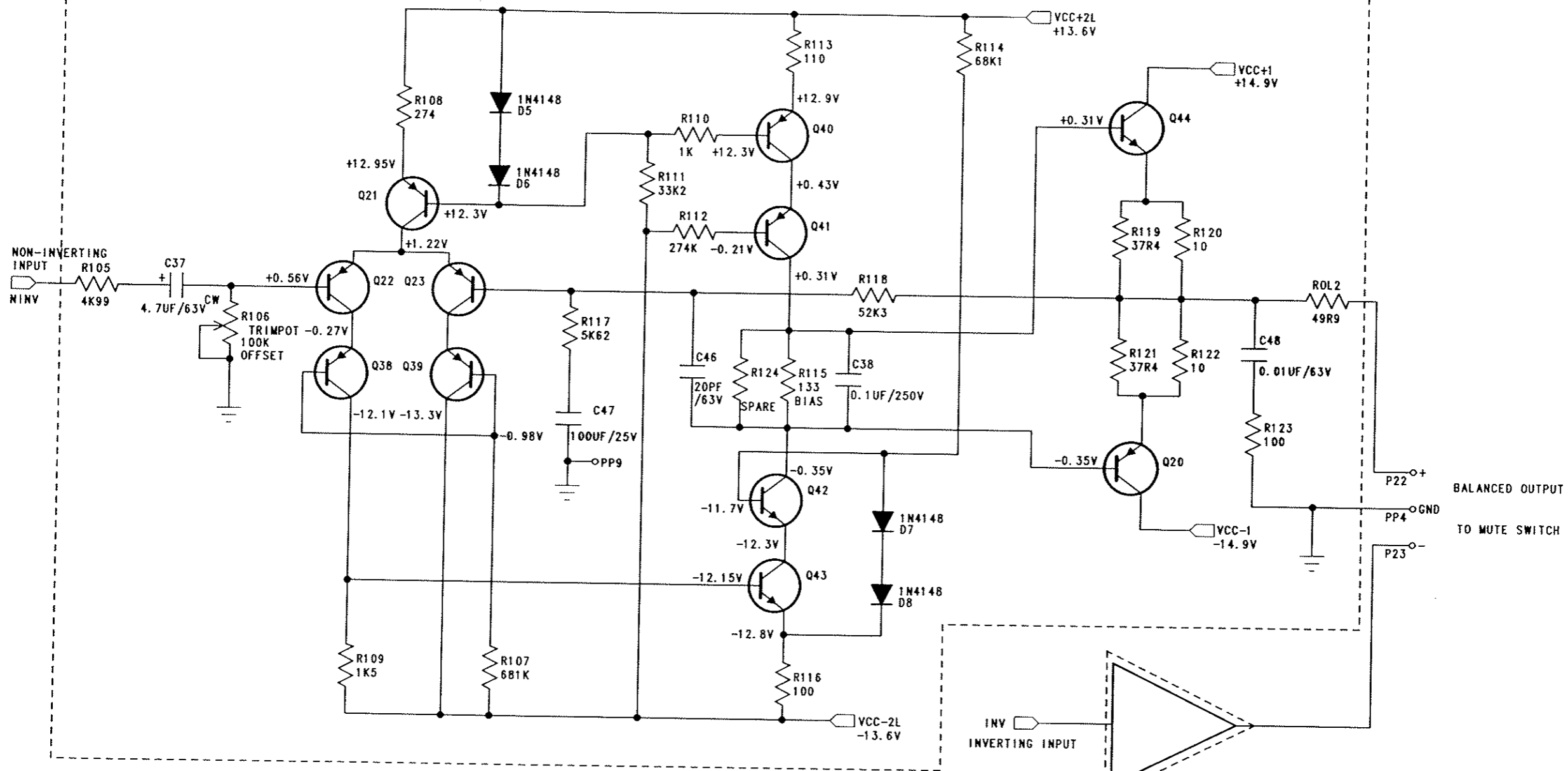


BALANCED INPUT (LEFT CH.)

REVISIONS:

| PART NUMBER | WAS   | IS    | DATE      |
|-------------|-------|-------|-----------|
| R100        | 100K  | SPARE | JUL. 4/91 |
| R101        | 10K   | 200K  | JUL. 4/91 |
| RR101       | SPARE | 200K  | JUL. 4/91 |

|   |                  |               |  |
|---|------------------|---------------|--|
| COMPANY: CLASSE AUDIO INC.                                    |                  |               |  |
| TITLE: DR-4/4L PREAMPLIFIER                                   |                  |               |  |
| DESC: LINE BUFFER & INVERTER; BALANCED INPUT; TAPE OUT BUFFER |                  |               |  |
| DRAWING NO: 40010R2-4   |                  |               |  |
| DRAWN: DJR  | DATE: JAN. 29/91 | SHEET: 4 OF 5 |  |



PART A

LEFT CHANNEL SHOWN

PART B

(IDENTICAL TO PART A)

|             |     |                      |            |
|-------------|-----|----------------------|------------|
| COMPANY:    |     | CLASSE AUDIO INC.    |            |
| TITLE:      |     | DR-4/4L PREAMPLIFIER |            |
| DESC:       |     | LINE STAGE           |            |
| DRAWING NO: |     | 40010R2-5            |            |
| DRAWN:      | DJR | DATE:                | JAN. 29/91 |
|             |     | SHEET: 5 OF 5        |            |