
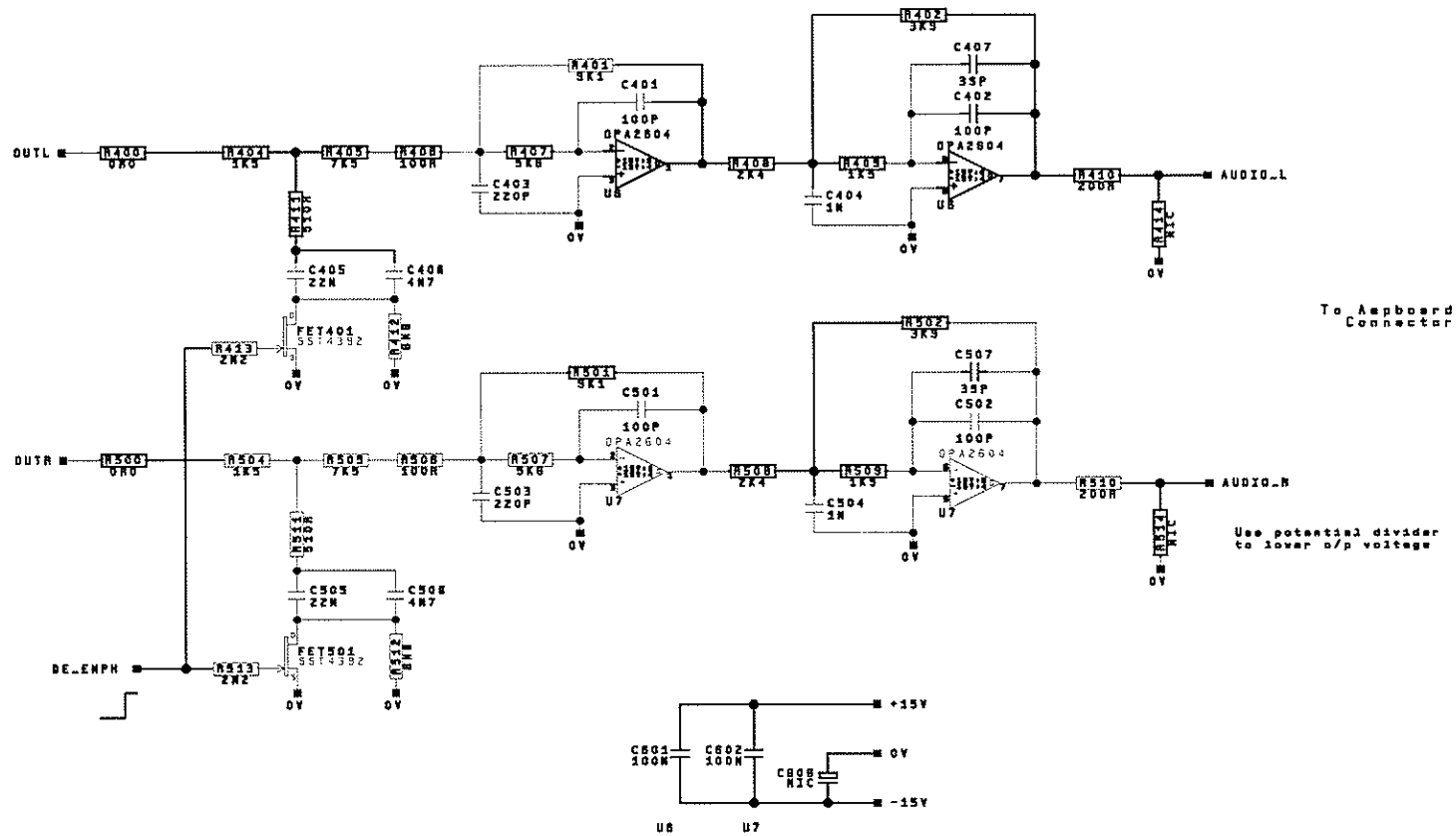


REV	DETAILS	DATE	NAME
R1	new release	02/05/00	H. Vasson
R2	R68 to 2k to improve data reading	02/05/00	H. Vasson
R3	R77 to 20k to improve tracking	02/05/00	H. Vasson
R4	R8 to HA1215B regulator C137 51C	02/05/00	H. Vasson
R5	R72 to 300k to reduce heat in SERVO	02/05/00	H. Vasson
R6	R8 to HA1215B to HA1215B	02/05/00	H. Vasson
R7	R8 to HA1215B to HA1215B	02/05/00	H. Vasson
R8	R10 to HA1215B SH & R74 to 1k	02/02/00	H. Vasson
R9	R10 to HA1215B SH & R74 to 1k	02/02/00	H. Vasson


LINN PRODUCTS LTD.
 FLOORS ROAD, WATERFOOT, EAGLESHAM, GLASGOW G78 0EP.
 TELEPHONE (0141) 307 7777 FAX (0141) 844 4282
 COPYRIGHT LINN PRODUCTS © (TRADE MARK)

CLASSIK CD DECODER & AUDIO
 Sheet 3 of 4 Date: 06/07/2001 Rev

Drawn	Checked	Passed	Part Number
RM, I.W. ARB			PCAS 294/L12R3



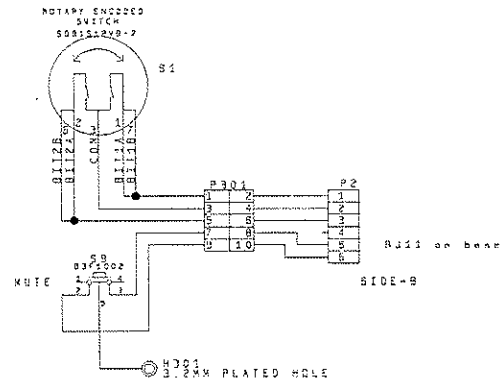
LINN PRODUCTS LTD.
 FLOORS ROAD, WATERFOOT, EAGLESHAM, GLASGOW G78 0EP.
 TELEPHONE (0141) 307 7777 FAX (0141) 844 4282
 COPYRIGHT LINN PRODUCTS (TRADE MARK)


INDIVIDUALS WHO REPRODUCE, COPY, OR TRANSMIT THIS DOCUMENT WITHOUT THE WRITTEN PERMISSION OF LINN PRODUCTS SHALL BE LIABLE TO LINN PRODUCTS FOR ALL DAMAGES AND COSTS INCURRED BY LINN PRODUCTS IN CONNECTION WITH THIS ACTION.

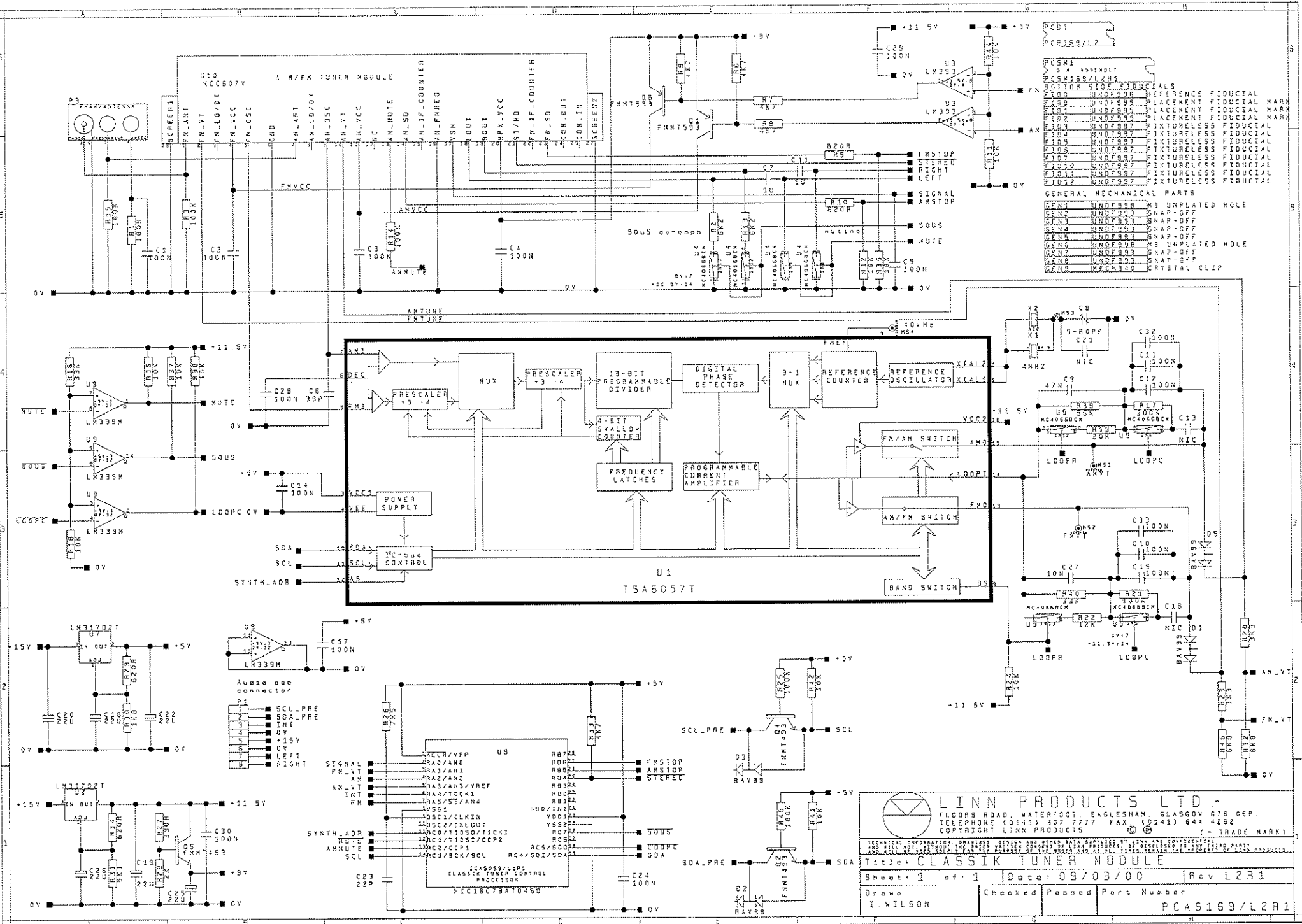
Title: Audio Filtering Stage
 Sheet: 4 of 4 Date: 06/07/2001 Rev
 Drawn: ARB Checked: Passed Part Number: PCAS 294/L12R3

FEN1	UNDERS	SNAP OFF
FEN2	UNDERS	SNAP OFF
FEN3	UNDERS	SNAP OFF
FEN4	UNDERS	SNAP OFF
FEN5	UNDERS	SNAP OFF
FEN6	UNDERS	SNAP OFF
FEN7	UNDERS	SNAP OFF
FEN8	UNDERS	SNAP OFF
F101	UNDERS	INTURELCESS REGISTER FIDUCIAL MARK
F102	UNDERS	INTURELCESS REGISTER FIDUCIAL MARK
F103	UNDERS	INTURELCESS REGISTER FIDUCIAL MARK
F104	UNDERS	INTURELCESS REGISTER FIDUCIAL MARK
FEN9	UNDERS	2MM DIAMETER UNPLATED HOLE

CB1
PCAS253/L1



 LINN PRODUCTS LTD FLOORS ROAD, WATERFOOT, EAGLESHAM, GLASGOW G76 0EP. TELEPHONE (0141) 307 7777 FAX (0141) 844 4262 COPYRIGHT LINN PRODUCTS © TRADE MARK			
<small>TECHNICAL INFORMATION, CHANGES, DESIGN AND OTHER DATA SUPPLIED BY LINN ARE CONFIDENTIAL AND WILL NOT BE REPRODUCED OR TRANSMITTED IN ANY FORM OR BY ANY MEANS, ELECTRONIC OR MECHANICAL, INCLUDING PHOTOCOPYING, RECORDING, OR BY ANY INFORMATION STORAGE AND RETRIEVAL SYSTEM, WITHOUT THE WRITTEN PERMISSION OF LINN PRODUCTS.</small>			
Title: ENCODER BOARD FOR CLASSE PRODUCTS			
Sheet 1 of 1	Date: 20/01/00	Rev L1R1	
Drawn DK (AFTER IW)	Checked	Passed	Part Number PCAS253/L1R1



PCB1
PCB159/L2

PCSM1
3 X 4 ASSEMBLY
BOTTOM VIEW OF FIDUCIALS

PC100	UND F998	REFERENCE FIDUCIAL
PC101	UND F999	PLACEMENT FIDUCIAL MARK
PC102	UND F997	PLACEMENT FIDUCIAL MARK
PC103	UND F997	PLACEMENT FIDUCIAL MARK
PC104	UND F997	PLACEMENT FIDUCIAL MARK
PC105	UND F997	PLACEMENT FIDUCIAL MARK
PC106	UND F997	PLACEMENT FIDUCIAL MARK
PC107	UND F997	PLACEMENT FIDUCIAL MARK
PC108	UND F997	PLACEMENT FIDUCIAL MARK
PC109	UND F997	PLACEMENT FIDUCIAL MARK
PC110	UND F997	PLACEMENT FIDUCIAL MARK
PC111	UND F997	PLACEMENT FIDUCIAL MARK
PC112	UND F997	PLACEMENT FIDUCIAL MARK

GENERAL MECHANICAL PARTS

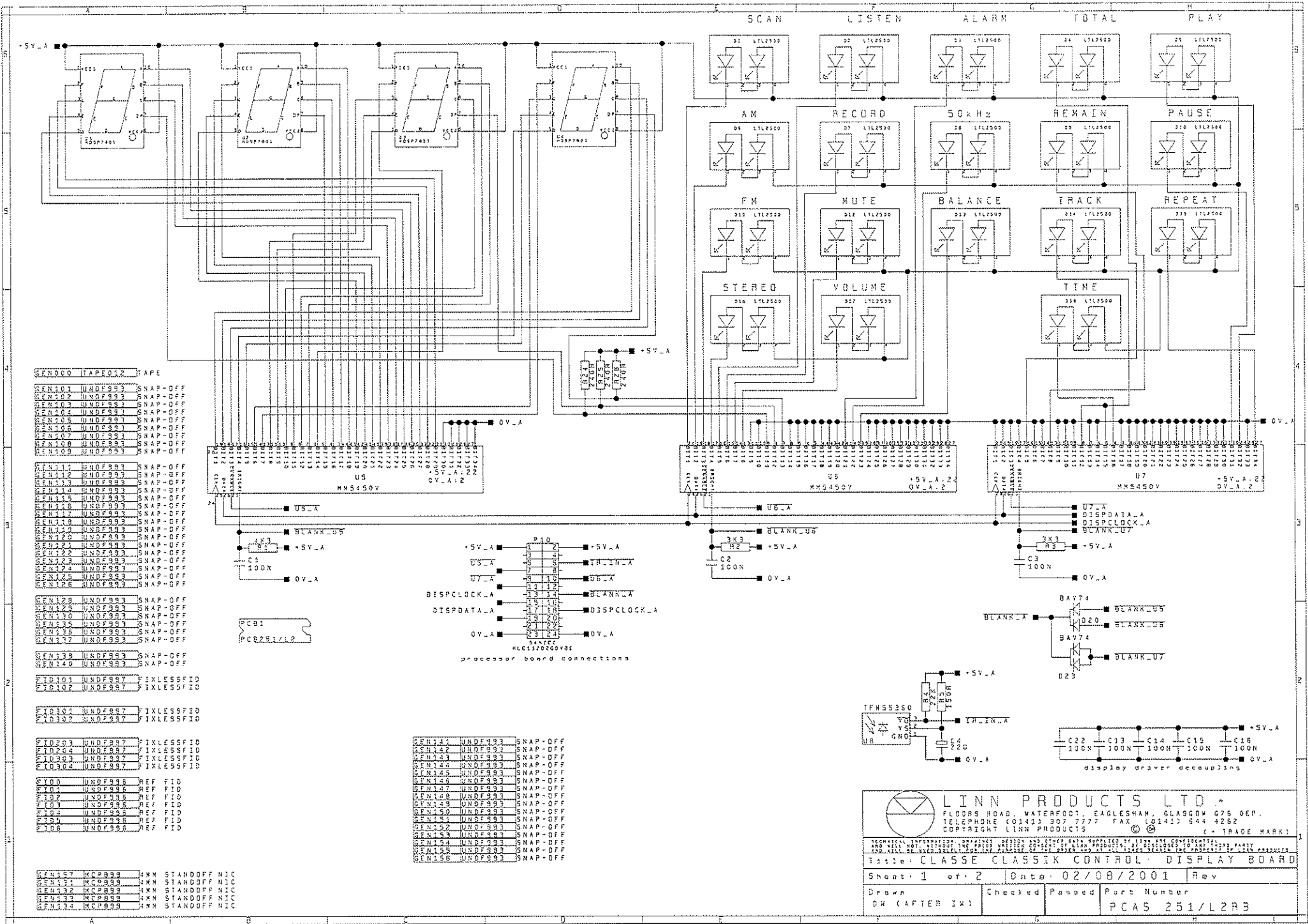
GEN1	UND F998	X3 UNPLATED HOLE
GEN2	UND F998	SNAP-OFF
GEN3	UND F997	SNAP-OFF
GEN4	UND F997	SNAP-OFF
GEN5	UND F997	SNAP-OFF
GEN6	UND F997	SNAP-OFF
GEN7	UND F997	SNAP-OFF
GEN8	UND F997	SNAP-OFF
GEN9	UND F997	SNAP-OFF
GEN10	UND F997	SNAP-OFF
GEN11	UND F997	SNAP-OFF
GEN12	UND F997	SNAP-OFF
GEN13	UND F997	SNAP-OFF
GEN14	UND F997	SNAP-OFF
GEN15	UND F997	SNAP-OFF
GEN16	UND F997	SNAP-OFF
GEN17	UND F997	SNAP-OFF
GEN18	UND F997	SNAP-OFF
GEN19	UND F997	SNAP-OFF
GEN20	UND F997	SNAP-OFF
GEN21	UND F997	SNAP-OFF
GEN22	UND F997	SNAP-OFF
GEN23	UND F997	SNAP-OFF
GEN24	UND F997	SNAP-OFF
GEN25	UND F997	SNAP-OFF
GEN26	UND F997	SNAP-OFF
GEN27	UND F997	SNAP-OFF
GEN28	UND F997	SNAP-OFF
GEN29	UND F997	SNAP-OFF
GEN30	UND F997	SNAP-OFF
GEN31	UND F997	SNAP-OFF
GEN32	UND F997	SNAP-OFF
GEN33	UND F997	SNAP-OFF
GEN34	UND F997	SNAP-OFF
GEN35	UND F997	SNAP-OFF
GEN36	UND F997	SNAP-OFF
GEN37	UND F997	SNAP-OFF
GEN38	UND F997	SNAP-OFF
GEN39	UND F997	SNAP-OFF
GEN40	UND F997	SNAP-OFF
GEN41	UND F997	SNAP-OFF
GEN42	UND F997	SNAP-OFF
GEN43	UND F997	SNAP-OFF
GEN44	UND F997	SNAP-OFF
GEN45	UND F997	SNAP-OFF
GEN46	UND F997	SNAP-OFF
GEN47	UND F997	SNAP-OFF
GEN48	UND F997	SNAP-OFF
GEN49	UND F997	SNAP-OFF
GEN50	UND F997	SNAP-OFF
GEN51	UND F997	SNAP-OFF
GEN52	UND F997	SNAP-OFF
GEN53	UND F997	SNAP-OFF
GEN54	UND F997	SNAP-OFF
GEN55	UND F997	SNAP-OFF
GEN56	UND F997	SNAP-OFF
GEN57	UND F997	SNAP-OFF
GEN58	UND F997	SNAP-OFF
GEN59	UND F997	SNAP-OFF
GEN60	UND F997	SNAP-OFF
GEN61	UND F997	SNAP-OFF
GEN62	UND F997	SNAP-OFF
GEN63	UND F997	SNAP-OFF
GEN64	UND F997	SNAP-OFF
GEN65	UND F997	SNAP-OFF
GEN66	UND F997	SNAP-OFF
GEN67	UND F997	SNAP-OFF
GEN68	UND F997	SNAP-OFF
GEN69	UND F997	SNAP-OFF
GEN70	UND F997	SNAP-OFF
GEN71	UND F997	SNAP-OFF
GEN72	UND F997	SNAP-OFF
GEN73	UND F997	SNAP-OFF
GEN74	UND F997	SNAP-OFF
GEN75	UND F997	SNAP-OFF
GEN76	UND F997	SNAP-OFF
GEN77	UND F997	SNAP-OFF
GEN78	UND F997	SNAP-OFF
GEN79	UND F997	SNAP-OFF
GEN80	UND F997	SNAP-OFF
GEN81	UND F997	SNAP-OFF
GEN82	UND F997	SNAP-OFF
GEN83	UND F997	SNAP-OFF
GEN84	UND F997	SNAP-OFF
GEN85	UND F997	SNAP-OFF
GEN86	UND F997	SNAP-OFF
GEN87	UND F997	SNAP-OFF
GEN88	UND F997	SNAP-OFF
GEN89	UND F997	SNAP-OFF
GEN90	UND F997	SNAP-OFF
GEN91	UND F997	SNAP-OFF
GEN92	UND F997	SNAP-OFF
GEN93	UND F997	SNAP-OFF
GEN94	UND F997	SNAP-OFF
GEN95	UND F997	SNAP-OFF
GEN96	UND F997	SNAP-OFF
GEN97	UND F997	SNAP-OFF
GEN98	UND F997	SNAP-OFF
GEN99	UND F997	SNAP-OFF
GEN100	UND F997	SNAP-OFF

LINN PRODUCTS LTD.
 FLOORS ROAD, WATERFOOT, EAGLESHAM, GLASGOW G75 6EP.
 TELEPHONE (0143) 307 7777 FAX (0141) 644 4252
 COPYRIGHT LINN PRODUCTS () TRADE MARK

CLASSIK TUNER MODULE

Sheet 1 of 1 Date: 09/03/00 Rev L2R1

Drawn: I. WILSON Checked: Passed Part Number: PCAS169/L2R1



GEN000 TAPE01,2 TAPE

- GEN101 UNDF993 SNAP-OFF
- GEN102 UNDF993 SNAP-OFF
- GEN103 UNDF993 SNAP-OFF
- GEN104 UNDF993 SNAP-OFF
- GEN105 UNDF993 SNAP-OFF
- GEN106 UNDF993 SNAP-OFF
- GEN107 UNDF993 SNAP-OFF
- GEN108 UNDF993 SNAP-OFF
- GEN109 UNDF993 SNAP-OFF
- GEN110 UNDF993 SNAP-OFF
- GEN111 UNDF993 SNAP-OFF
- GEN112 UNDF993 SNAP-OFF
- GEN113 UNDF993 SNAP-OFF
- GEN114 UNDF993 SNAP-OFF
- GEN115 UNDF993 SNAP-OFF
- GEN116 UNDF993 SNAP-OFF
- GEN117 UNDF993 SNAP-OFF
- GEN118 UNDF993 SNAP-OFF
- GEN119 UNDF993 SNAP-OFF
- GEN120 UNDF993 SNAP-OFF
- GEN121 UNDF993 SNAP-OFF
- GEN122 UNDF993 SNAP-OFF
- GEN123 UNDF993 SNAP-OFF
- GEN124 UNDF993 SNAP-OFF
- GEN125 UNDF993 SNAP-OFF
- GEN126 UNDF993 SNAP-OFF

- GEN128 UNDF993 SNAP-OFF
- GEN129 UNDF993 SNAP-OFF
- GEN130 UNDF993 SNAP-OFF
- GEN131 UNDF993 SNAP-OFF
- GEN132 UNDF993 SNAP-OFF
- GEN133 UNDF993 SNAP-OFF
- GEN134 UNDF993 SNAP-OFF
- GEN135 UNDF993 SNAP-OFF
- GEN136 UNDF993 SNAP-OFF
- GEN137 UNDF993 SNAP-OFF

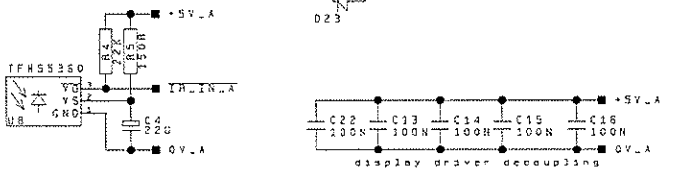
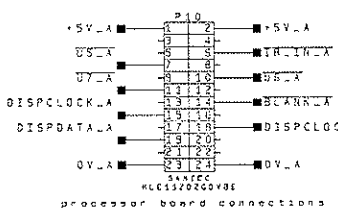
- GEN139 UNDF993 SNAP-OFF
- GEN140 UNDF993 SNAP-OFF
- FD101 UNDF997 IXLES5FID
- FD102 UNDF997 IXLES5FID

- FD301 UNDF997 IXLES5FID
- FD302 UNDF997 IXLES5FID
- FD203 UNDF997 IXLES5FID
- FD204 UNDF997 IXLES5FID
- FD303 UNDF997 IXLES5FID
- FD304 UNDF997 IXLES5FID

- F100 UNDF996 REF FID
- F101 UNDF996 REF FID
- F102 UNDF996 REF FID
- F103 UNDF996 REF FID
- F104 UNDF996 REF FID
- F105 UNDF996 REF FID
- F106 UNDF996 REF FID

- GEN157 MCB998 XNM STANDOFF NIC
- GEN158 MCB998 XNM STANDOFF NIC
- GEN159 MCB998 XNM STANDOFF NIC
- GEN160 MCB998 XNM STANDOFF NIC
- GEN161 MCB998 XNM STANDOFF NIC
- GEN162 MCB998 XNM STANDOFF NIC
- GEN163 MCB998 XNM STANDOFF NIC
- GEN164 MCB998 XNM STANDOFF NIC

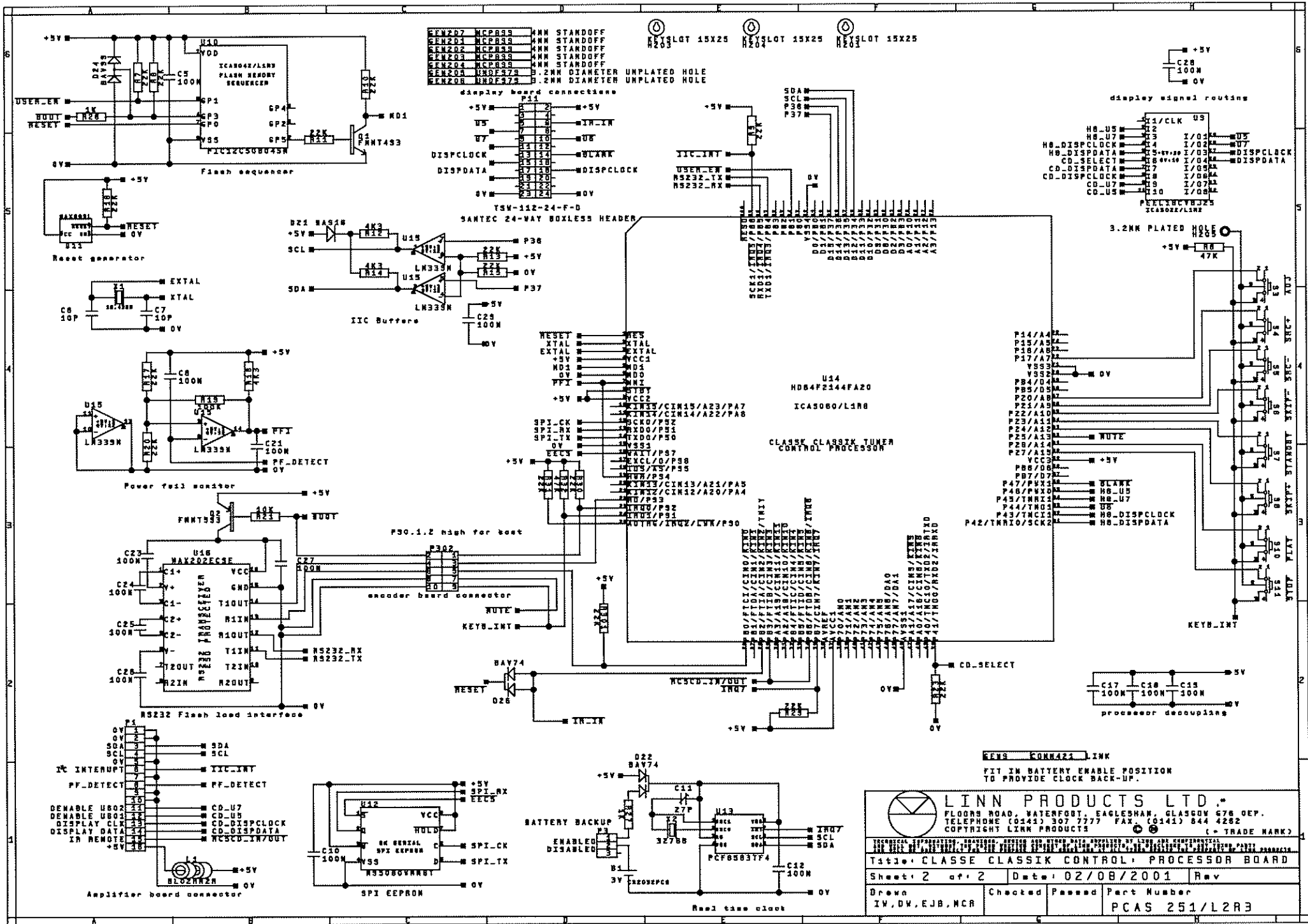
- GEN141 UNDF993 SNAP-OFF
- GEN142 UNDF993 SNAP-OFF
- GEN143 UNDF993 SNAP-OFF
- GEN144 UNDF993 SNAP-OFF
- GEN145 UNDF993 SNAP-OFF
- GEN146 UNDF993 SNAP-OFF
- GEN147 UNDF993 SNAP-OFF
- GEN148 UNDF993 SNAP-OFF
- GEN149 UNDF993 SNAP-OFF
- GEN150 UNDF993 SNAP-OFF
- GEN151 UNDF993 SNAP-OFF
- GEN152 UNDF993 SNAP-OFF
- GEN153 UNDF993 SNAP-OFF
- GEN154 UNDF993 SNAP-OFF
- GEN155 UNDF993 SNAP-OFF
- GEN156 UNDF993 SNAP-OFF



LINN PRODUCTS LTD.
 FLOORS ROAD, WATERFOOT, EAGLESHAM, GLASGOW G75 0EP.
 TELEPHONE (0141) 307 7777 FAX (0141) 544 4282
 COPYRIGHT LINN PRODUCTS © (TRADE MARK)

TECHNICAL INFORMATION: FOR PARTS AND REPAIRS, PLEASE CONTACT OUR SALES DEPARTMENT AT THE ABOVE ADDRESS OR BY TELEPHONE OR FAX.
 OUR MAIL ORDER DEPARTMENT IS OPEN MONDAY TO FRIDAY 9.00 AM TO 5.00 PM. PLEASE ALLOW 2-3 WEEKS FOR DELIVERY OF PARTS.

Title: CLASSE CLASSIC CONTROL DISPLAY BOARD
 Sheet: 1 of 2 Date: 02/08/2001 Rev
 Drawn: DR (AFTER IW) Checked: Passed Part Number: PCAS 251/L2R3



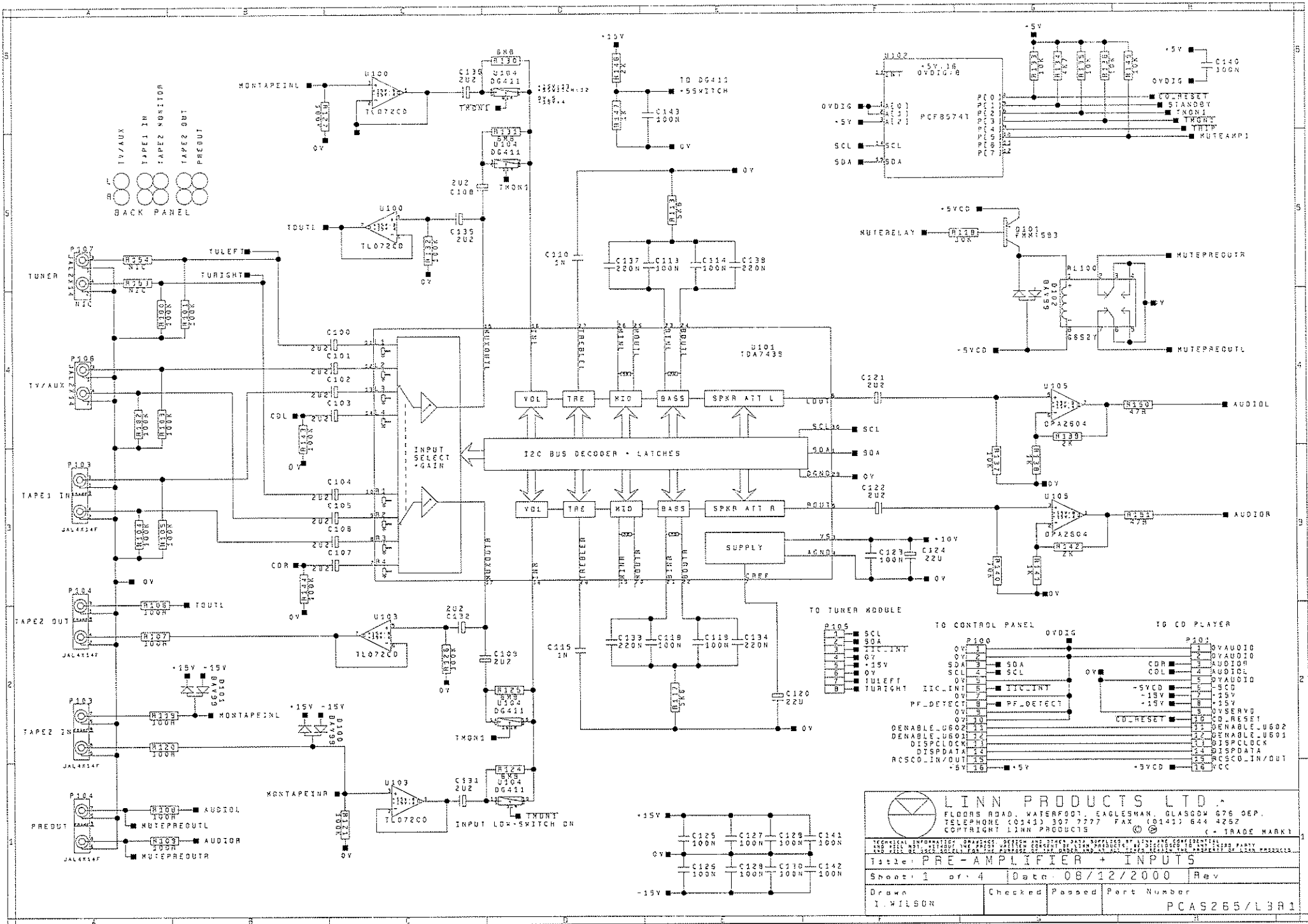
- GENZD7 MCP853 4MM STANDOFF
- GENZD1 MCP853 4MM STANDOFF
- GENZD2 MCP853 4MM STANDOFF
- GENZD3 MCP853 4MM STANDOFF
- GENZD4 MCP853 4MM STANDOFF
- GENZD5 MDPF578 3.2MM DIAMETER UNPLATED HOLE
- GENZD6 MDPF578 3.2MM DIAMETER UNPLATED HOLE

- KEY1 LOT 15X25
- KEY2 LOT 15X25
- KEY3 LOT 15X25

LINN PRODUCTS LTD.
 FLOORS ROAD, WATERFOOT, EAGLESHAM, GLASGOW G76 0EP.
 TELEPHONE (0141) 307 7777 FAX (0141) 844 4282
 COPYRIGHT LINN PRODUCTS (C) TRADE MARK

Title: CLASSIC CLASSIK CONTROL PROCESSOR BOARD

Sheet: 2 of 2	Date: 02/08/2001	Rev	
Drawn IV, DW, EJB, MCR	Checked P	Passed P	Part Number PCAS 251/L2R3



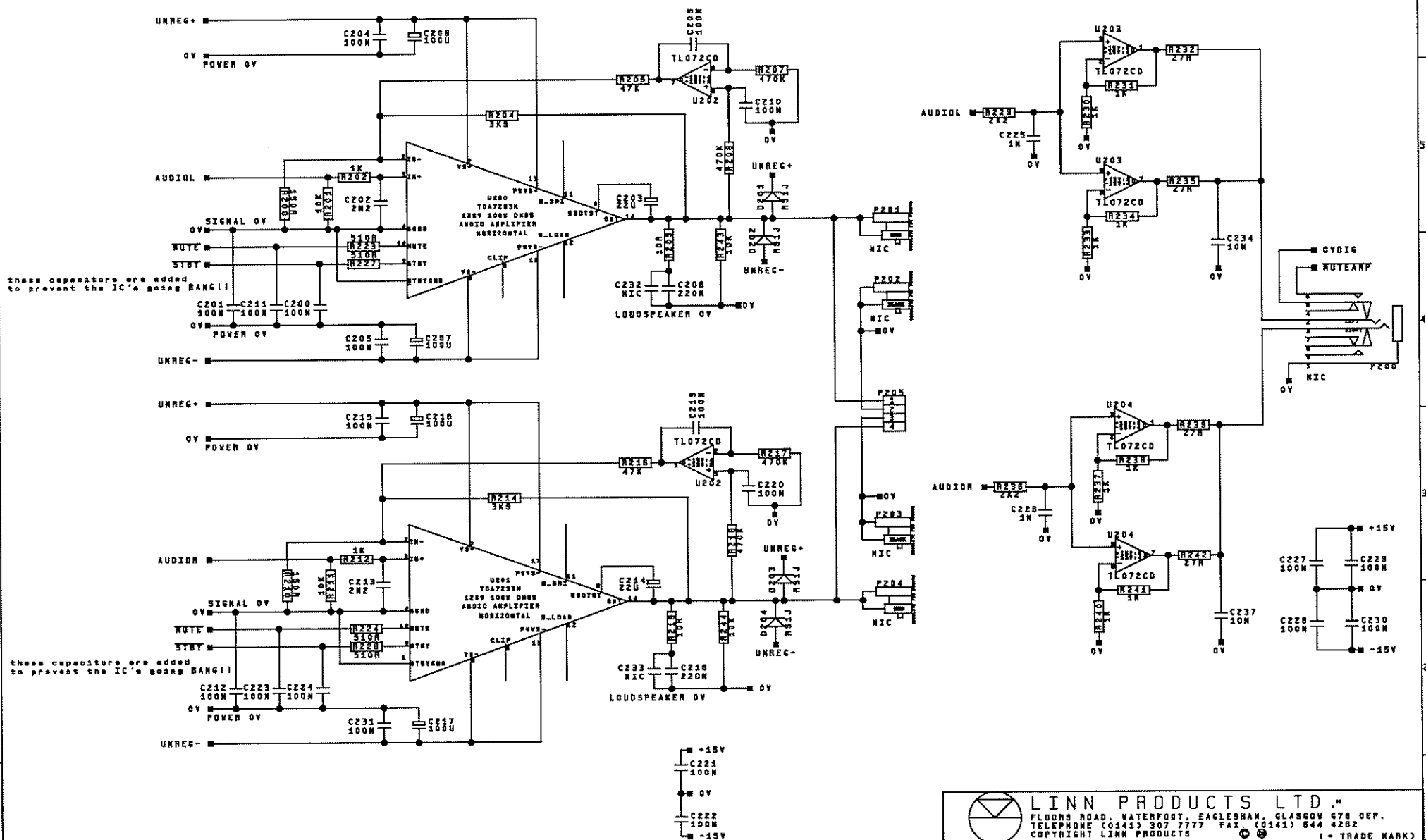
LINN PRODUCTS LTD.
 FLOORS ROAD, WATERFOOT, EAGLESHAN, GLASGOW G76 0EP.
 TELEPHONE (0141) 307 7277 FAX (0141) 644 4252
 COPYRIGHT LINN PRODUCTS © TRADE MARK

Technical Information: Components are shown in their correct positions and values. All components are standard unless otherwise stated. All dimensions are in millimeters unless otherwise stated. All components are to be fitted unless otherwise stated. All components are to be fitted unless otherwise stated.

Title: PRE-AMPLIFIER + INPUTS


Sheet: 1 of 4 Date: 08/12/2000 Rev

Drawn I. WILSON	Checked Passed	Part Number PCAS265/L3R1
--------------------	-------------------	-----------------------------

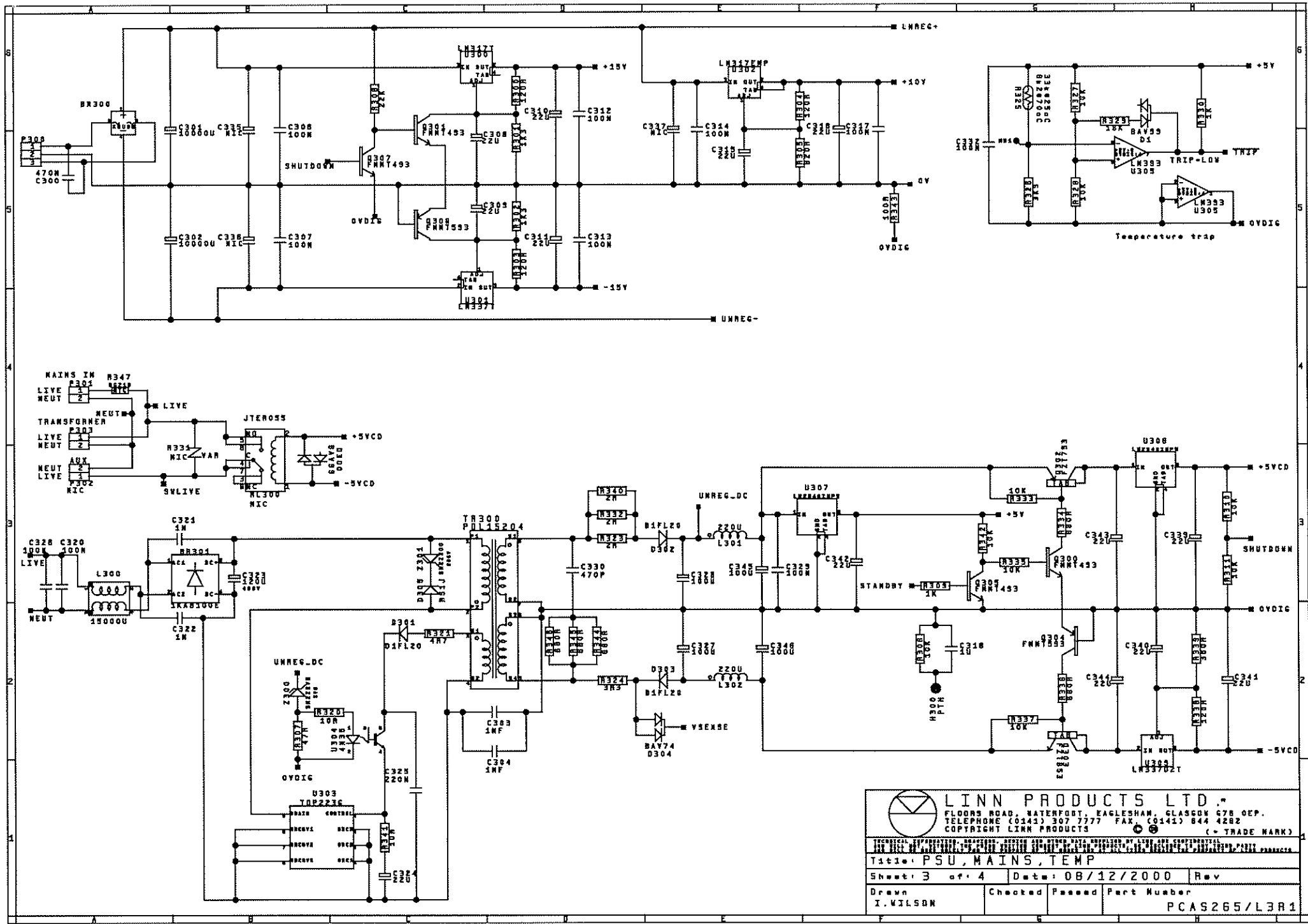



these capacitors are added to prevent the IC's going BANG!!

these capacitors are added to prevent the IC's going BANG!!

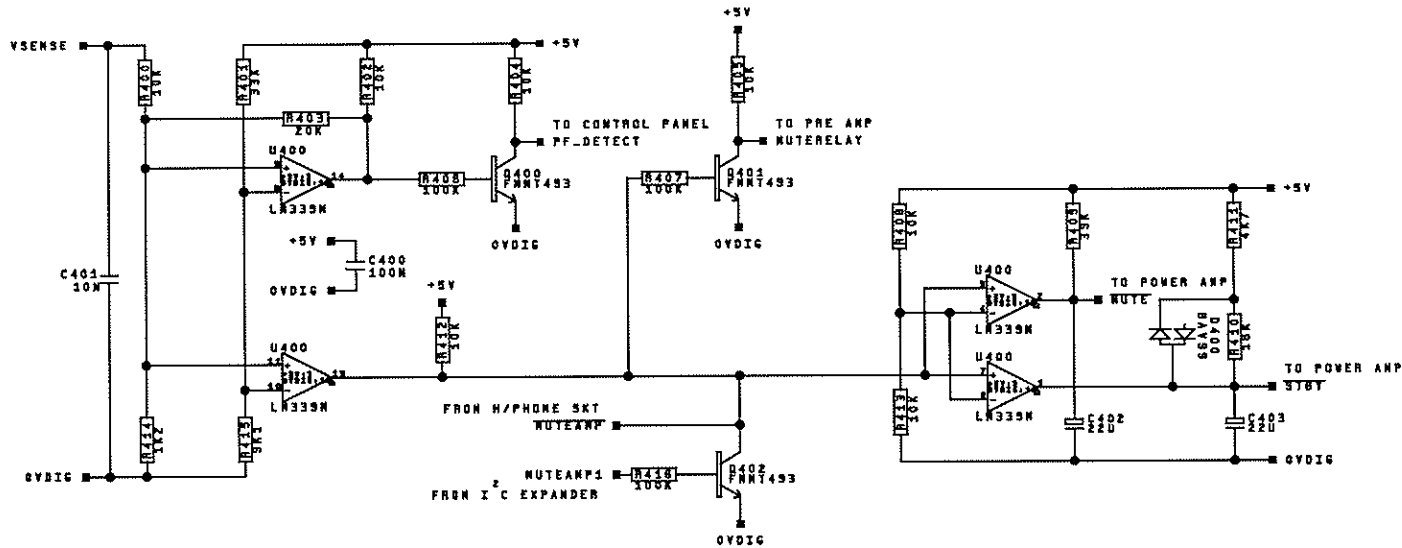

LINN PRODUCTS LTD.
 FLOORS ROAD, WATERFORD, EAGLESHAM, GLASGOW G78 0EP.
 TELEPHONE (0141) 307 7777 FAX (0141) 644 4282
 COPYRIGHT LINN PRODUCTS (= TRADE MARK)

Title: POWER AMP & H/PHONE AMP
 Sheet: 2 of 4 Date: 08/12/2000 Rev
 Drawn I. WILSON Checked Passed Part Number PCAS265/L3R1




LINN PRODUCTS LTD.
 FLOORS ROAD, WATERFOOT, EAGLESHAM, GLASGOW G78 0EP.
 TELEPHONE (0141) 307 7777 FAX (0141) 844 4282
 COPYRIGHT LINN PRODUCTS () TRADE MARK

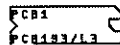
Title: PSU, MAINS, TEMP		
Sheet: 3 of 4	Date: 08/12/2000	Rev
Drawn I. WILSON	Checked P. SELL	Part Number PCAS265/L3R1



REN2	UNDF593	SNAP-OFF
REN3	UNDF593	SNAP-OFF
REN4	UNDF593	SNAP-OFF
REN5	UNDF593	SNAP-OFF
REN6	UNDF593	SNAP-OFF
REN7	UNDF593	SNAP-OFF
REN8	UNDF593	SNAP-OFF
REN9	UNDF593	SNAP-OFF
REN10	UNDF593	SNAP-OFF
REN11	UNDF593	SNAP-OFF
REN12	UNDF593	SNAP-OFF
REN13	UNDF593	SNAP-OFF
REN14	UNDF593	SNAP-OFF
REN15	MCP223	COUPLING BLOCK

L1	UNDF598	M3 UNPLATED HOLE
L2	UNDF598	M3 UNPLATED HOLE

REN23	MCH747	SCREW
REN24	MCH747	SCREW
REN25	MCH080	BOLT
REN38	MCH080	BOLT



REN35	MCP103	CLAMPING BLOCK
REN18	MCP103	CLAMPING BLOCK
REN37	MCP188/1	DOUBLE SIDED TAPE FIT UNDER L/S SOCKETS

F100	UNDF598	REFERENCE FIDUCIAL
F101	UNDF598	PLACEMENT FIDUCIAL MARK
F102	UNDF598	PLACEMENT FIDUCIAL MARK
F103	UNDF598	PLACEMENT FIDUCIAL MARK

REN33	MCP237	RICHCO PSTE 2-01 MOUNTING HOLE
REN41	MCP237	RICHCO PSTE 2-01 MOUNTING HOLE
REN34	MCP237	RICHCO PSTE 2-01 MOUNTING HOLE

F104	UNDF597	FIXTURELESS TESTER FIDUCIAL MARK
F105	UNDF597	FIXTURELESS TESTER FIDUCIAL MARK
F106	UNDF597	FIXTURELESS TESTER FIDUCIAL MARK
F107	UNDF597	FIXTURELESS TESTER FIDUCIAL MARK
F108	UNDF597	FIXTURELESS TESTER FIDUCIAL MARK
F109	UNDF597	FIXTURELESS TESTER FIDUCIAL MARK
F110	UNDF597	FIXTURELESS TESTER FIDUCIAL MARK
F111	UNDF597	FIXTURELESS TESTER FIDUCIAL MARK

LINN PRODUCTS LTD.
 FLOORS ROAD, WATERFOOT, EAGLESHAM, GLASGOW G78 0EP.
 TELEPHONE (0141) 307 7777 FAX (0141) 844 4282
 COPYRIGHT LINN PRODUCTS (C - TRADE MARK)

TECHNICAL INFORMATION: UNPLATED HOLES AND SOCKET PITS APPROVED BY L381 AND COMPLIANT WITH BS EN 60913-2:1997 AND BS EN 60913-1:1997. UNPLATED HOLES AND SOCKET PITS APPROVED BY L381 AND COMPLIANT WITH BS EN 60913-2:1997 AND BS EN 60913-1:1997.

Title: MUTE CONTROL & MISCELLANEOUS

Sheet: 4 of 4 Date: 08/12/2000 Rev

Drawn: I. WILSON Checked: Passed Part Number: PCAS265/L3R1