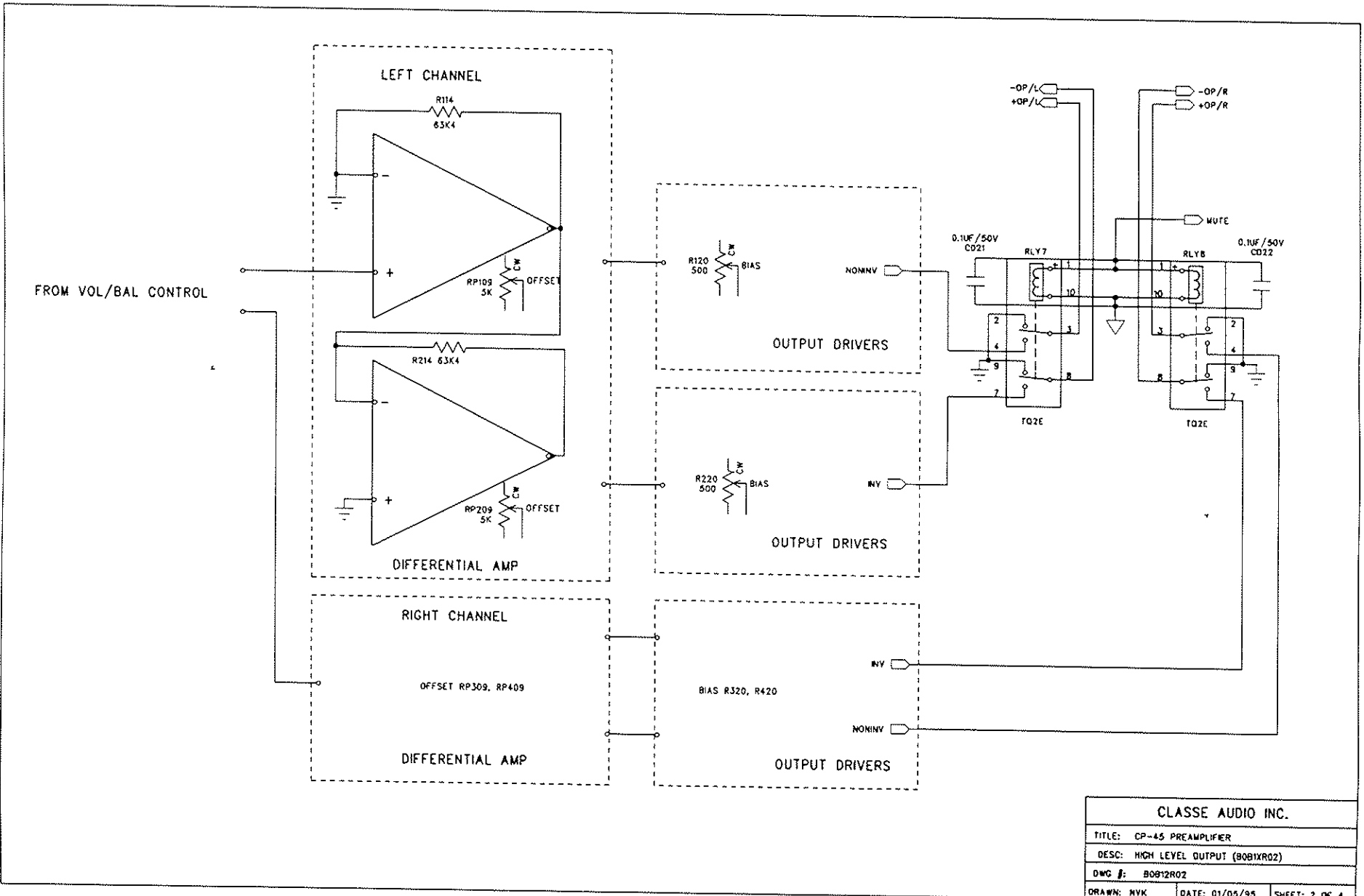
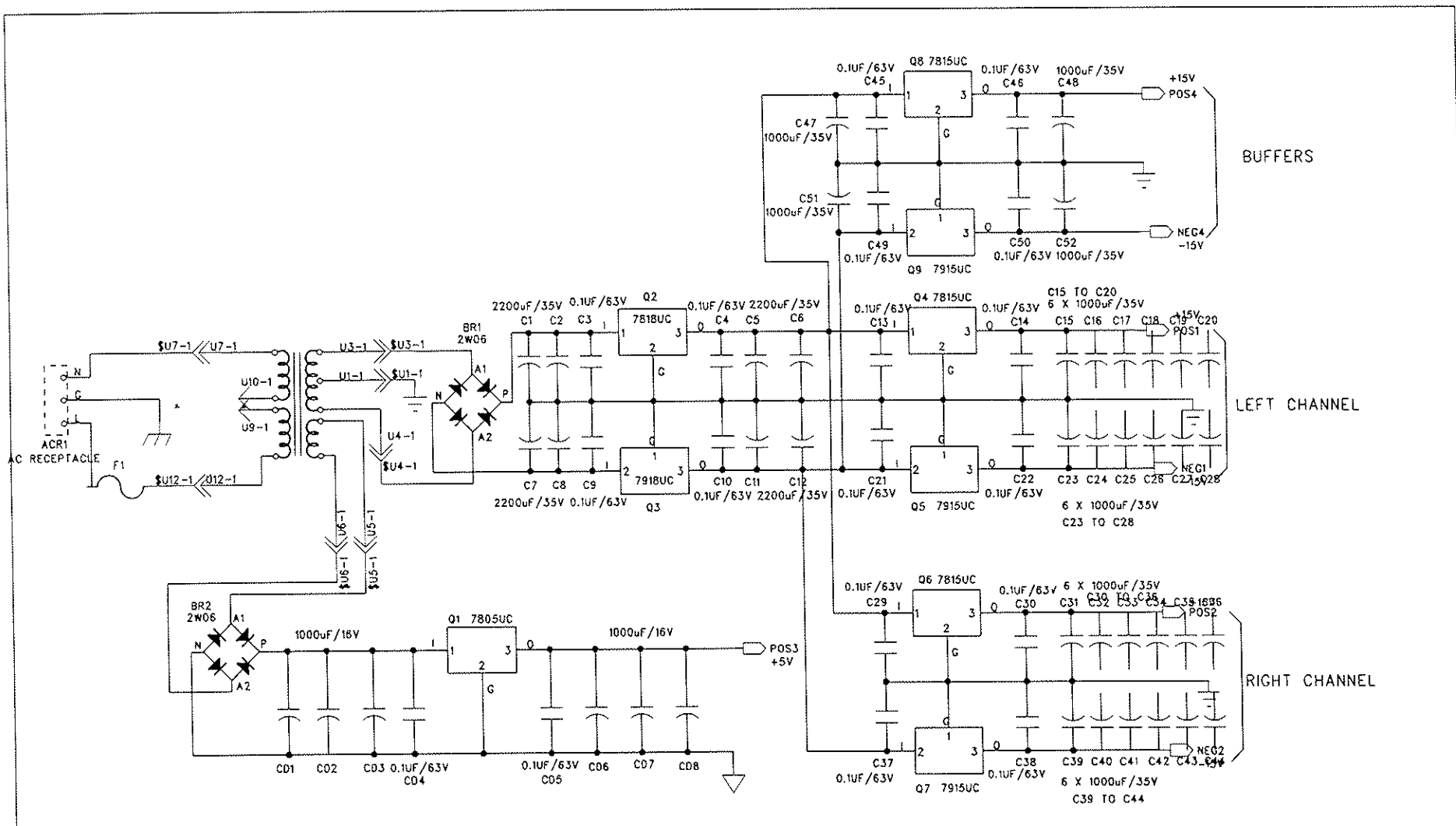


<b>CLASSE AUDIO INC.</b>		
TITLE: CP-45 PREAMPLIFIER		
DESC: INPUT SECTION (80B1XR02)		
DWG #: 80B1R02		
DRAWN: NVK	DATE: 01/05/95	SHEET: 1 OF 4



CLASSE AUDIO INC.		
TITLE: CP-45 PREAMPLIFIER		
DESC: HIGH LEVEL OUTPUT (9081XR02)		
DWG #: 90812R02		
DRAWN: NYK	DATE: 01/05/95	SHEET: 2 OF 4

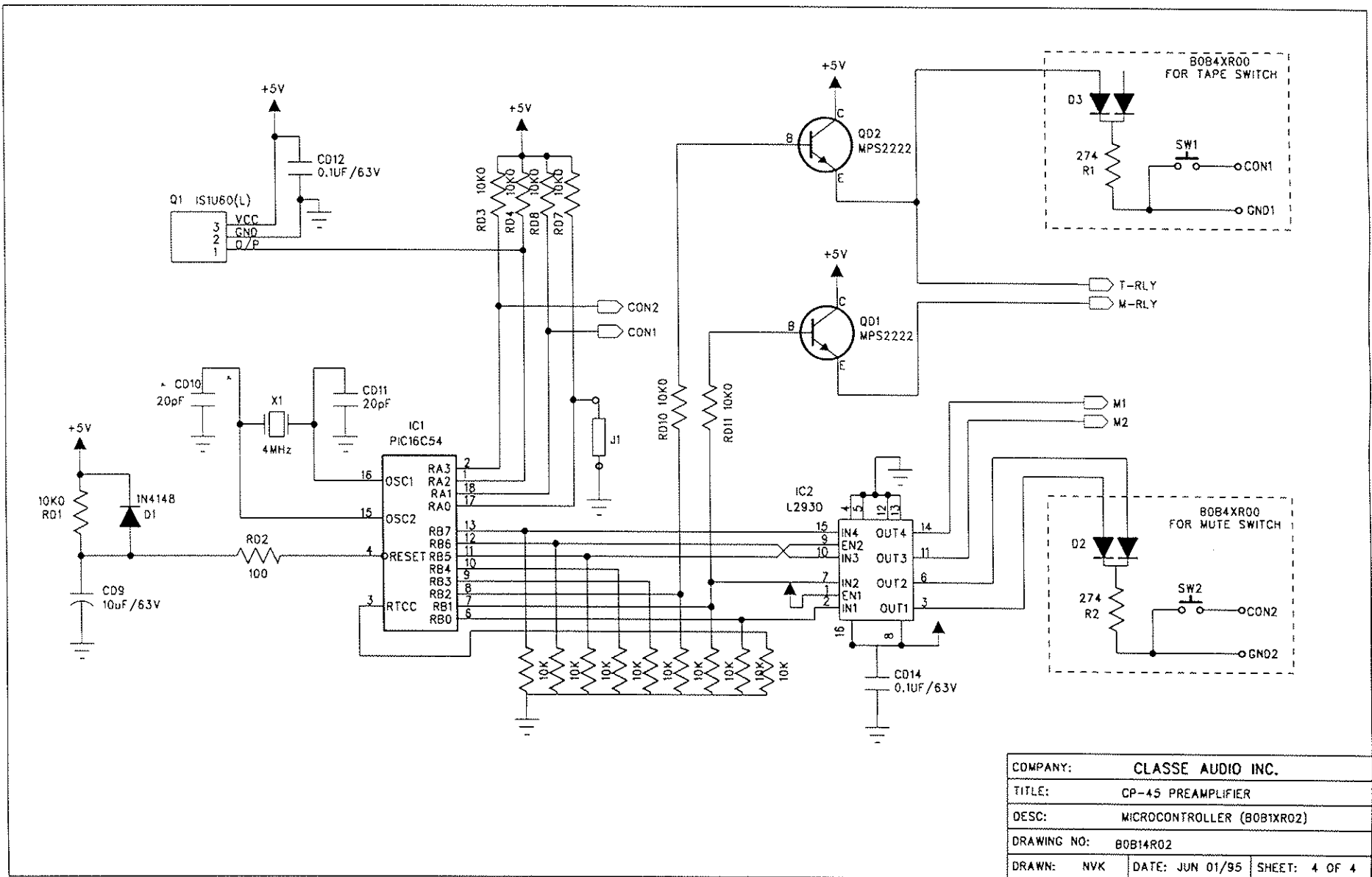


BUFFERS

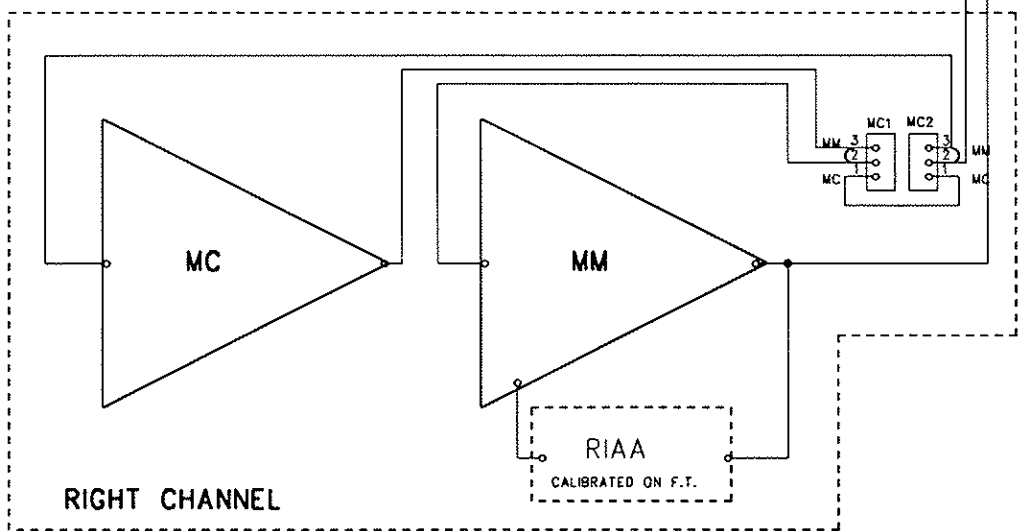
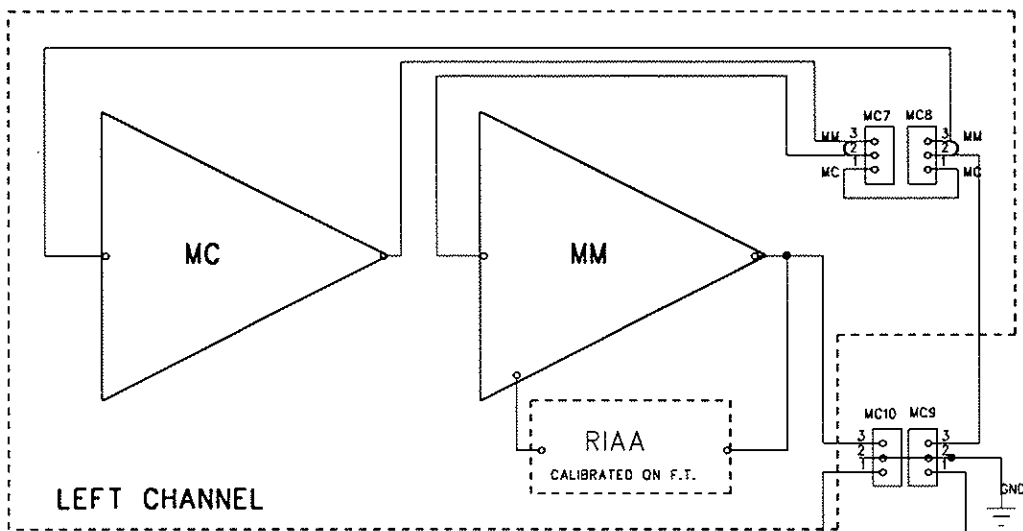
LEFT CHANNEL

RIGHT CHANNEL

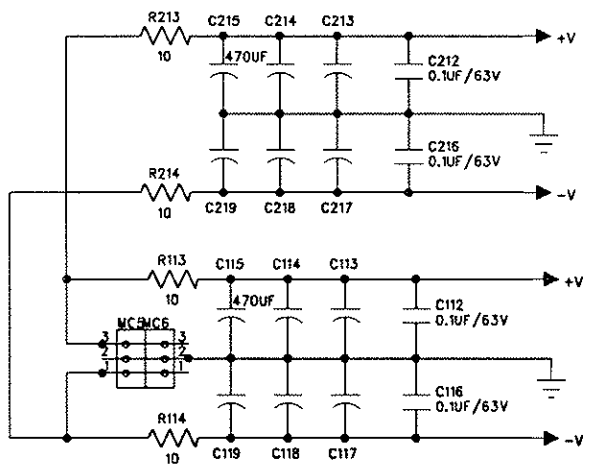
COMPANY:	CLASSE AUDIO INC.		
TITLE:	CP-45 PREAMPLIFIER		
DESC:	POWER SUPPLY (BOB1XR02)		
DRAWING NO:	BOB13R02		
DRAWN:	NVK	DATE:	JUN 01/95
		SHEET:	3 OF 4



COMPANY:	CLASSE AUDIO INC.		
TITLE:	CP-45 PREAMPLIFIER		
DESC:	MICROCONTROLLER (BOB1XR02)		
DRAWING NO:	BOB14R02		
DRAWN:	NVK	DATE:	JUN 01/95 SHEET: 4 OF 4



MC GAIN	R104,R204 VALUE
13.69db	RN5501961
18.58db	RN5503831
23.91db	RN5507501
28.25db	RN55D1272



COMPANY:	CLASSE AUDIO INC.		
TITLE:	CP-45 PREAMPLIFIER		
DESC:	PHONO (MC & MM)		
DRAWING NO:	BOB3XR01		
DRAWN:	NVK	DATE:	JUN 01/95 SHEET: 5 OF 5

## **VOLTAGE CHANGE PROCEDURE FOR CP-45**

- Disconnect unit from the AC line and the system.
- Remove the top cover
- Locate the power supply section: Varistor RV1 and jumpers J3, J4 and J5
- For 100-120VAC, jumpers have to be installed in J3 and J5, jumper J4 has to be removed.
- Install varistor with the proper value for 100-120VAC operation.
- Fuse remains the same.
- For 220-240VAC, jumper J4 has to be installed, jumpers J3 and J5 have to be removed.
- Install varistor with the proper value for 220-240VAC operation.
- Fuse remains the same.
- Test unit for proper operation and re-install top cover.