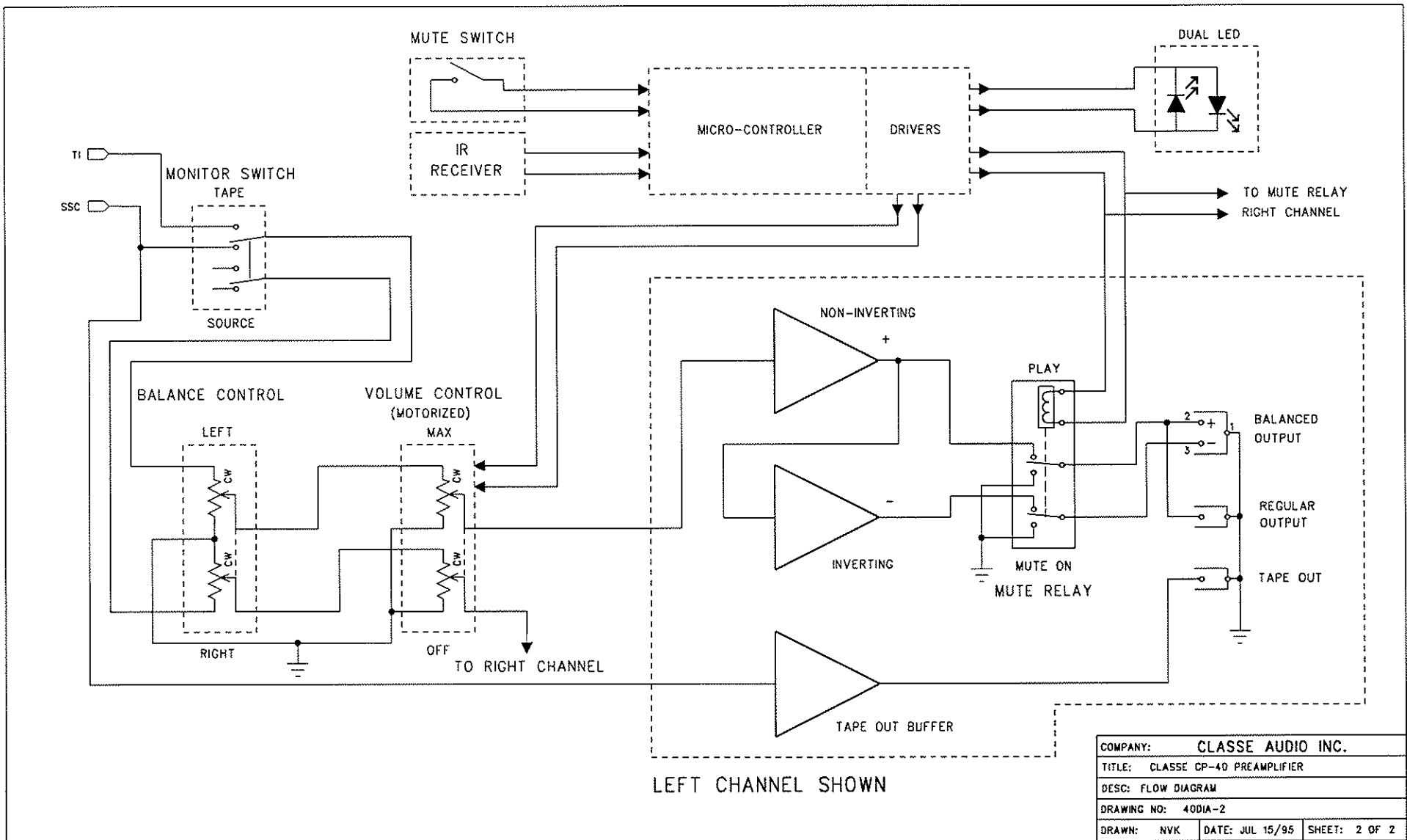
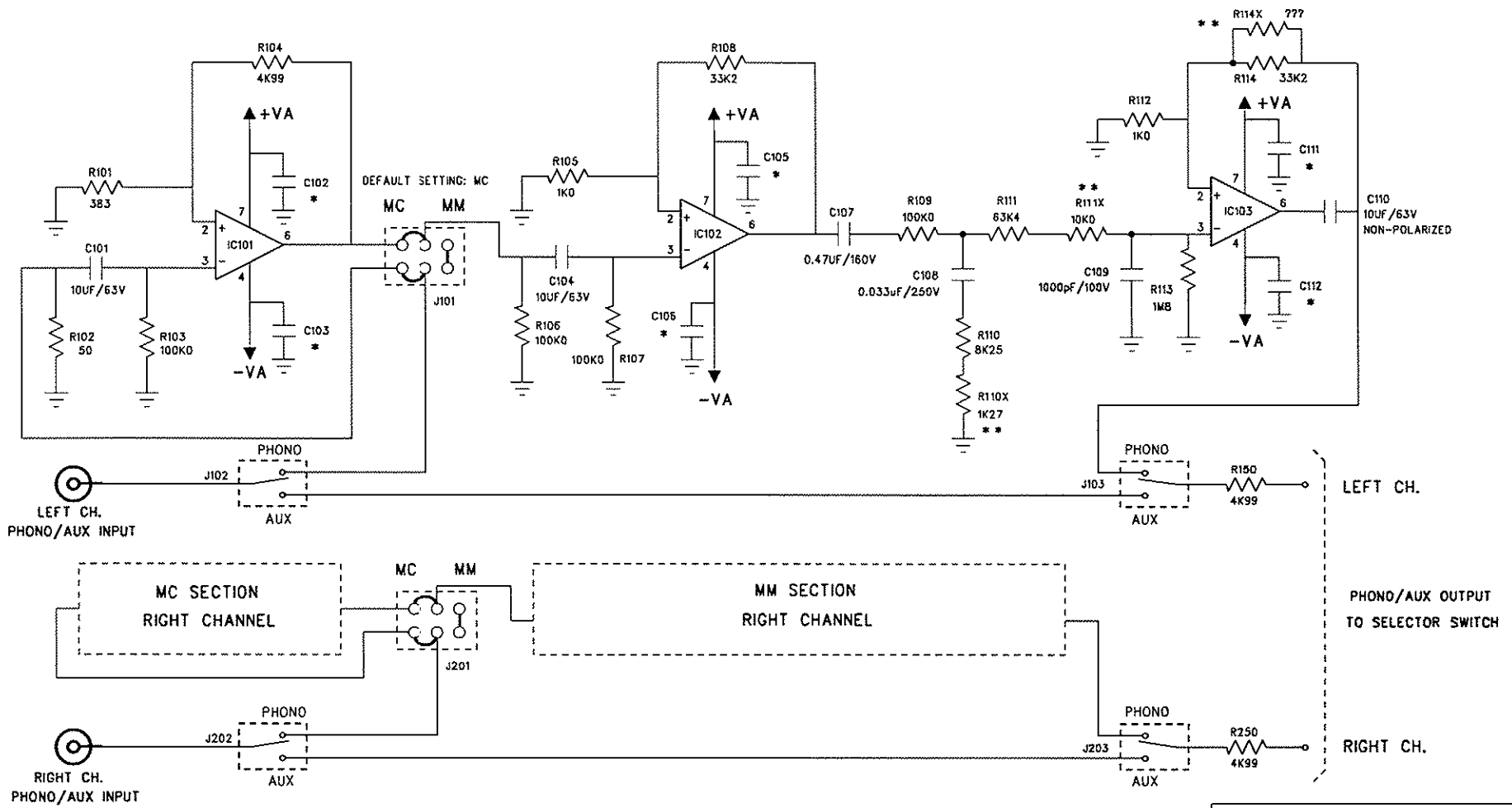


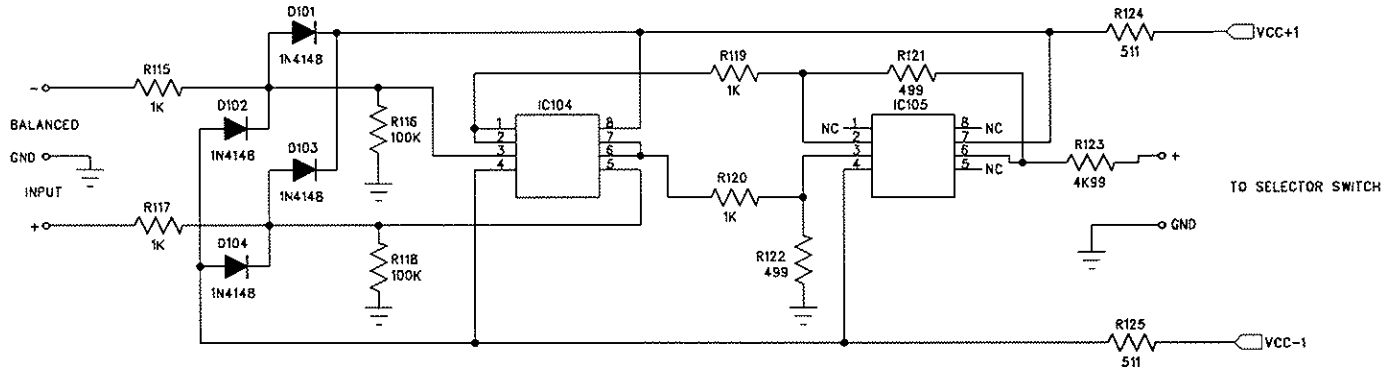
COMPANY:	CLASSE AUDIO INC.		
TITLE:	CLASSE CP-40 PREAMPLIFIER		
DESC:	FLOW DIAGRAM		
DRAWING NO:	40DIA-1		
DRAWN:	NVK	DATE:	JUL 15/95 SHEET: 1 OF 2



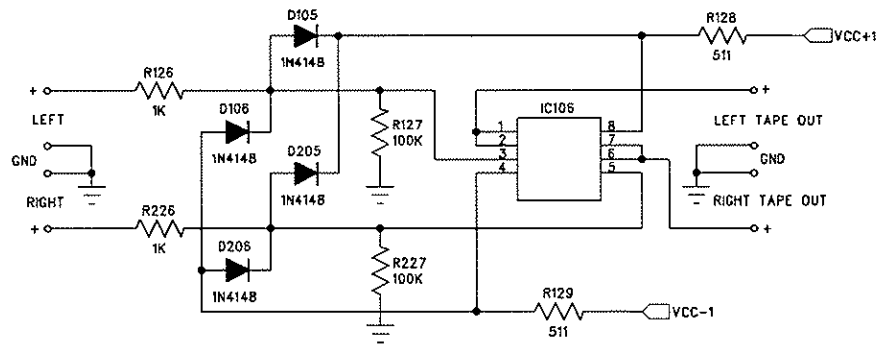


NOTES: * = DECOUPLING CAP (0.1uF/63V)
 *** FOR CALIBRATION
 CORRESPONDING PART NAMES IN RIGHT CHANNEL: R2XX, C2XX, D2XX etc..

COMPANY: CLASSE AUDIO INC.	
TITLE: CLASSE CP-40 PREAMPLIFIER	
DESC: MC/MM CIRCUITRY	
DRAWING NO: 40PHG	
DRAWN: NVK	DATE: JUL 15/95 SHEET: 1 OF 5



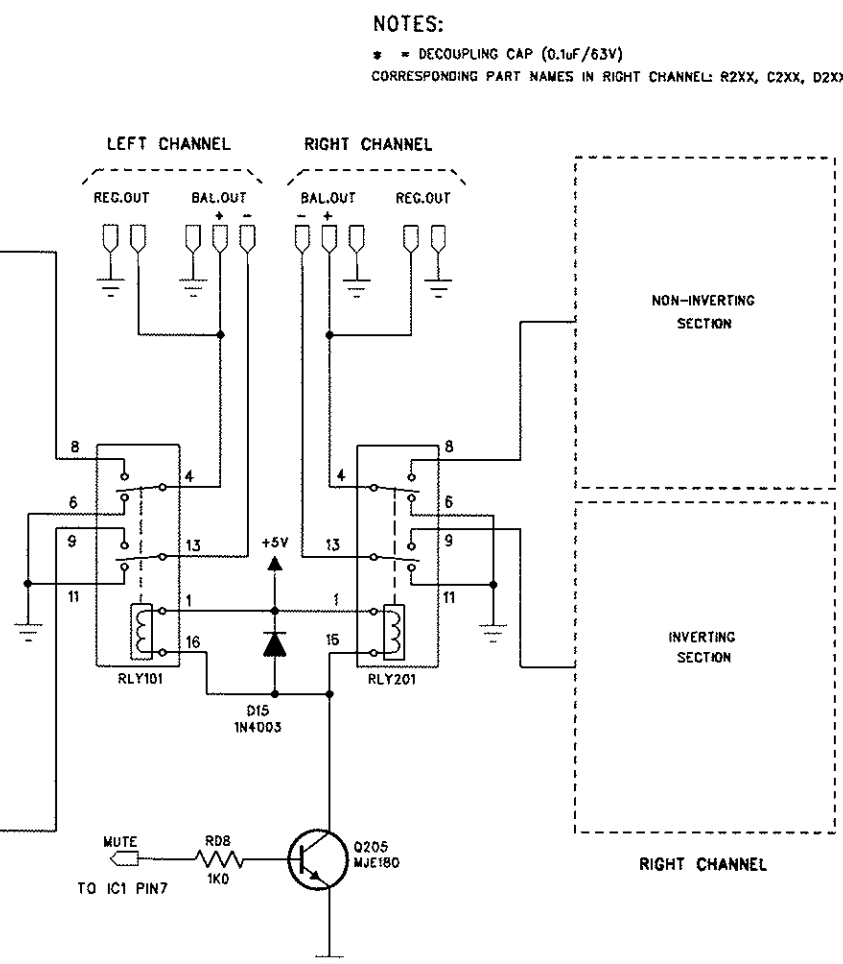
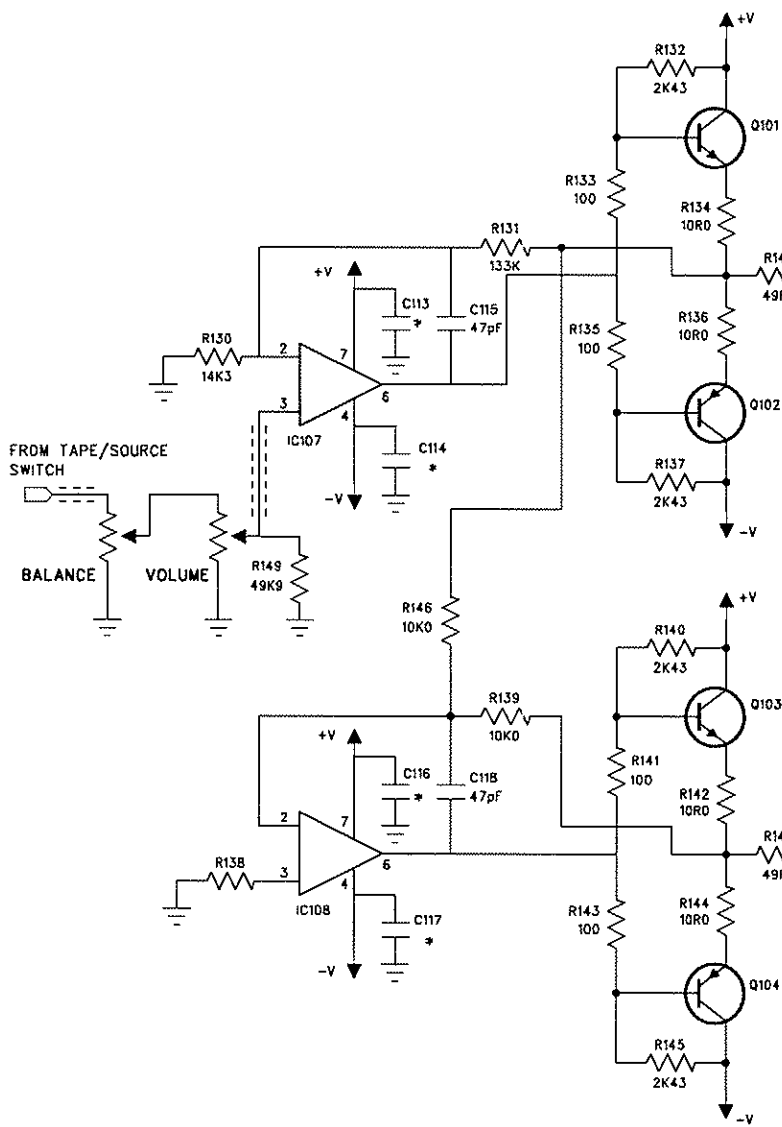
BALANCED INPUT (LEFT CH.)



TAPE OUT BUFFER (BOTH CH.)

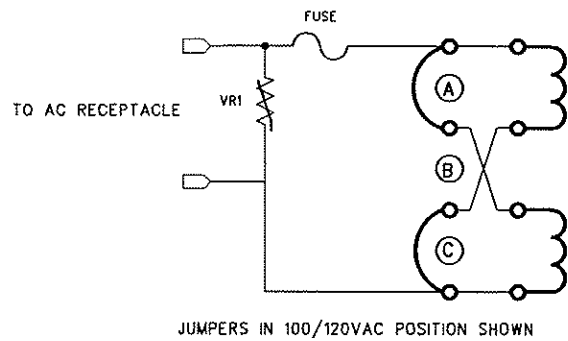
NOTES:
CORRESPONDING PART NAMES IN RIGHT CHANNEL: R2XX, C2XX, D2XX etc..

COMPANY: CLASSE AUDIO INC.		
TITLE: CLASSE CP-40 PREAMPLIFIER		
DESC: BALANCED INPUT / TAPE OUT BUFFER		
DRAWING NO: 40BUF		
DRAWN: NVK	DATE: JUL15/95	SHEET: 2 OF 5



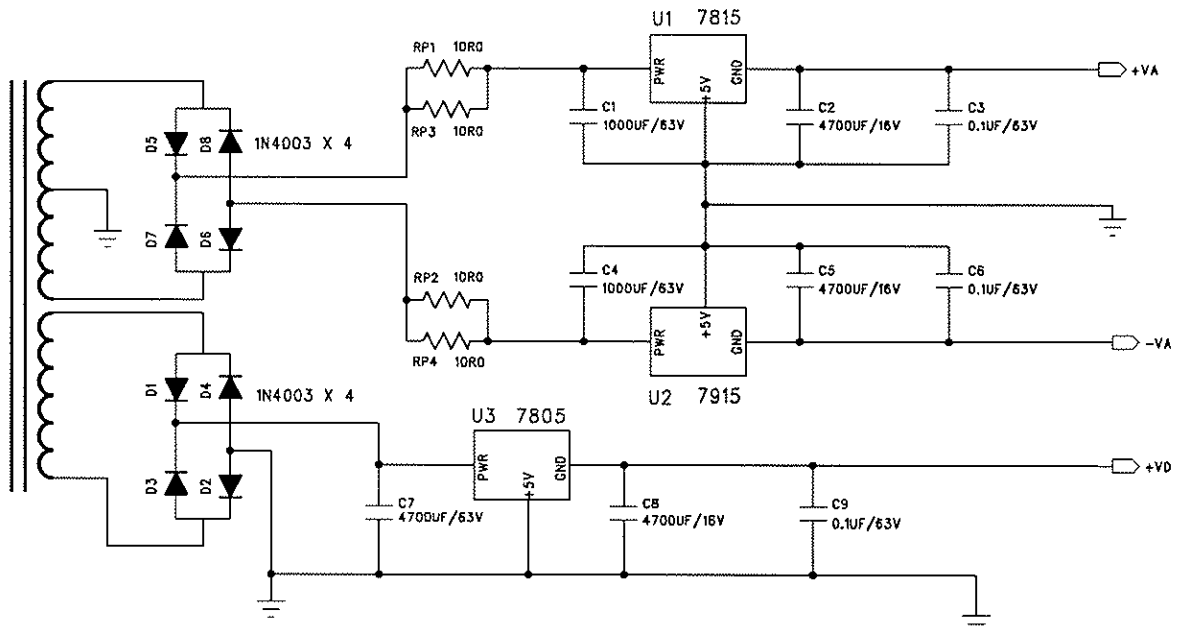
NOTES:
 * = DECOUPLING CAP (0.1uF/63V)
 CORRESPONDING PART NAMES IN RIGHT CHANNEL: R2XX, C2XX, D2XX etc..

COMPANY:	CLASSE AUDIO INC.
TITLE:	CLASSE CP-40 PREAMPLIFIER
DESC:	HIGH LEVEL SECTIONS
DRAWING NO:	40HIL
DRAWN:	NVK
DATE:	JUL 15/95
SHEET:	3 OF 5

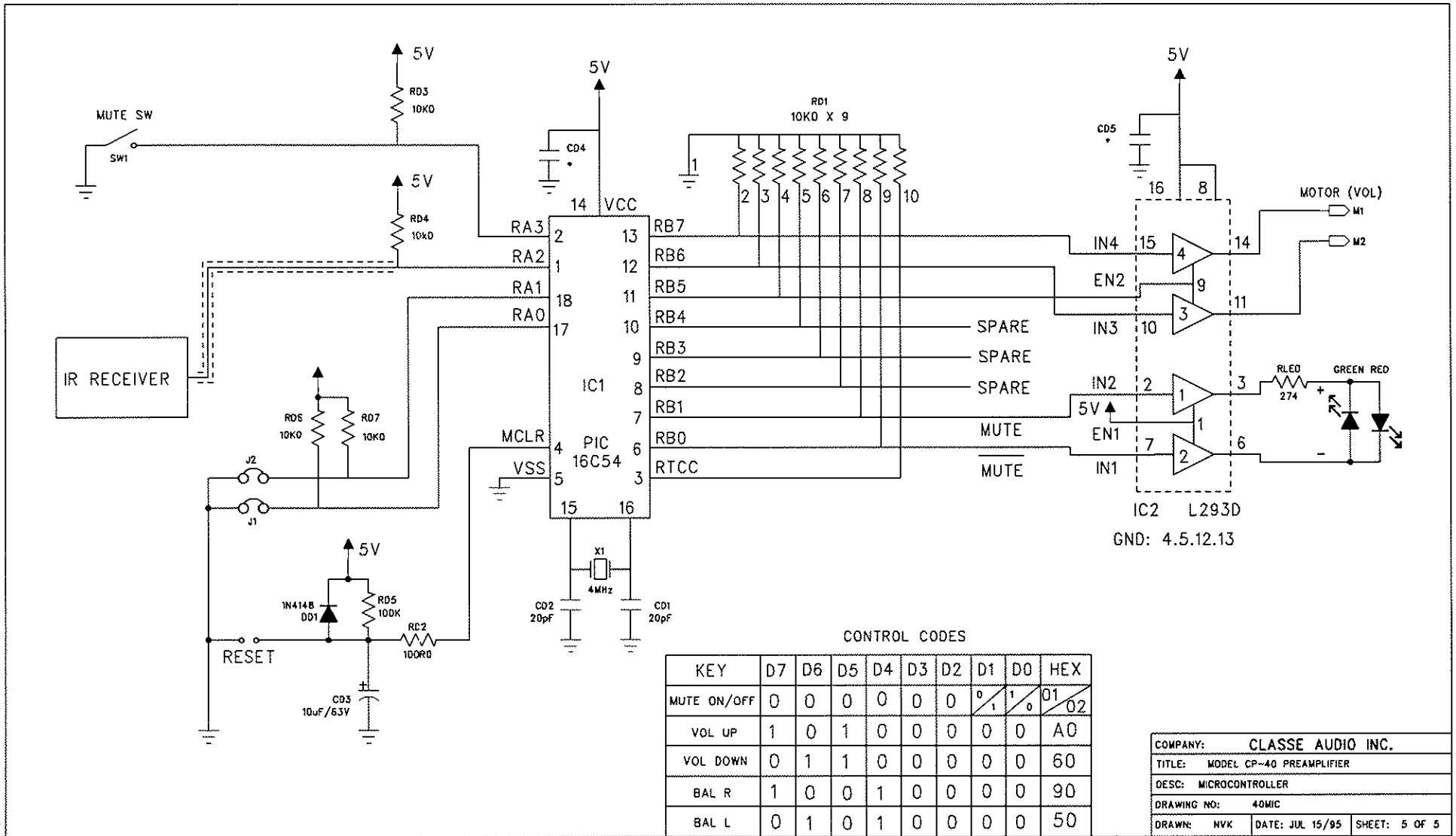


JUMPERS IN 100/120VAC POSITION SHOWN

JUMPERS	A	B	C
100/120 VAC:	IN	OUT	IN
220/240 VAC:	OUT	IN	OUT



COMPANY:	CLASSE AUDIO INC.		
TITLE:	CLASSE CP-40 PREAMPLIFIER		
DESC:	POWER SUPPLY SECTION		
DRAWING NO:	40PSS		
DRAWN:	NVK	DATE:	JUL 15/95 SHEET: 4 OF 5



CONTROL CODES

KEY	D7	D6	D5	D4	D3	D2	D1	D0	HEX
MUTE ON/OFF	0	0	0	0	0	0	0/1	0/1	01/02
VOL UP	1	0	1	0	0	0	0	0	A0
VOL DOWN	0	1	1	0	0	0	0	0	60
BAL R	1	0	0	1	0	0	0	0	90
BAL L	0	1	0	1	0	0	0	0	50

COMPANY: CLASSE AUDIO INC.	
TITLE: MODEL CP-40 PREAMPLIFIER	
DESC: MICROCONTROLLER	
DRAWING NO: 40MIC	
DRAWN: NVK	DATE: JUL 15/95 SHEET: 5 OF 5

**Instruction to converse Classé 20,30,CP-35 and CP-40
to new operating voltage**

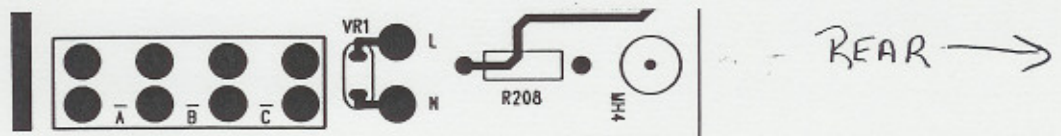
- 1) Unplug unit.
- 2) Remove top cover.
- 3) Change jumpers on right rear corner of PCB as below for new operating voltage.
- 4) Change varistor VR1:

221 for 100V - 120V
441 (or 391) for 220V - 240V

Note: If varistor is not available, remove old one and leave it empty.

- 5) Close top cover.

<u>VOLTAGE</u>	<u>JUMPER (S)</u>
100V - 120V	A, C
220V - 240V	B



← FRONT