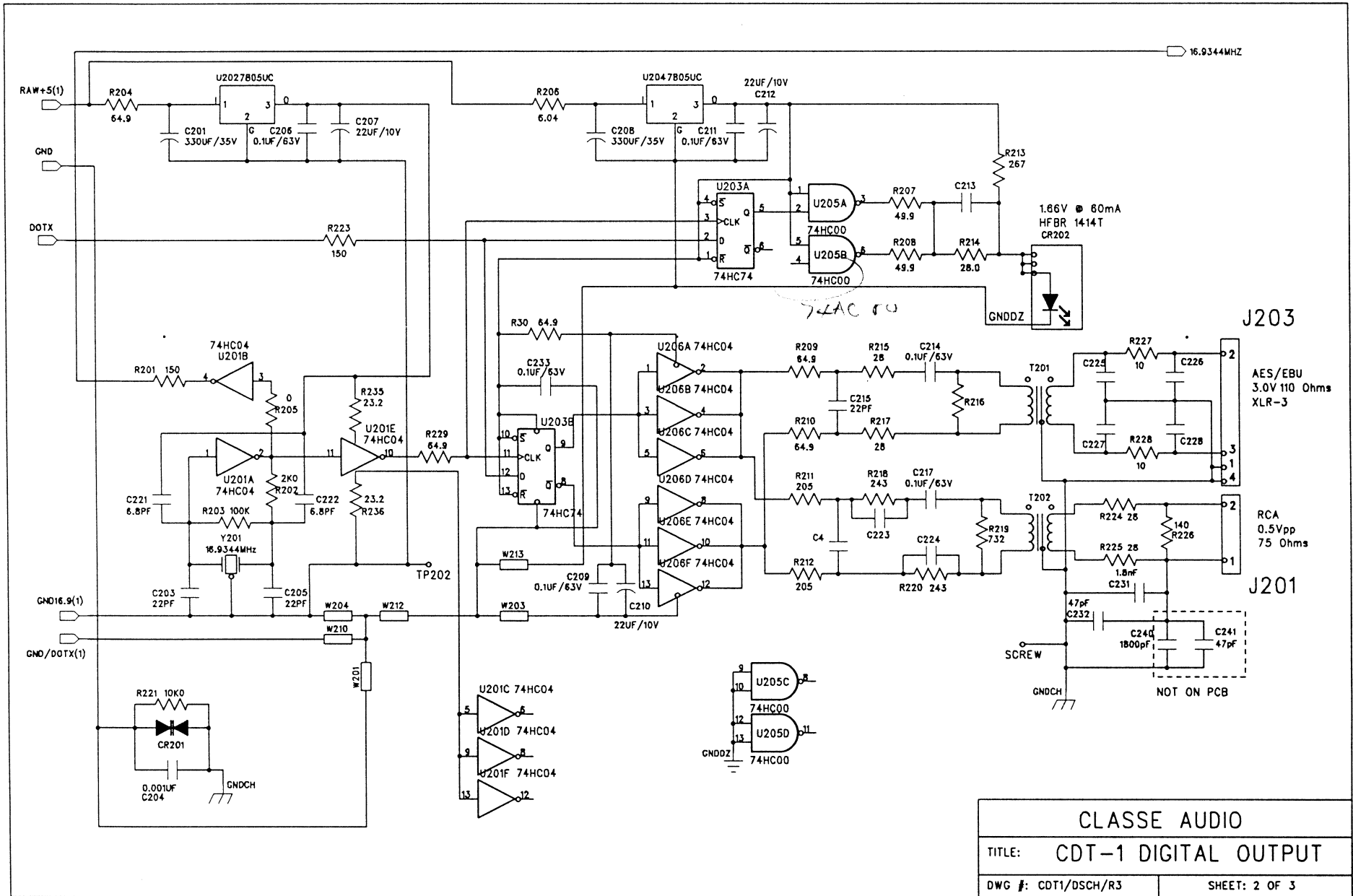
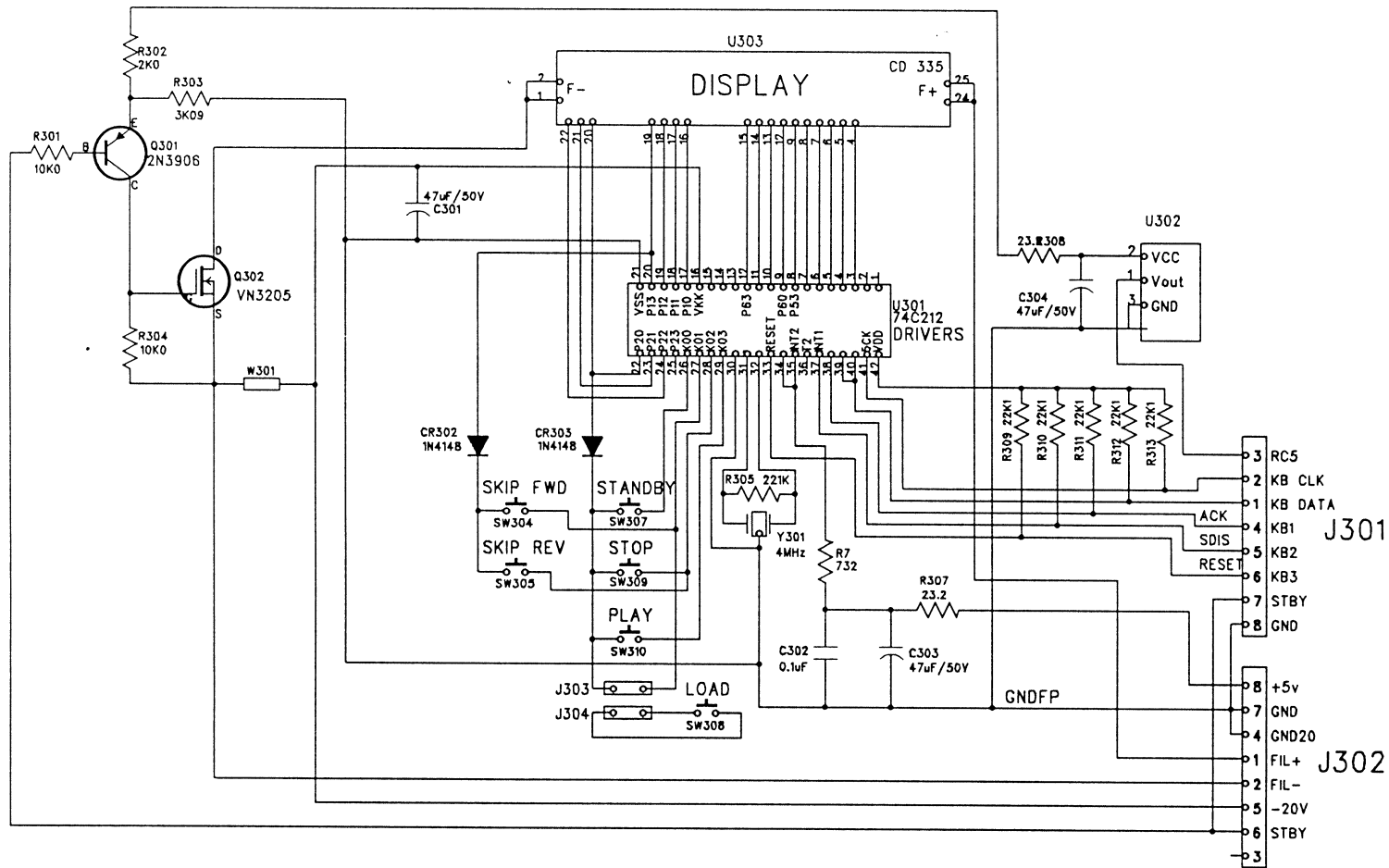


CLASSE AUDIO	
TITLE:	CDT-1 POWER SUPPLY
DWG #:	CDT1/DSCH/R3
SHEET:	1 OF 3





CLASSE AUDIO

TITLE: CDT-1 FRONT PANEL

DWG #: CDT1/DSCH/R3

SHEET: 3 OF 3

INSTRUCTIONS FOR REPLACING THE CD MECHANISMS IN CLASSÉ'S CDT-1, CDP-1, CDP-.5

- 1- Disconnect the unit from the AC line and entirely from the system.
- 2- Put the unit upside down to remove the four Philips screws holding the cover.
- 3- Put the unit right side up and gently slide out the cover towards the rear to access the mechanism.
- 4- Gently slide out the plastic tray that holds the CDs.
CAUTION: As the drawer moves out, the laser mechanism drops down. There are slots on each side to position the laser of the mechanism as it moves. Make sure that the laser assembly does not fall off its tracks.
- 5- Remove the 3 Philips screws that hold the mechanism to the chassis (See figure 1).
- 6- Carefully pull out the 2 connectors from the main PCB and slide back the CD tray.
- 7- Lift the CD mechanism up approximately 1/4 of an inch, and then pull it back very slightly so that the mechanism is completely out of the front panel chassis. Then, remove the mechanism from the unit.
- 8- Install the new mechanism by reversing steps 7 thru 1.
CAUTION: Make certain that the connectors from the mechanism are inserted all the way into their respective receptacles on the main PCB.
- 9- Test unit for correct operation.

INSTRUCTIONS FOR MODIFYING DRAWER SPEED ON CLASSÉ CDT-1, CDP-1 AND CDP-.5

- 1- Disconnect the unit from the AC line and entirely from the system.
- 2- Put the unit upside down to remove the four philips screws holding the cover.
- 3- Put the unit right side up and gently slide out the cover towards the rear to access the mechanism.
- 4- Gently slide out the plastic tray that holds the CDs.
CAUTION: As the drawer moves out, the laser mechanism drops down. There are slots on each side to position the laser of the mechanism as it moves. Make sure that the laser assembly does not fall off its tracks.
- 5- Remove the 3 Philips screws that hold the mechanism to the chassis (See figure 1).
- 6- Carefully pull out the 2 connectors from the main PCB and slide back the CD tray.
- 7- Lift the CD mechanism up approximately 1/4 of an inch, then pull it back very slightly so that the mechanism is completely out of the front panel chassis. Then, remove the mechanism from the unit to access the motor and the PCB at the bottom of the mechanism.
- 8- Disconnect the positive wire (red wire) from the motor.
- 9- Solder this wire to one of the ends of the two resistors (2X 10 Ohms in parallel or 1X 5 Ohms) which are supplied.
- 10- Solder the other end of the resistor to the motor terminal from which the red wire was previously removed.
CAUTION: Make sure that the resistors are soldered as close as possible to the motor terminal to avoid a possible short circuit with the motor case.
- 11- Carefully reconnect the 2 connectors to the main PCB while making sure that they are all the way in.
- 12- Reassemble unit by reversing steps 7 thru 1 and test unit for correct operation.

VOLTAGE CHANGE TO 220/240VAC FOR CDT-1

- 1- Disconnect unit from the AC line and system.
- 2- Remove the top cover. The screws are located on each side of the unit.
- 3- Locate jumpers R101, R102, and R103 which are located at the back of the main board, on the right side when facing the unit.
- 4- Remove jumpers R101 and R102.
- 5- Install a new jumper at position R103.
- 6- Replace top cover.
- 7- Test unit for proper operation.