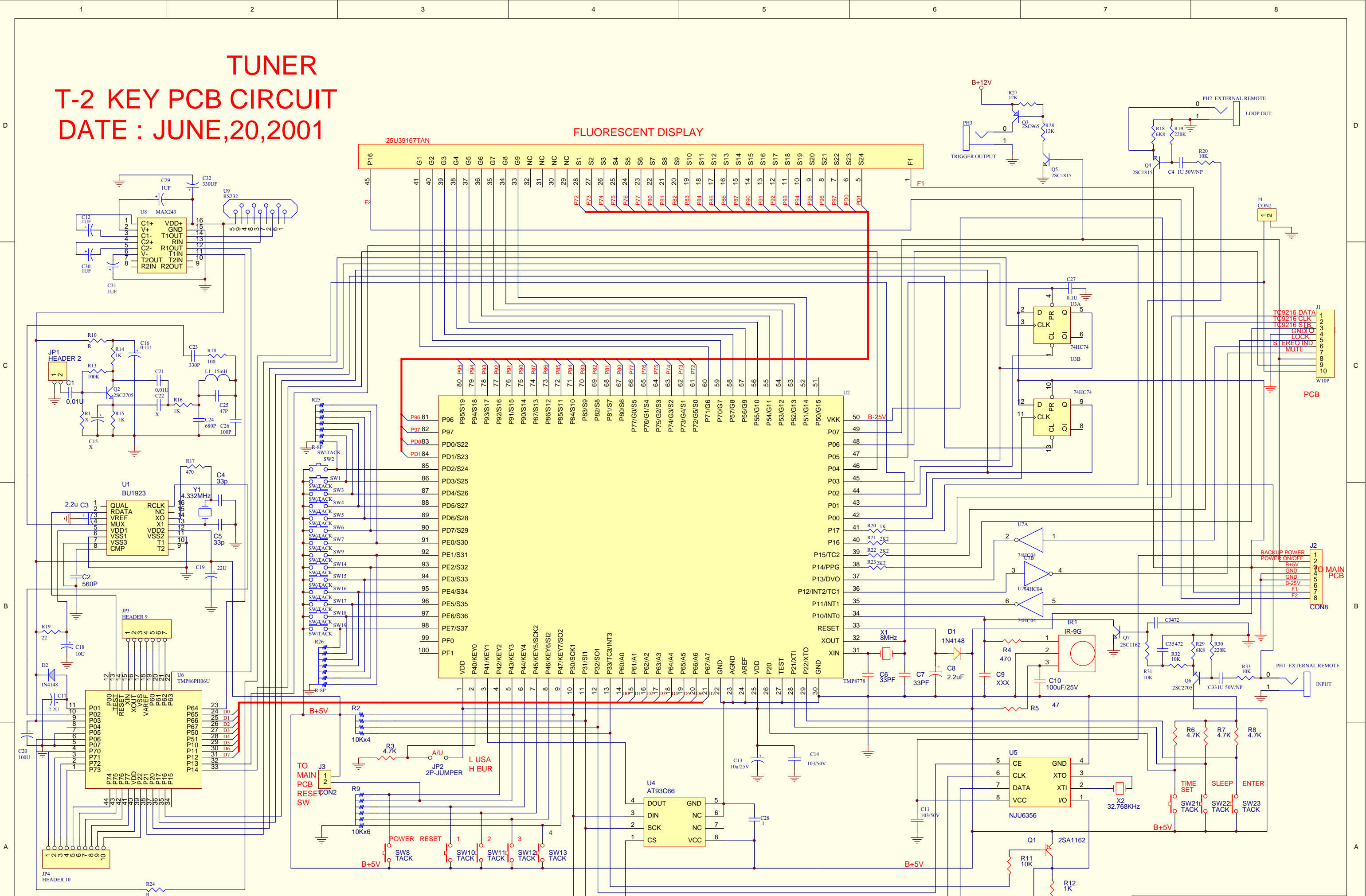


TUNER

T-2 KEY PCB CIRCUIT

DATE : JUNE,20,2001

25U39167TAN FLUORESCENT DISPLAY



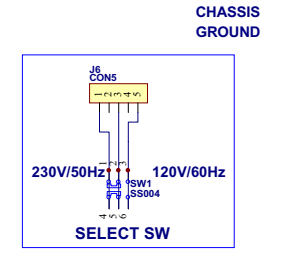
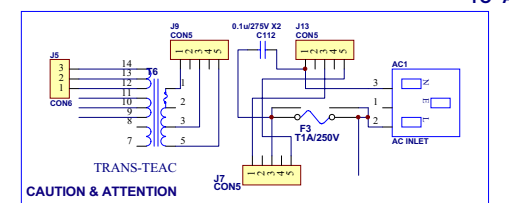
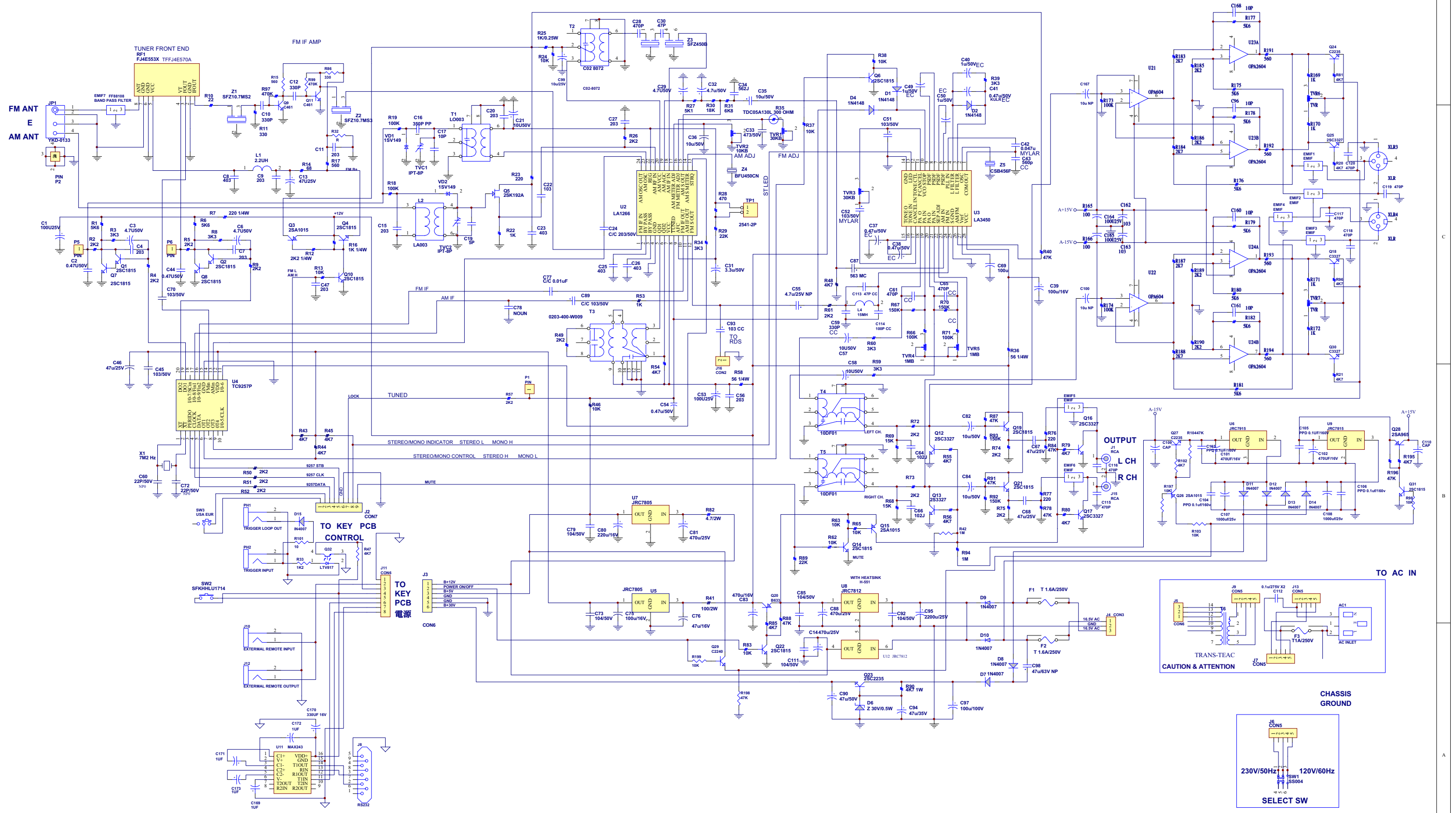
Title		
Size	Number	Revision
A2		
Date:	20-Jun-2001	Sheet of
File:	D:\PROTEL FILES\T3.ddb	Drawn By:

TUNER

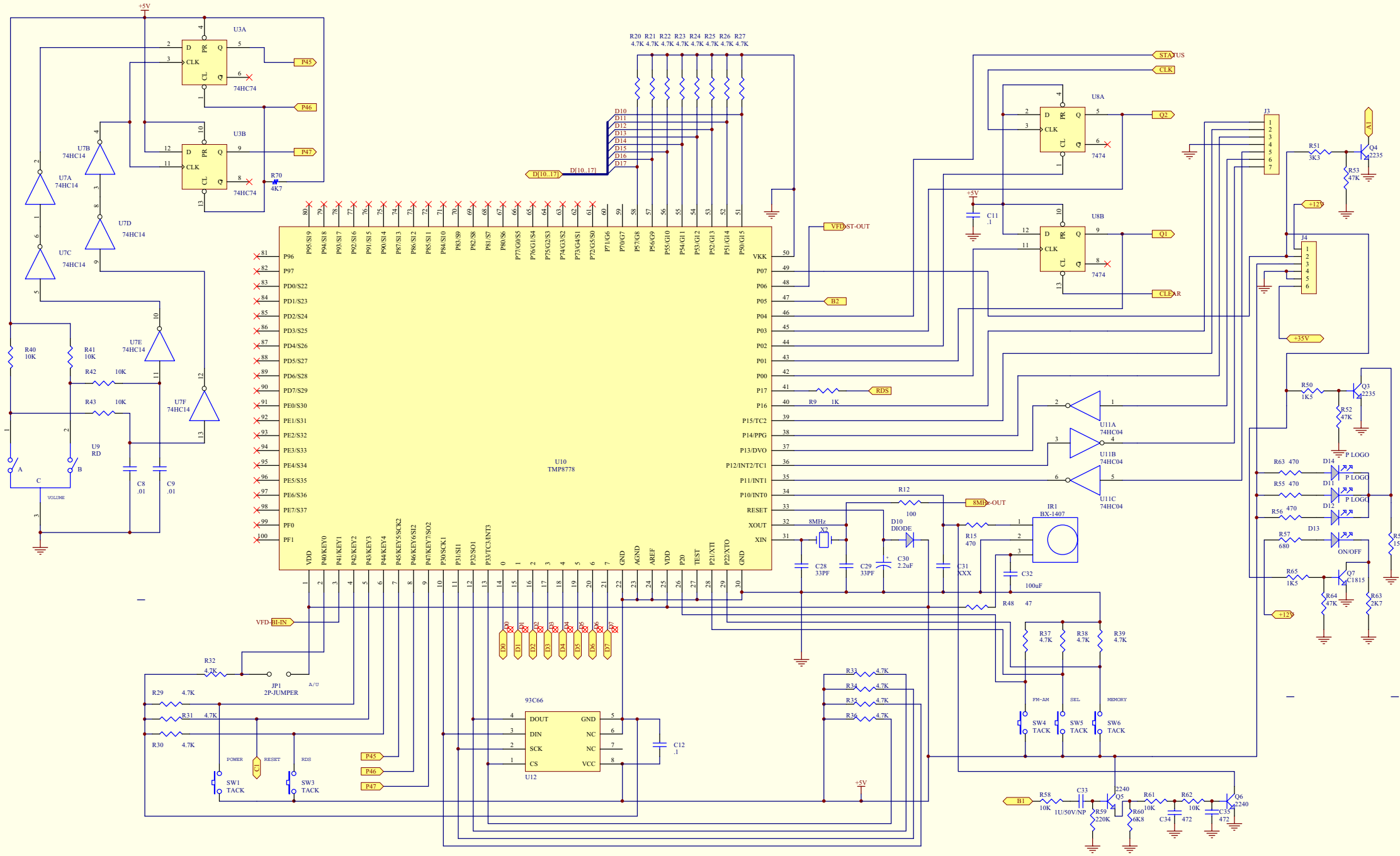
T-3

PCB NO : B4240

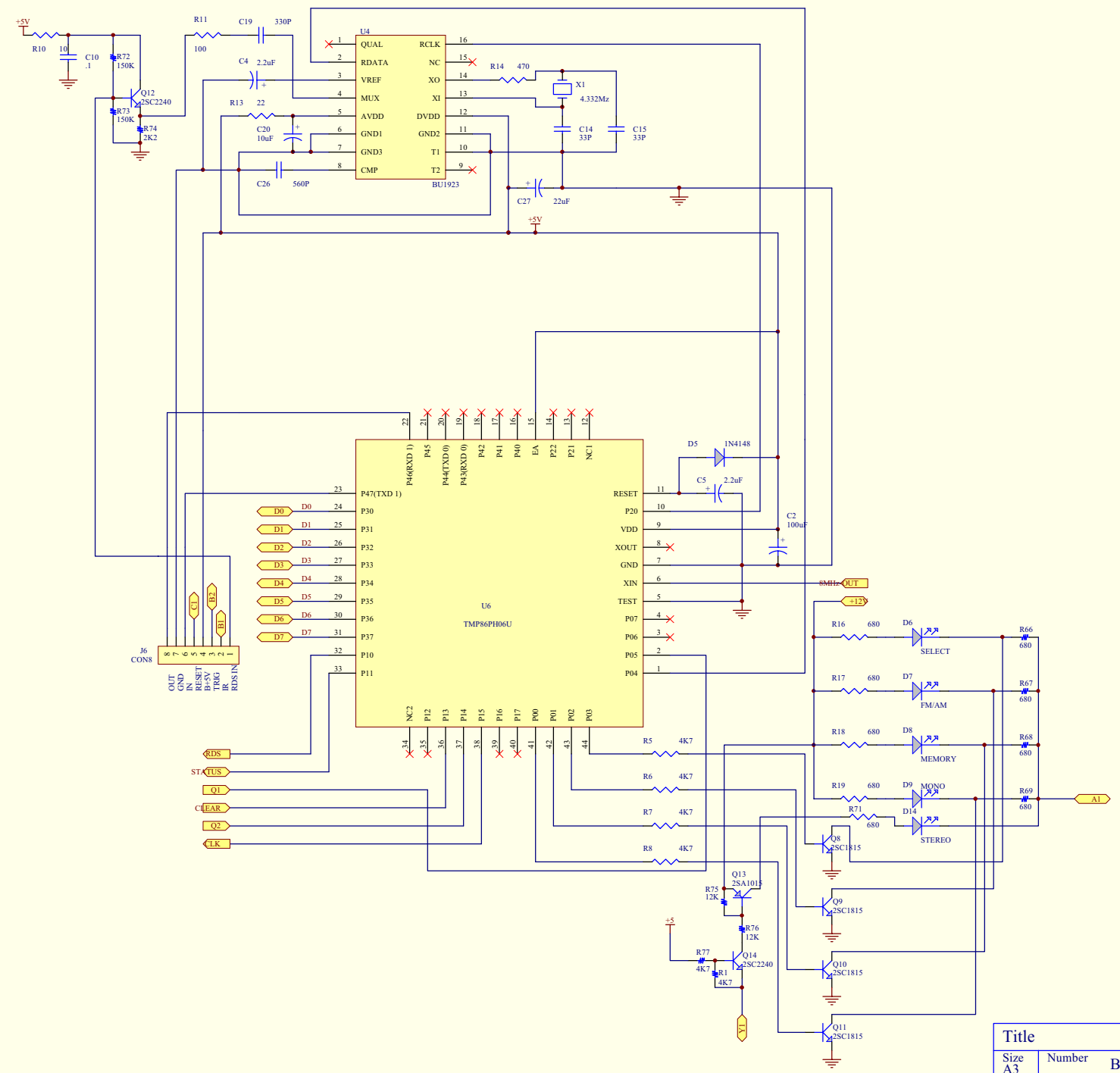
DATE : MARCH.04.2002



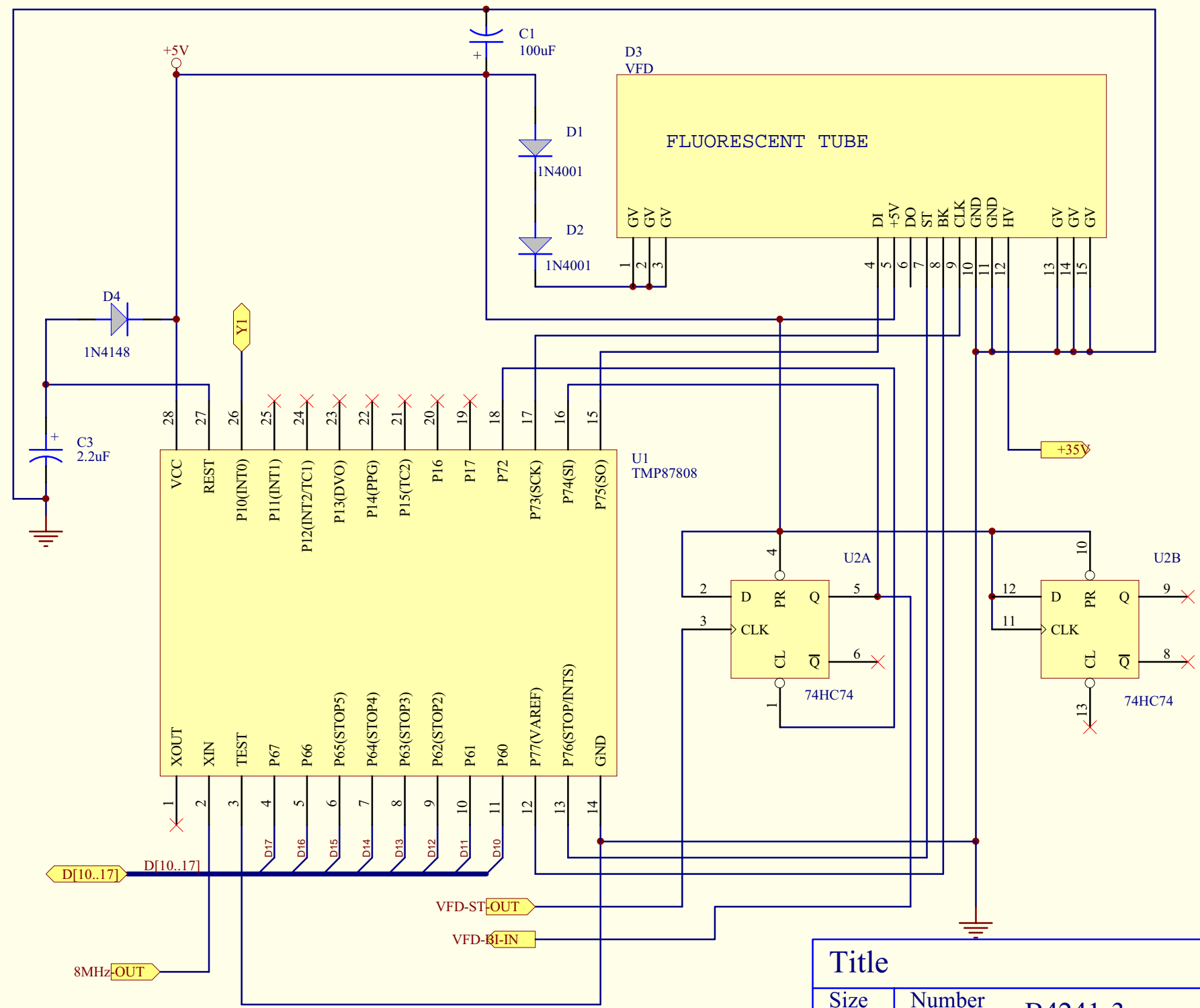
Title		
Size	Number	Revision
A3	B4240	G.L.LIU
Date	04 MAR 2002	Sheet of
File	D:\PROTEL\FILES\T3SINGL	Drawn By
		Alvin Hsieh



Title			
Size	Number	B4241-3	Revision
A3			G L LIU
Date	04 MAR 2002	Sheet of	
File	D:\PROTEL\FILES\T3\SINGL	Drawn By	Alvin Hsieh



Title			
Size	Number	Revision	
A3	B4241-3	G L LIU	
Date	04 MAR 2002	Sheet of	
File	D:\PROTEL\FILES\T3SINGL	Drawn By	Alvin Hsieh



Title			
Size A3	Number B4241-3	Revision G L LIU	
Date 04 MAR 2002	Sheet of		
File D:\PROTEL\FILES\T3SINGL	Drawn By Alvin Hsieh		